



US00D704327S

(12) **United States Design Patent**
Lavoie

(10) **Patent No.:** **US D704,327 S**

(45) **Date of Patent:** **** May 6, 2014**

(54) **GAS MASK WITH THERMAL SENSOR**

D378,610 S * 3/1997 Reischel et al. D24/110.2
D388,872 S * 1/1998 Grannis et al. D24/110.4
6,160,666 A 12/2000 Rallison et al.

(71) Applicant: **BAE Systems Information And
Electronic Systems Integration Inc.,
Nashua, NH (US)**

(Continued)

(72) Inventor: **Barry Lavoie, Lowell, MA (US)**

FOREIGN PATENT DOCUMENTS

(73) Assignee: **BAE Systems Information and
Electronic Systems Integration Inc.,
Nashua, NH (US)**

JP 2011145578 1/2010

OTHER PUBLICATIONS

(**) Term: **14 Years**

Survivair SCBA: Business & Industrial | eBay. (n.d.). Electronics,
Cars, Fashion, Collectibles, Coupons and More Online Shopping |
eBay. Retrieved Oct. 14, 2013, from <http://www.ebay.com/bhp/survivair-scba>.

(21) Appl. No.: **29/468,351**

(Continued)

(22) Filed: **Sep. 30, 2013**

Related U.S. Application Data

Primary Examiner — Ian Simmons

Assistant Examiner — Richelle G Shelton

(74) *Attorney, Agent, or Firm* — Sand & Sebolt

(63) Continuation-in-part of application No. 13/833,172,
filed on Mar. 15, 2013.

(51) **LOC (10) Cl.** **29-02**

(52) **U.S. Cl.**
USPC **D24/110.2**

(58) **Field of Classification Search**
USPC D24/110.1–110.4; D29/103, 110;
128/204.18, 204.21, 204.23, 206.12,
128/206.23, 206.24, 207.12; 348/164;
359/815; 600/537; 607/140

See application file for complete search history.

(57) **CLAIM**

The ornamental design for gas mask with thermal sensor, as
shown and described.

DESCRIPTION

FIG. 1 is a front elevation view of the gas mask with thermal
sensor of the present invention.

FIG. 2 is a left side elevation view of the gas mask with
thermal sensor.

FIG. 3 is a right side elevation view of the gas mask with
thermal sensor.

FIG. 4 is a top plan view of the gas mask with thermal sensor;
and,

FIG. 5 is a bottom plan view of the gas mask with thermal
sensor.

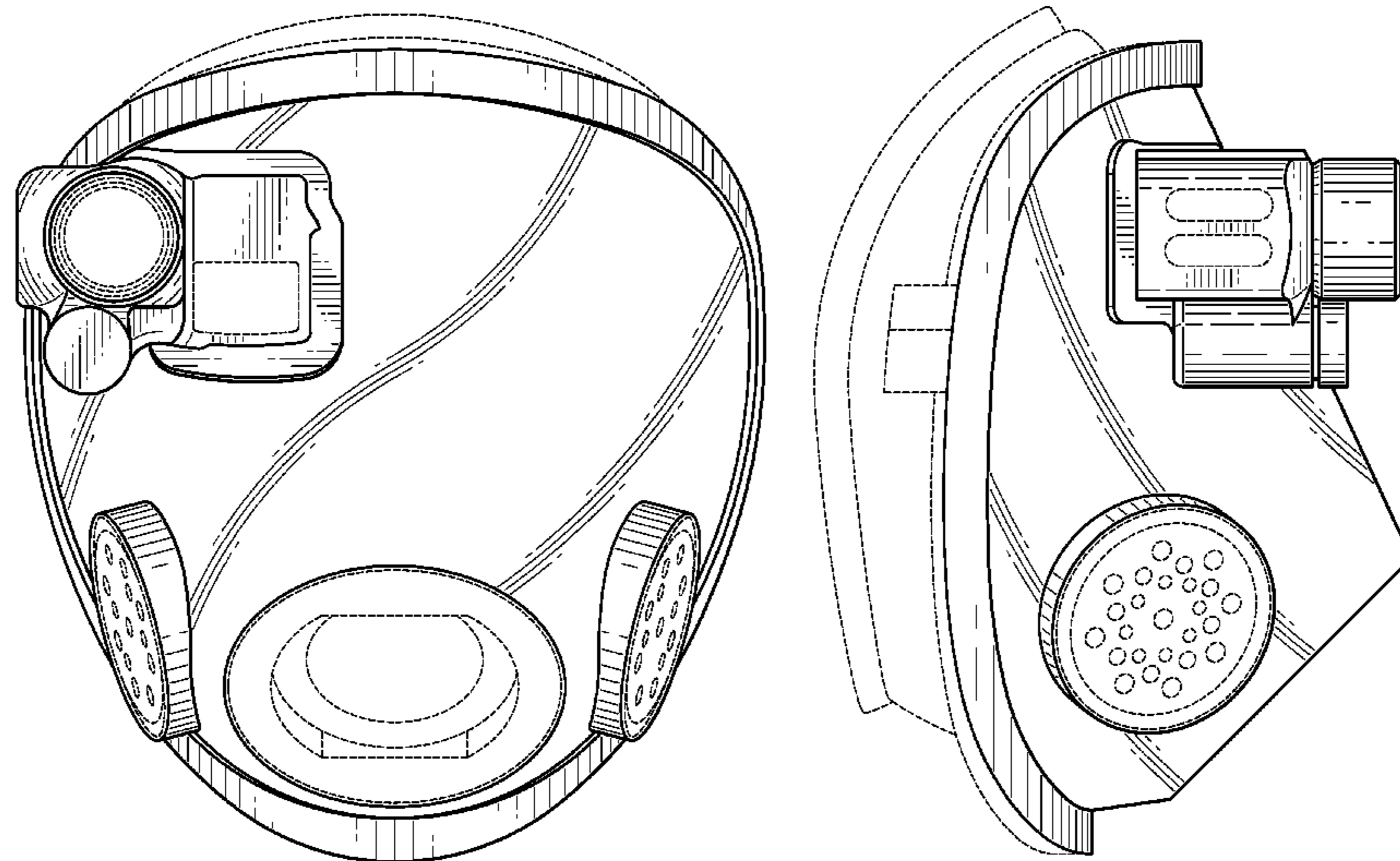
The broken line showing of portions of the article immedi-
ately adjacent the shaded areas is included for the purpose of
illustrating environmental structure with the lines themselves
and the areas within forming no part of the claimed design.

(56) **References Cited**

U.S. PATENT DOCUMENTS

3,202,150 A * 8/1965 Miller 128/205.12
D249,368 S * 9/1978 Watkins, Jr. D24/110.2
4,653,879 A 3/1987 Filipovich
4,655,562 A 4/1987 Kreitzer et al.
5,089,914 A * 2/1992 Prescott 359/815
5,200,827 A 4/1993 Hanson et al.
5,379,140 A 1/1995 Michel et al.
5,581,271 A 12/1996 Kraemer

1 Claim, 5 Drawing Sheets



(56)

References Cited

U.S. PATENT DOCUMENTS

| | | | | | |
|-----------|------|---------|-------------------|-------|------------|
| 6,328,031 | B1 * | 12/2001 | Tischer et al. | | 128/201.25 |
| 6,606,114 | B1 * | 8/2003 | Gordon et al. | | 348/64 |
| 6,717,737 | B1 | 4/2004 | Haglund | | |
| 6,859,327 | B2 * | 2/2005 | Del Bianco et al. | | 359/630 |
| 6,900,777 | B1 | 5/2005 | Hebert et al. | | |
| 7,170,058 | B2 * | 1/2007 | Miyano et al. | | 250/330 |
| 7,245,273 | B2 | 7/2007 | Dickerson et al. | | |
| 7,369,174 | B2 * | 5/2008 | Olita et al. | | 348/373 |
| 7,460,304 | B1 * | 12/2008 | Epstein et al. | | 359/618 |
| 7,969,383 | B2 | 6/2011 | Eberl et al. | | |

OTHER PUBLICATIONS

OES Products Group. (n.d.). OES Products Group. Retrieved Oct. 14, 2013, from <http://www.theoesgroup.com/>.

Air Soft Extreme. (n.d.). Air Soft Extreme. Retrieved Oct. 14, 2013, from www.airsoftextreme.com/store/index.php?main_page=product_info&cPath=254_671&products_id=6793&zenid=osl8ng6c6pmdvk5be62n0dem50.

MSA MSA Ultra Elite(TM) SCBA Respirator, S—Full Face Respirators—4AFU9|10084690—Grainger Industrial Supply. (n.d.). Grainger Industrial Supply—MRO Supplies, MRO Equipment, Tools & Solutions. Retrieved Oct. 14, 2013, from <http://www.grainger.com/Grainger/MSA-Full-Face-Respirator-4AFU9>.

Dräger FPS-COM-PLUS. (n.d.). Home. Retrieved Oct. 14, 2013, from http://www.draeger.com/sites/enus_us/Pages/Oil-Gas-Industry/Draeger-FPS-COM-PLUS.aspx.

Arayem Trade—Scott Sabre self contained breathing apparatus. (n.d.). Arayem Trade—Home. Retrieved Oct. 14, 2013, from http://arayemtrade.com/sabre_self_contained_breathing_apparatus.

Paul Ridden, “World First GPS Goggles With Head Mounted Display,” Wearable Electronics, Oct. 8, 2010.

* cited by examiner

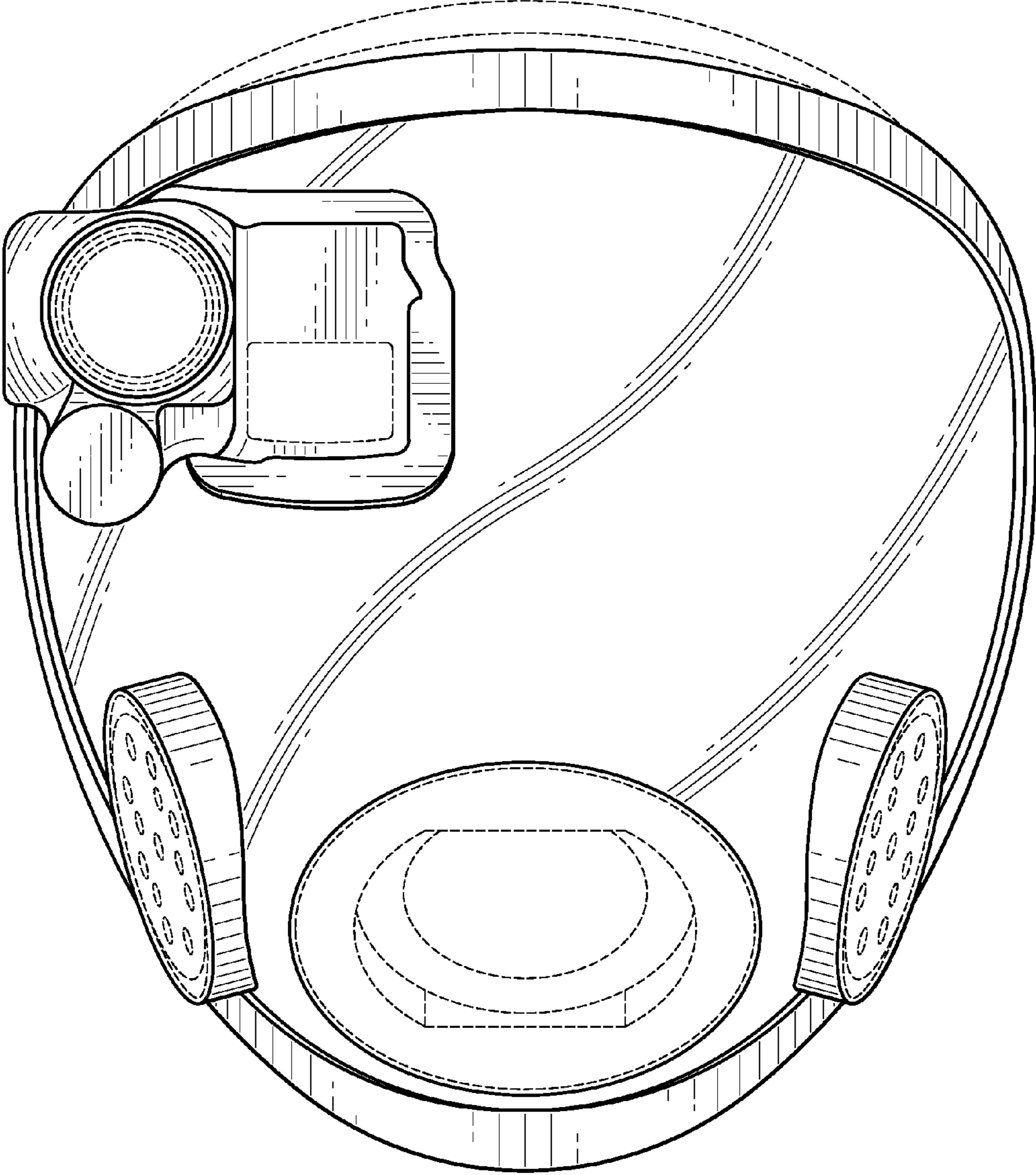


FIG-1

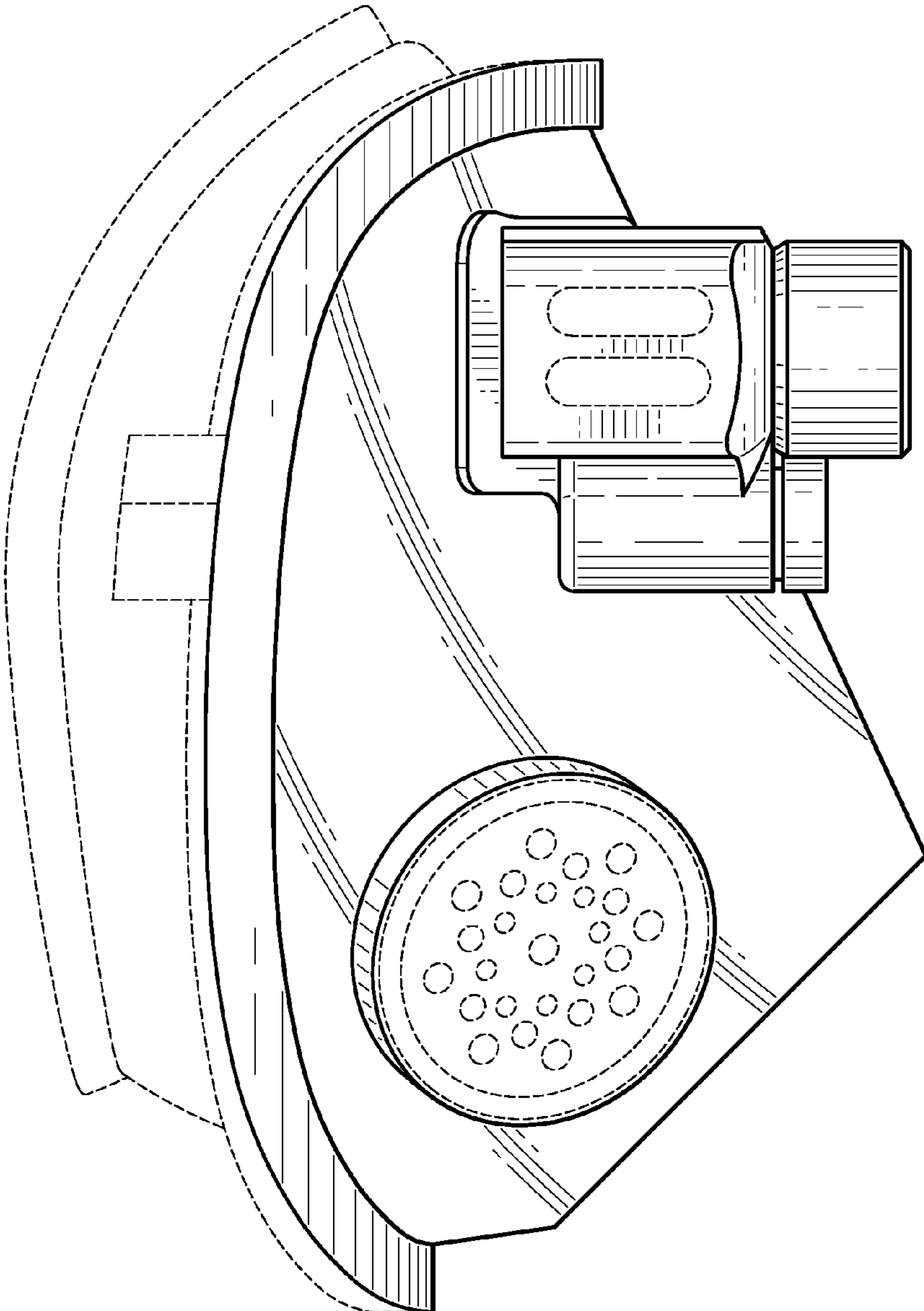


FIG-2

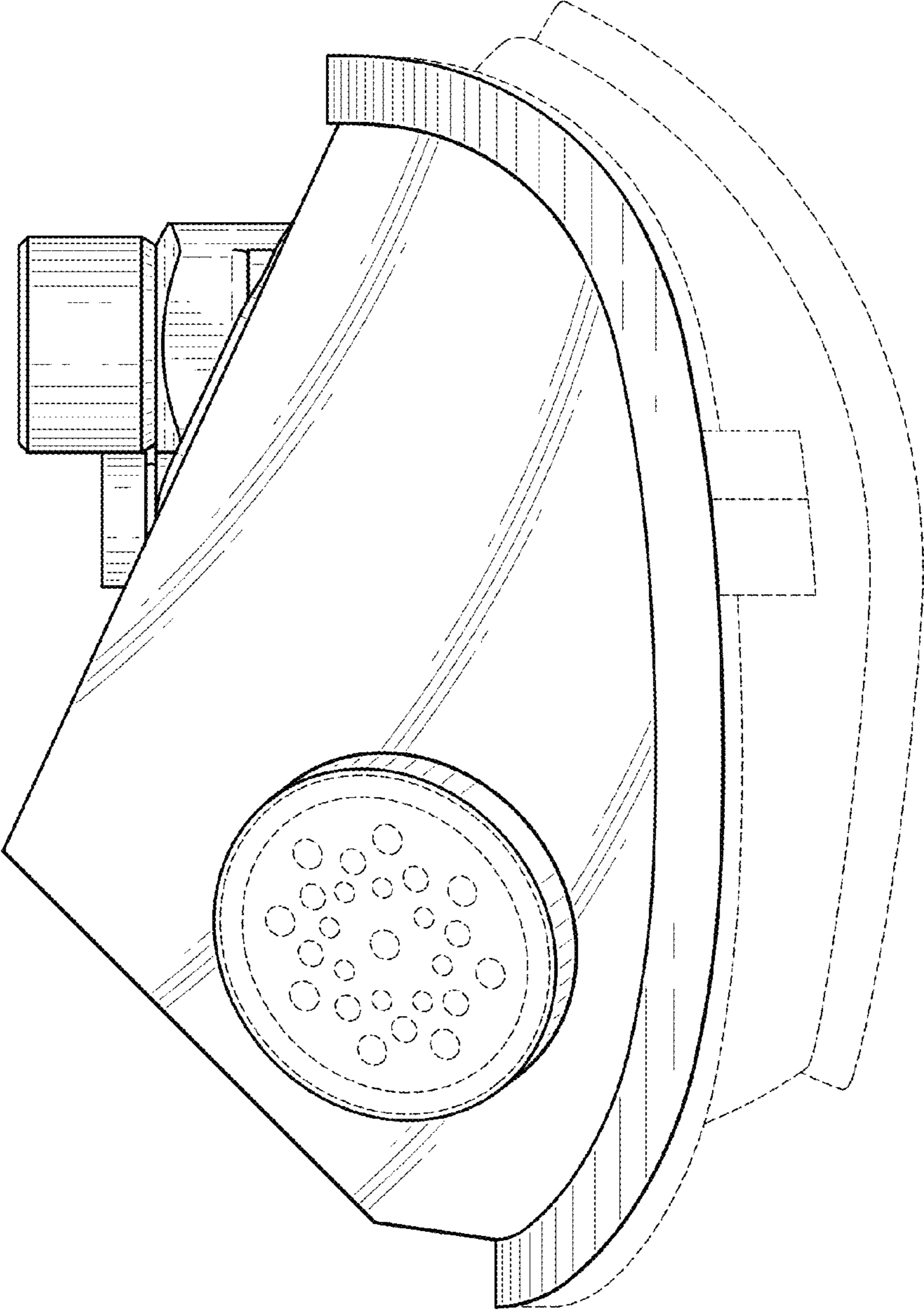


FIG-3

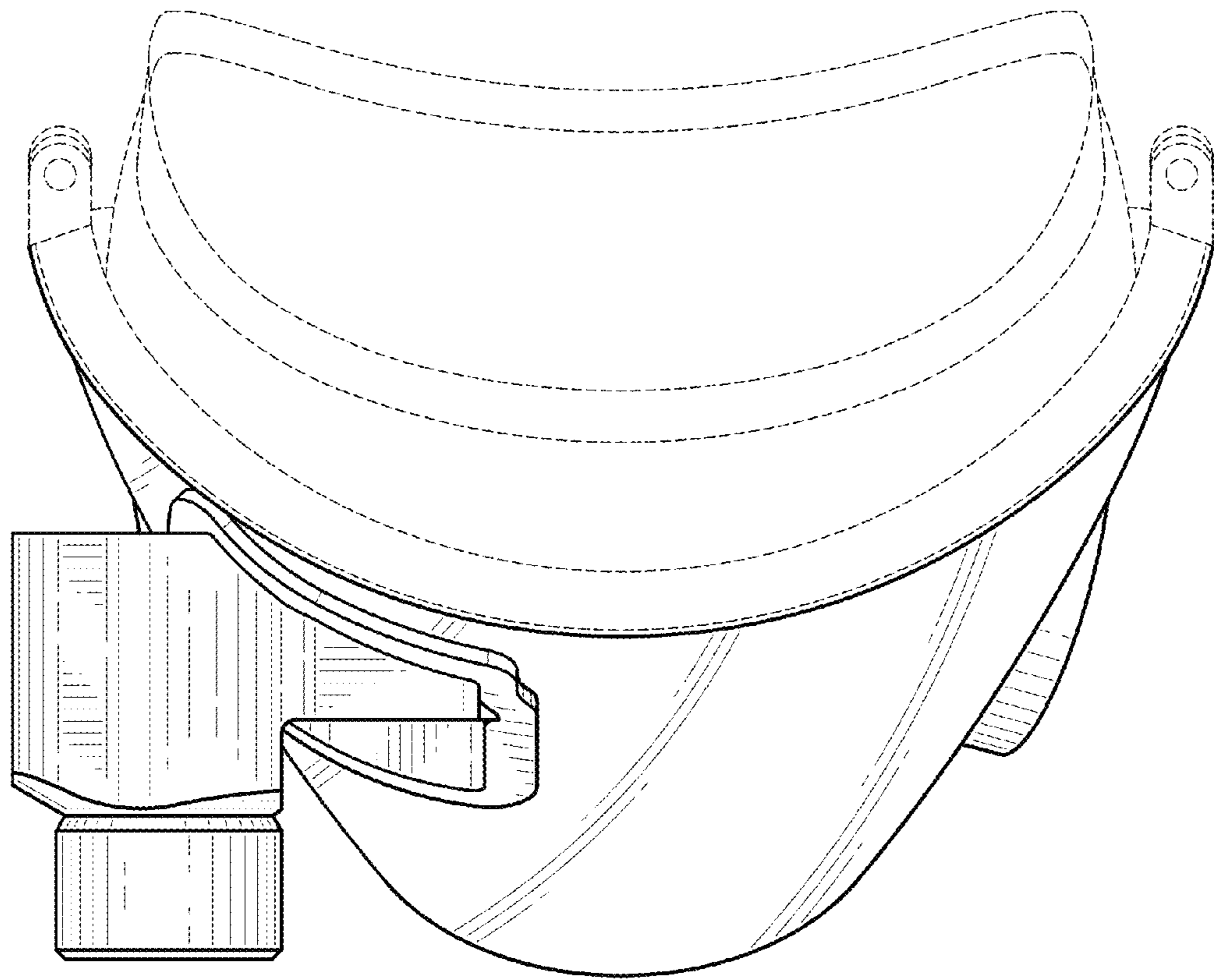


FIG-4

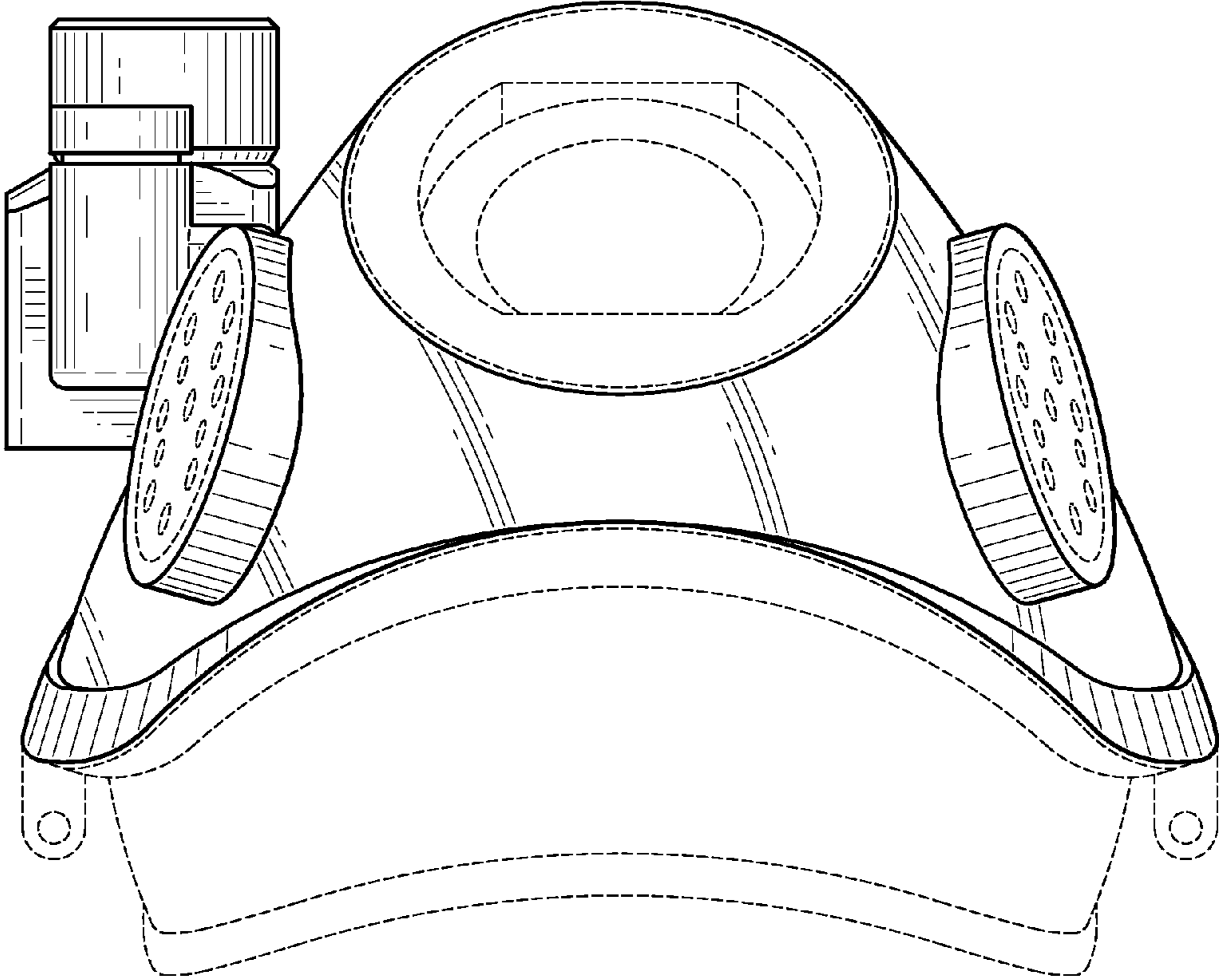


FIG-5