



US00D704324S

(12) **United States Design Patent**  
**Wang**

(10) **Patent No.:** **US D704,324 S**

(45) **Date of Patent:** **\*\* May 6, 2014**

(54) **FAN BLADE BRACKET**

(75) Inventor: **Cliff Wang**, Taichung (TW)

(73) Assignee: **Air Cool Industrial Co., Ltd.**, Taichung (TW)

(\*\*) Term: **14 Years**

(21) Appl. No.: **29/425,048**

(22) Filed: **Jun. 19, 2012**

(51) **LOC (10) Cl.** ..... **23-04**

(52) **U.S. Cl.**  
USPC ..... **D23/411**

(58) **Field of Classification Search**

CPC ..... F04D 25/088; F04D 29/34; F04D 29/322;  
F04D 29/384; F01D 5/3015; F01D 5/323;  
F01D 5/30; F01D 25/28; F05D 2250/70;  
F05D 2240/80; F24F 2221/14; B63H 1/20;  
F21V 21/104; F21V 33/0096  
USPC ..... D23/411-414, 324, 331, 343, 385,  
D23/370-384, 387, 499; D8/323, 327, 349,  
D8/354, 373, 380-387, 394, 397, 398;  
D11/78.1, 86; 16/265, 382, 388, 389;  
392/364; 248/188, 243, 4, 398; 310/91,  
310/348; 416/5, 170 R, 214 R, 184, 206,  
416/207, 210 R, 220 R, 244 R, 248

See application file for complete search history.

(56) **References Cited**

**U.S. PATENT DOCUMENTS**

2,058,341 A \* 10/1936 Mink ..... 16/265  
D178,201 S \* 7/1956 Meierjohan ..... D8/327  
D280,972 S \* 10/1985 Leotta ..... D8/331  
5,454,144 A \* 10/1995 Rupprechter ..... 16/382  
5,603,142 A \* 2/1997 Dubach et al. .... 16/247  
D411,094 S \* 6/1999 Schultz ..... D8/343  
D411,095 S \* 6/1999 Schultz ..... D8/343  
D411,797 S \* 7/1999 Schultz ..... D8/343

D416,468 S \* 11/1999 Schultz ..... D8/343  
D416,780 S \* 11/1999 Schultz ..... D8/343  
D421,799 S \* 3/2000 Zuege ..... D23/411  
6,049,946 A \* 4/2000 Cress et al. .... 16/240  
D442,847 S \* 5/2001 Schultz et al. .... D8/343  
D442,848 S \* 5/2001 Schultz et al. .... D8/343  
D462,005 S \* 8/2002 Nakamaru ..... D8/343  
D464,556 S \* 10/2002 Laabs et al. .... D8/343  
D480,798 S \* 10/2003 Huang ..... D23/411  
D512,139 S \* 11/2005 Hidalgo ..... D23/377  
D514,216 S \* 1/2006 Hidalgo ..... D23/377  
D522,129 S \* 5/2006 Hidalgo ..... D23/411  
D525,700 S \* 7/2006 Ertze ..... D23/411  
D532,104 S \* 11/2006 Pickett ..... D23/411  
D551,753 S \* 9/2007 Ertze ..... D23/411  
D568,983 S \* 5/2008 Pan ..... D23/411  
D579,097 S \* 10/2008 Hidalgo ..... D23/377  
D579,098 S \* 10/2008 Hidalgo ..... D23/377  
D581,512 S \* 11/2008 Hidalgo ..... D23/411  
D599,460 S \* 9/2009 Yang ..... D23/377

(Continued)

*Primary Examiner* — Susan Bennett Hattan

*Assistant Examiner* — Marie Fast Horse

(74) *Attorney, Agent, or Firm* — Ming Chow; Sinorica, LLC

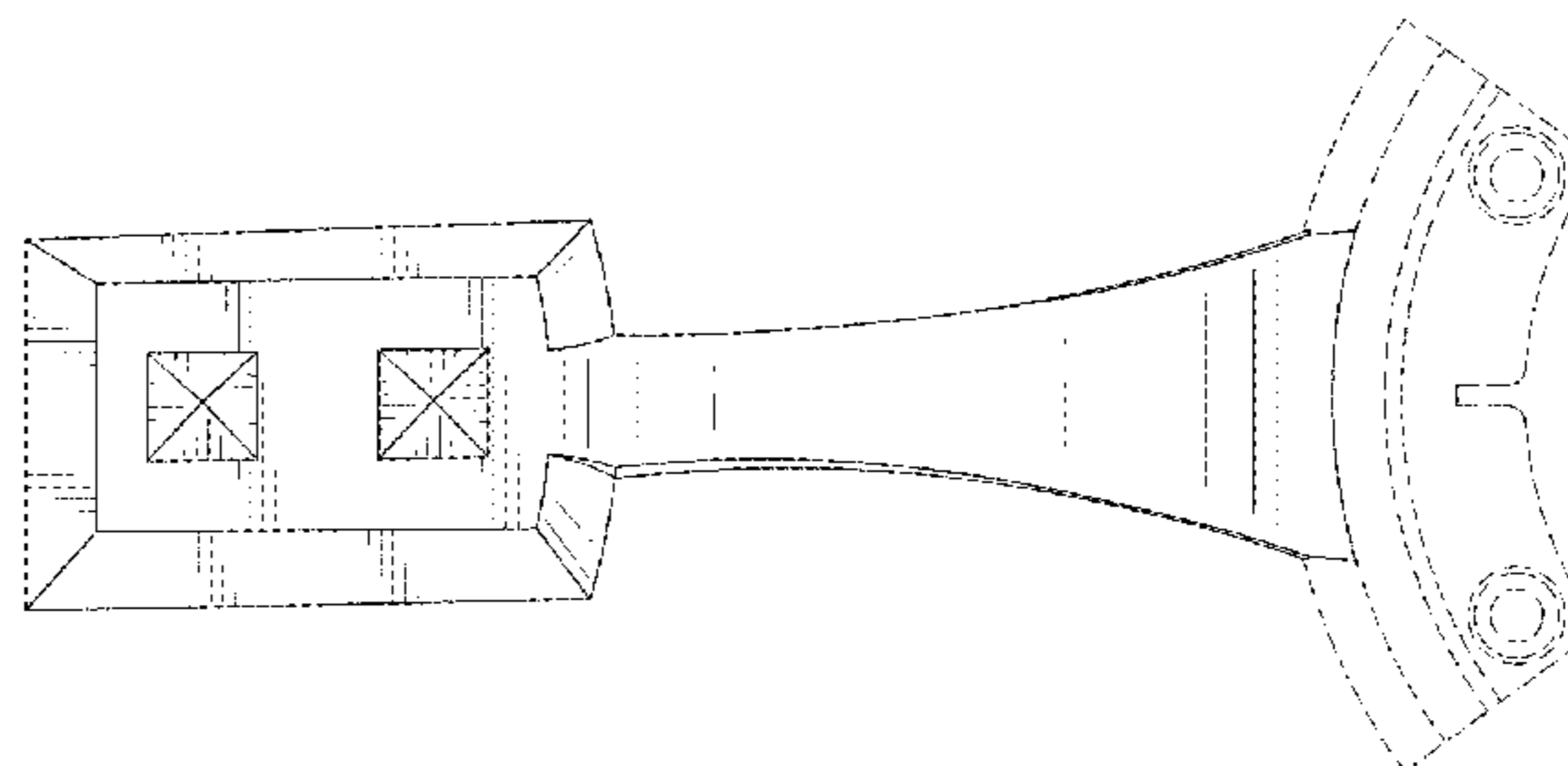
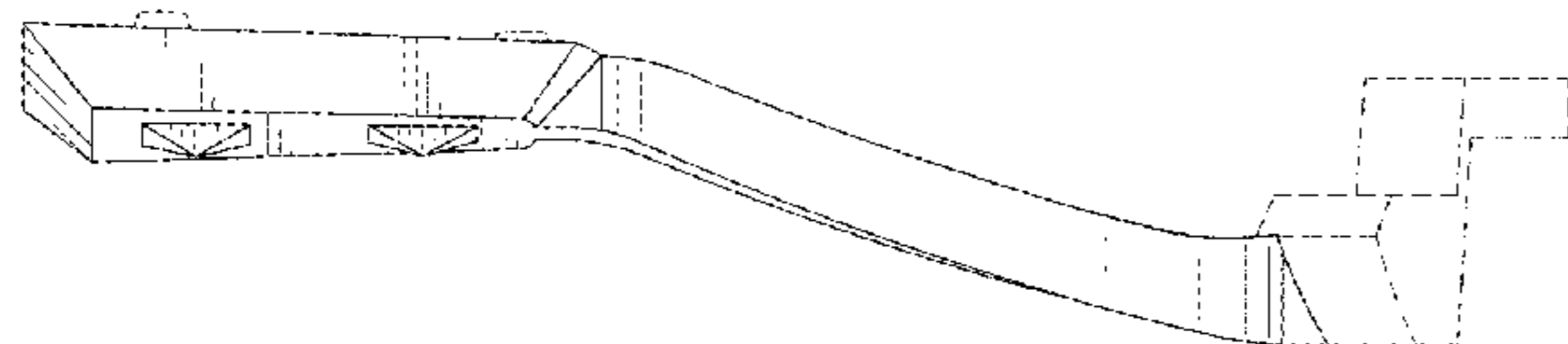
(57) **CLAIM**

I claim the ornamental design for a fan blade bracket, as shown and described.

**DESCRIPTION**

FIG. 1 is a front perspective view of a fan blade bracket showing my new design;  
FIG. 2 is a front elevational view thereof;  
FIG. 3 is a rear elevational view thereof.  
FIG. 4 is a left side elevational view thereof;  
FIG. 5 is a right side elevational view thereof;  
FIG. 6 is a top plan view thereof; and,  
FIG. 7 is a bottom plan view thereof.  
The broken lines in the drawings depict environmental subject matter only and form no part of the claimed design.

**1 Claim, 4 Drawing Sheets**



(56)

**References Cited**

U.S. PATENT DOCUMENTS

D599,469 S \* 9/2009 Yang ..... D23/411  
D599,901 S \* 9/2009 Yang ..... D23/411  
D627,054 S \* 11/2010 Pan ..... D23/411

D671,202 S \* 11/2012 Searle ..... D23/377  
D677,193 S \* 3/2013 MacDonald ..... D11/78.1  
D699,337 S \* 2/2014 Wang ..... D23/385  
2009/0246028 A1 \* 10/2009 Richardson ..... 416/210 R

\* cited by examiner

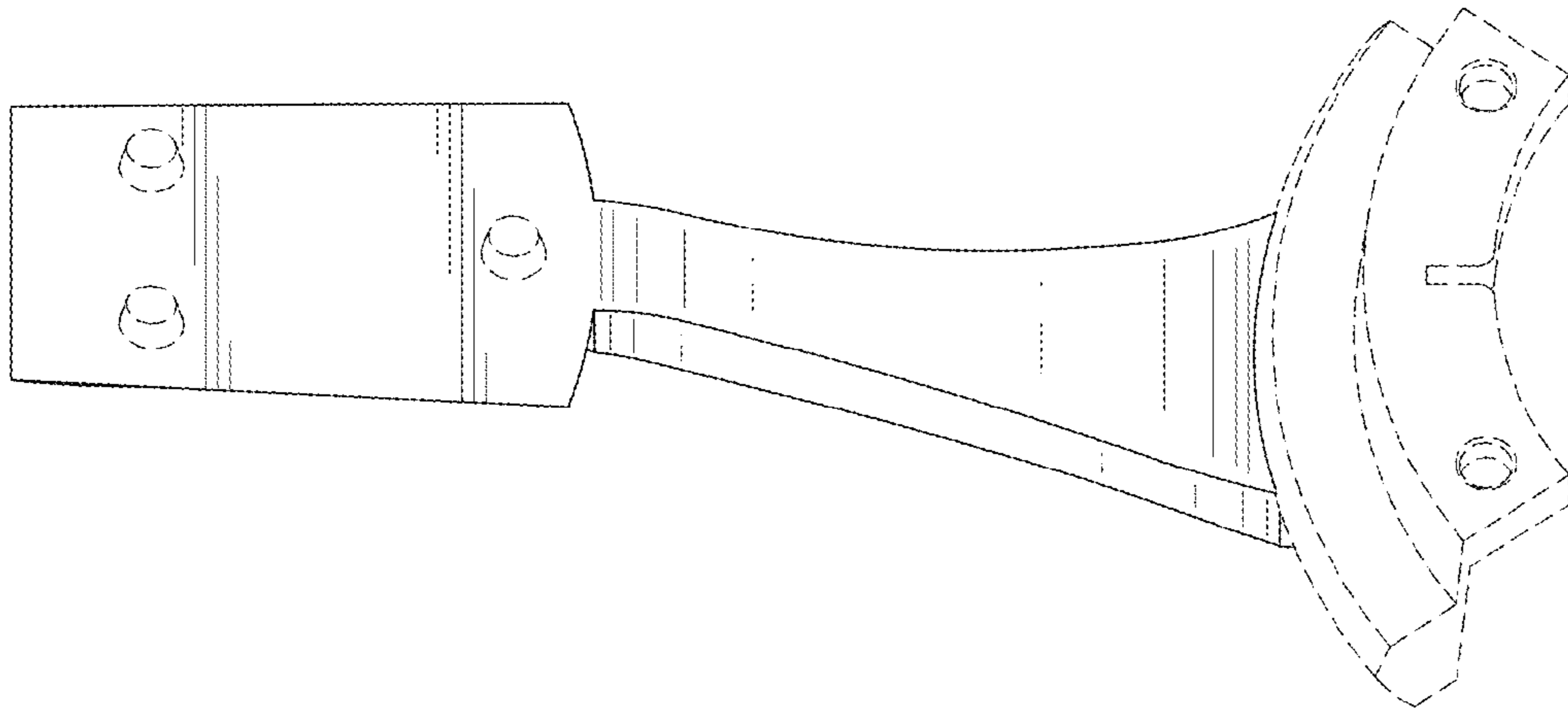


FIG. 1

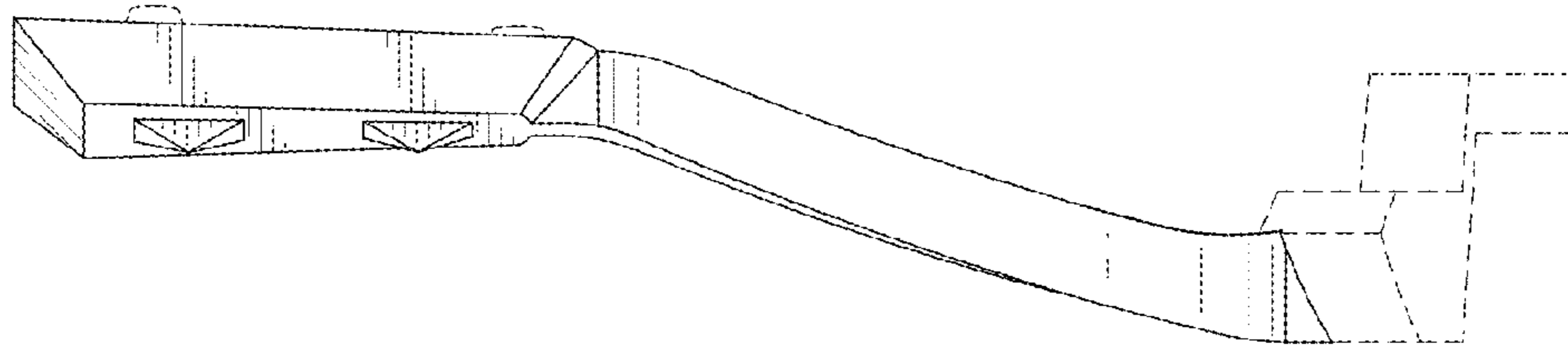


FIG. 2

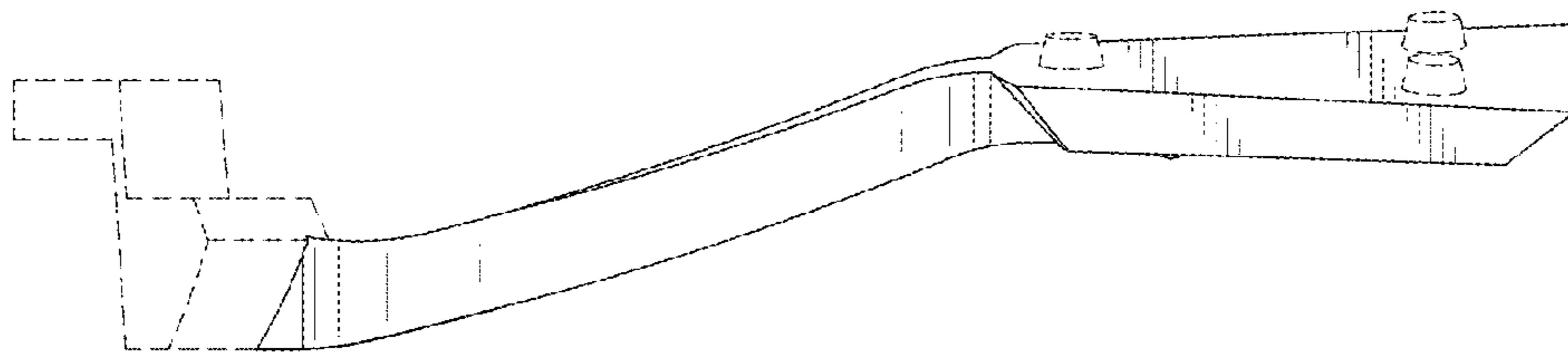


FIG. 3

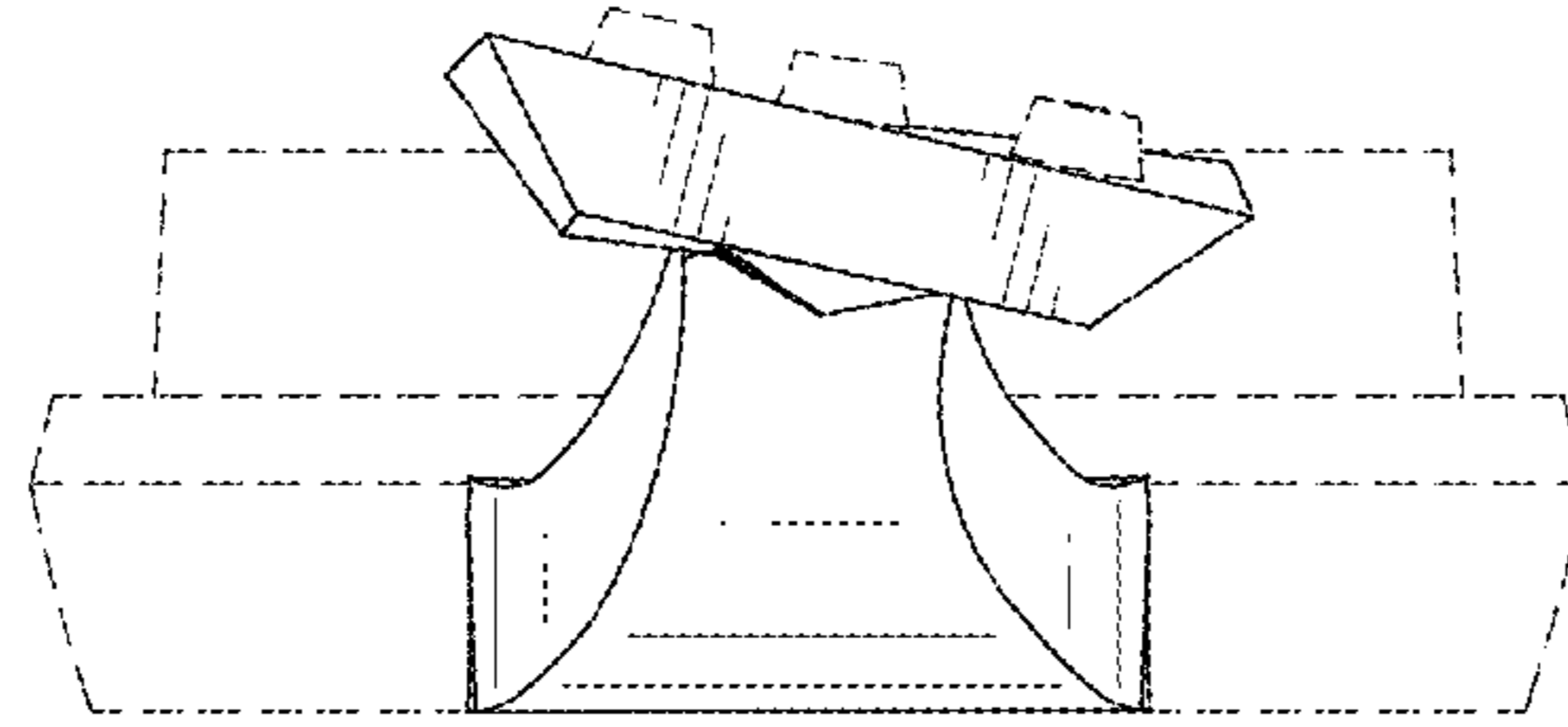


FIG. 4

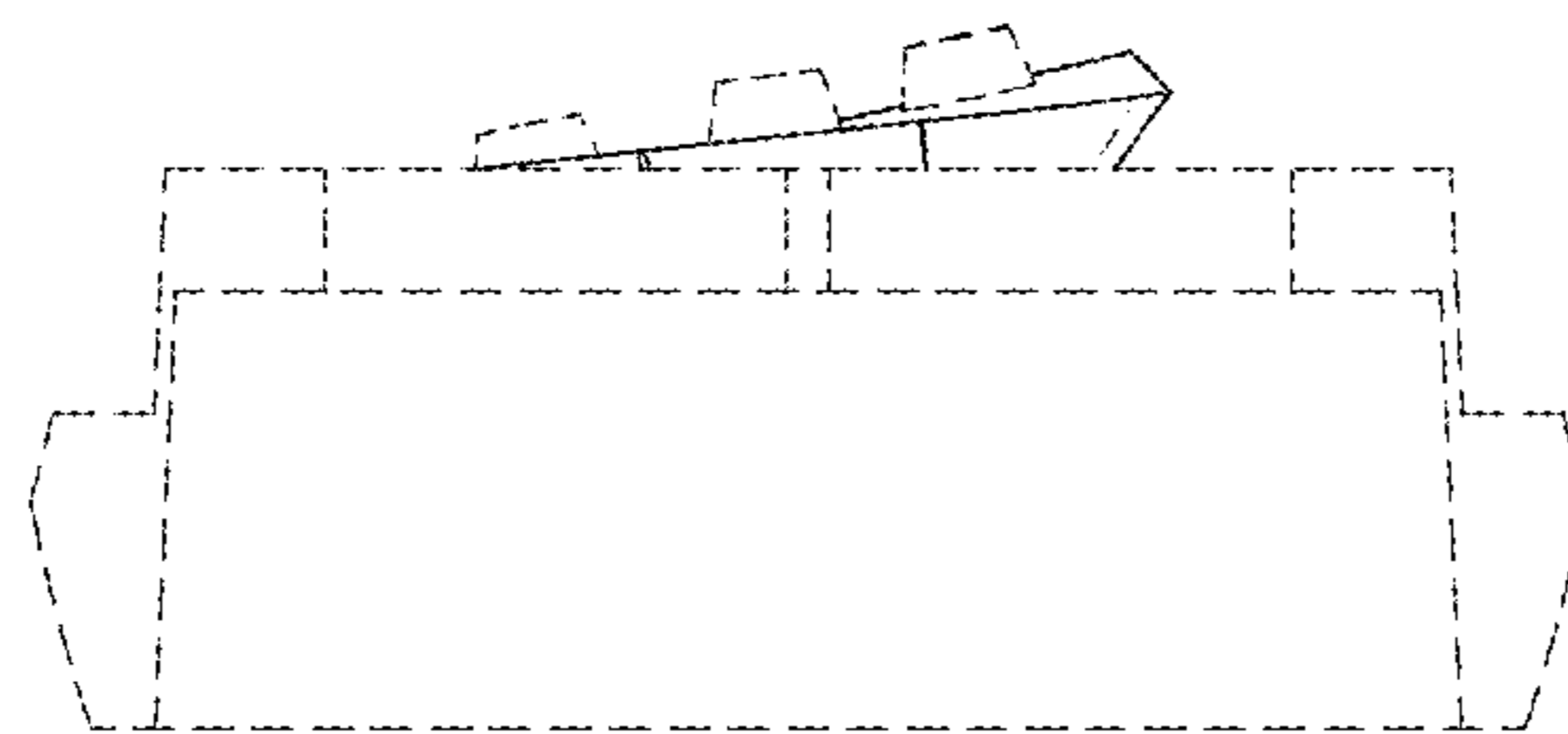


FIG. 5

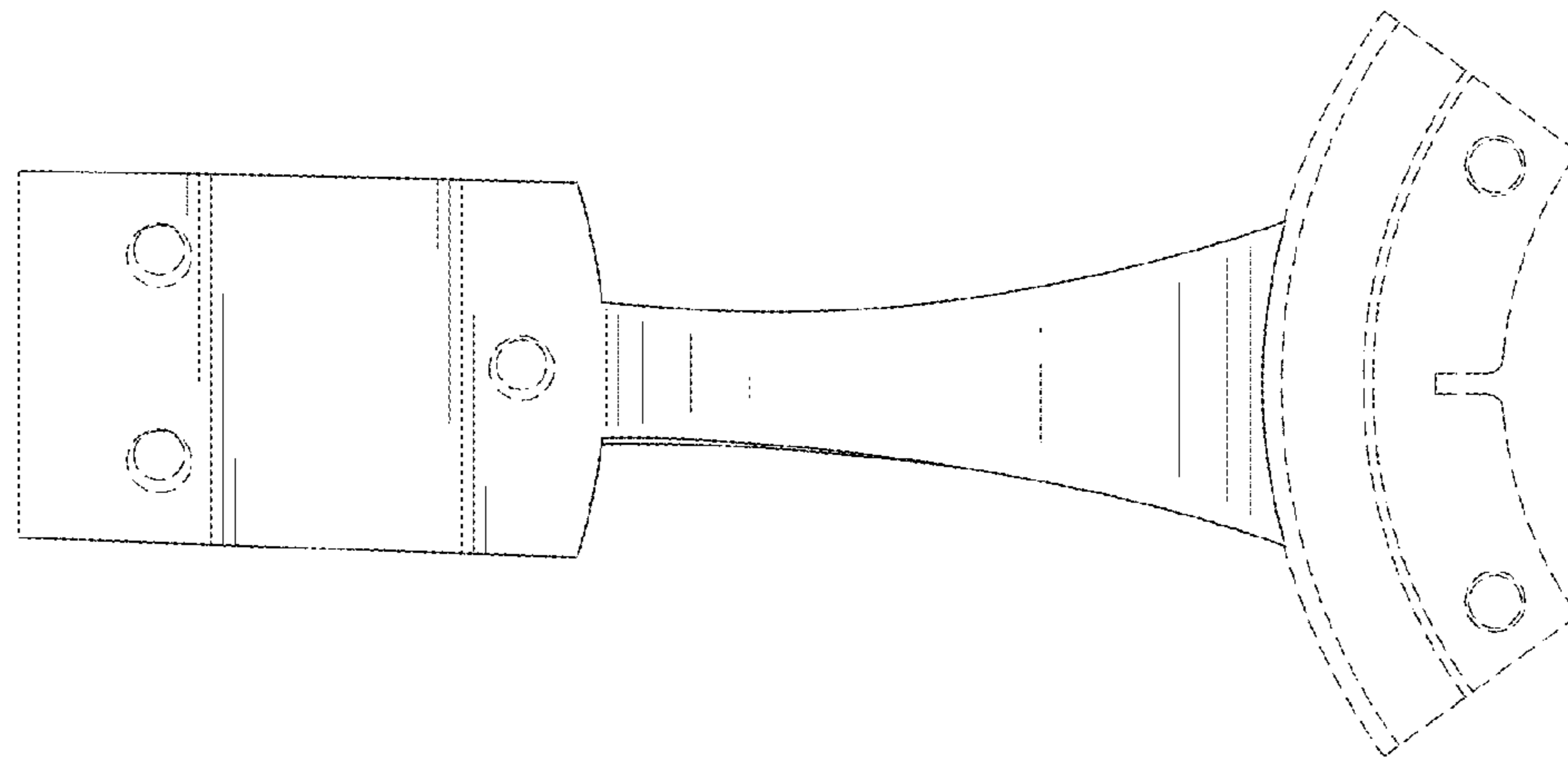


FIG. 6

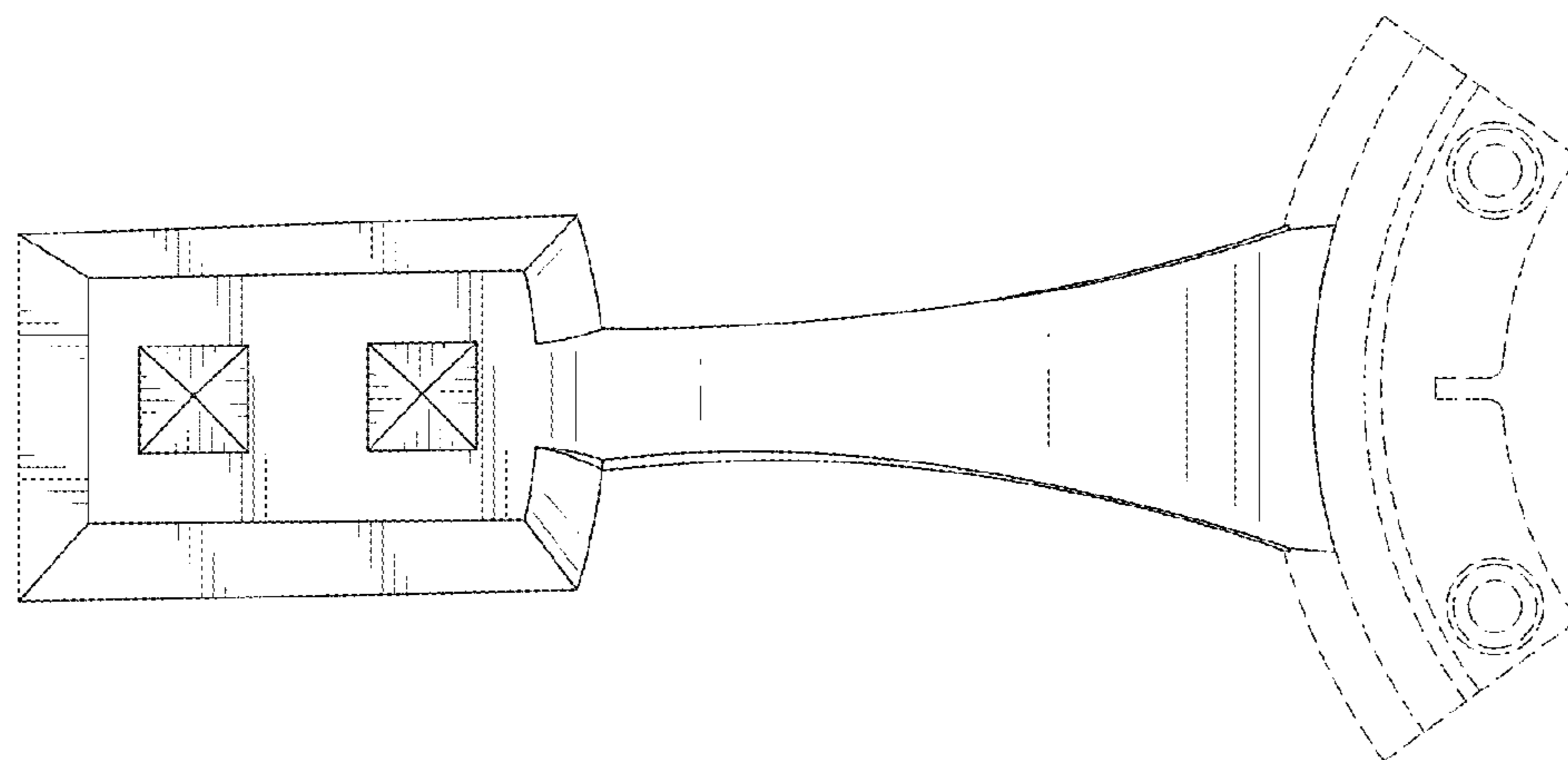


FIG. 7