



US00D704321S

(12) **United States Design Patent**  
**Jardine et al.**

(10) **Patent No.:** **US D704,321 S**

(45) **Date of Patent:** **\*\* May 6, 2014**

(54) **APPARATUS FOR FILTERING AIR**

(71) Applicants: **Kip Jardine**, Orem, UT (US); **Jared Jardine**, Orem, UT (US)

(72) Inventors: **Kip Jardine**, Orem, UT (US); **Jared Jardine**, Orem, UT (US)

(\*\*) Term: **14 Years**

(21) Appl. No.: **29/447,062**

(22) Filed: **Feb. 28, 2013**

(51) **LOC (10) Cl.** ..... **23-04**

(52) **U.S. Cl.**  
USPC ..... **D23/365**

(58) **Field of Classification Search**  
USPC ..... D23/355-366, 352, 369, 332, 333, 335,  
D23/336, 342, 351; 422/120, 122; 55/356,  
55/473, 504; 96/97; 261/DIG. 17, DIG. 65,  
261/DIG. 88, DIG. 31

See application file for complete search history.

(56) **References Cited**

**U.S. PATENT DOCUMENTS**

3,757,495	A	*	9/1973	Sievers	.....	96/121
D278,847	S	*	5/1985	Hoyle et al.	.....	D23/351
D313,062	S	*	12/1990	Palmer	.....	D23/207
D348,727	S	*	7/1994	Sawyer	.....	D23/355

D367,525	S	*	2/1996	Gruebel	.....	D23/351
D421,108	S	*	2/2000	Esty et al.	.....	D23/355
D435,096	S	*	12/2000	Meeks et al.	.....	D23/356
D468,005	S	*	12/2002	Bailey	.....	D23/328
6,623,538	B2	*	9/2003	Thakur et al.	.....	55/385.2
D547,849	S	*	7/2007	Francisquini	.....	D23/351
D653,742	S	*	2/2012	Satou	.....	D23/351
D657,037	S	*	4/2012	Lo	.....	D23/364
D675,723	S	*	2/2013	Garcia	.....	D23/393

\* cited by examiner

*Primary Examiner* — David Muller

(74) *Attorney, Agent, or Firm* — Morriss O'Bryant Compagni, PC

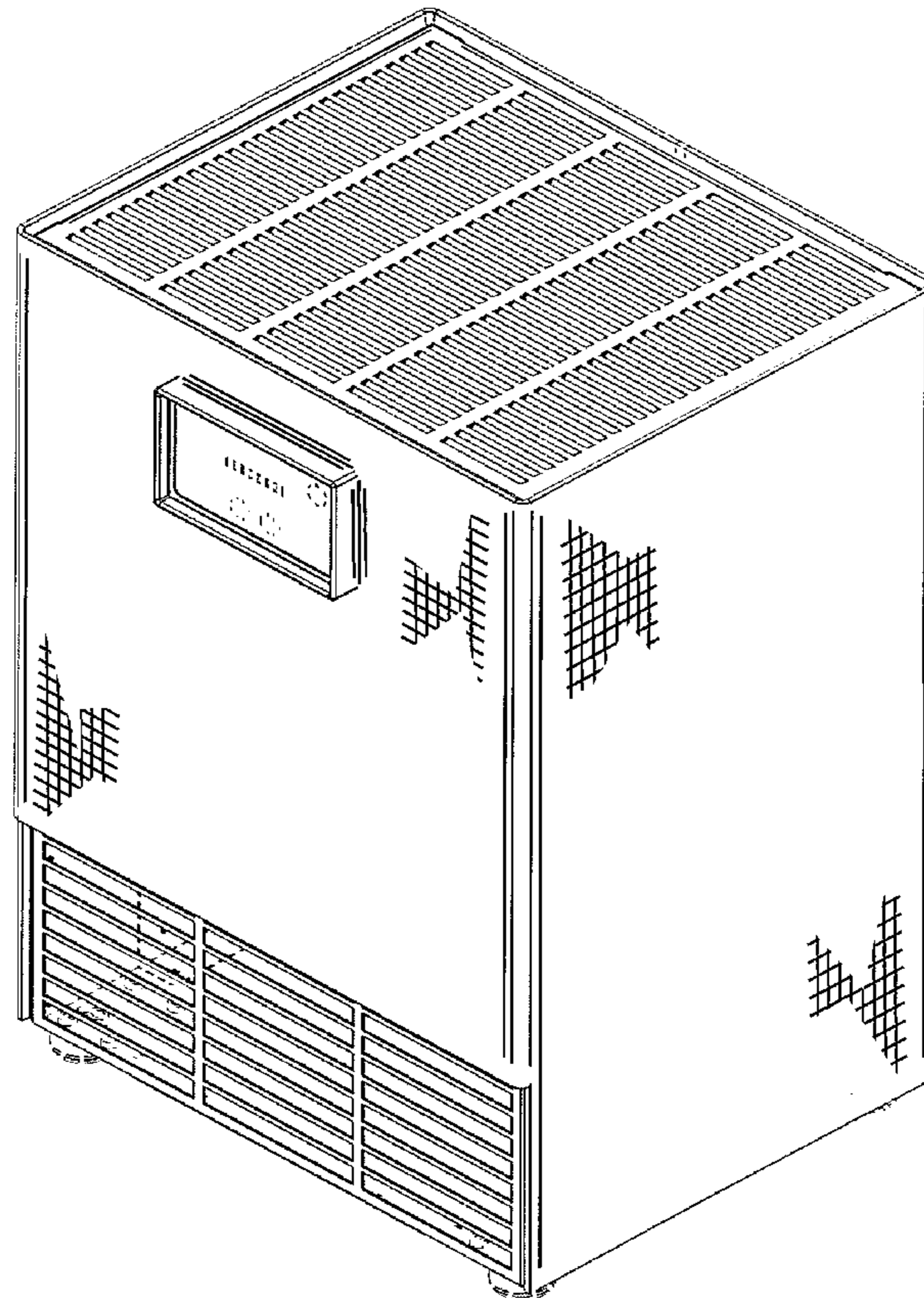
(57) **CLAIM**

The ornamental design for the apparatus for filtering air, as shown and described.

**DESCRIPTION**

FIG. 1 is a perspective front view of an apparatus for filtering air of the present invention; FIG. 2 is a front side view of the apparatus for filtering air; FIG. 3 is a back side view of the apparatus for filtering air; FIG. 4 is a right side view of the apparatus for filtering air; FIG. 5 is a left side view of the apparatus for filtering air; FIG. 6 is a top view of the apparatus for filtering air; and, FIG. 7 is a bottom view of the apparatus for filtering air. Portions in the drawings shown in dashed lines do not form part of the claimed invention. The cross-hatch patterns in the drawings represent a fabric surface.

**1 Claim, 7 Drawing Sheets**



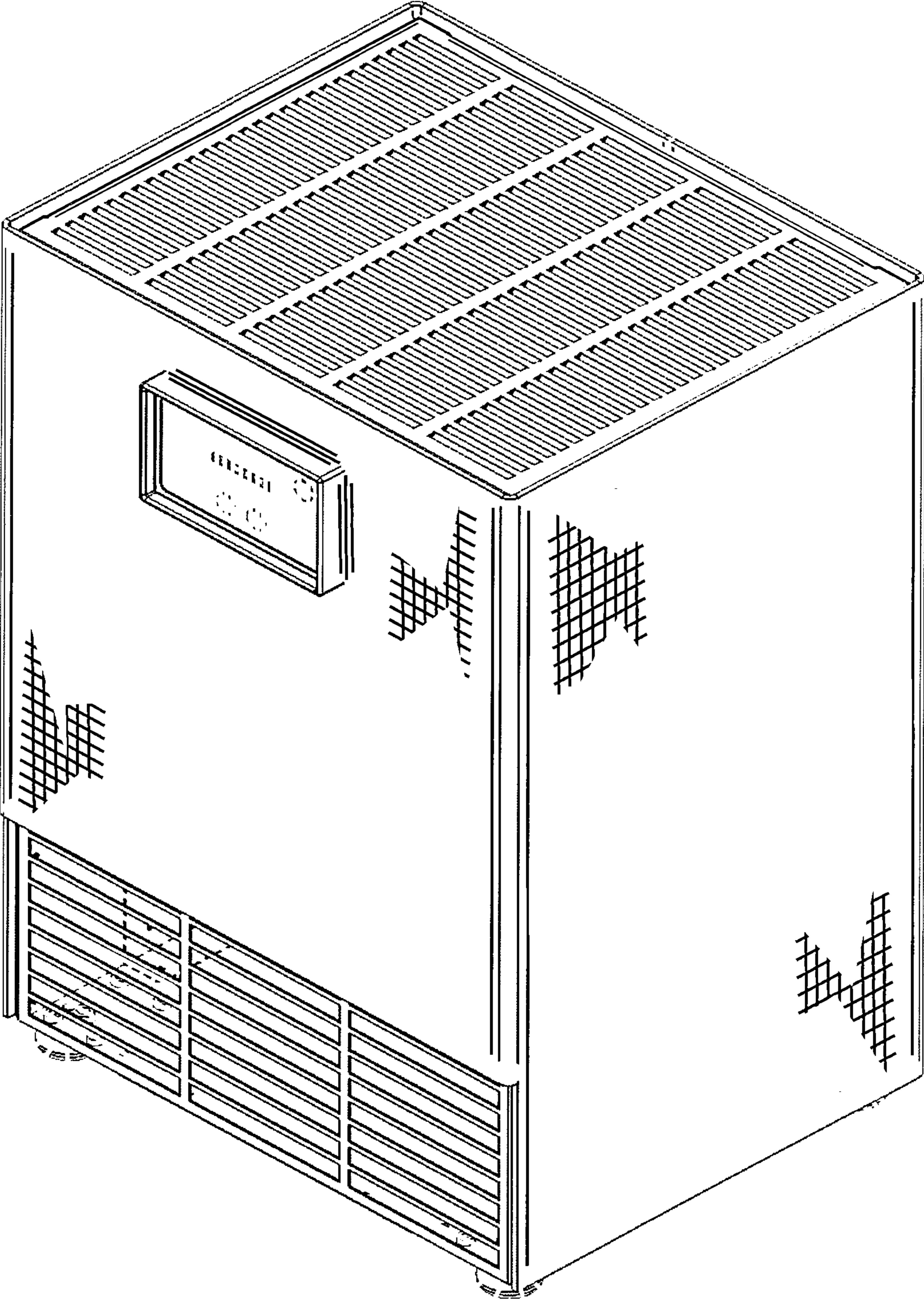


FIG. 1

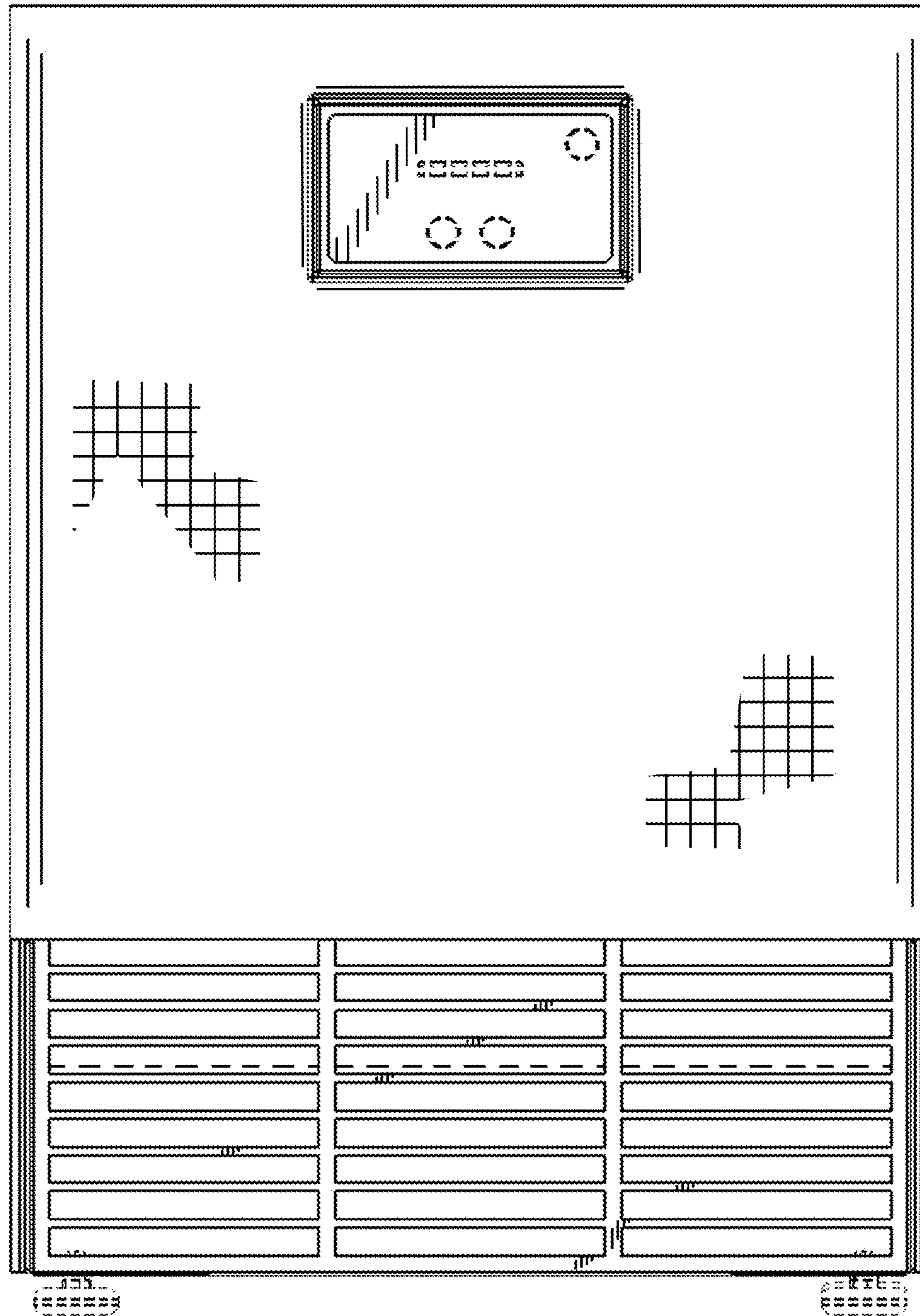


FIG. 2

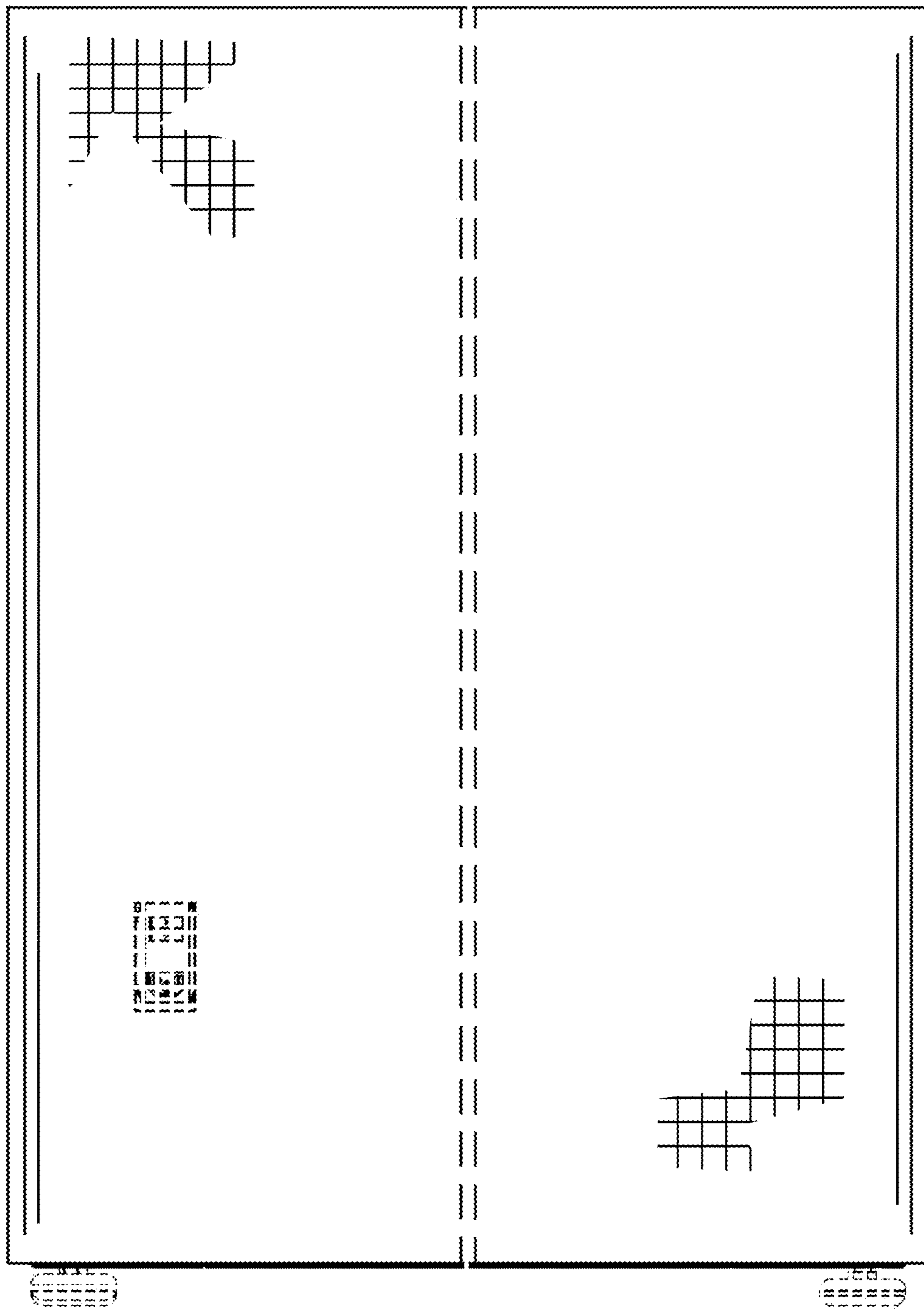


FIG. 3

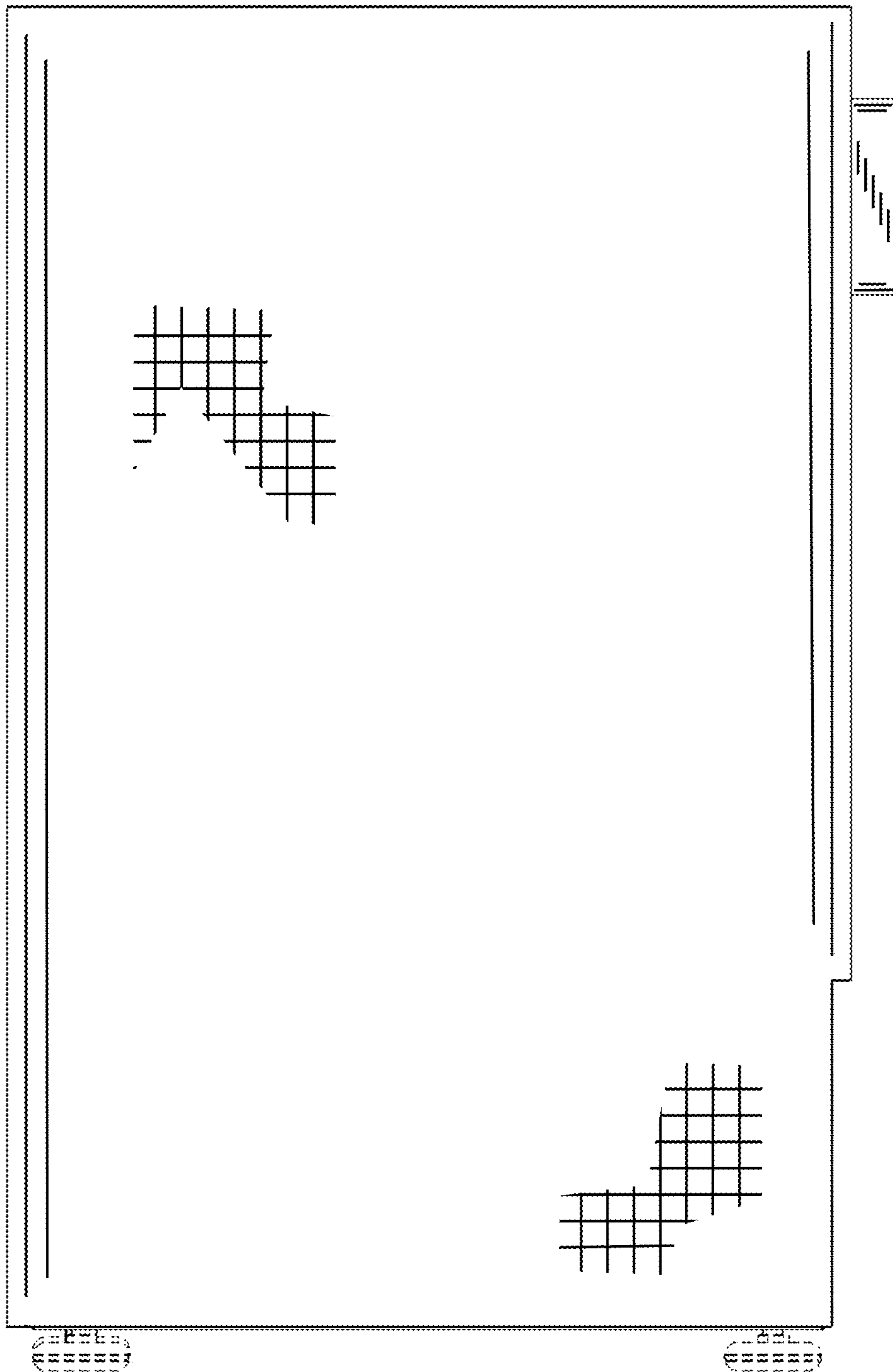


FIG. 4

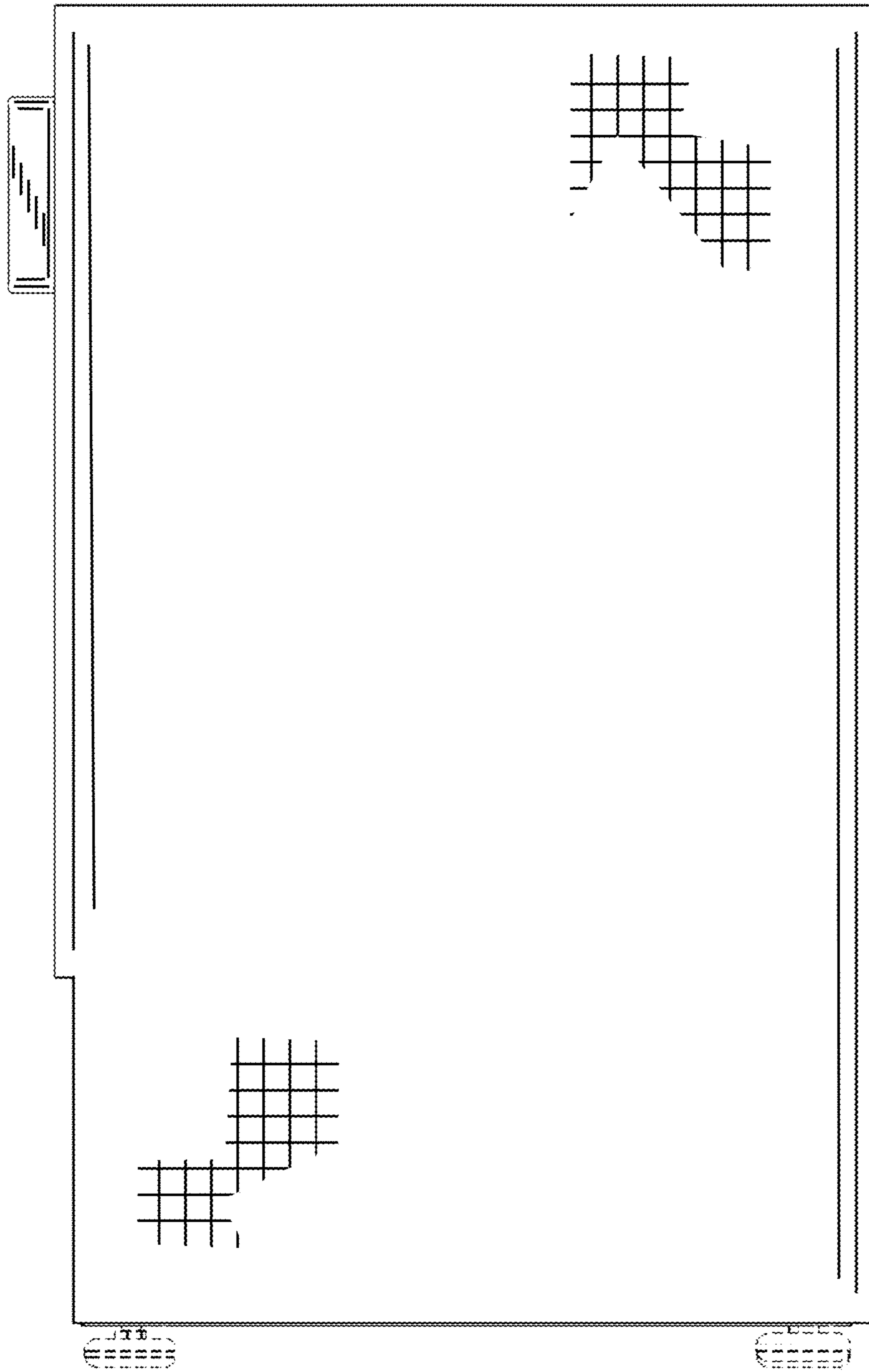


FIG. 5

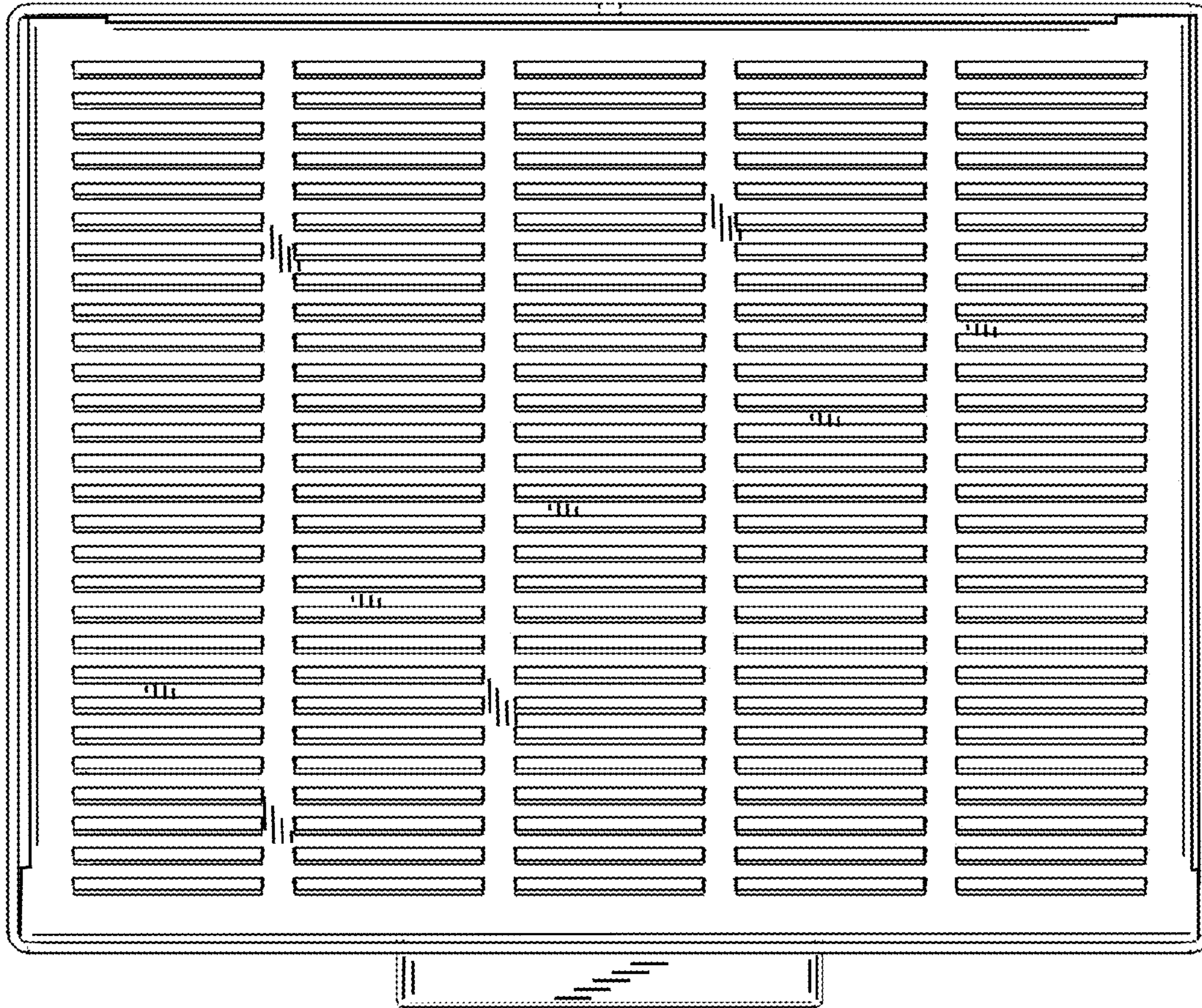


FIG. 6

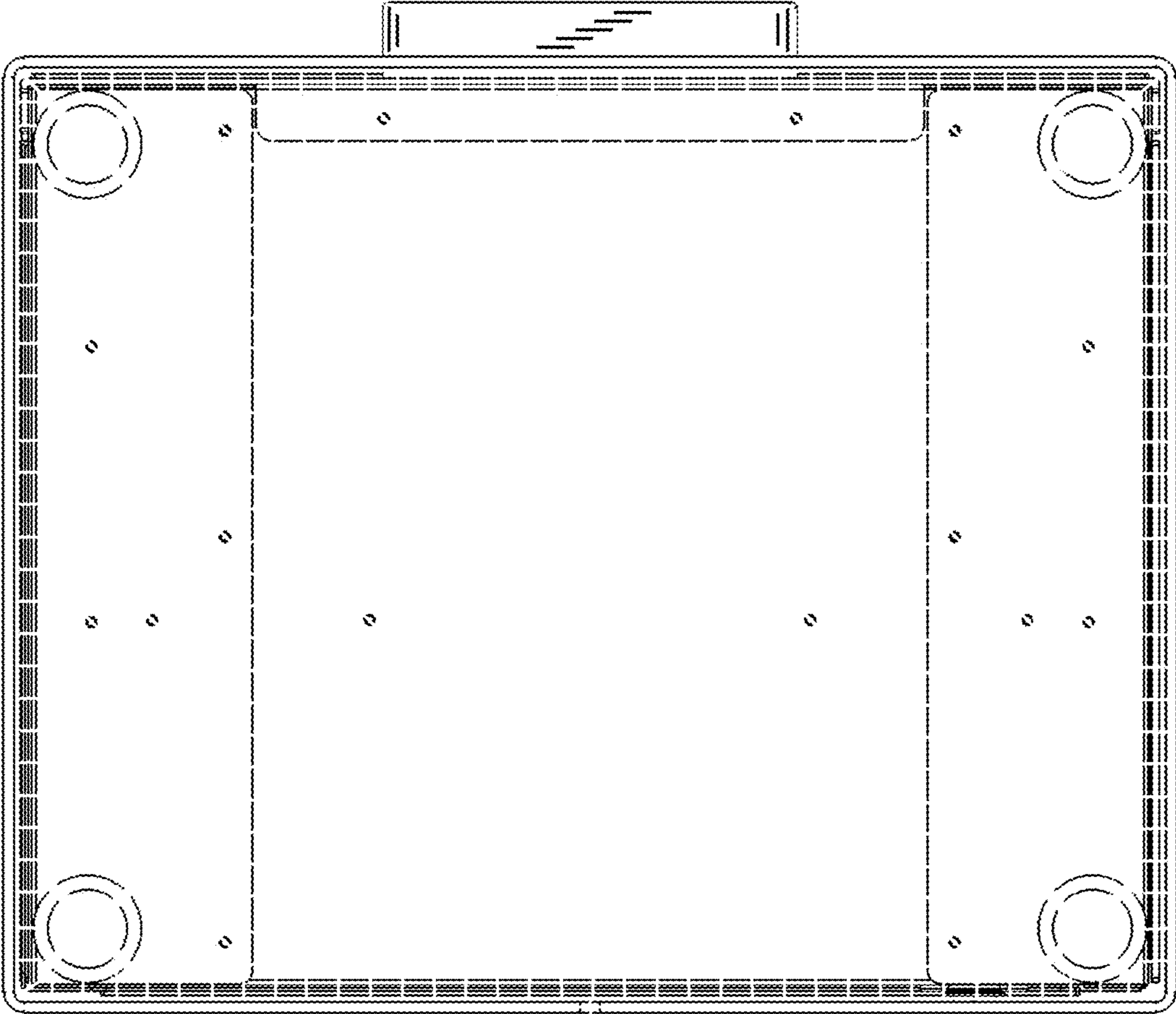


FIG. 7