



US00D704317S

(12) **United States Design Patent**  
**Shinozaki et al.**

(10) **Patent No.:** **US D704,317 S**  
(45) **Date of Patent:** **\*\* May 6, 2014**

(54) **TOILET SEAT**

(71) Applicants: **Masaki Shinozaki**, Tokyo (JP); **Hideaki Tsuzuki**, Tokyo (JP); **Yoshihiko Ando**, Tokyo (JP)

(72) Inventors: **Masaki Shinozaki**, Tokyo (JP); **Hideaki Tsuzuki**, Tokyo (JP); **Yoshihiko Ando**, Tokyo (JP)

(73) Assignee: **Lixil Corporation**, Tokyo (JP)

(\*\*) Term: **14 Years**

(21) Appl. No.: **29/459,905**

(22) Filed: **Jul. 4, 2013**

(30) **Foreign Application Priority Data**

Jan. 8, 2013 (JP) ..... 2013-000142

(51) **LOC (10) Cl.** ..... **23-02**

(52) **U.S. Cl.**  
USPC ..... **D23/311**

(58) **Field of Classification Search**  
USPC ..... D23/295-297, 299-301, 303, 309, 311;  
4/234, 242.1, 237, 239

See application file for complete search history.

(56) **References Cited**

U.S. PATENT DOCUMENTS

D617,884 S \* 6/2010 Choi ..... D23/311  
8,024,821 B2 \* 9/2011 Chen ..... 4/237

FOREIGN PATENT DOCUMENTS

KR 300438203 1/2007  
TW 486342 5/2002  
TW D118006 7/2007

OTHER PUBLICATIONS

“Notice of Allowance of Taiwan Counterpart Application”, issued on Feb. 20, 2014, pp. 1-3.

\* cited by examiner

*Primary Examiner* — Robert Delehanty  
(74) *Attorney, Agent, or Firm* — Jianq Chyun IP Office

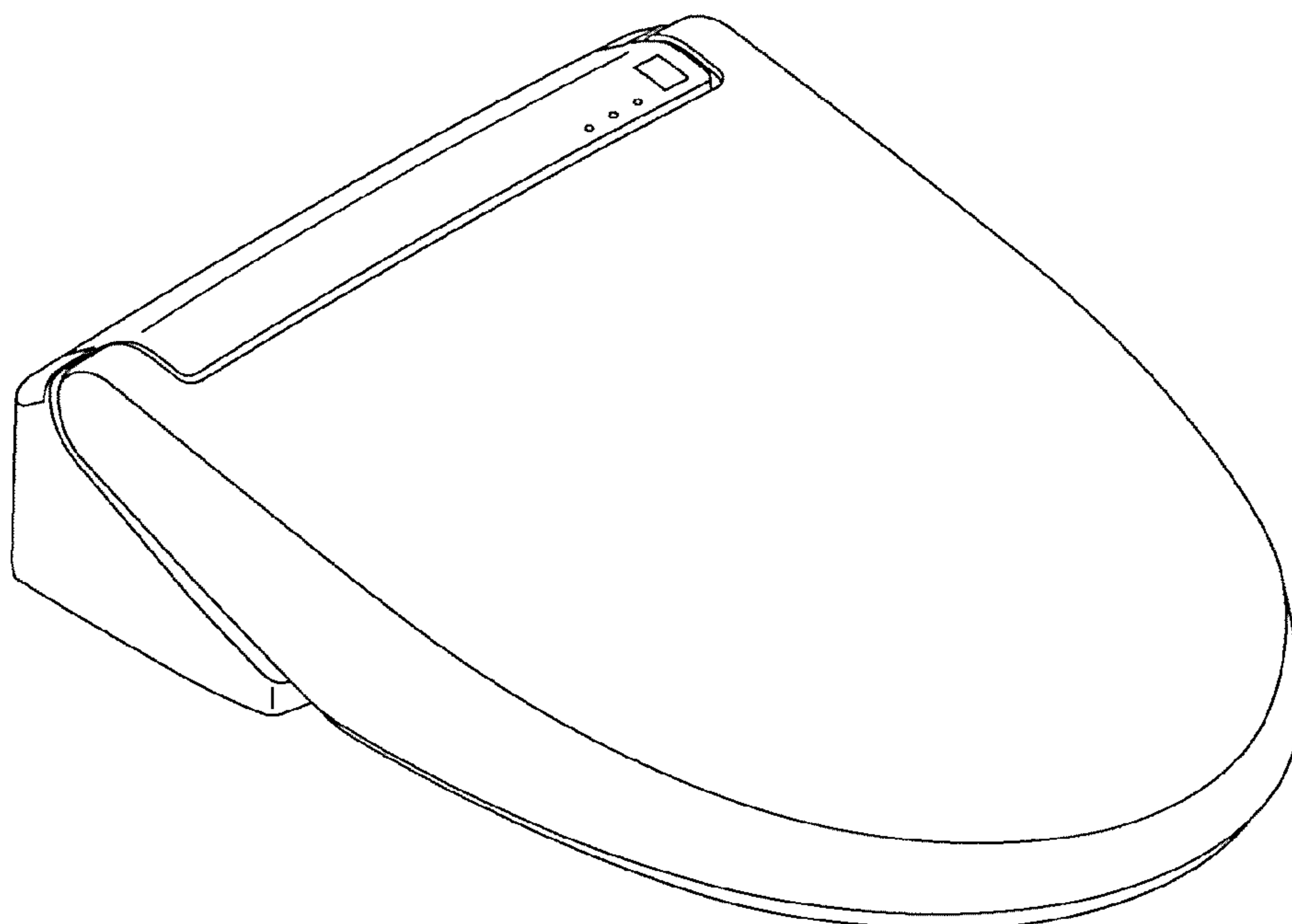
(57) **CLAIM**

The ornamental design for a toilet seat, as shown and described.

**DESCRIPTION**

FIG. 1 is a perspective view of a toilet seat showing our new design;  
FIG. 2 is a front view thereof;  
FIG. 3 is a rear view thereof;  
FIG. 4 is a left side view thereof, the right side view being a mirror image of the left side view;  
FIG. 5 is a top view thereof; and,  
FIG. 6 is a bottom view thereof.

**1 Claim, 5 Drawing Sheets**



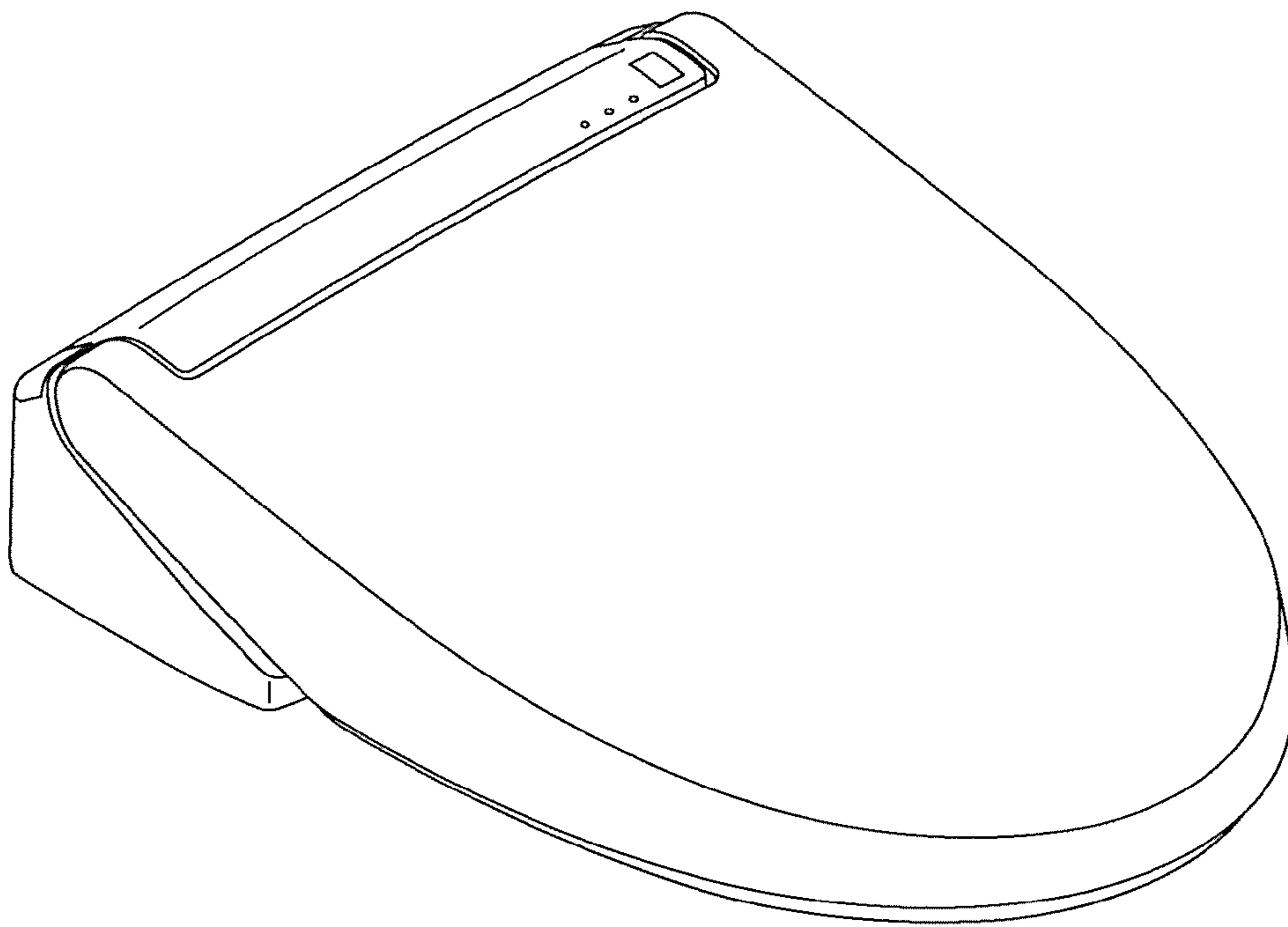


FIG. 1

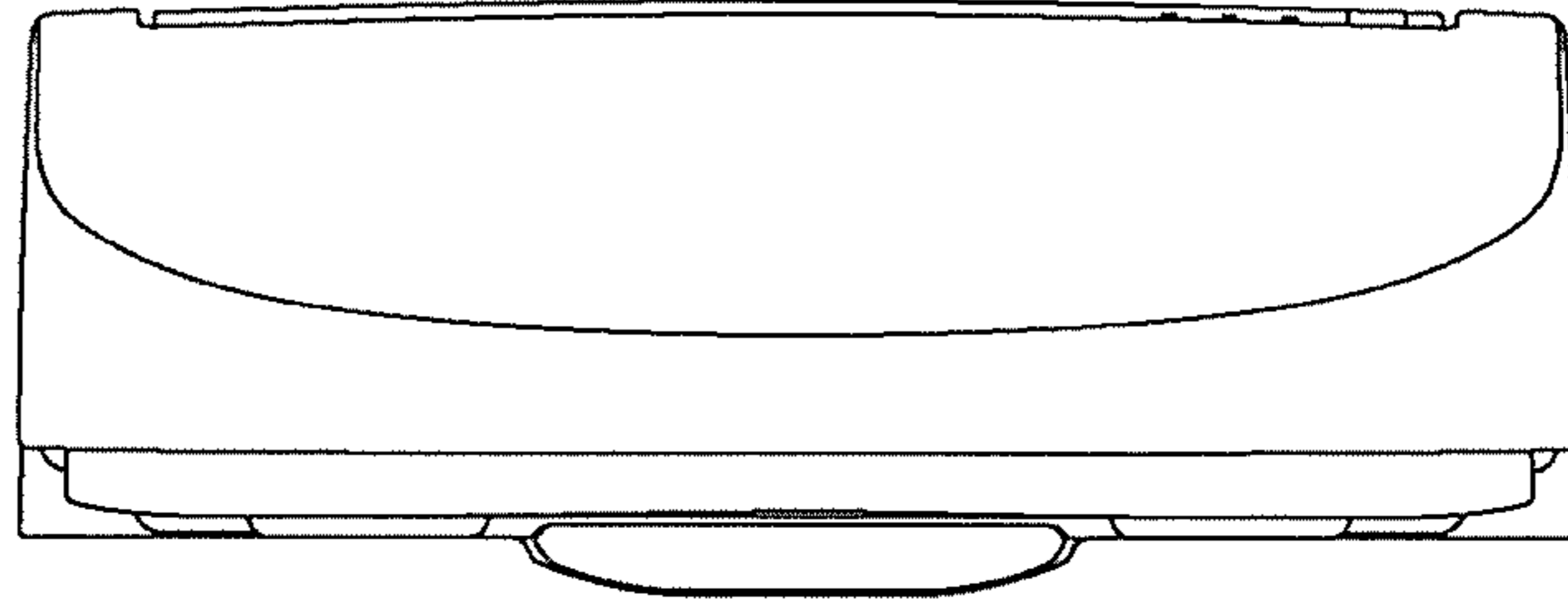


FIG. 2

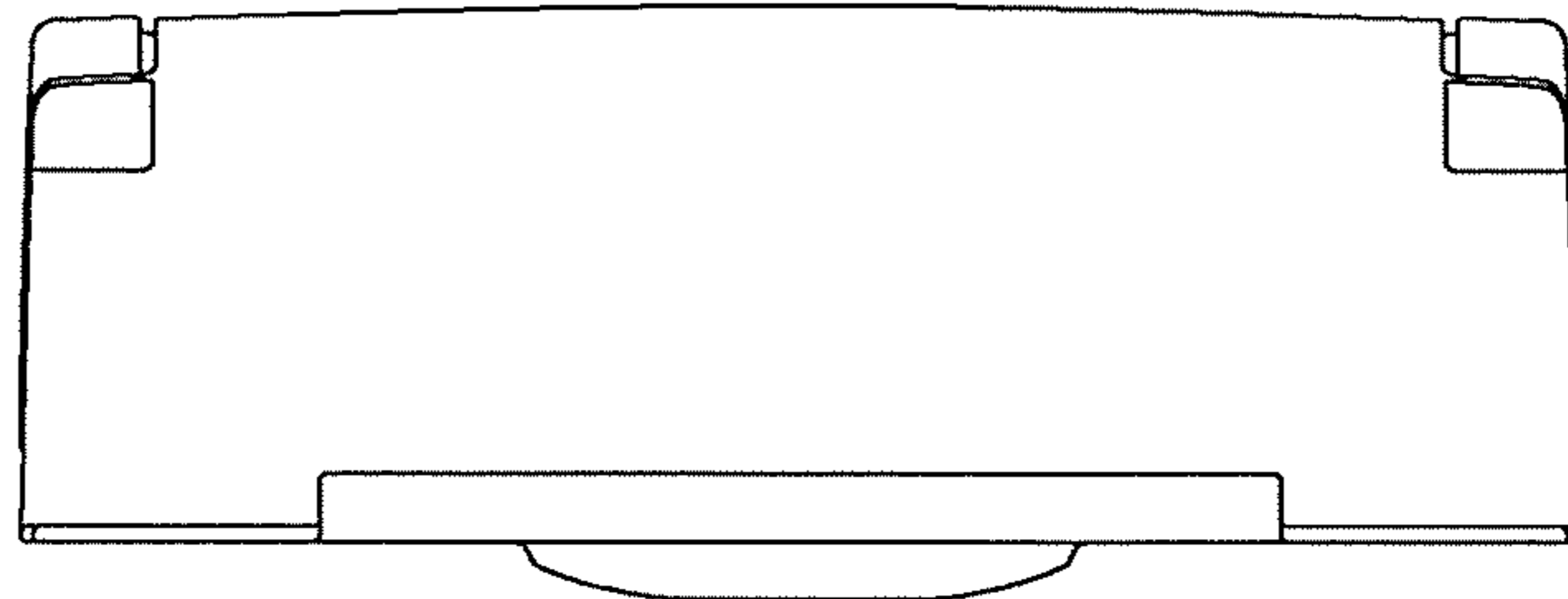


FIG. 3

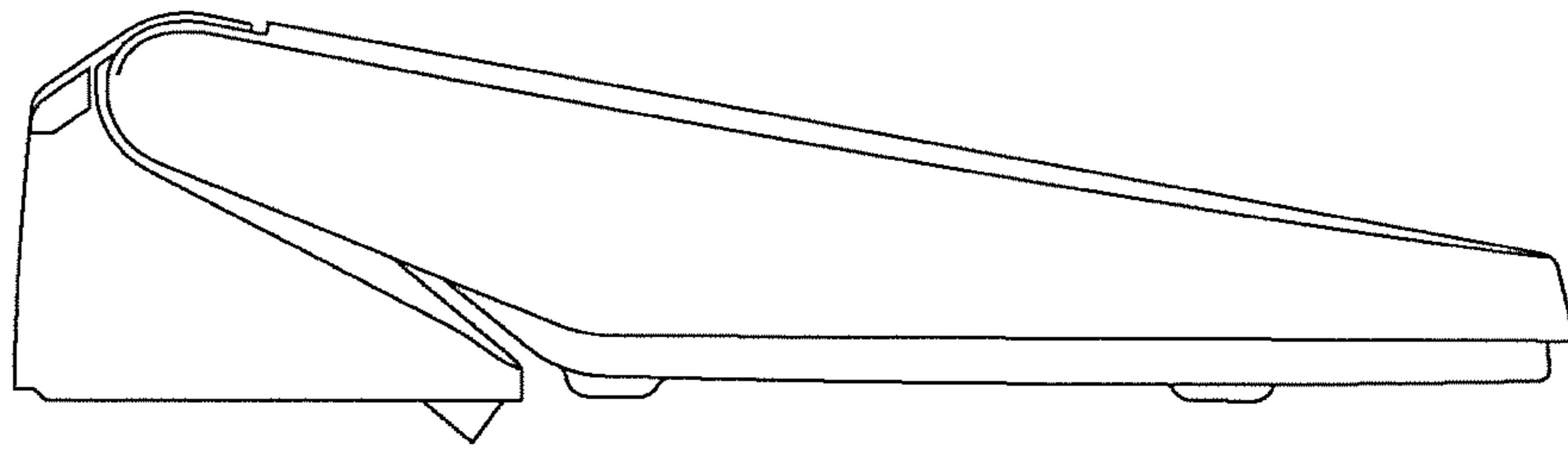


FIG. 4

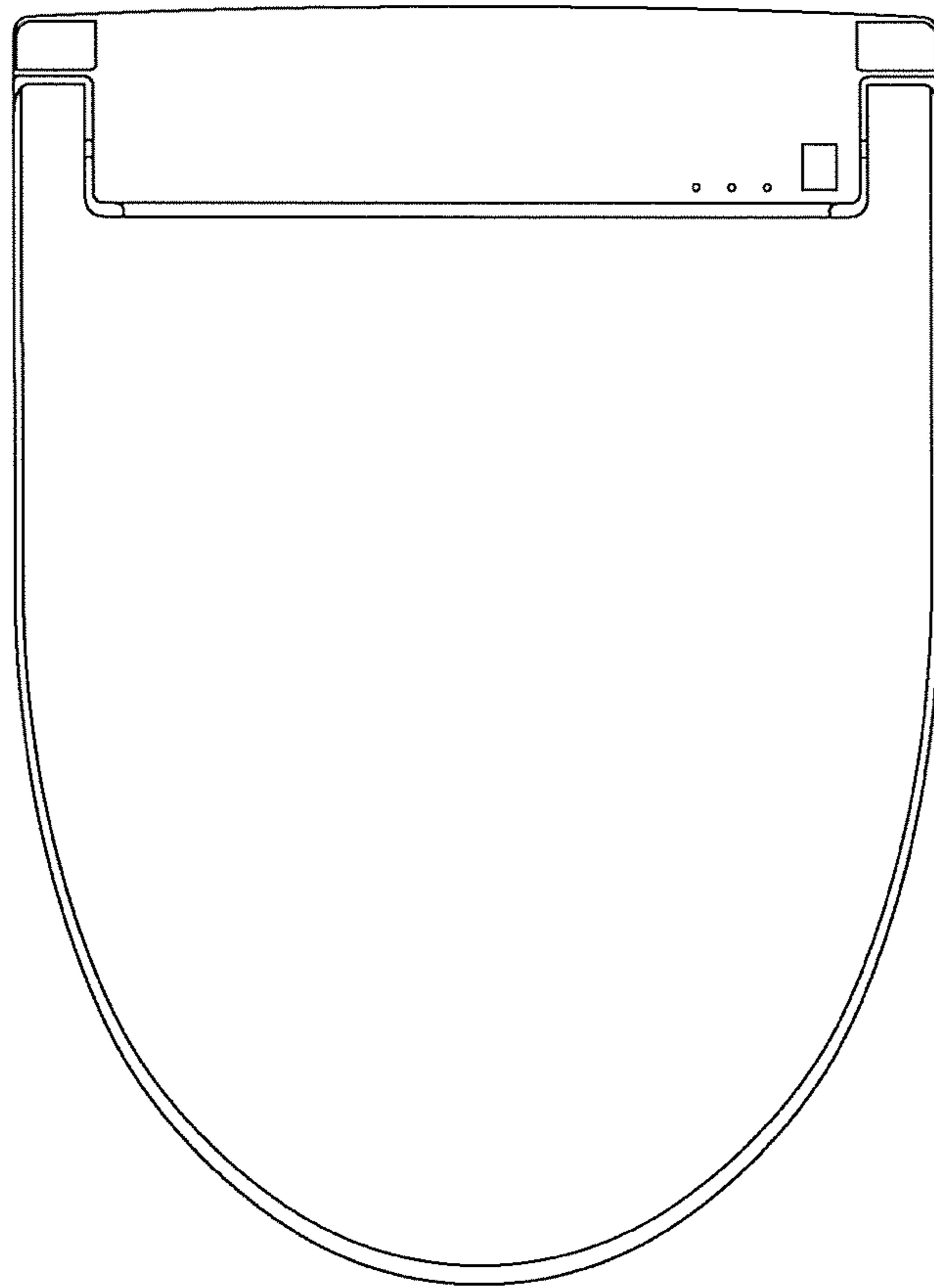


FIG. 5

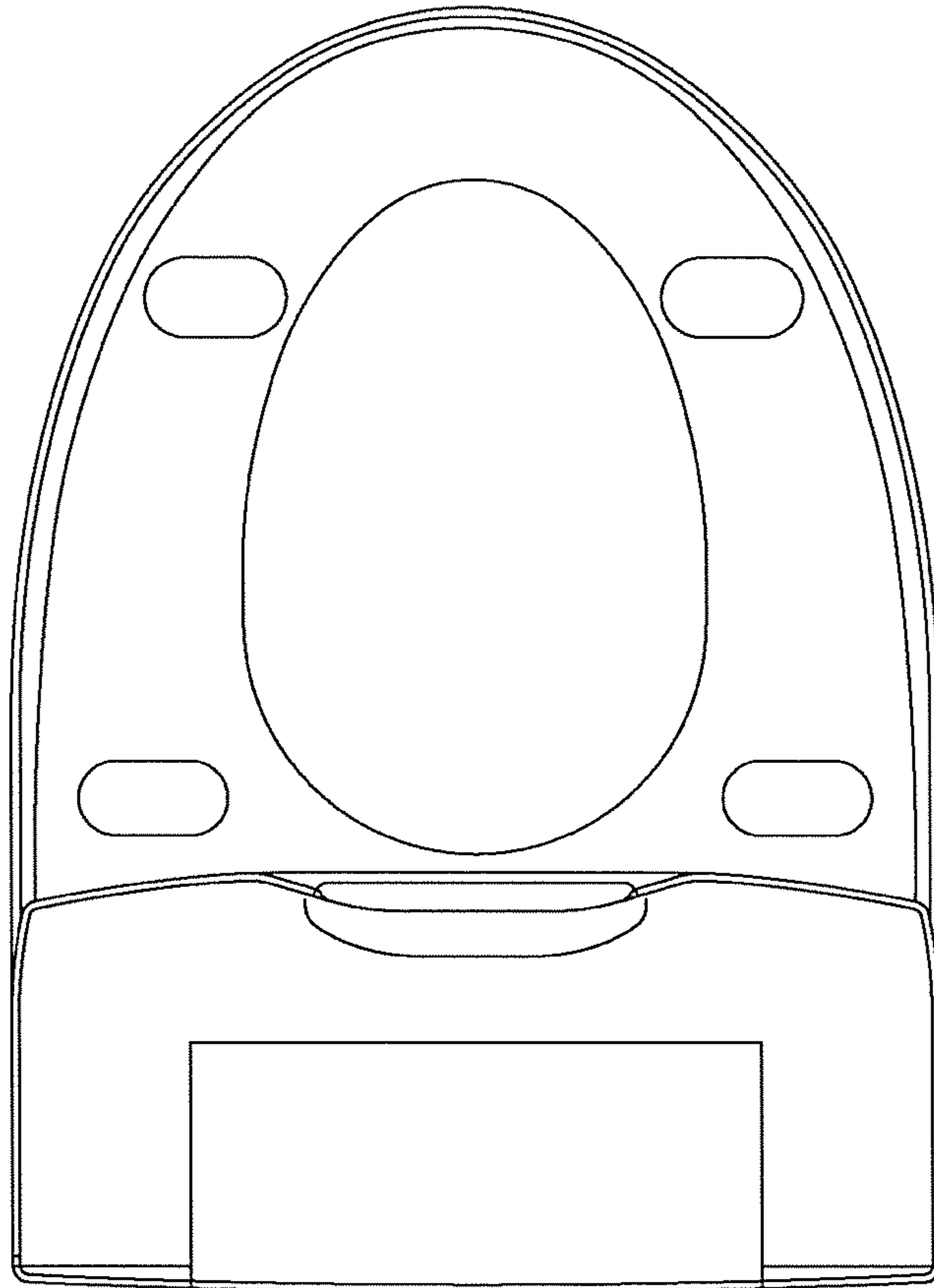


FIG. 6