



US00D704313S

(12) **United States Design Patent**
van de Klippe et al.

(10) **Patent No.:** **US D704,313 S**

(45) **Date of Patent:** **** *May 6, 2014**

(54) **SECONDARY SEAL CLOSURE SYSTEM FOR RECONDITIONED DRUMS**

(71) Applicant: **Greif International Holding BV**,
Vreeland (NL)

(72) Inventors: **Cornelis R. van de Klippe**, West
Chicago, IL (US); **Steven J. Talaga**,
South Elgin, IL (US)

(73) Assignee: **Greif International Holding BV**,
Vreeland (NL)

(*) Notice: This patent is subject to a terminal disclaimer.

(**) Term: **14 Years**

(21) Appl. No.: **29/446,447**

(22) Filed: **Feb. 23, 2013**

(51) **LOC (10) Cl.** **23-01**

(52) **U.S. Cl.**
USPC **D23/269**

(58) **Field of Classification Search**
USPC D23/259, 262, 264, 260, 269; D9/443,
D9/454; 277/602, 608, 625, 626, 910;
285/105, 232, 337, 370, 95; 220/619,
220/716

See application file for complete search history.

(56) **References Cited**

U.S. PATENT DOCUMENTS

D35,064	S	*	9/1901	Pulcifer	D23/269
D48,004	S	*	10/1915	Mueller	D23/269
1,900,019	A	*	3/1933	Liptak	122/4 R
3,521,893	A	*	7/1970	Josephson	277/584
D223,156	S	*	3/1972	Campbell	D23/260
4,263,860	A	*	4/1981	Santoni	220/619

4,379,051	A	*	4/1983	Hiesinger et al.	210/193
4,574,402	A	*	3/1986	Brown, Sr.	4/252.5
D359,451	S	*	6/1995	Dees	D9/443
D365,519	S	*	12/1995	Welch et al.	D9/454
5,758,882	A	*	6/1998	Torzewski	277/608
6,651,988	B2	*	11/2003	Terpay et al.	277/560
7,134,454	B2	*	11/2006	Montminy	138/89
D576,260	S	*	9/2008	Chan	D23/269
D655,796	S	*	3/2012	DeWitt et al.	D23/269
D659,808	S	*	5/2012	Zeyfang	D23/260
8,336,730	B2	*	12/2012	Pontes	220/716
D681,176	S	*	4/2013	Chacko	D23/269
2005/0206092	A1	*	9/2005	Pedro et al.	277/608
2009/0223960	A1	*	9/2009	Welch	220/257.2
2013/0074986	A1	*	3/2013	Larsson et al.	141/311 R

* cited by examiner

Primary Examiner — Eric Goodman

(74) *Attorney, Agent, or Firm* — Baker Hostetler LLP

(57) **CLAIM**

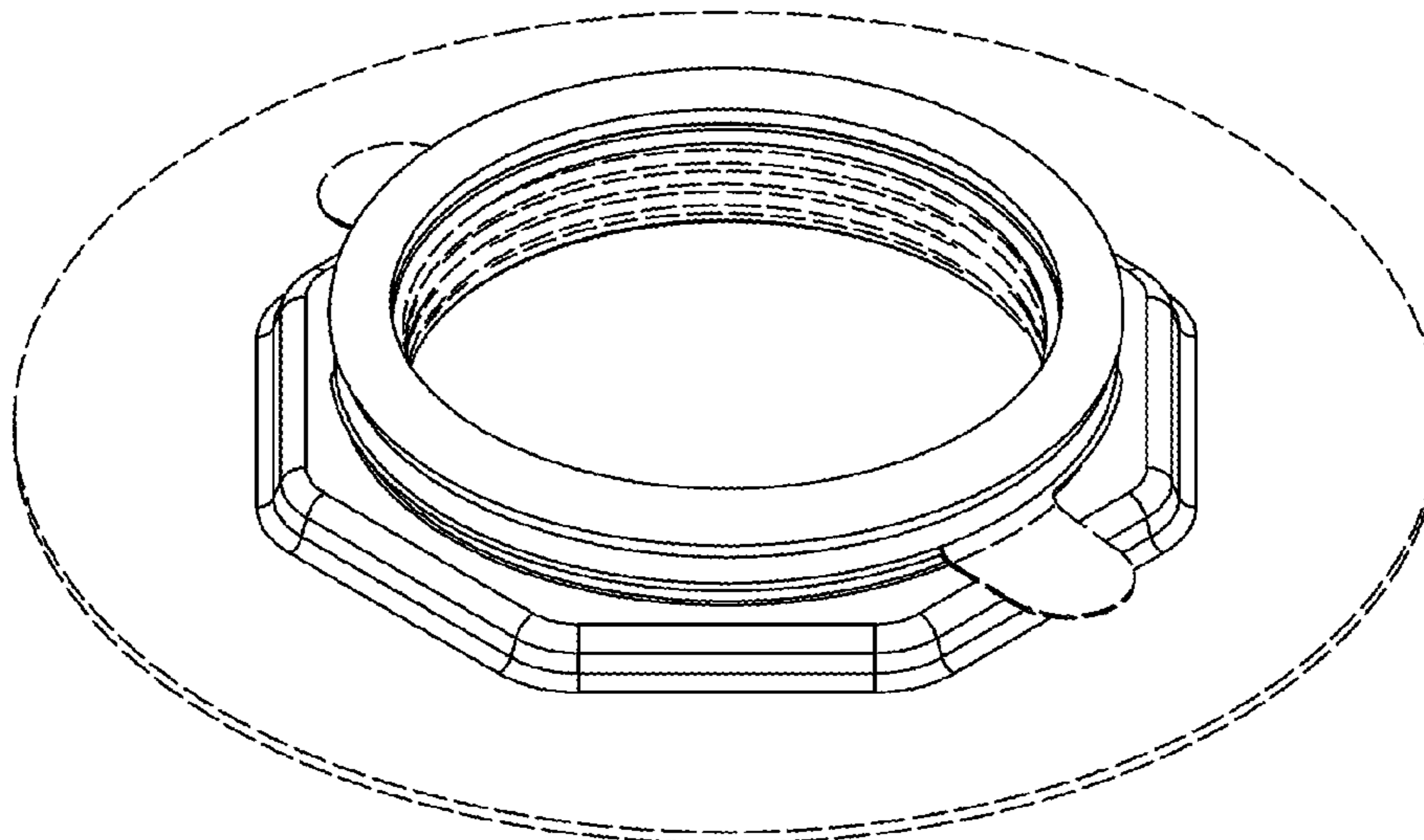
The ornamental design for a secondary seal closure system for reconditioned drums, as shown and described.

DESCRIPTION

FIG. 1 is a top, perspective view of the secondary seal closure system showing our new design, in position on a drum head; FIG. 2 is a bottom, perspective view thereof; FIG. 3 is a top view thereof; FIG. 4 is a bottom view thereof; FIG. 5 is a side view thereof; FIG. 6 is a front view thereof; FIG. 7 is a cross-section thereof along the plane of lines 7-7 of FIG. 3; and, FIG. 8 is a cross-section thereof along the plane of lines 8-8 of FIG. 3.

Phantom lining, where utilized, is for illustrative purposes only and forms no part of the claimed design.

1 Claim, 5 Drawing Sheets



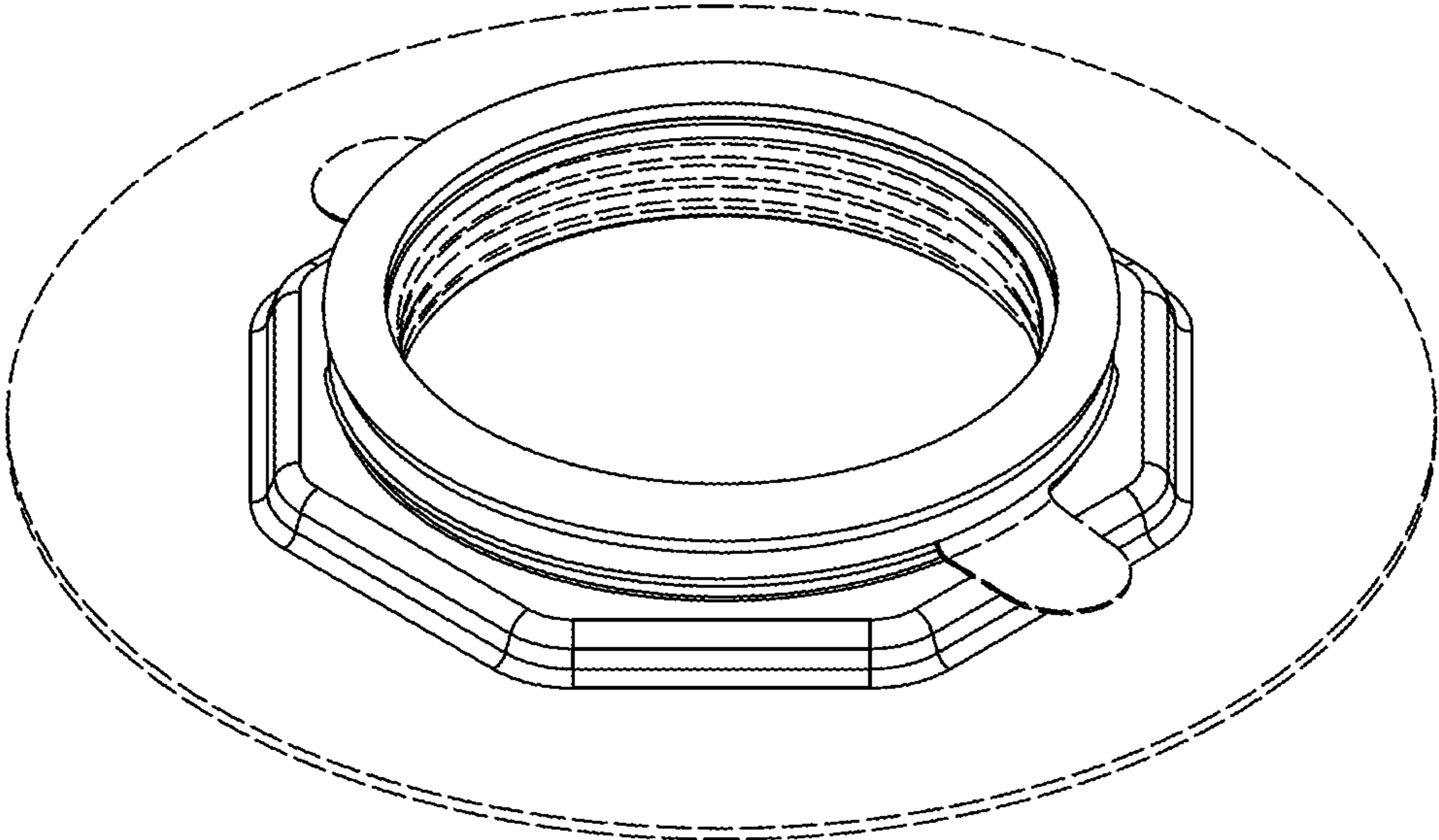


FIG. 1

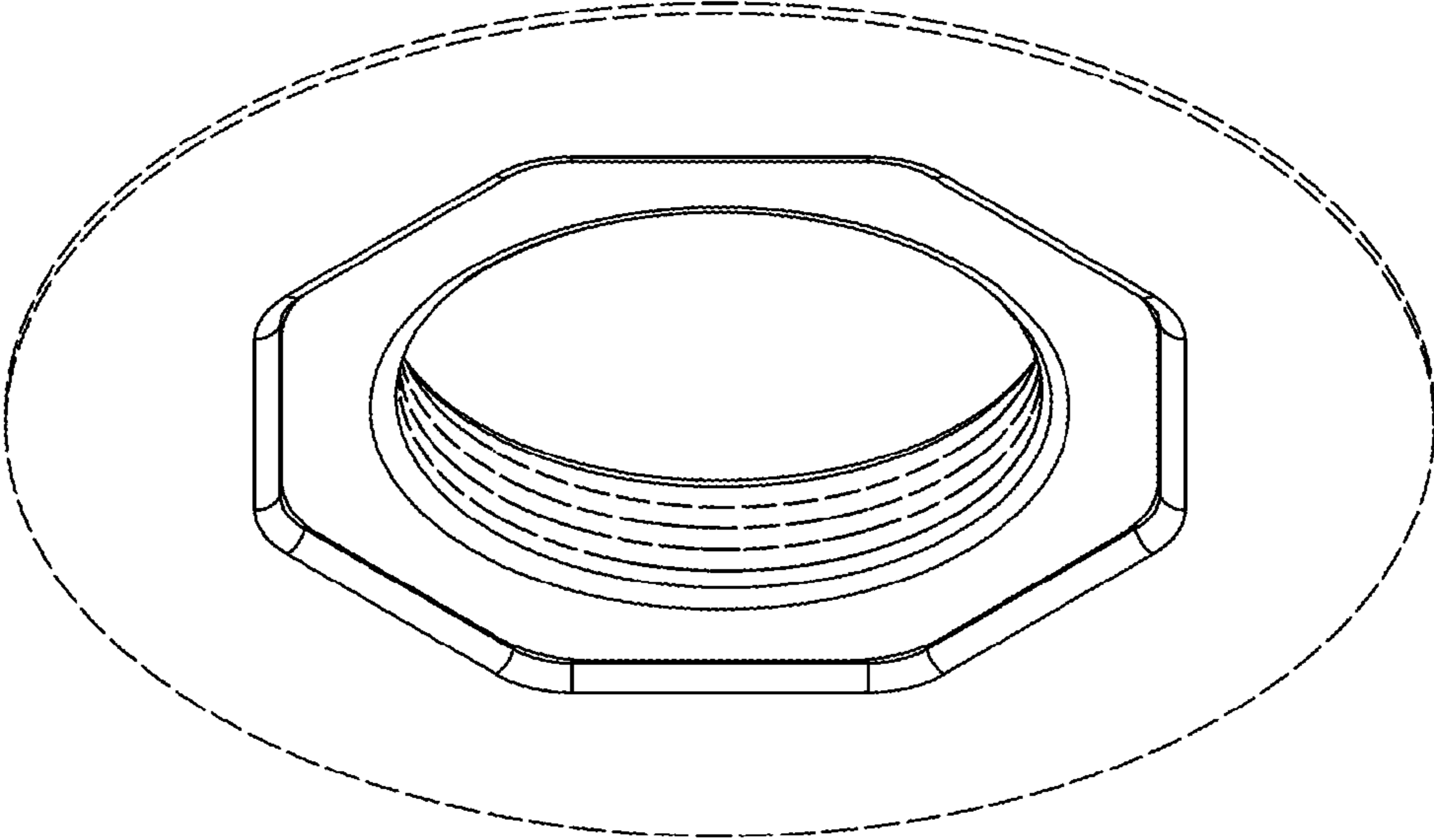


FIG. 2

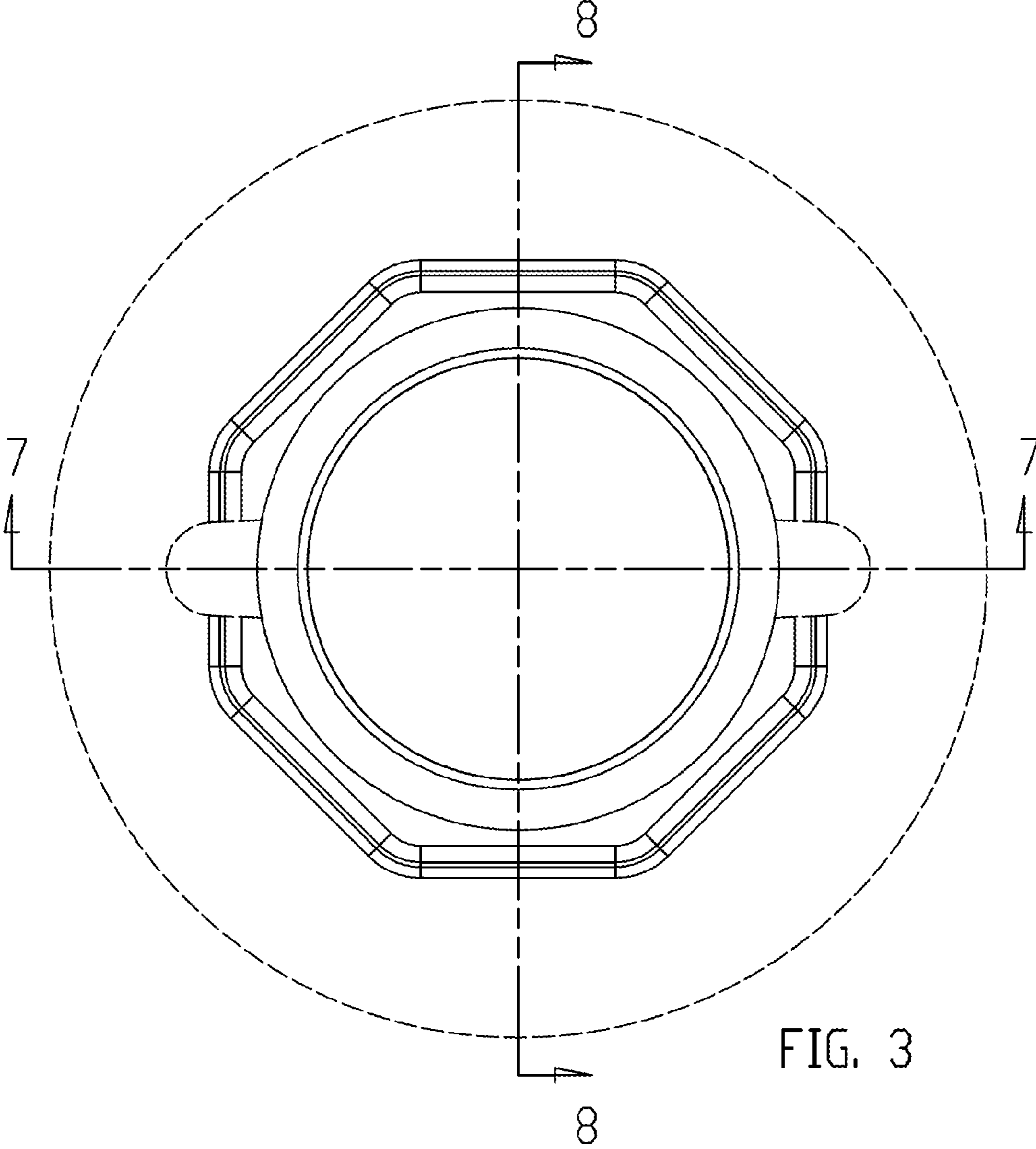


FIG. 3

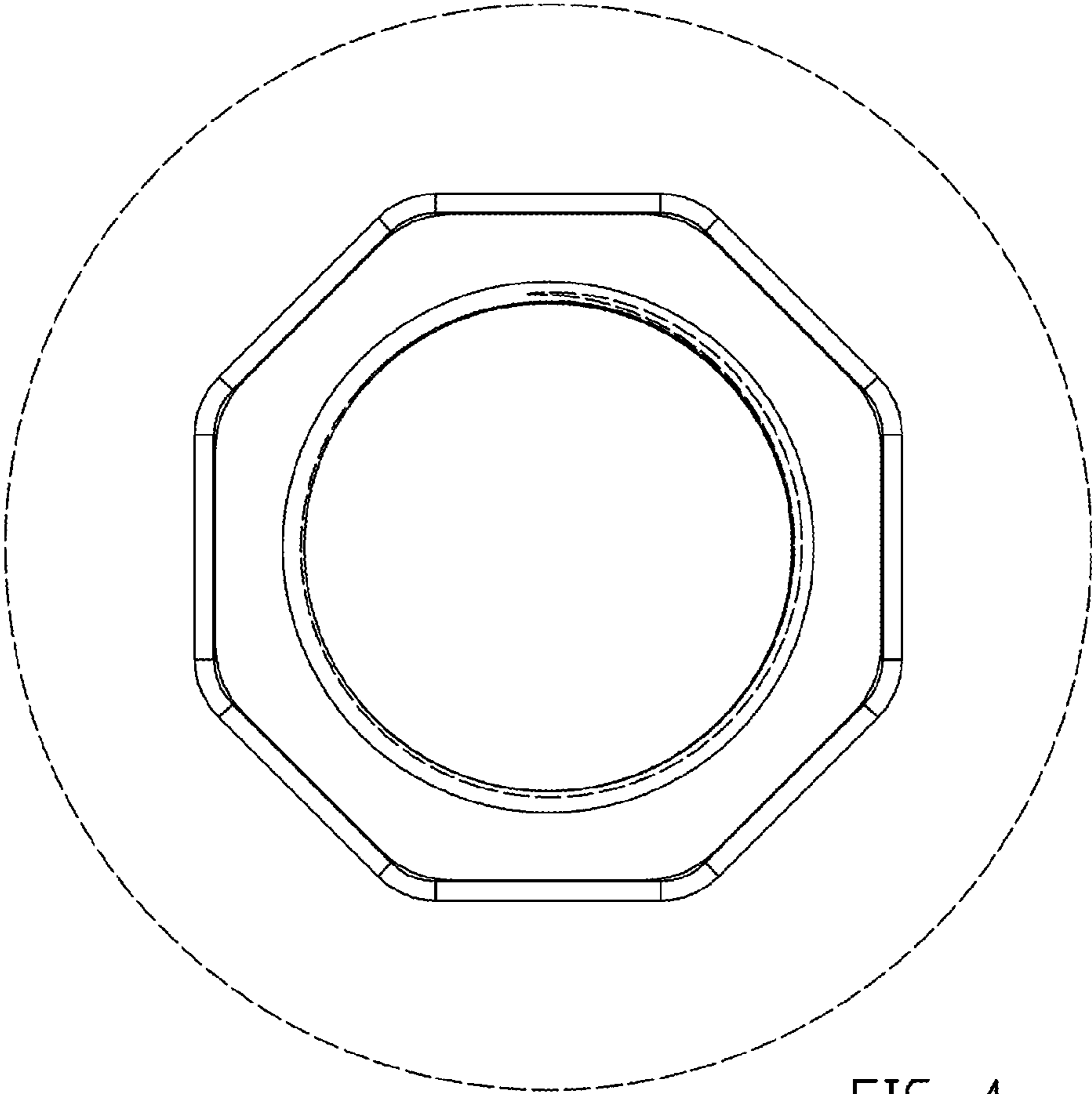


FIG. 4

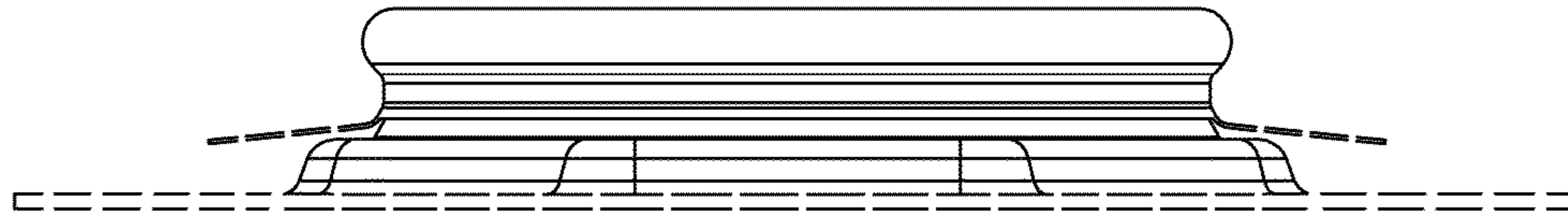


FIG. 5

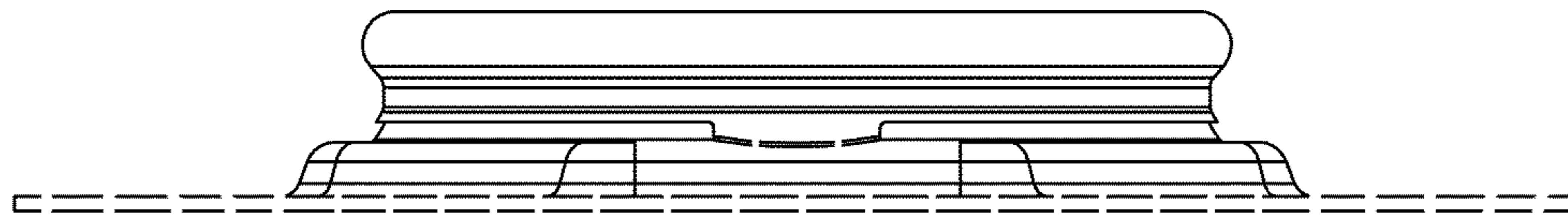


FIG. 6



FIG. 7

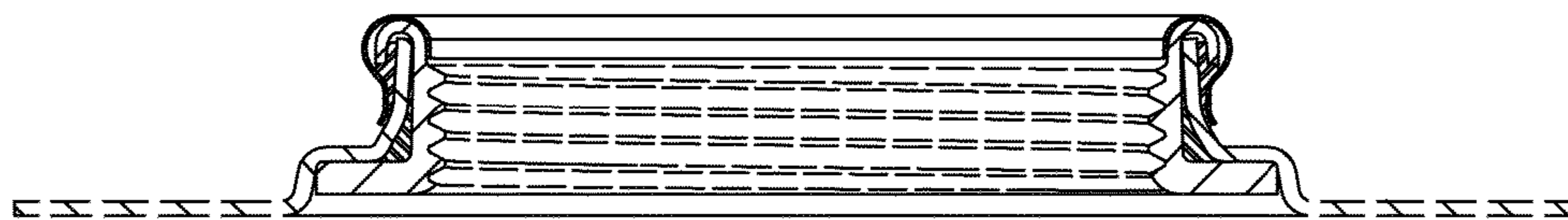


FIG. 8