

US00D704312S

(12) **United States Design Patent**  
**Kuo**

(10) **Patent No.:** **US D704,312 S**

(45) **Date of Patent:** **\*\* May 6, 2014**

(54) **WATER FILTER POSITIONING RING**

(75) Inventor: **Chi-Chang Kuo**, Taichung (TW)

(73) Assignee: **New Century Membrane Technology Co., Ltd.**, Taichung (TW)

(\*\*) Term: **14 Years**

(21) Appl. No.: **29/409,594**

(22) Filed: **Dec. 26, 2011**

(51) **LOC (10) Cl.** ..... **23-01**

(52) **U.S. Cl.**  
USPC ..... **D23/259**

(58) **Field of Classification Search**  
USPC ..... D23/259, 260, 261, 262; 210/456, 232,  
210/282, 660

See application file for complete search history.

(56) **References Cited**

**U.S. PATENT DOCUMENTS**

5,154,823	A *	10/1992	Ma et al.	.....	210/232
5,395,509	A *	3/1995	Guerra Cisneros et al.	....	210/91
D375,148	S *	10/1996	Keller	.....	D23/249
6,524,477	B1 *	2/2003	Hughes	.....	210/282
6,649,056	B2 *	11/2003	Fritze	.....	210/315
6,823,996	B2 *	11/2004	Durre	.....	210/443

6,893,560	B2 *	5/2005	Reinhart	.....	210/232
7,217,362	B2 *	5/2007	Hsiao	.....	210/232
8,197,771	B2 *	6/2012	Maiden	.....	422/501
2005/0189289	A1 *	9/2005	Hsiao	.....	210/456
2010/0065486	A1 *	3/2010	Assion	.....	210/232
2010/0126924	A1 *	5/2010	Hawkins et al.	.....	210/232
2010/0237017	A1 *	9/2010	Maiden	.....	210/660
2012/0153051	A1 *	6/2012	Kah et al.	.....	239/533.1
2012/0261325	A1 *	10/2012	Brown et al.	.....	210/236
2013/0043176	A1 *	2/2013	Johnson et al.	.....	210/232

\* cited by examiner

*Primary Examiner* — Eric Goodman

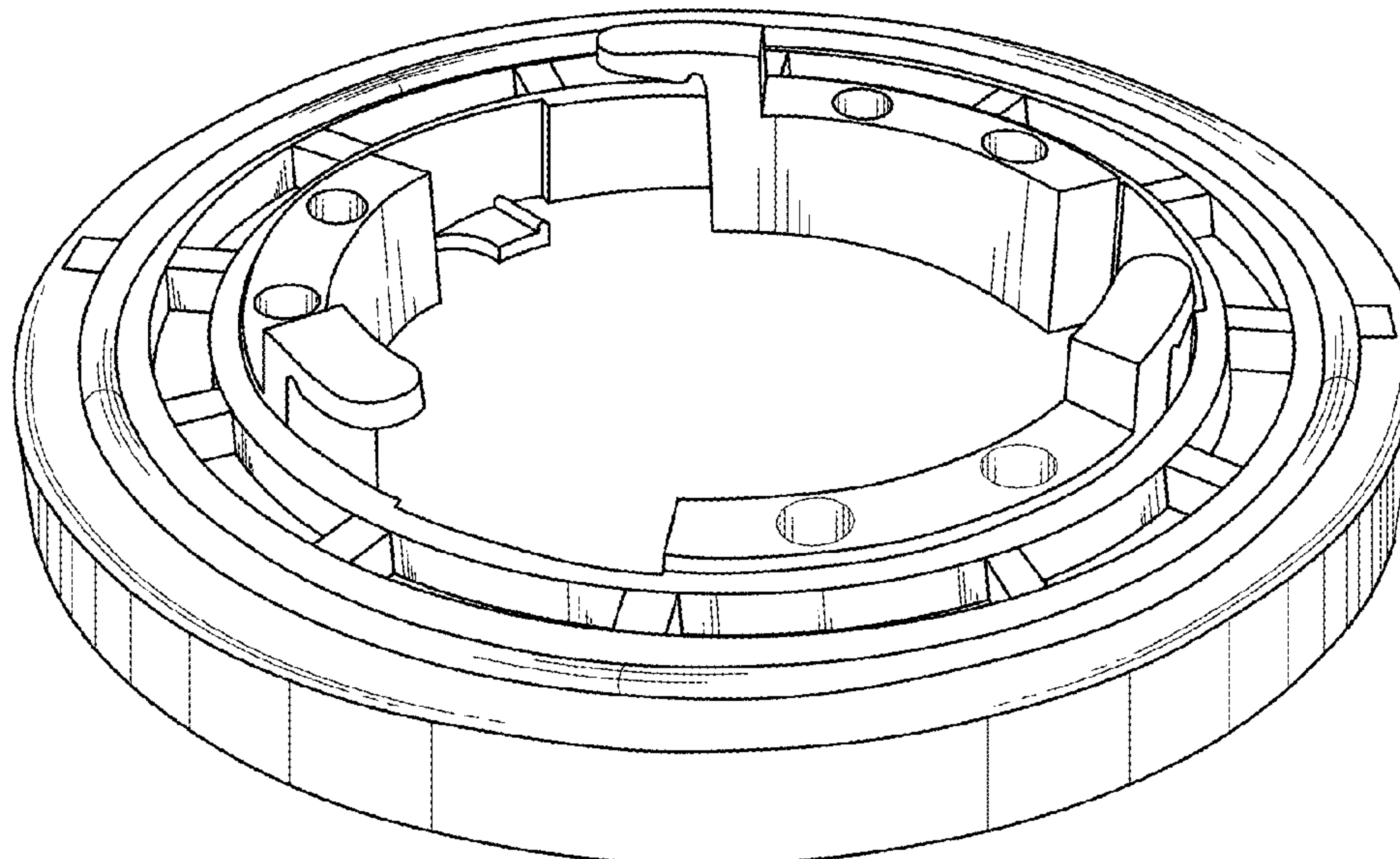
(57) **CLAIM**

The ornamental design for a water filter positioning ring, as shown and described.

**DESCRIPTION**

FIG. 1 is a perspective view of a water filter positioning ring showing my new design;  
FIG. 2 is a front elevational view thereof;  
FIG. 3 is a rear elevational view thereof;  
FIG. 4 is left side elevational view thereof;  
FIG. 5 is right side elevational view thereof;  
FIG. 6 a top plane view thereof; and,  
FIG. 7 a bottom plane view thereof.

**1 Claim, 5 Drawing Sheets**



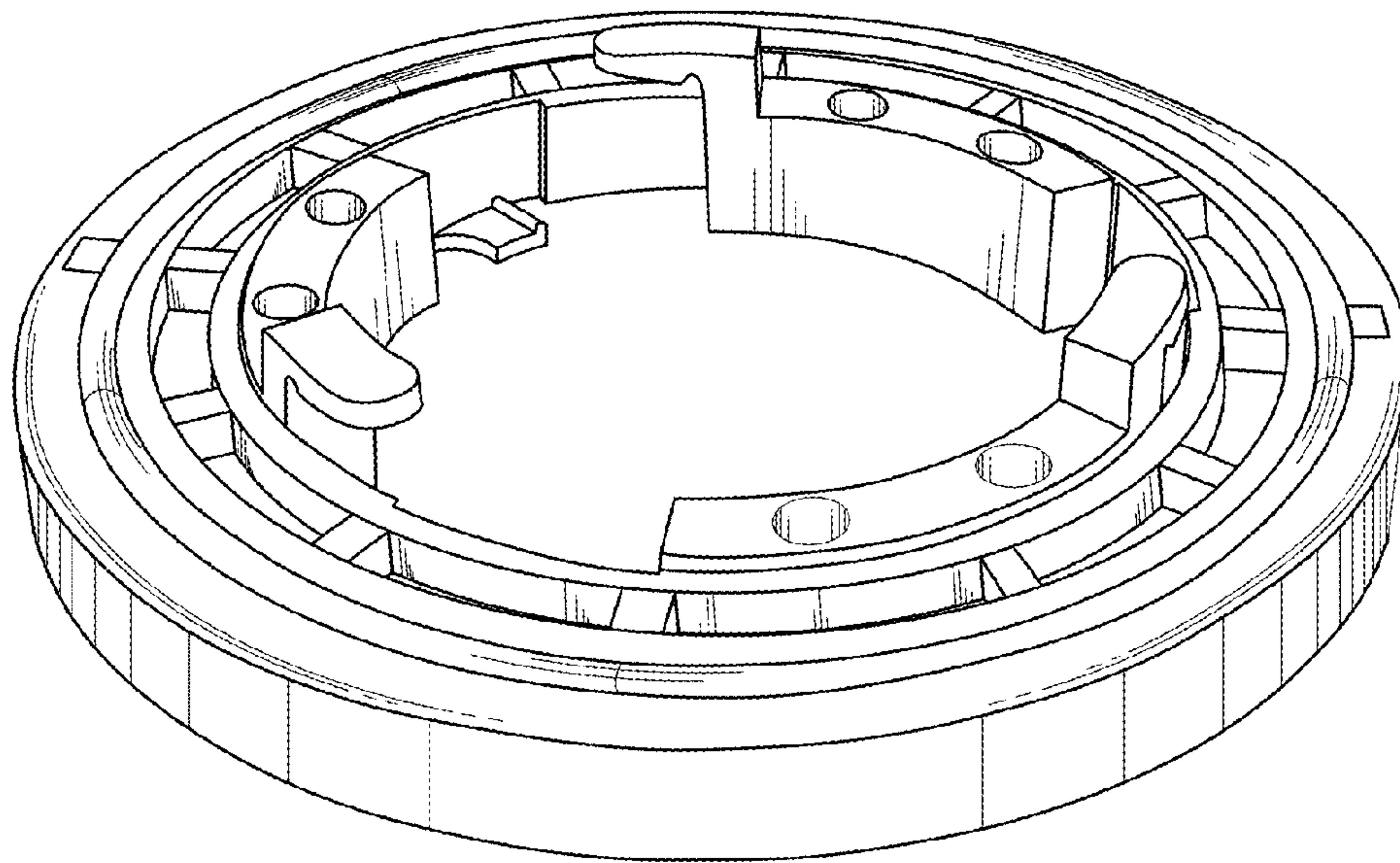


FIG. 1

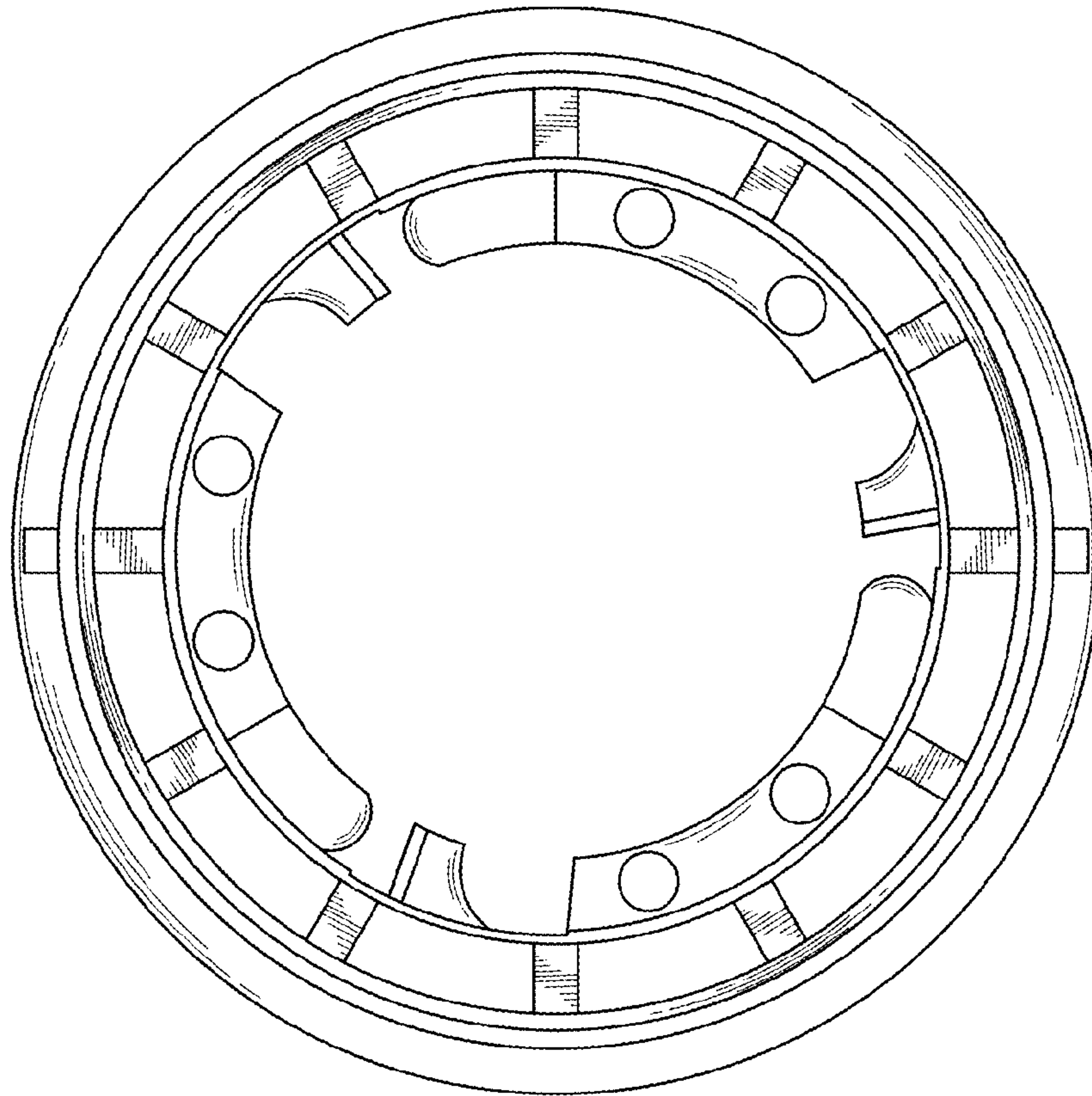


FIG. 2

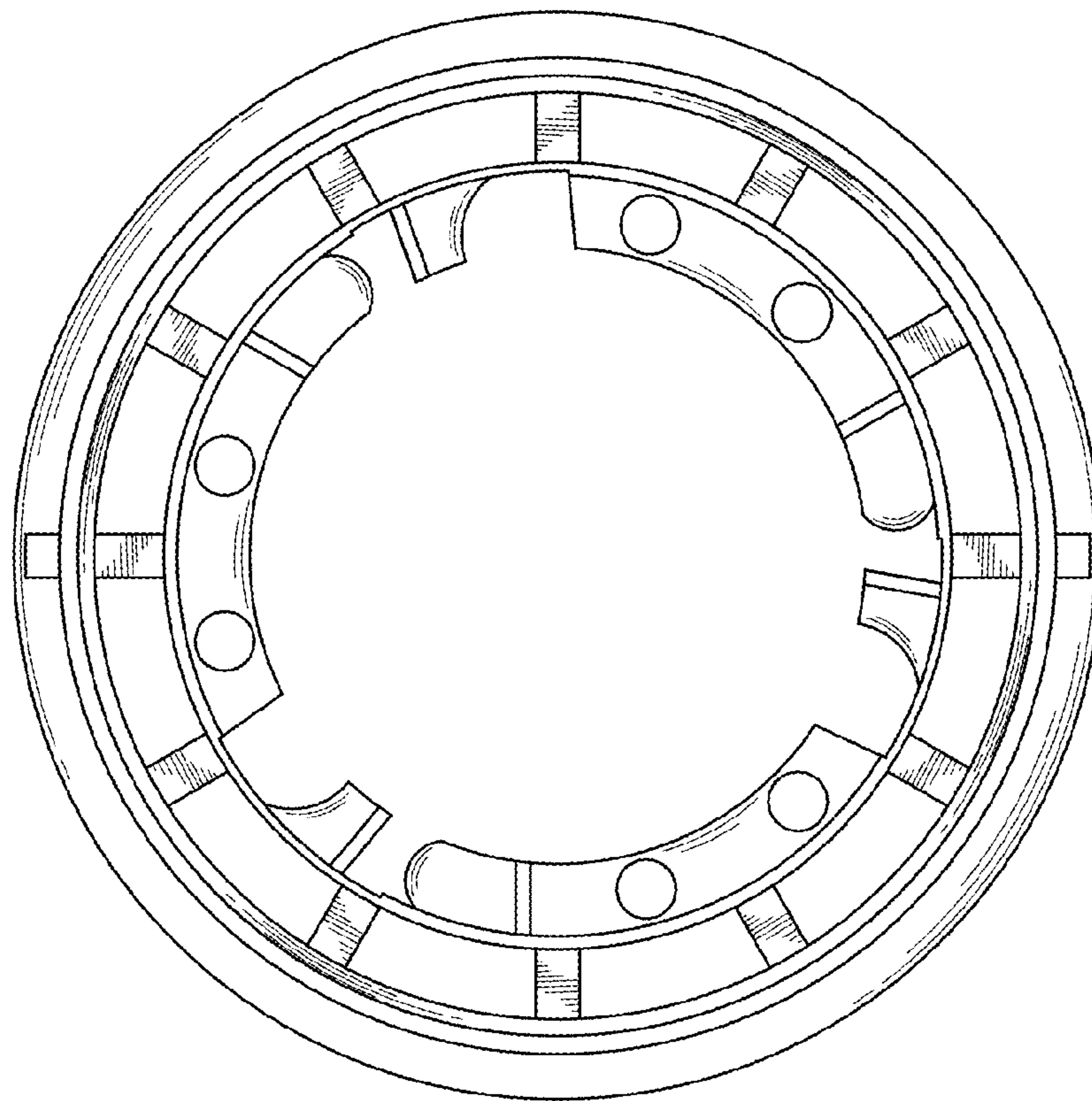


FIG. 3



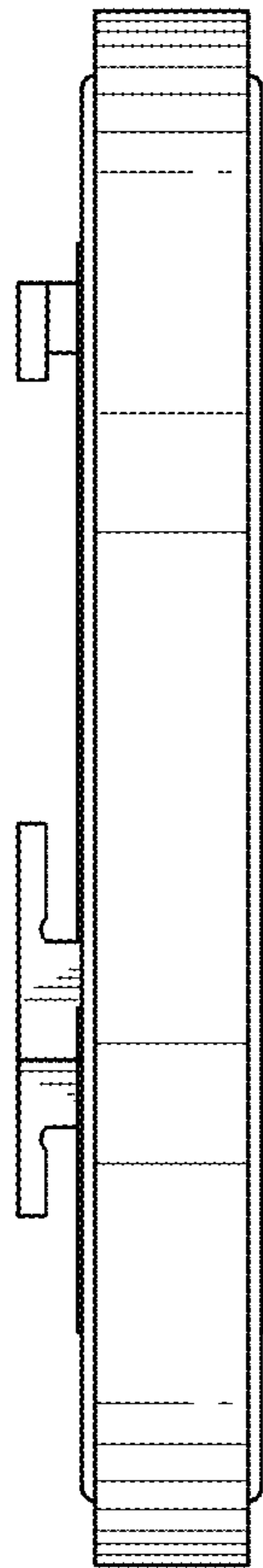


FIG. 4



FIG. 5

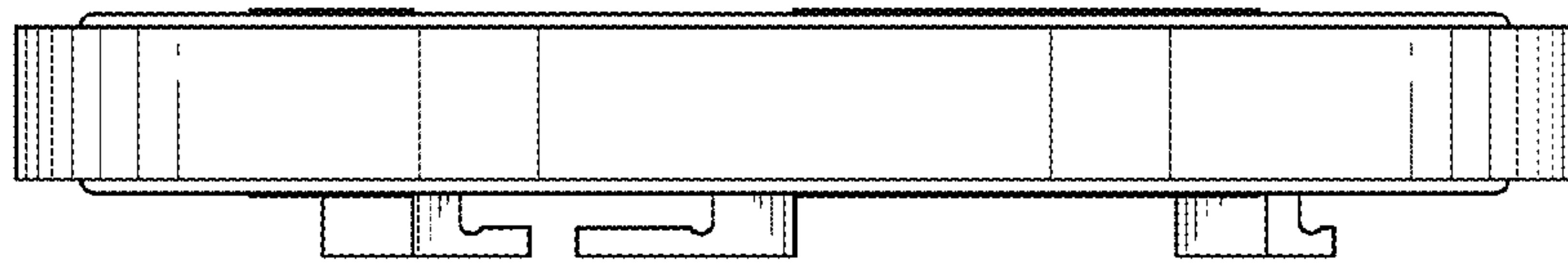


FIG. 6

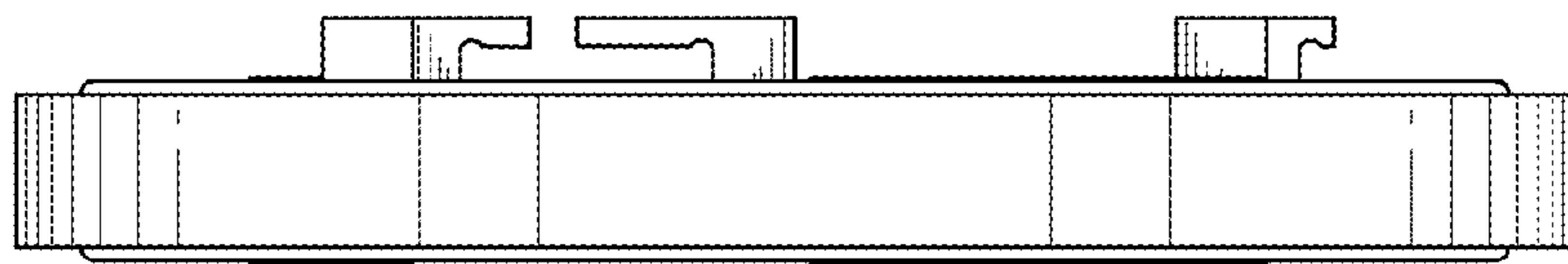


FIG. 7