



US00D704311S

(12) **United States Design Patent**
Chen

(10) **Patent No.:** **US D704,311 S**

(45) **Date of Patent:** **** May 6, 2014**

(54) **SENSOR ASSEMBLY FOR TOUCH-FREE WATER-CONTROL APPARATUS**

(71) Applicant: **Chung-Chia Chen**, La Habra Heights, CA (US)

(72) Inventor: **Chung-Chia Chen**, La Habra Heights, CA (US)

(73) Assignee: **Chung-Chia Chen**, La Habra Heights, CA (US)

(**) Term: **14 Years**

(21) Appl. No.: **29/470,425**

(22) Filed: **Oct. 21, 2013**

Related U.S. Application Data

(63) Continuation of application No. 29/447,324, filed on Mar. 1, 2013, now Pat. No. Des. 692,110, which is a continuation of application No. 29/402,668, filed on Sep. 26, 2011, now Pat. No. Des. 677,366.

(51) **LOC (10) Cl.** **23-01**

(52) **U.S. Cl.**
USPC **D23/255**

(58) **Field of Classification Search**
USPC D23/238, 255, 257; 4/675-678;
137/801

See application file for complete search history.

(56) **References Cited**

U.S. PATENT DOCUMENTS

6,019,130	A	2/2000	Rump	
6,513,787	B1	2/2003	Jeromson et al.	
D534,622	S *	1/2007	Chu et al.	D23/238
D610,653	S *	2/2010	Schoenherr et al.	D23/238
2009/0056011	A1	3/2009	Wolf et al.	

* cited by examiner

Primary Examiner — Robert Delehanty

(74) *Attorney, Agent, or Firm* — Knobbe Martens Olson & Bear LLP

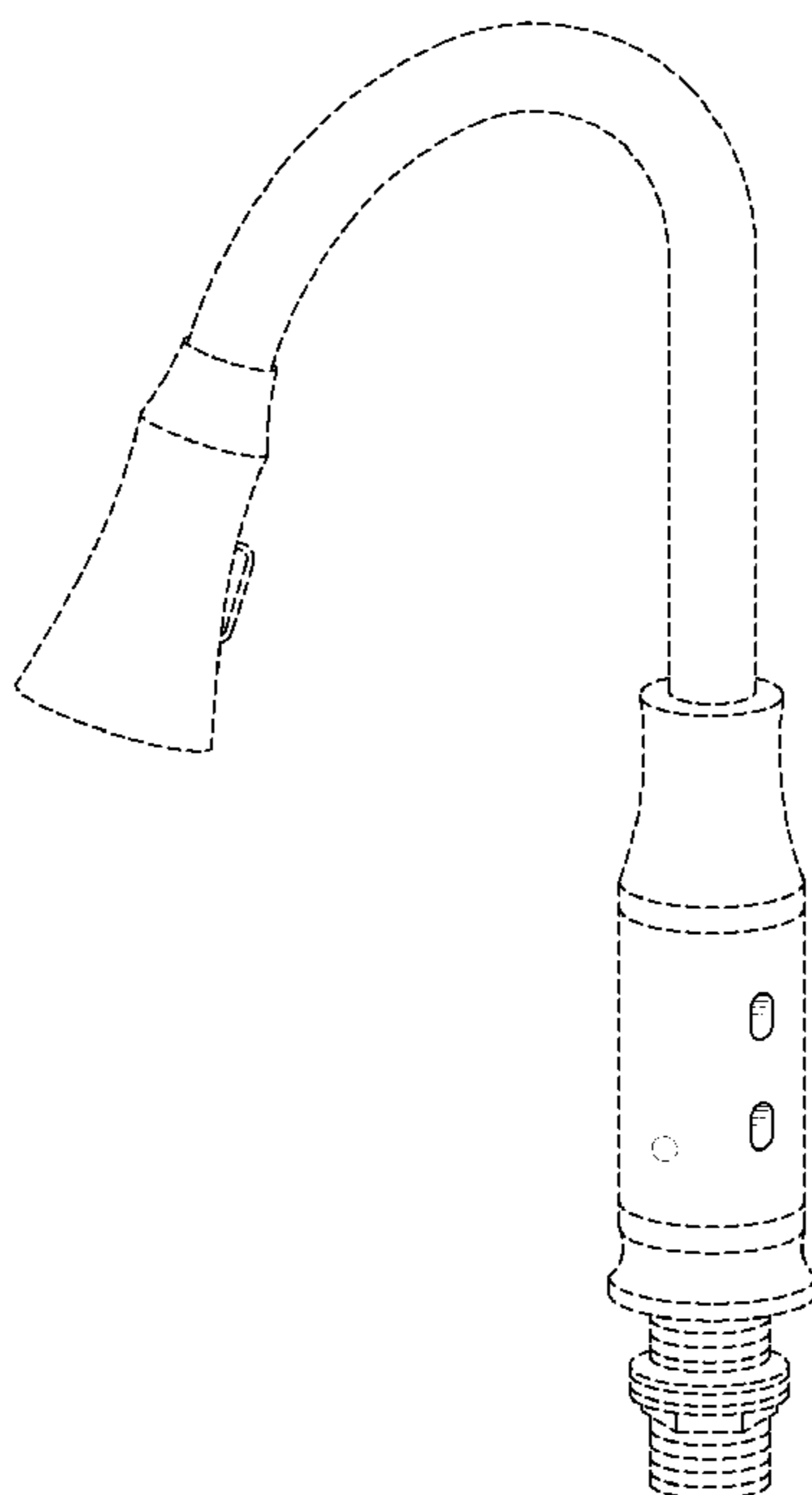
(57) **CLAIM**

I claim the ornamental design for a sensor assembly for touch-free water-control apparatus, as shown and described.

DESCRIPTION

FIG. 1 is a perspective view of a first embodiment of a sensor assembly for touch-free water-control apparatus; FIG. 2 is a front elevation view of the first embodiment of the sensor assembly for touch-free water-control apparatus; FIG. 3 is a rear elevation view of the sensor assembly for touch-free water-control apparatus; FIG. 4 is a left elevation view of the first embodiment of the sensor assembly for touch-free water-control apparatus; FIG. 5 is a right elevation view of the first embodiment of the sensor assembly for touch-free water-control apparatus; FIG. 6 is a top plan view of the first embodiment of the sensor assembly for touch-free water-control apparatus; and, FIG. 7 is a bottom plan view of the first embodiment of the sensor assembly for touch-free water-control apparatus. The broken lines showing a portion of a faucet are included for the purpose of illustrating a portion of a faucet that forms no part of the claimed design.

1 Claim, 4 Drawing Sheets



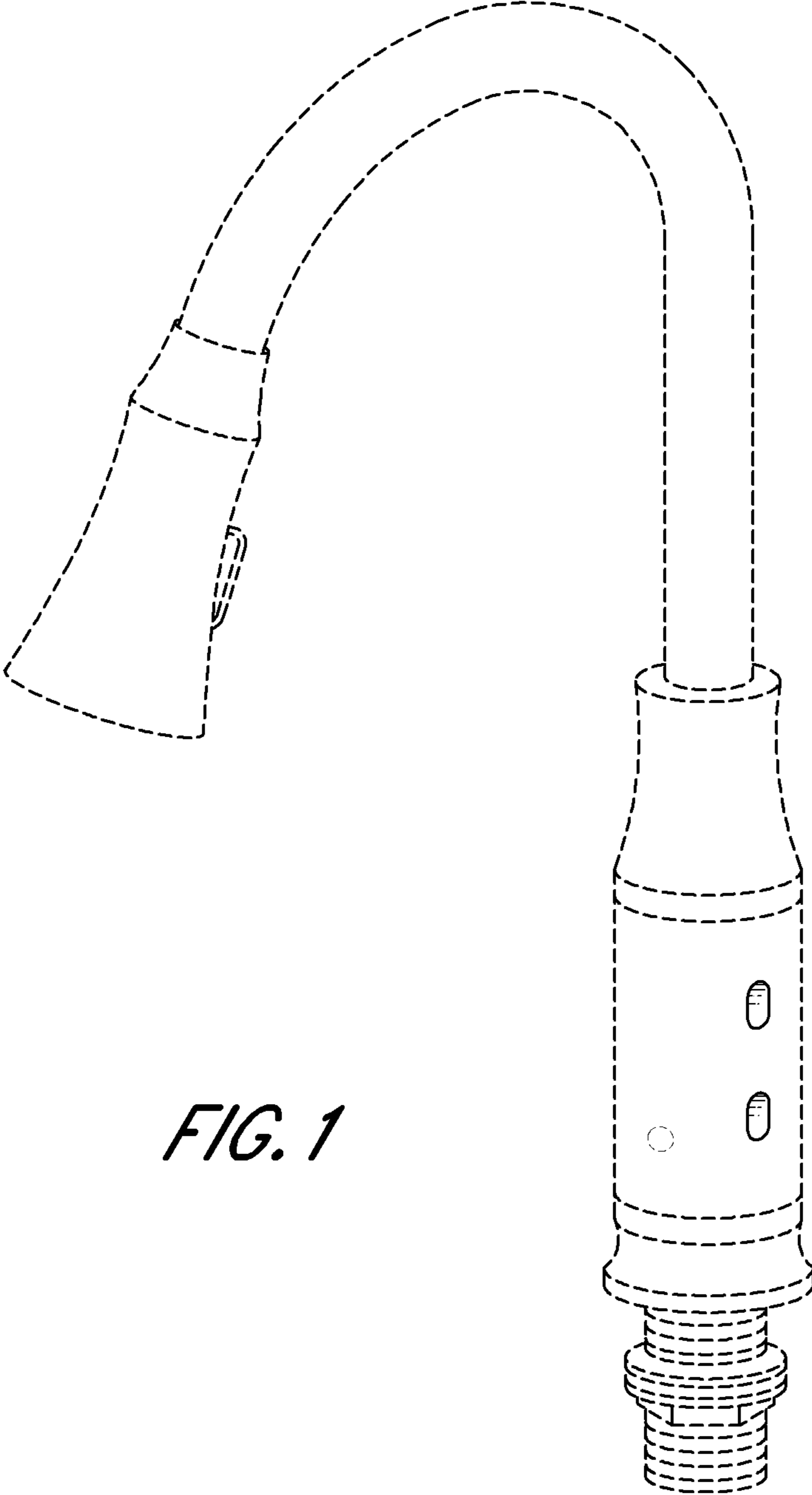


FIG. 1

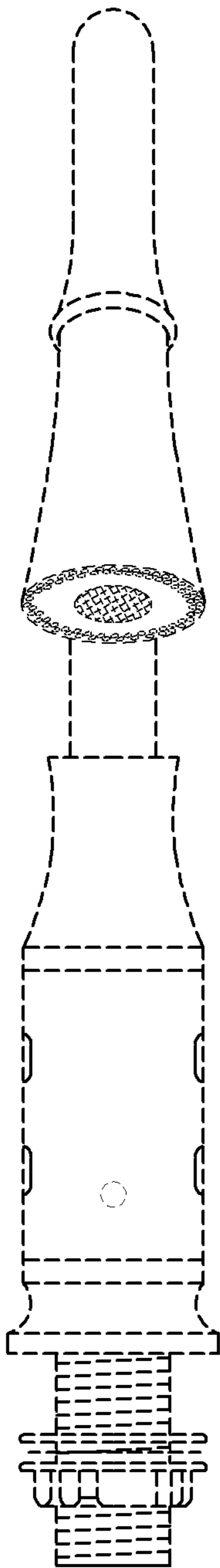


FIG. 2

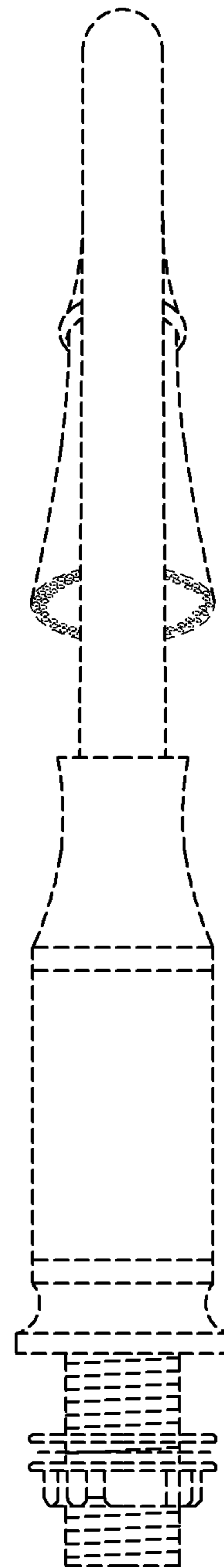


FIG. 3

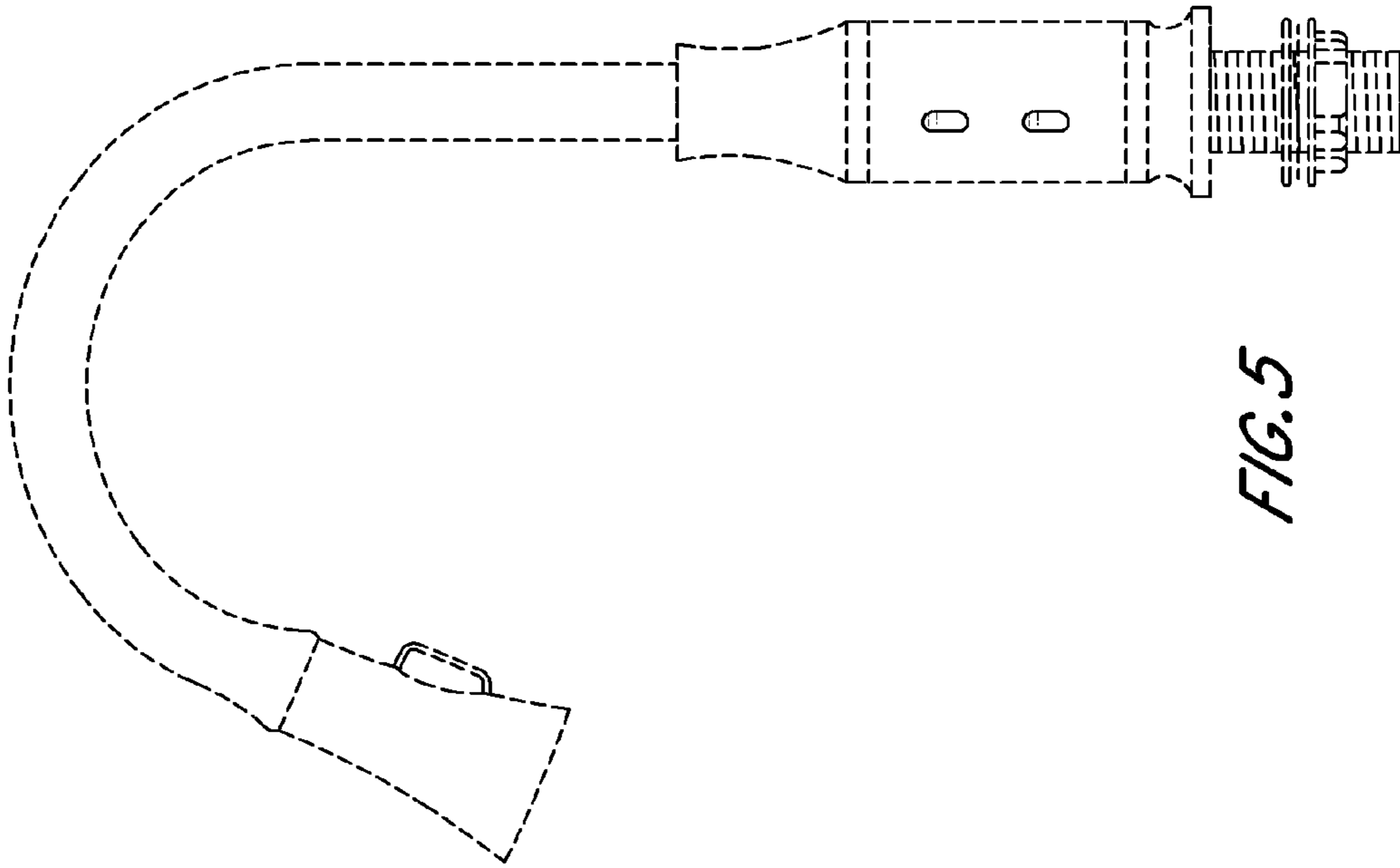


FIG. 5

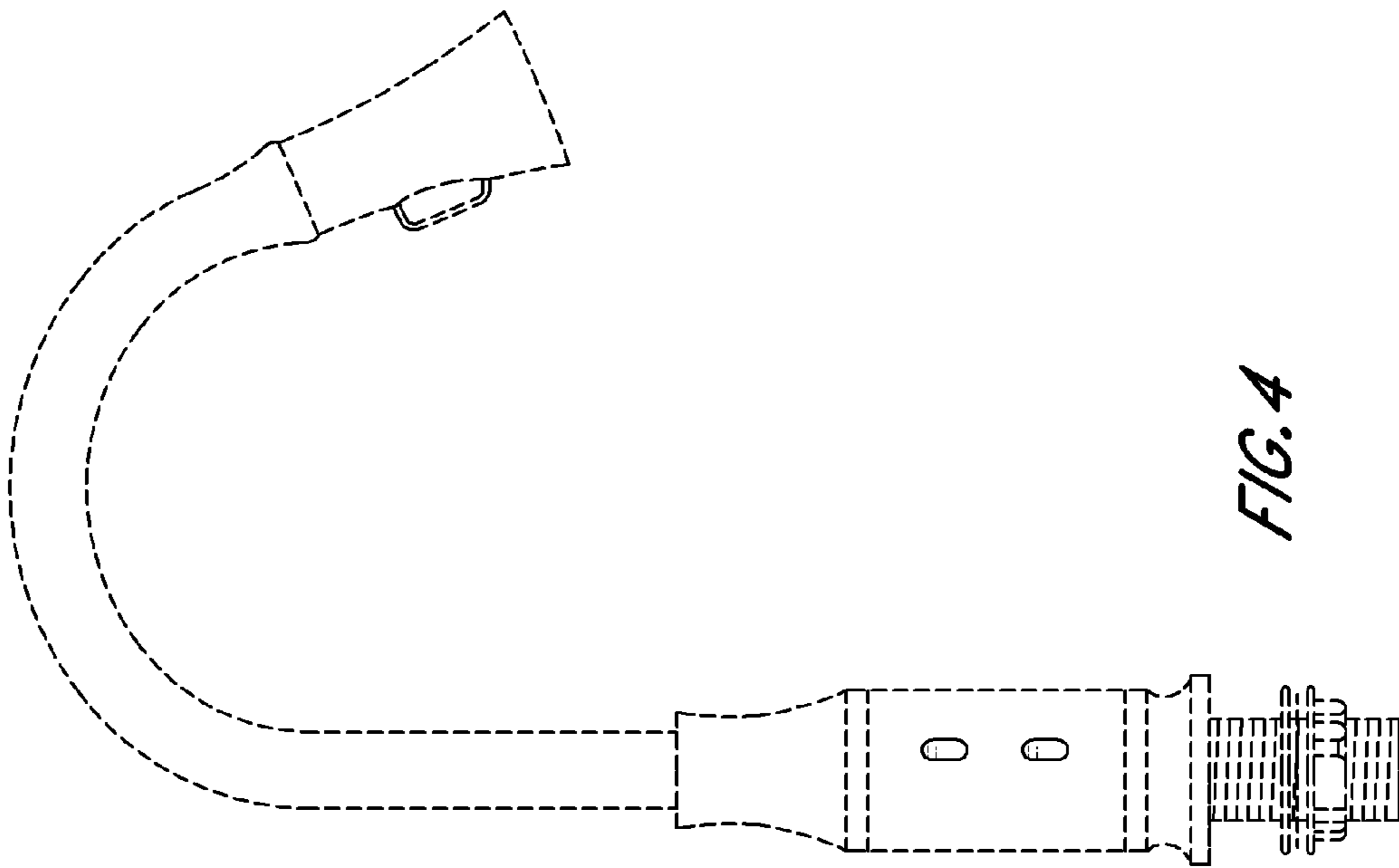


FIG. 4

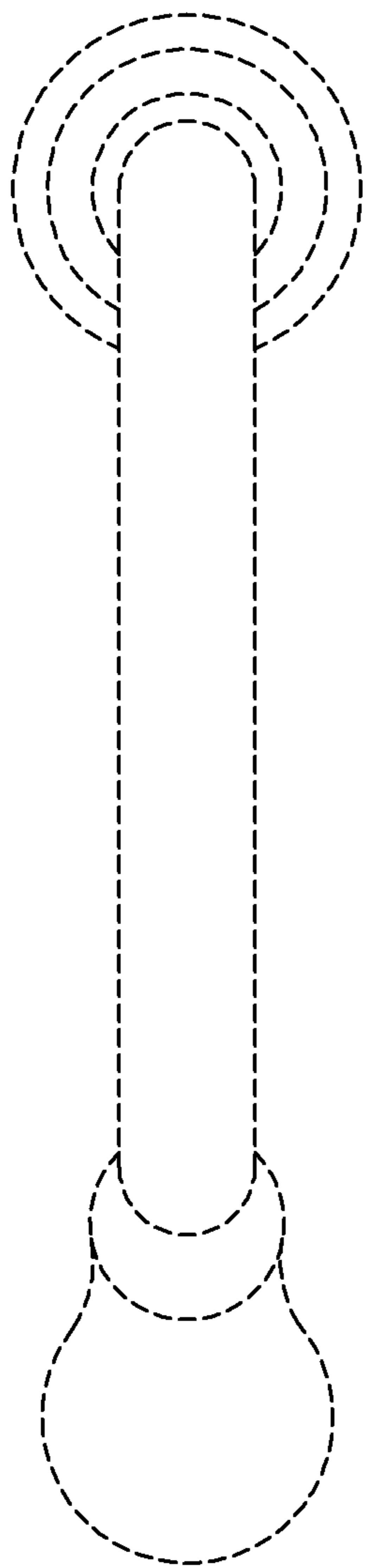


FIG. 6

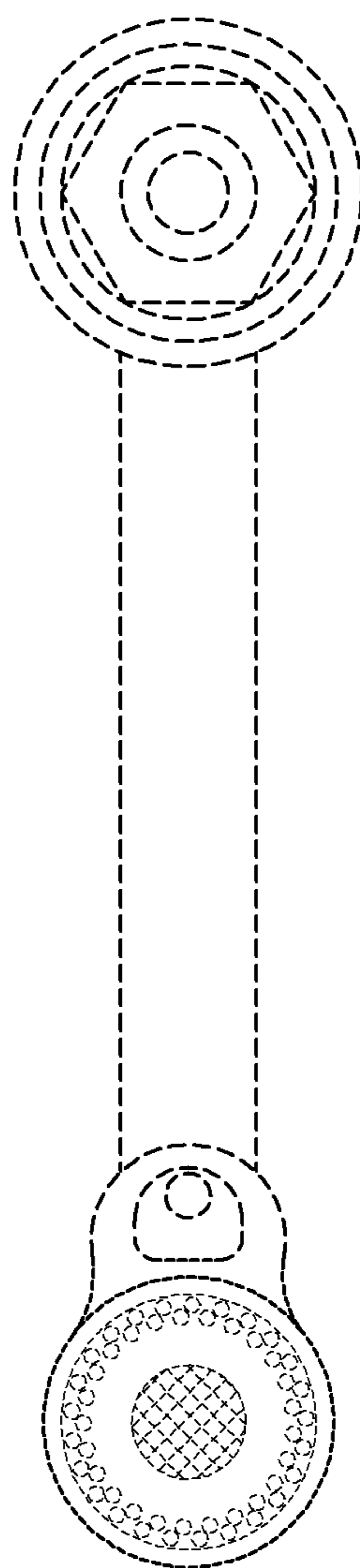


FIG. 7