



US00D704310S

(12) **United States Design Patent**
Flowers et al.

(10) **Patent No.:** **US D704,310 S**
(45) **Date of Patent:** **** May 6, 2014**

- (54) **WIDASET VALVE**
- (71) Applicant: **Grohe AG**, Hemer (DE)
- (72) Inventors: **Paul Flowers**, Duesseldorf (DE); **Jochen Allard**, Menden (DE)
- (73) Assignee: **Grohe AG**, Hemer (DE)
- (**) Term: **14 Years**
- (21) Appl. No.: **29/465,359**
- (22) Filed: **Aug. 27, 2013**

Primary Examiner — Robert Delehanty
(74) *Attorney, Agent, or Firm* — Muncy, Geissler, Olds & Lowe, P.C.

(30) **Foreign Application Priority Data**

- Apr. 2, 2013 (EM) 002212399-0005
- (51) **LOC (10) Cl.** **23-01**
- (52) **U.S. Cl.**
USPC **D23/252**
- (58) **Field of Classification Search**
USPC D23/238–243, 250, 252, 254;
4/675–678; 137/801
See application file for complete search history.

(57) **CLAIM**
The ornamental design for a widerset valve, as shown and described.

DESCRIPTION

FIG. 1 is a front elevational view of a widerset valve according to a second embodiment of the present invention.
FIG. 2 is a rear elevational view of the widerset valve of FIG. 1.
FIG. 3 is a right side elevational view of the widerset valve of FIG. 1.
FIG. 4 is a left side elevational view of the widerset valve of FIG. 1.
FIG. 5 is a top plan view of the widerset valve of FIG. 1.
FIG. 6 is a bottom plan view of the widerset valve of FIG. 1; and,
FIG. 7 is a perspective view of the widerset valve of FIG. 1.
The dashed lines illustrate environment that does not form a part of the present invention, and no claim is made to the material illustrated with dashed lines.

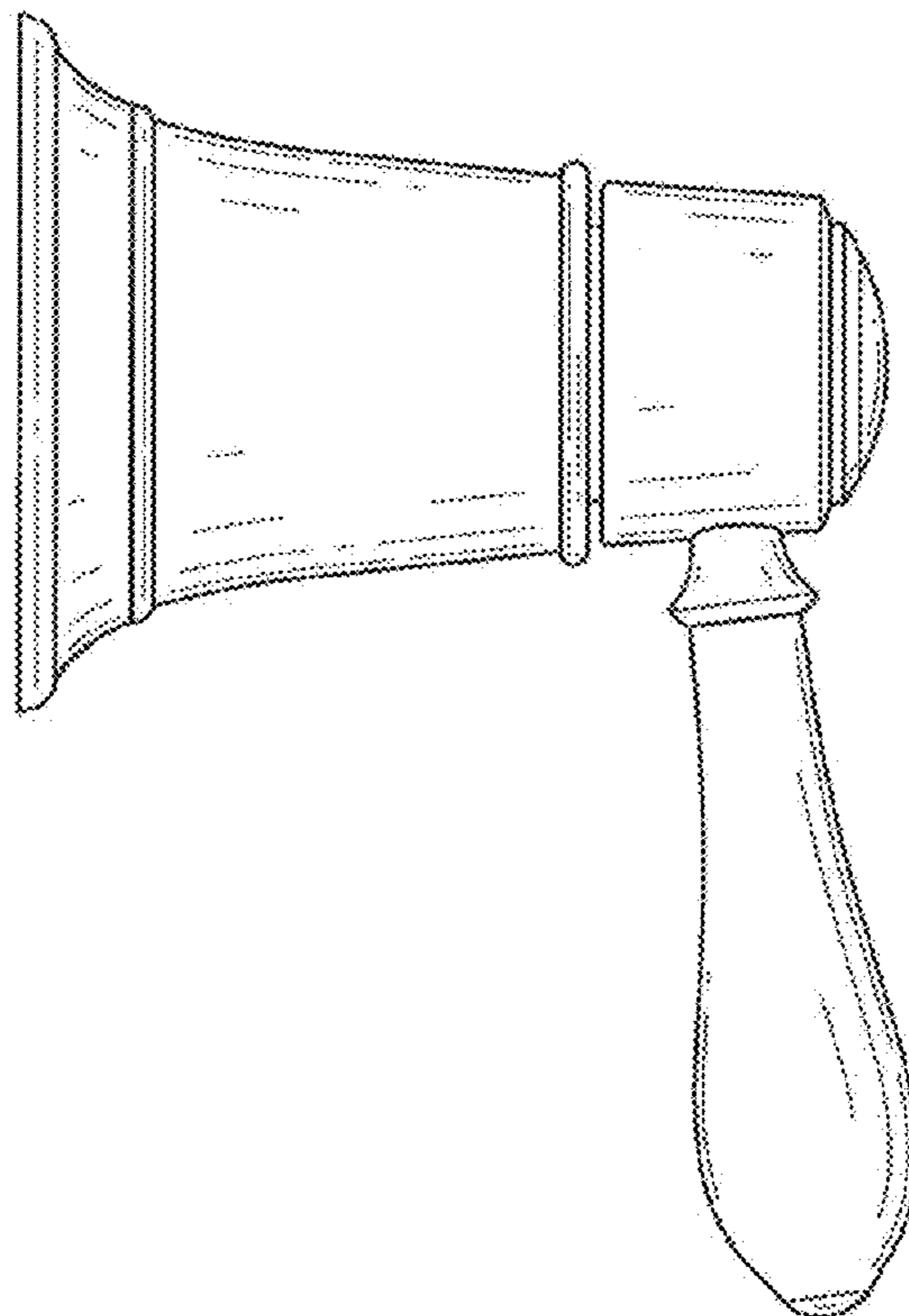
(56) **References Cited**

U.S. PATENT DOCUMENTS

- D465,266 S * 11/2002 Singtoroj D23/238
- D519,610 S * 4/2006 Fritz D23/241
- D655,787 S * 3/2012 Obara et al. D23/242

* cited by examiner

1 Claim, 7 Drawing Sheets



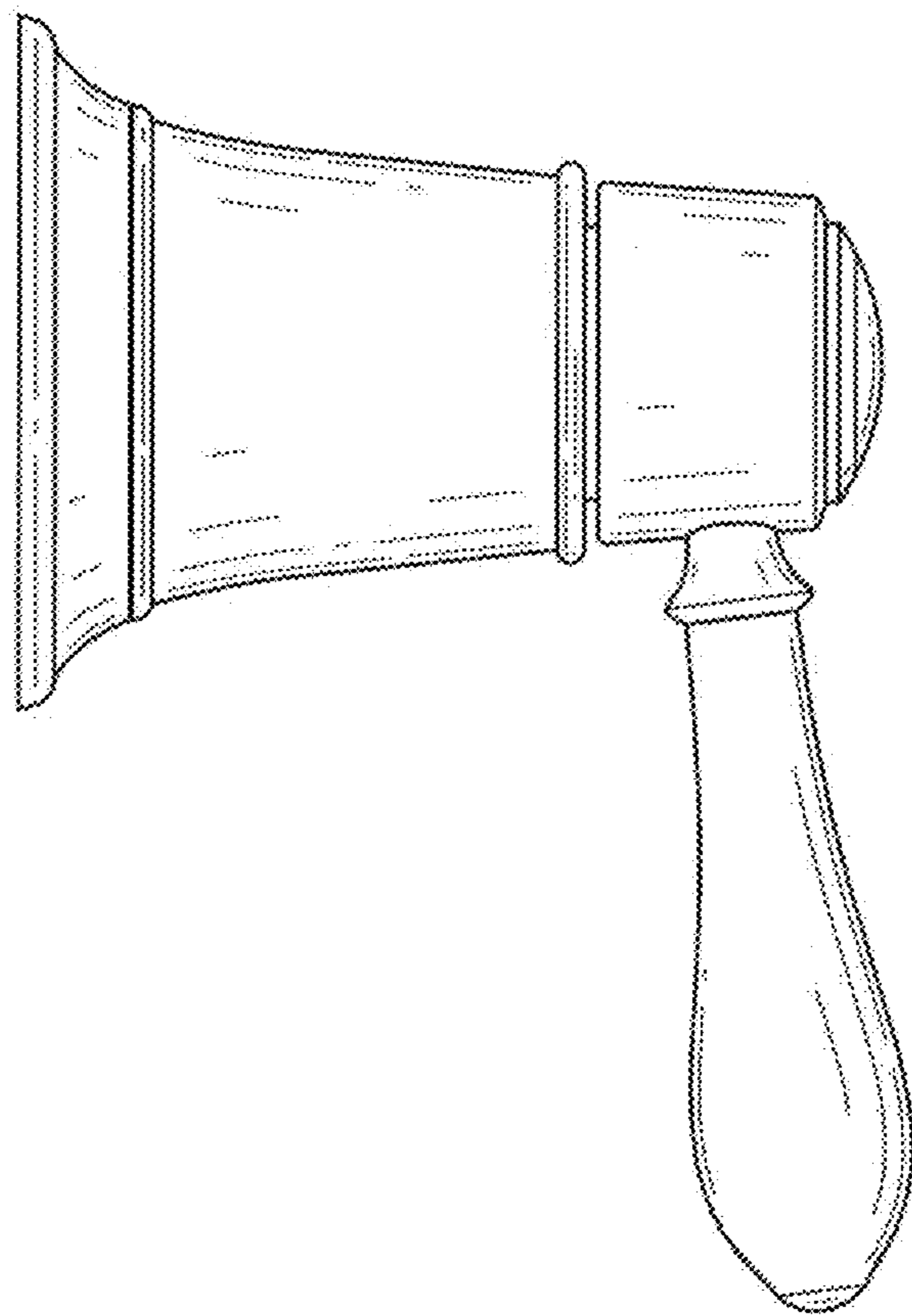


FIG.1

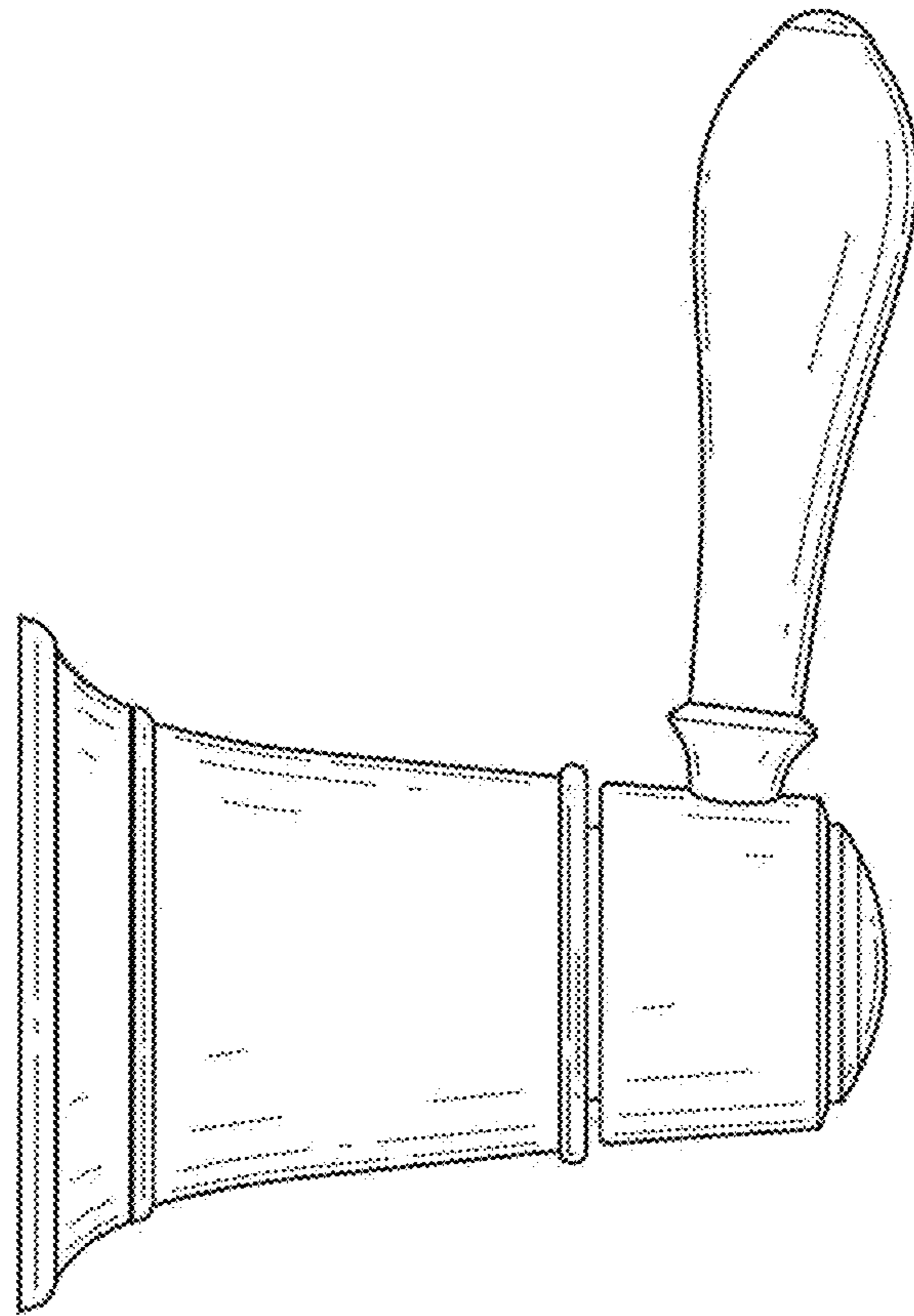


FIG.2

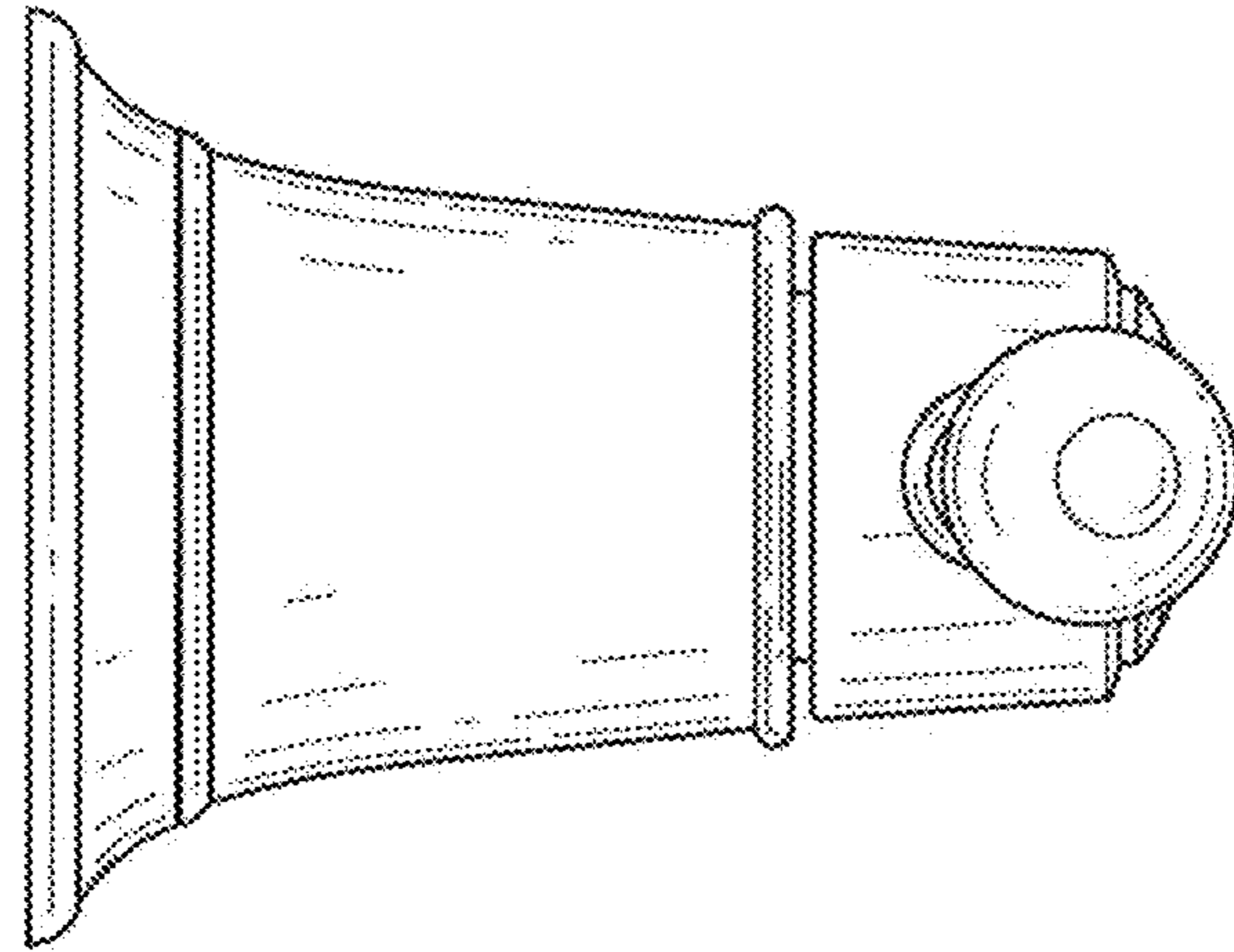


FIG.3

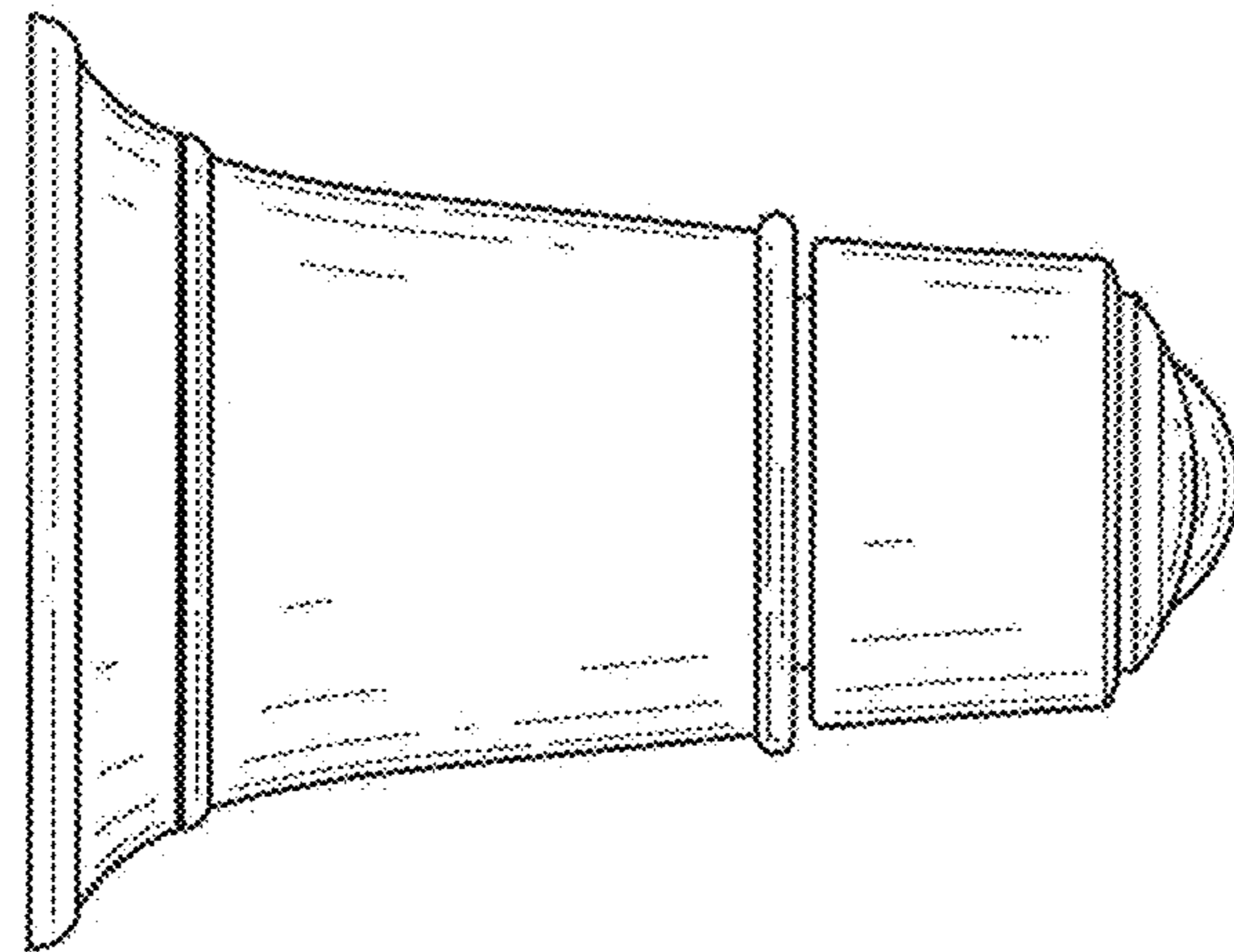


FIG.4

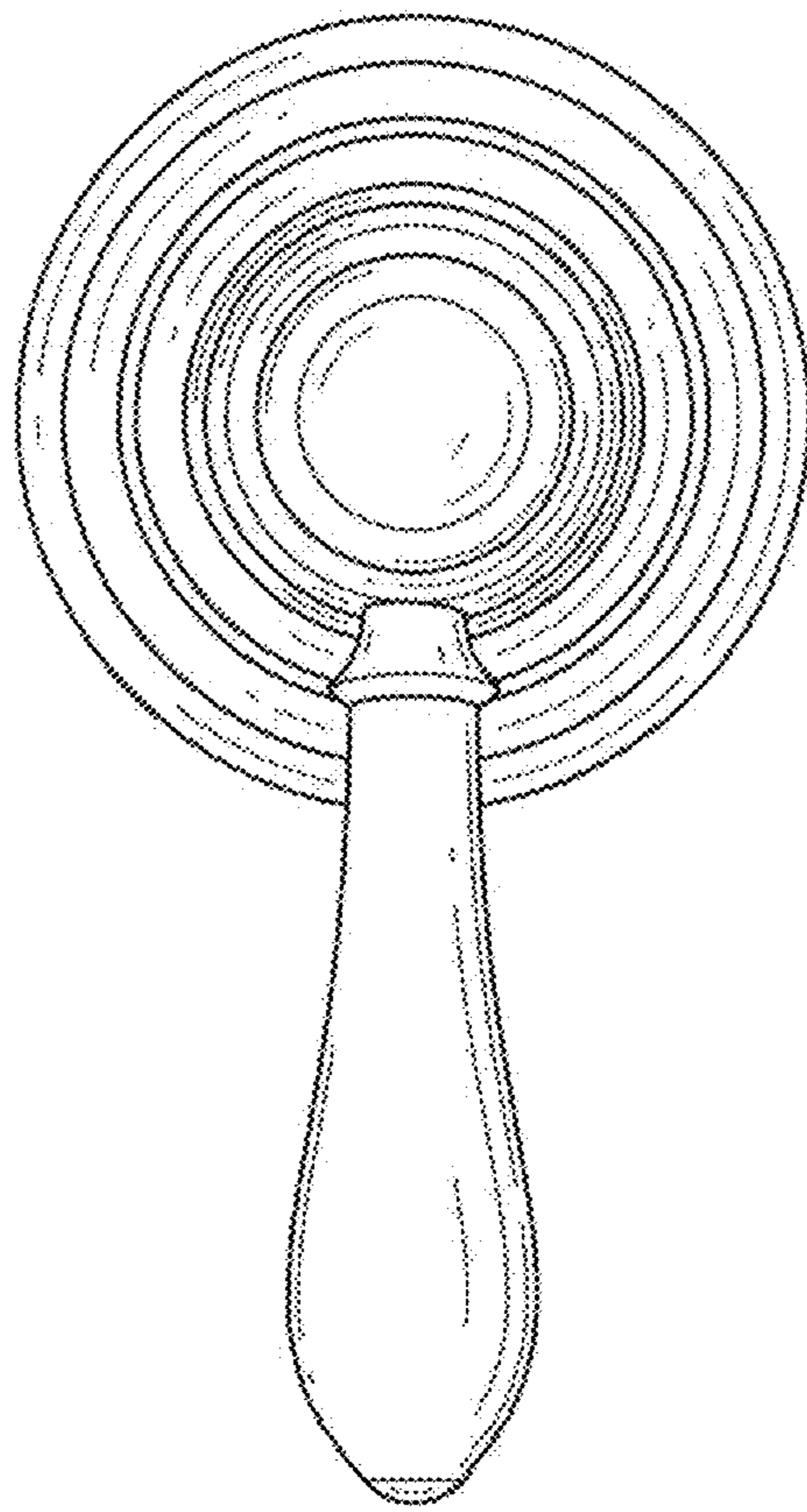


FIG.5

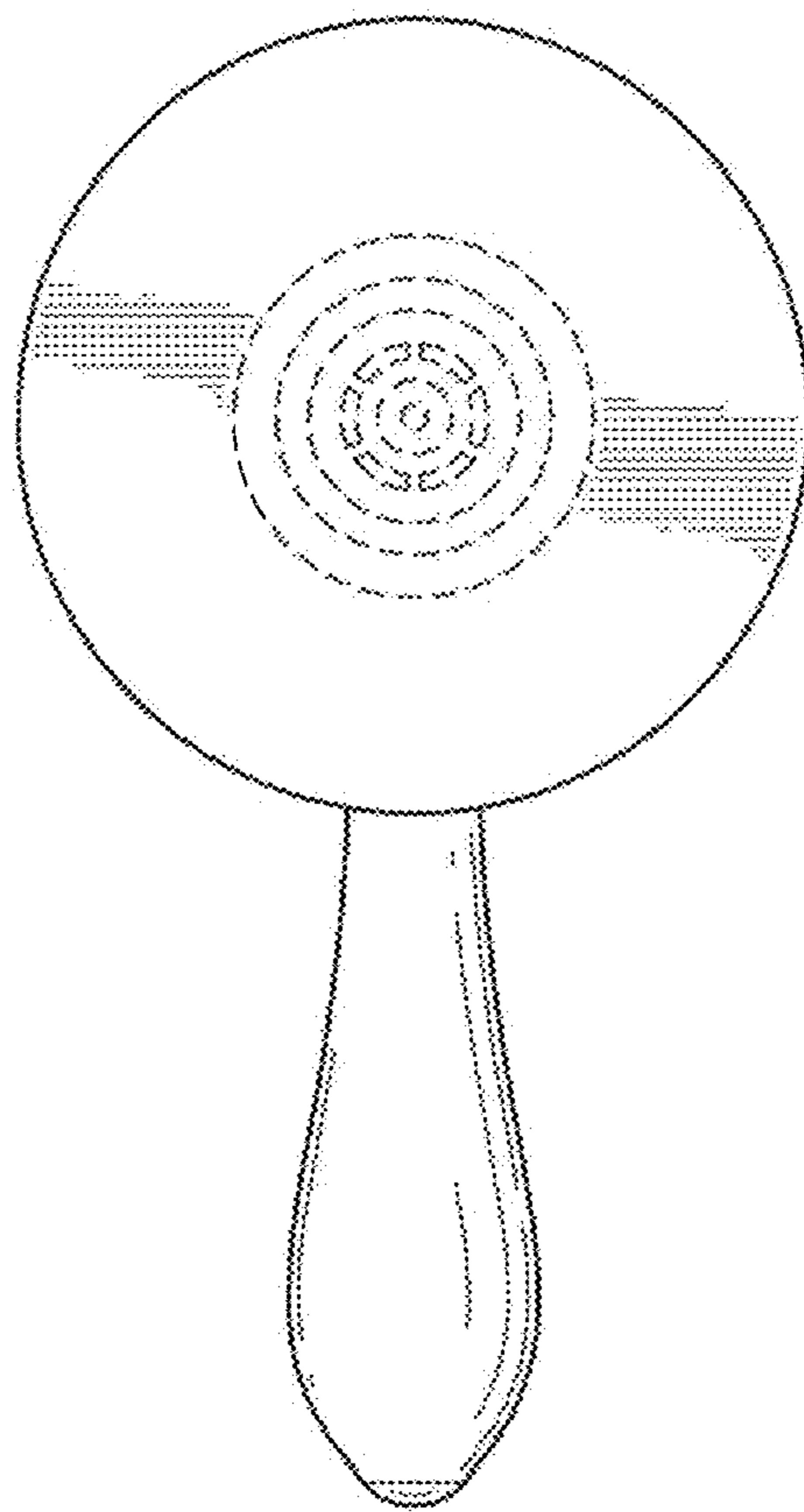


FIG. 6

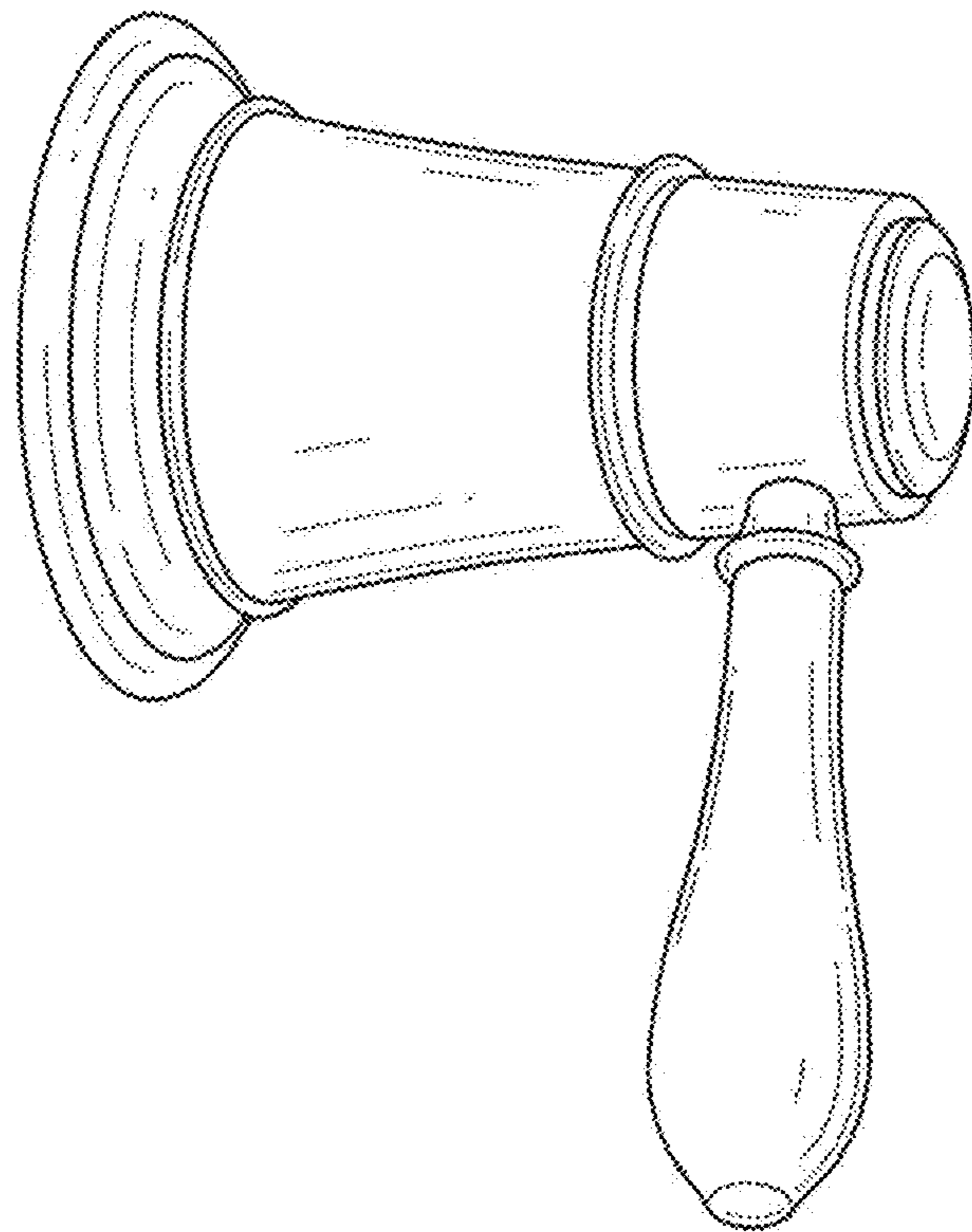


FIG.7