



US00D704308S

(12) **United States Design Patent**
Gilbert

(10) **Patent No.:** **US D704,308 S**

(45) **Date of Patent:** **** May 6, 2014**

- (54) **ESCUTCHEON**
- (71) Applicant: **Christopher Jon Gilbert**, Moreland Hills, OH (US)
- (72) Inventor: **Christopher Jon Gilbert**, Moreland Hills, OH (US)
- (73) Assignee: **Moen Incorporated**, North Olmsted, OH (US)
- (**) Term: **14 Years**
- (21) Appl. No.: **29/448,944**
- (22) Filed: **Mar. 14, 2013**
- (51) **LOC (10) Cl.** **23-01**
- (52) **U.S. Cl.**
USPC **D23/249; D8/350; D8/376; D6/550**
- (58) **Field of Classification Search**
USPC D23/249, 238–250, 252–255; D8/301, D8/310, 350, 352, 303, 315–321, 349, 354, D8/363, 373, 380, 331, 346, 330, 302, 341, D8/343, 338; D6/546–550, 518–523, 524; 70/271, 277, 278.1, 284, 278.4, 285, 70/450; 340/5.21, 5.54, 5.65, 5.73, 5.81, 340/5.85; 4/671–678; 137/801, 615; 211/13.1, 16, 60.1, 100, 86.01, 87.01, 211/88.04, 105.1–105.2, 123, 182, 181.1; 248/175, 176.1, 251, 302, 309.1; 16/110.1, 412, 415; 242/570, 590, 242/595–598; 174/66; 292/357, 347
See application file for complete search history.

D435,749	S	*	1/2001	Ming-Hsiao	D6/523
6,199,808	B1		3/2001	Lin		
D442,408	S		5/2001	de Vries		
D451,324	S		12/2001	Lai		
D451,738	S		12/2001	Yeh		
D454,459	S	*	3/2002	Meck et al.	D6/549
6,364,264	B1		4/2002	Lai		
D462,115	S		8/2002	Tse		
D476,836	S		7/2003	Lai		
D480,451	S	*	10/2003	Singtoroj et al.	D23/252
D494,455	S		8/2004	Winter et al.		
D513,166	S		12/2005	Huang		
D522,845	S	*	6/2006	Suero	D8/376
D522,847	S		6/2006	Suero, Jr.		
D533,641	S	*	12/2006	Singtoroj	D23/249
D543,754	S		6/2007	Bauer et al.		
D547,165	S	*	7/2007	Barrese	D8/380
D552,961	S		10/2007	Roberts		
D563,526	S		3/2008	Bauer		
D575,565	S	*	8/2008	Gilbert	D6/524

(Continued)

Primary Examiner — Mark Goodwin

(74) *Attorney, Agent, or Firm* — Calfee, Halter & Griswold LLP

(57) **CLAIM**

The ornamental design for an escutcheon, as shown and described.

DESCRIPTION

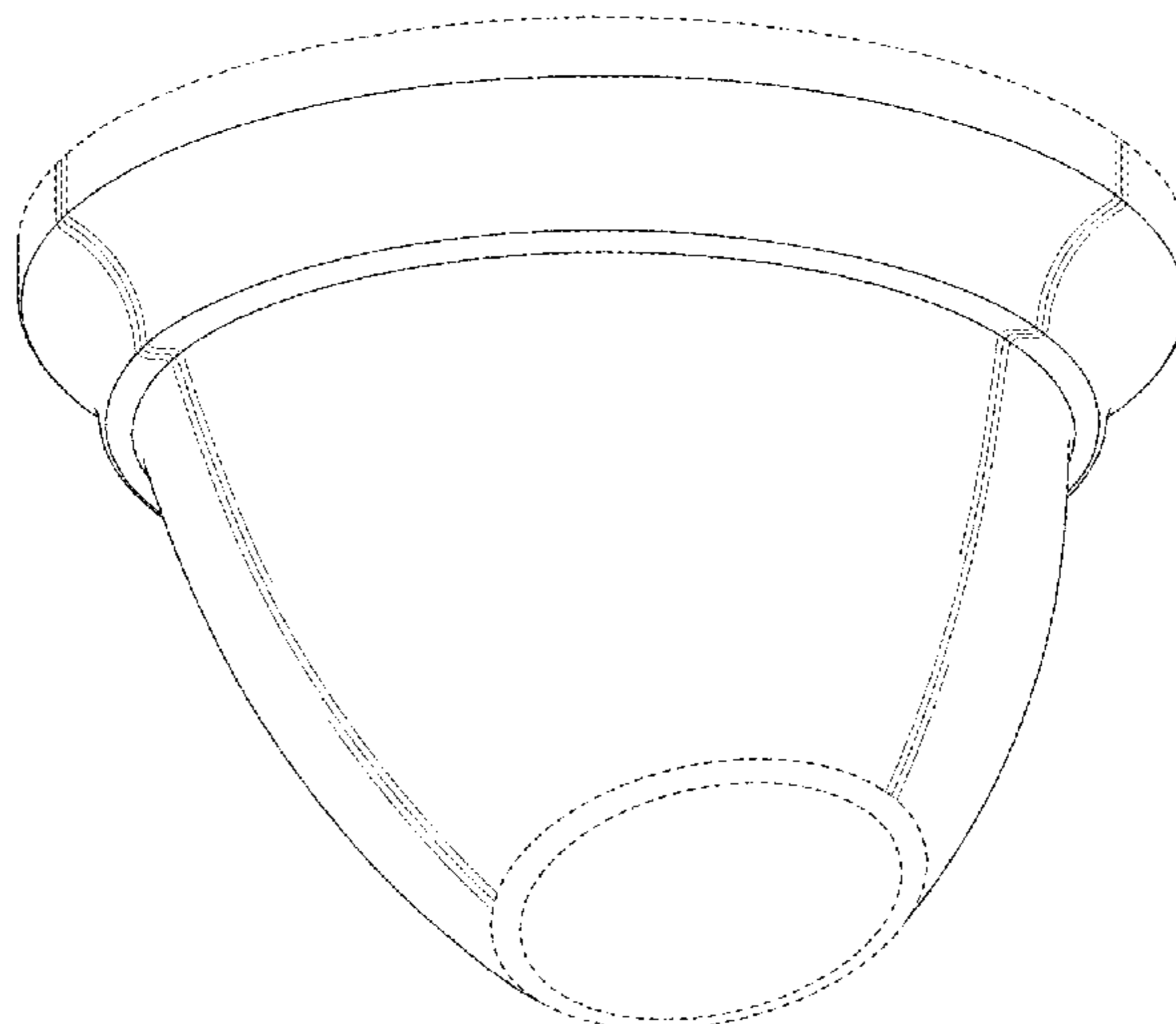
FIG. 1 is a perspective view of an escutcheon of the new design;
 FIG. 2 is a front elevational view of the escutcheon of FIG. 1;
 FIG. 3 is a left side elevational view of the escutcheon of FIG. 1;
 FIG. 4 is a right side elevational view of the escutcheon of FIG. 1; and,
 FIG. 5 is a top plan view of the escutcheon of FIG. 1, the bottom plan view being a mirror image thereof.
 The portions of the Figures shown in broken lines are not part of the claimed design and are for illustration only.

1 Claim, 3 Drawing Sheets

(56) **References Cited**

U.S. PATENT DOCUMENTS

1,374,026	A	4/1921	Nelson		
5,065,540	A	11/1991	Potter, Jr.		
D391,831	S	*	3/1998	Doughty et al. D8/321
5,894,610	A	4/1999	Winter		



US D704,308 S

Page 2

(56)

References Cited

U.S. PATENT DOCUMENTS

D604,076 S 11/2009 Chen
D605,935 S * 12/2009 Zeyfang D8/402
D627,443 S * 11/2010 Sedwick D23/252

7,857,151 B2 * 12/2010 Barrese 211/105.3
D640,078 S * 6/2011 Gilbert D6/524
8,146,182 B2 4/2012 Bauer
8,205,760 B2 6/2012 Chang
D671,395 S 11/2012 Harwanko

* cited by examiner

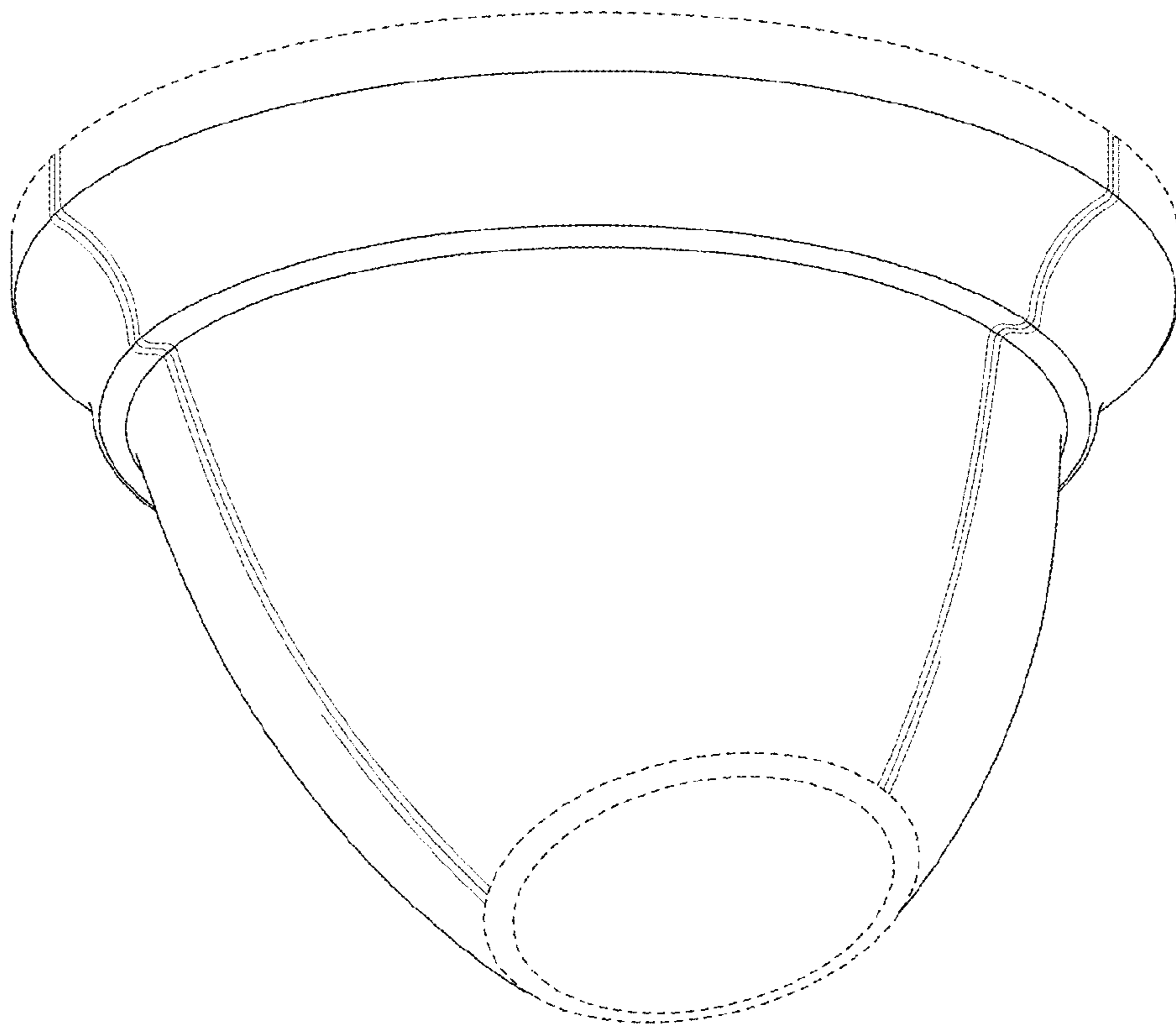


FIG. 1

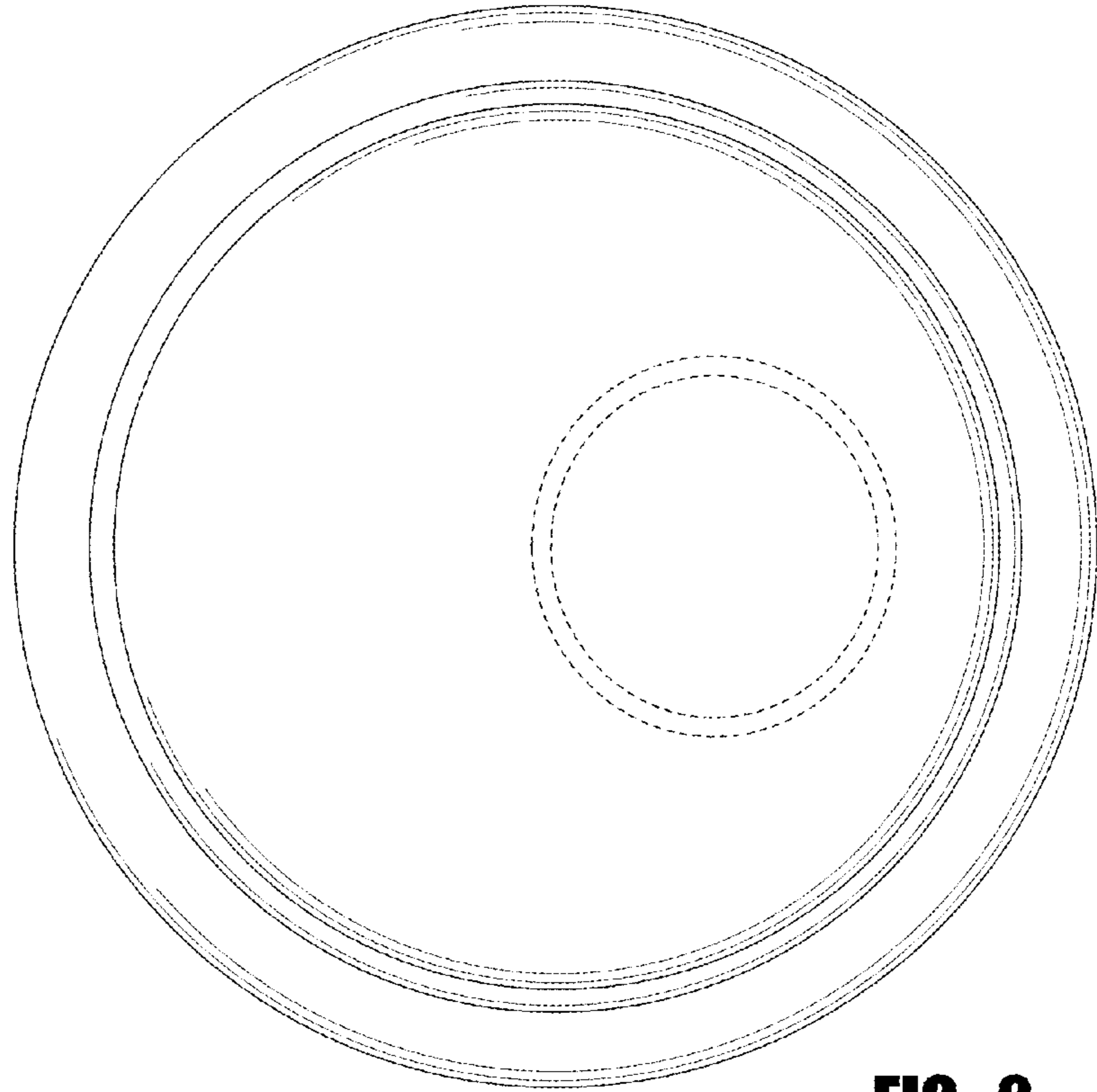


FIG. 2

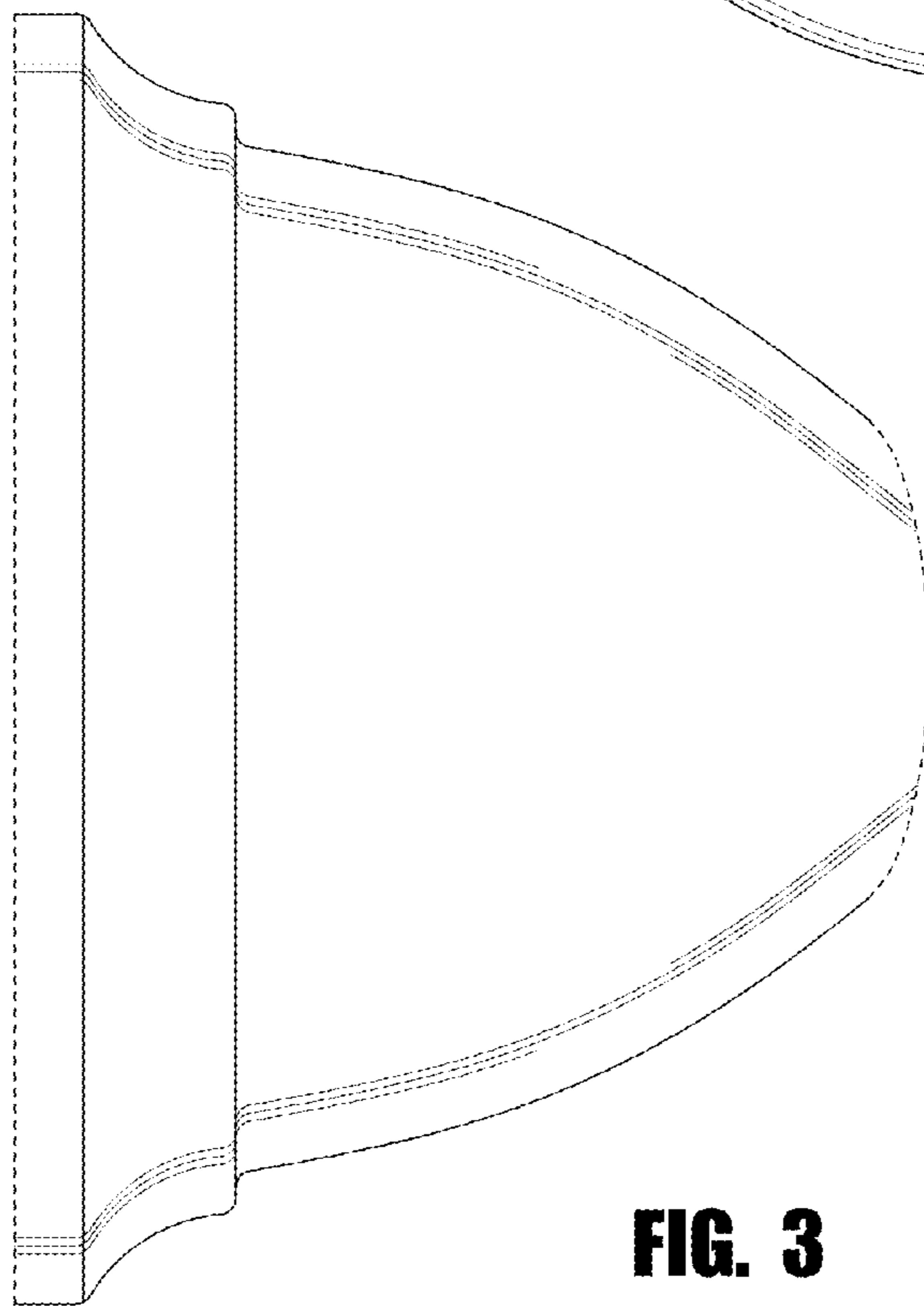


FIG. 3

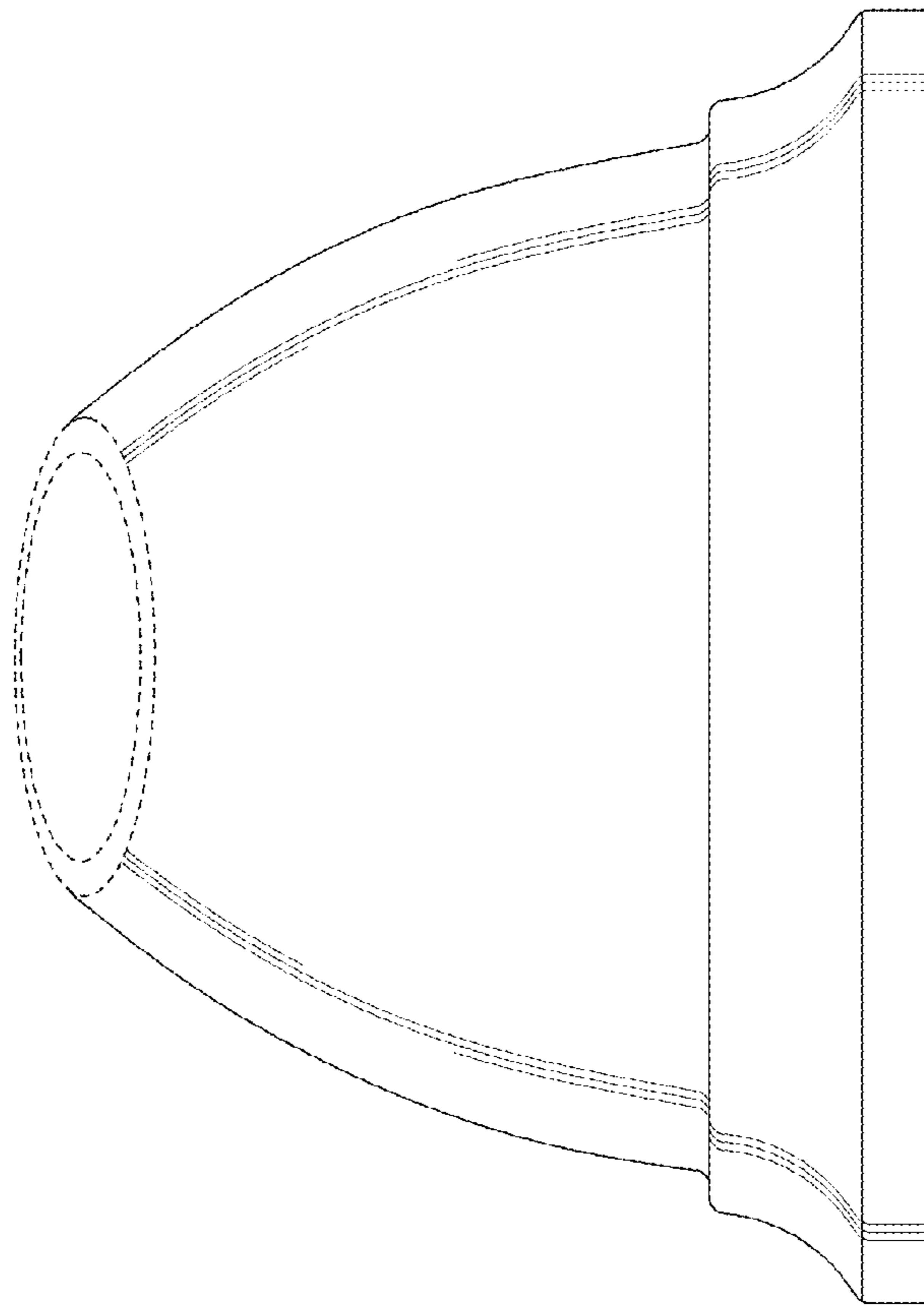


FIG. 4

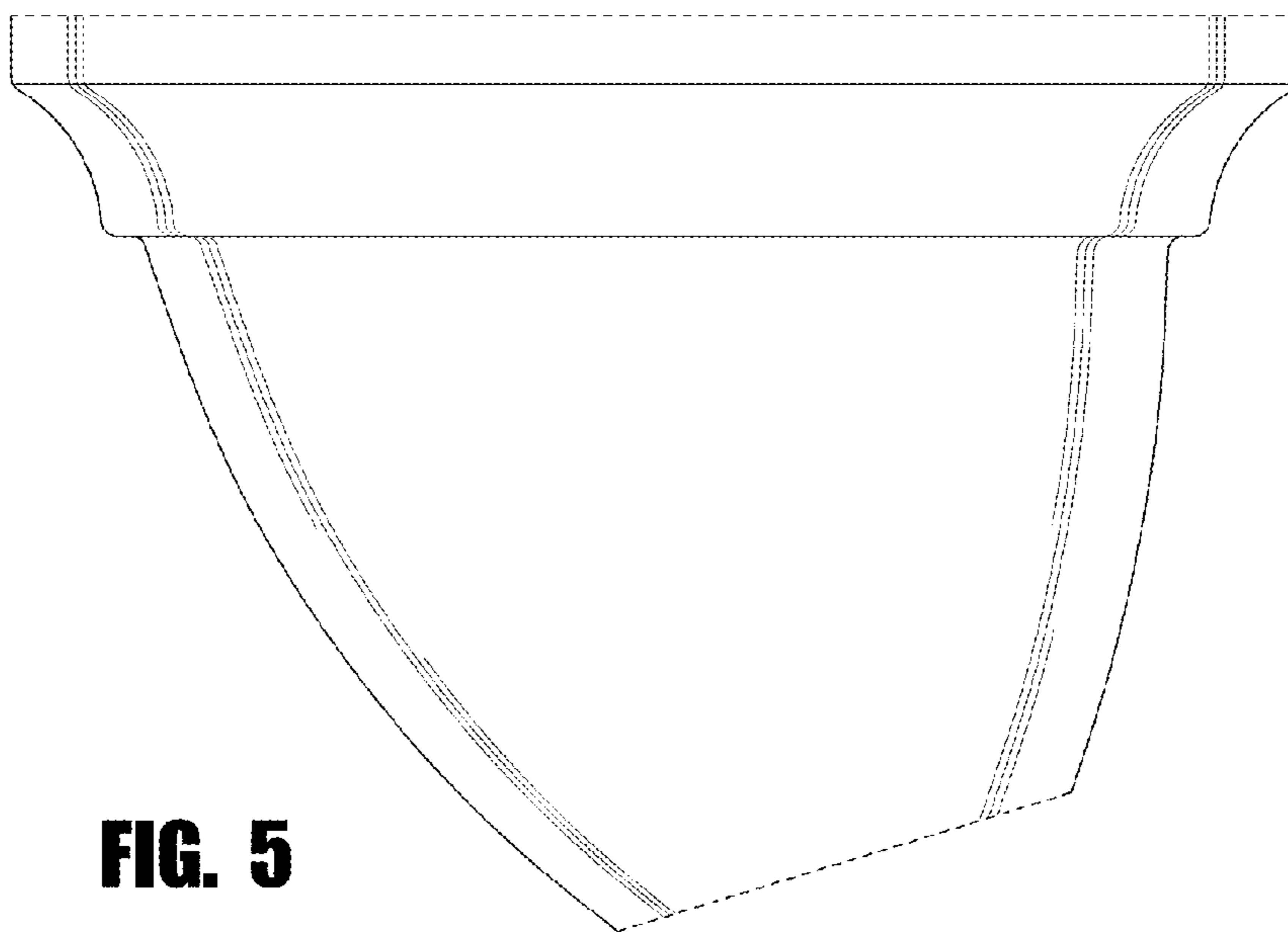


FIG. 5