

US00D704303S

(12) **United States Design Patent**
Yoshimura et al.

(10) **Patent No.:** **US D704,303 S**

(45) **Date of Patent:** **** May 6, 2014**

(54) **ELECTROMAGNETIC VALVE**

(71) Applicant: **SMC Corporation**, Chiyoda-ku (JP)

(72) Inventors: **Shinichi Yoshimura**, Moriya (JP);
Hiromichi Yoshioka, Bando (JP)

(73) Assignee: **SMC Corporation**, Chiyoda-ku (JP)

(**) Term: **14 Years**

(21) Appl. No.: **29/451,075**

(22) Filed: **Mar. 27, 2013**

(30) **Foreign Application Priority Data**

Oct. 19, 2012 (JP) 2012-025474

(51) **LOC (10) Cl.** **23-01**

(52) **U.S. Cl.**
USPC **D23/233**

(58) **Field of Classification Search**
USPC D23/233–237, 244–249; D15/5, 7, 199;
137/554, 557, 560, 882, 884, 269, 271,
137/343, 625.64; 251/12, 129.04, 130, 219,
251/331, 596.16, 597.13, 30.01; 4/304
See application file for complete search history.

(56) **References Cited**

U.S. PATENT DOCUMENTS

- 4,470,426 A * 9/1984 Kitamura 137/85
- 4,856,478 A * 8/1989 Weber et al. 123/406.69
- 5,603,355 A * 2/1997 Miyazoe et al. 137/625.64
- D427,663 S * 7/2000 Hayashi et al. D23/233
- D458,985 S * 6/2002 Kleffmann D23/233
- D594,929 S * 6/2009 Takakuwa et al. D23/233

- D594,930 S * 6/2009 Takakuwa et al. D23/233
- D623,270 S * 9/2010 Fukano et al. D23/233
- D639,393 S * 6/2011 Hayashi D23/233
- D653,307 S * 1/2012 Senba D23/233
- D653,308 S * 1/2012 Senba D23/233
- D665,874 S * 8/2012 Senba D23/233
- D668,321 S * 10/2012 Senba D23/233

OTHER PUBLICATIONS

U.S. Appl. No. 29/451,201, Mar. 28, 2013, Yoshimura et al.

* cited by examiner

Primary Examiner — Cynthia Ramirez

(74) *Attorney, Agent, or Firm* — Oblon, Spivak,
McClelland, Maier & Neustadt, L.L.P.

(57) **CLAIM**

The ornamental design for an electromagnetic valve, as shown and described.

DESCRIPTION

FIG. 1 is a front elevational view of an electromagnetic valve;
 FIG. 2 is a rear elevational view thereof;
 FIG. 3 is a top plan view thereof;
 FIG. 4 is a bottom plan view thereof;
 FIG. 5 is a left side elevational view thereof;
 FIG. 6 is a right side elevational view thereof;
 FIG. 7 is a front, top, and right side perspective view thereof;
 and,
 FIG. 8 is a rear, bottom, and left side perspective view thereof.
 The broken lines in the drawings depict environmental subject matter only and form no part of the claimed design.

1 Claim, 4 Drawing Sheets

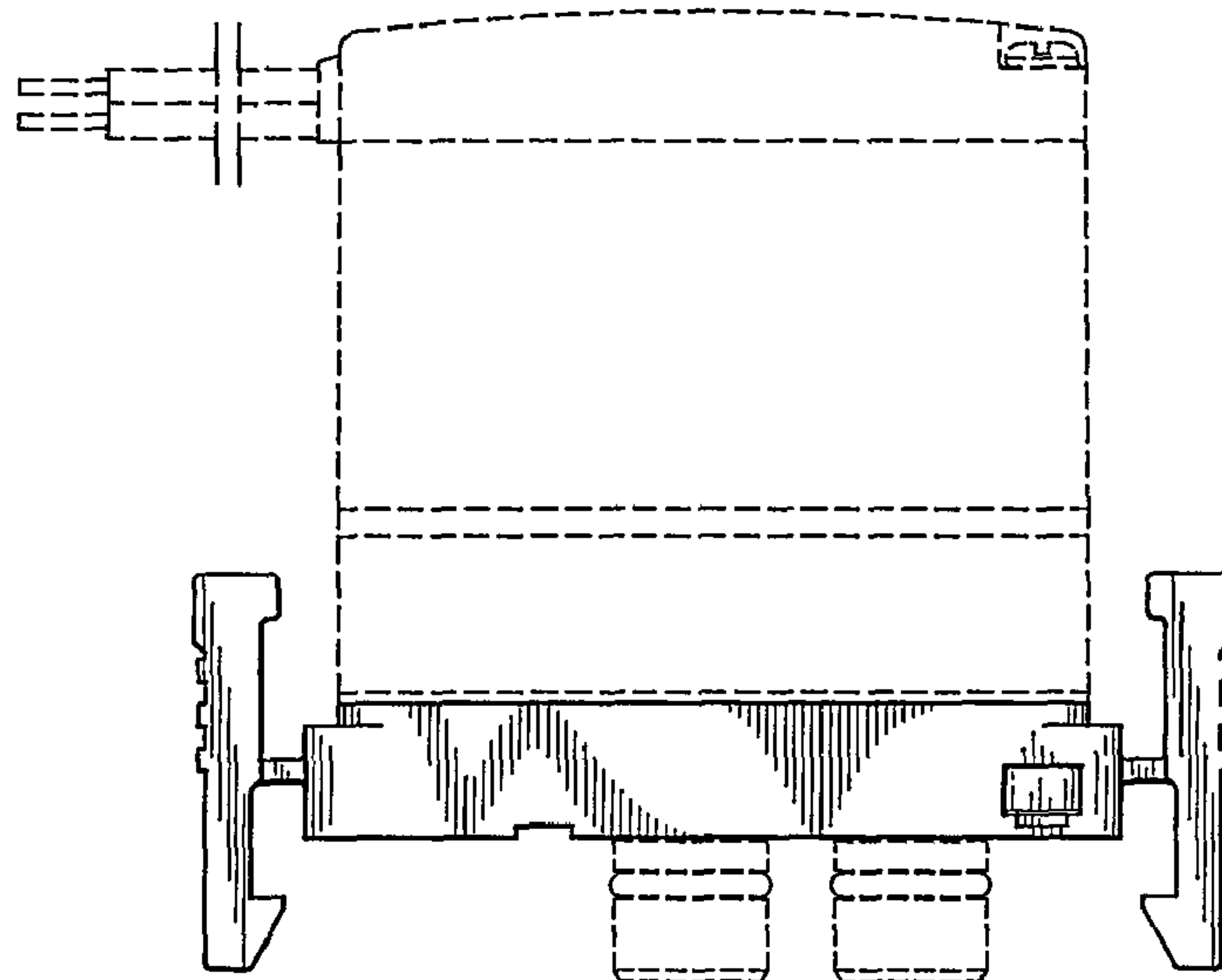


Fig. 1

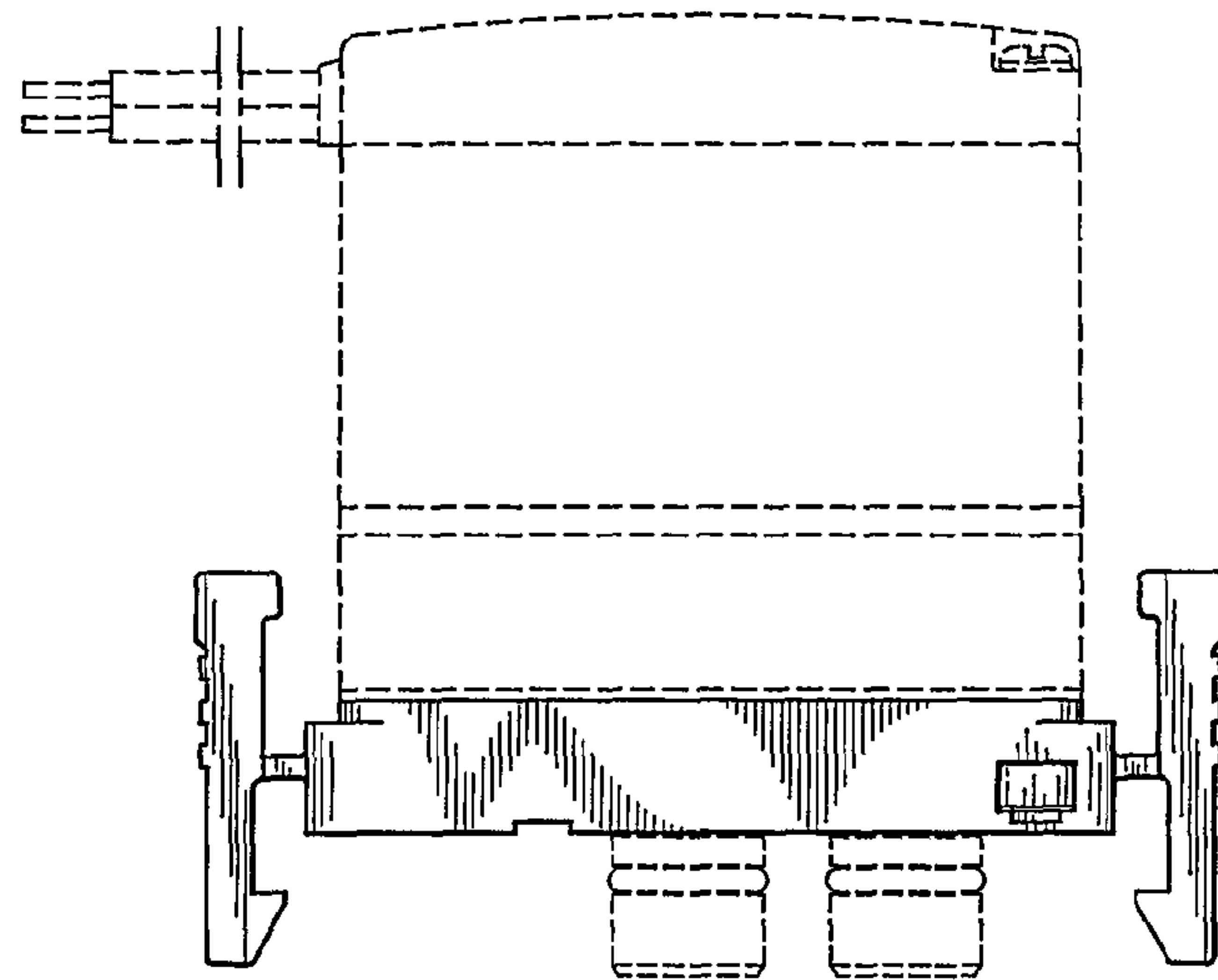


Fig. 2

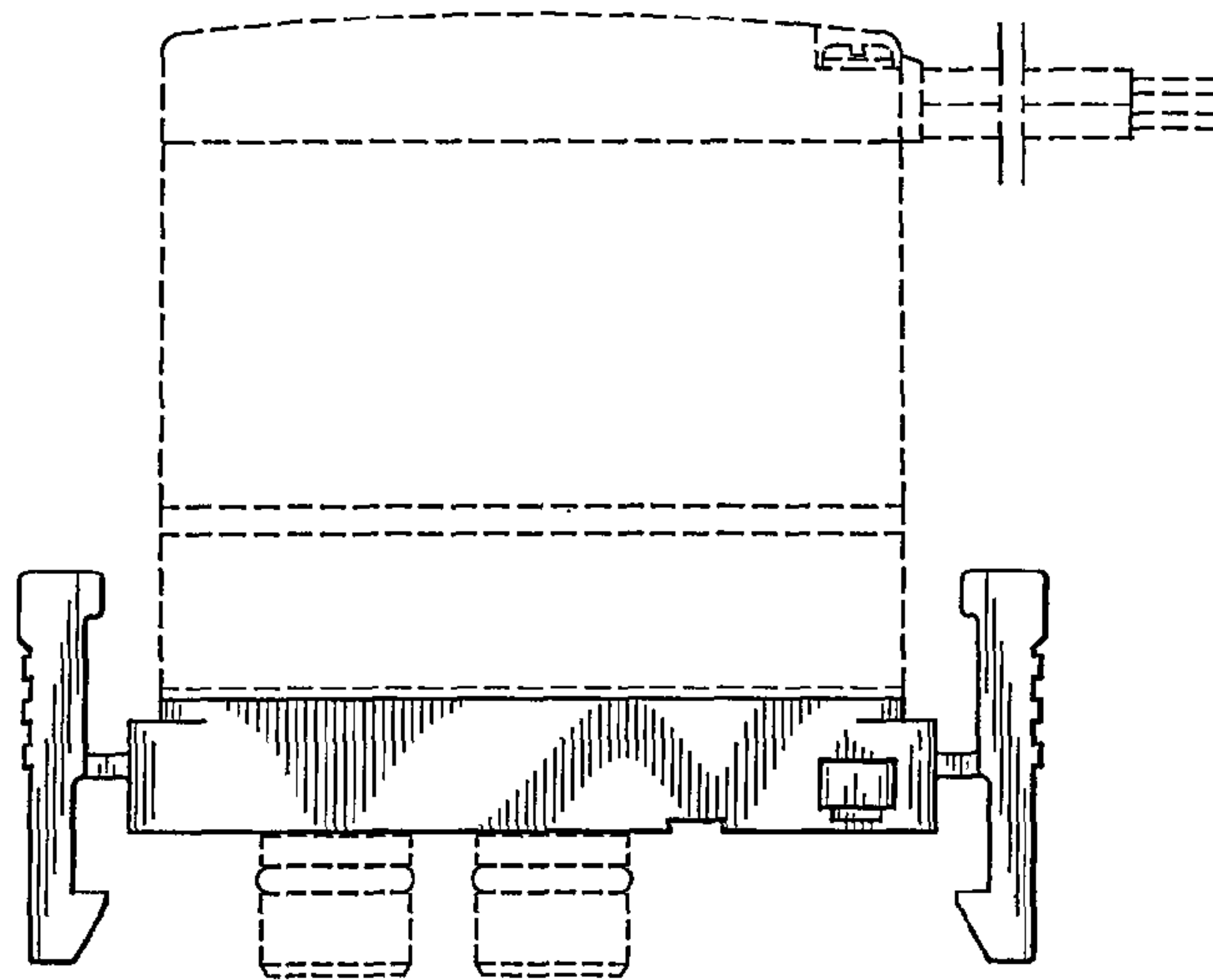


Fig. 3



Fig. 4

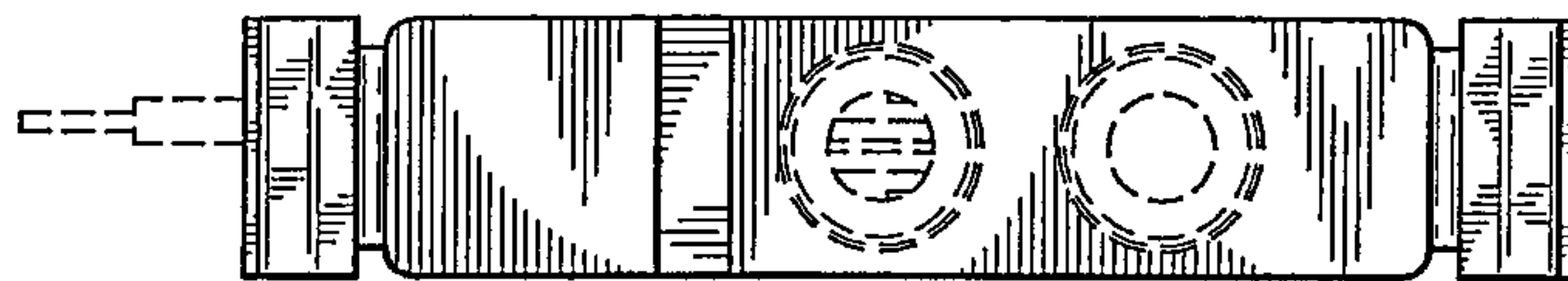


Fig. 5

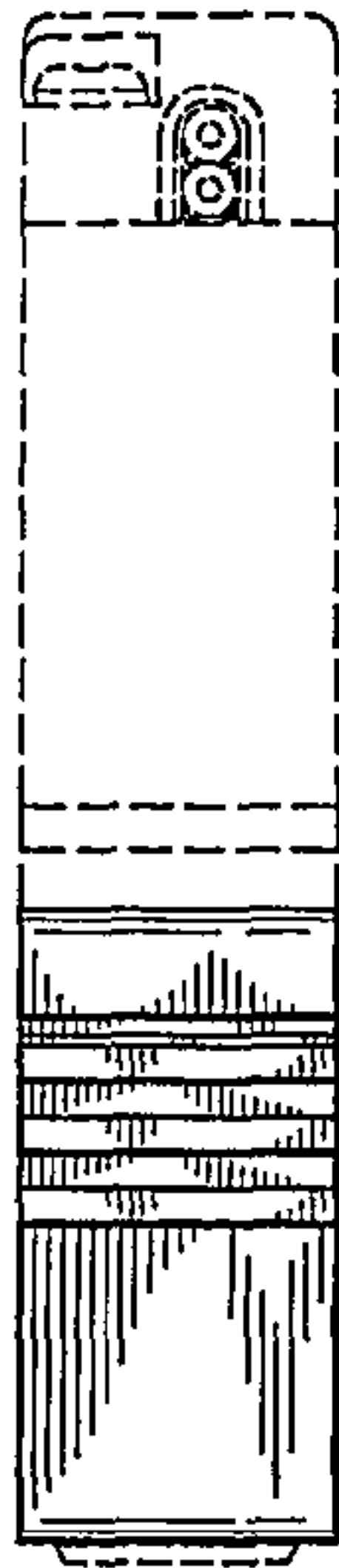


Fig. 6

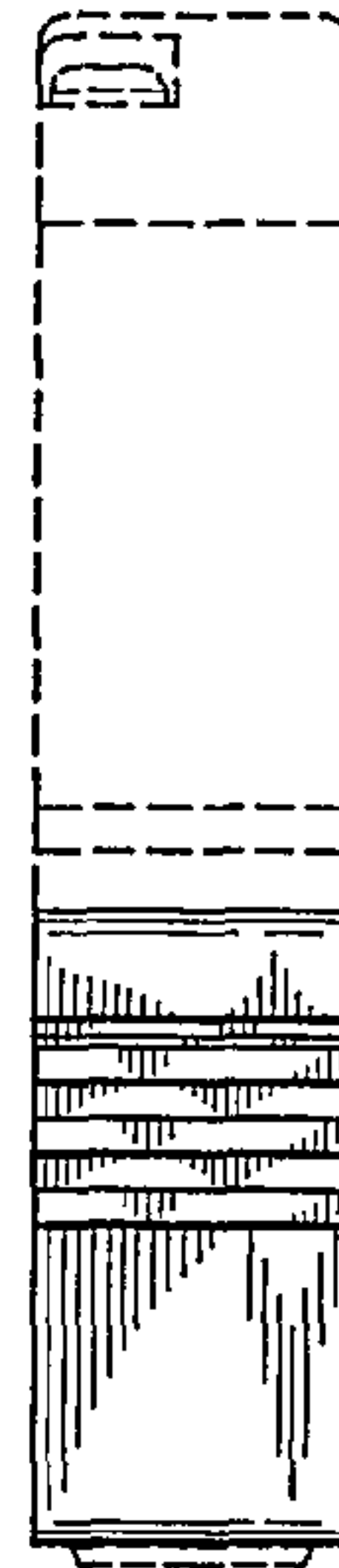


Fig. 7

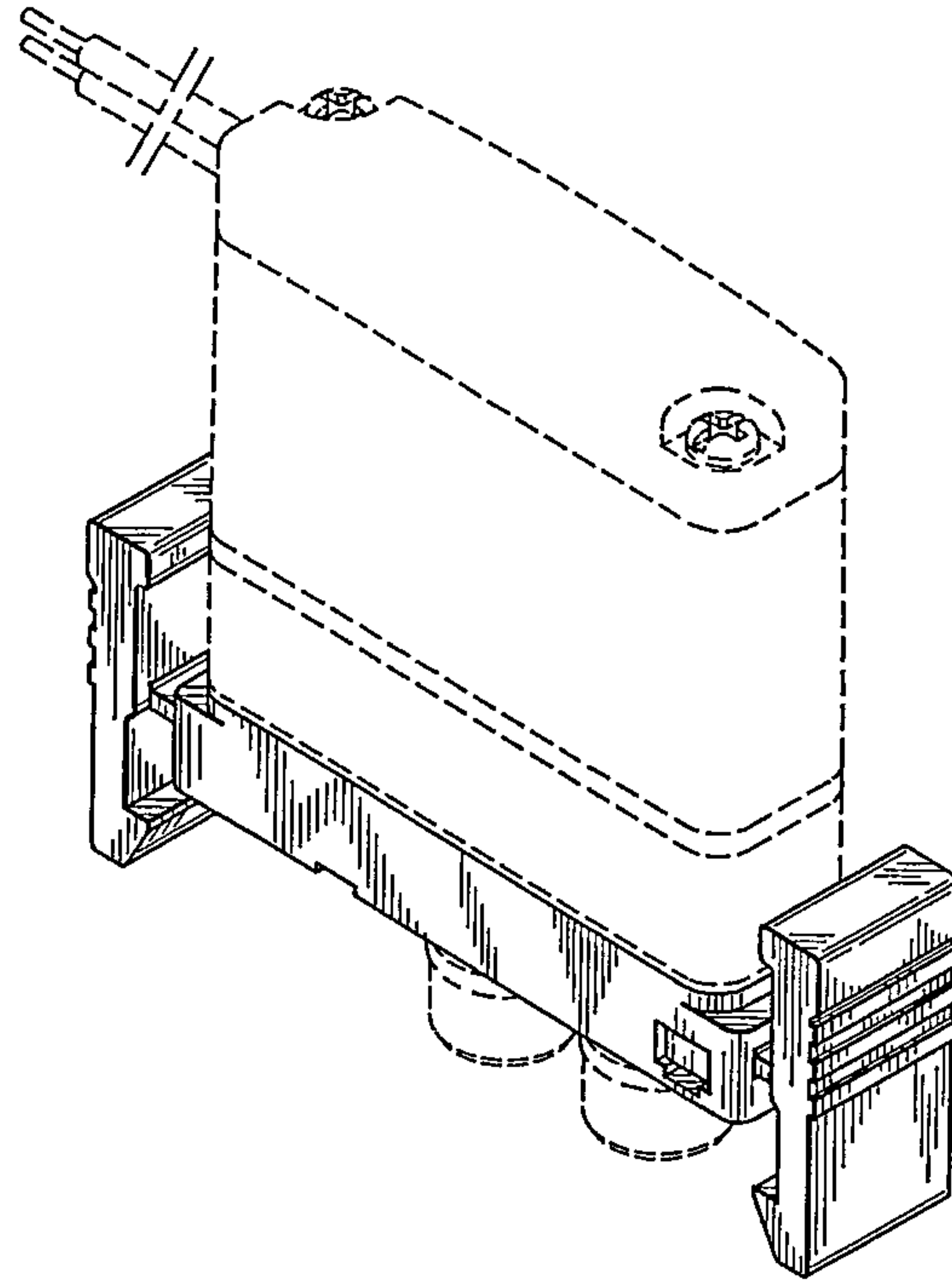


Fig. 8

