



US00D704302S

(12) **United States Design Patent**  
**Anderson**

(10) **Patent No.:** **US D704,302 S**

(45) **Date of Patent:** **\*\* May 6, 2014**

(54) **PIERCING VALVE STEM ASSEMBLY**

(76) Inventor: **Richard Anderson**, Iron Mountain, MI  
(US)

(\*\*) Term: **14 Years**

(21) Appl. No.: **29/397,743**

(22) Filed: **Jul. 20, 2011**

(51) **LOC (10) Cl.** ..... **23-01**

(52) **U.S. Cl.**  
USPC ..... **D23/233**

(58) **Field of Classification Search**  
USPC ..... D23/233–237, 229, 244–249; D24/129;  
251/309–310; 137/819, 527.2, 527.4,  
137/527.8, 549–550, 854, 318  
See application file for complete search history.

(56) **References Cited**

**U.S. PATENT DOCUMENTS**

RE24,199 E	8/1956	McDonald
2,881,011 A	4/1959	Coughlin
4,216,793 A	8/1980	Volgstadt
4,598,731 A	7/1986	Colson
5,327,923 A	7/1994	Eischen

5,694,971 A	12/1997	Wilcock	
6,357,472 B1 *	3/2002	King	137/318
D460,522 S *	7/2002	Flinchbaugh	D23/233
6,739,352 B1 *	5/2004	Munro	137/318
6,932,322 B2 *	8/2005	Yanaka	251/332
D545,395 S *	6/2007	Morgan et al.	D23/207
D638,914 S *	5/2011	Schmuckle	D23/233
2009/0145488 A1 *	6/2009	Hoskisson et al.	137/318
2009/0283710 A1 *	11/2009	Bertini et al.	251/324

\* cited by examiner

*Primary Examiner* — Cynthia Ramirez

(74) *Attorney, Agent, or Firm* — Absolute Technology Law Group, LLC

(57) **CLAIM**

The ornamental design for a piercing valve stem assembly, as shown and described.

**DESCRIPTION**

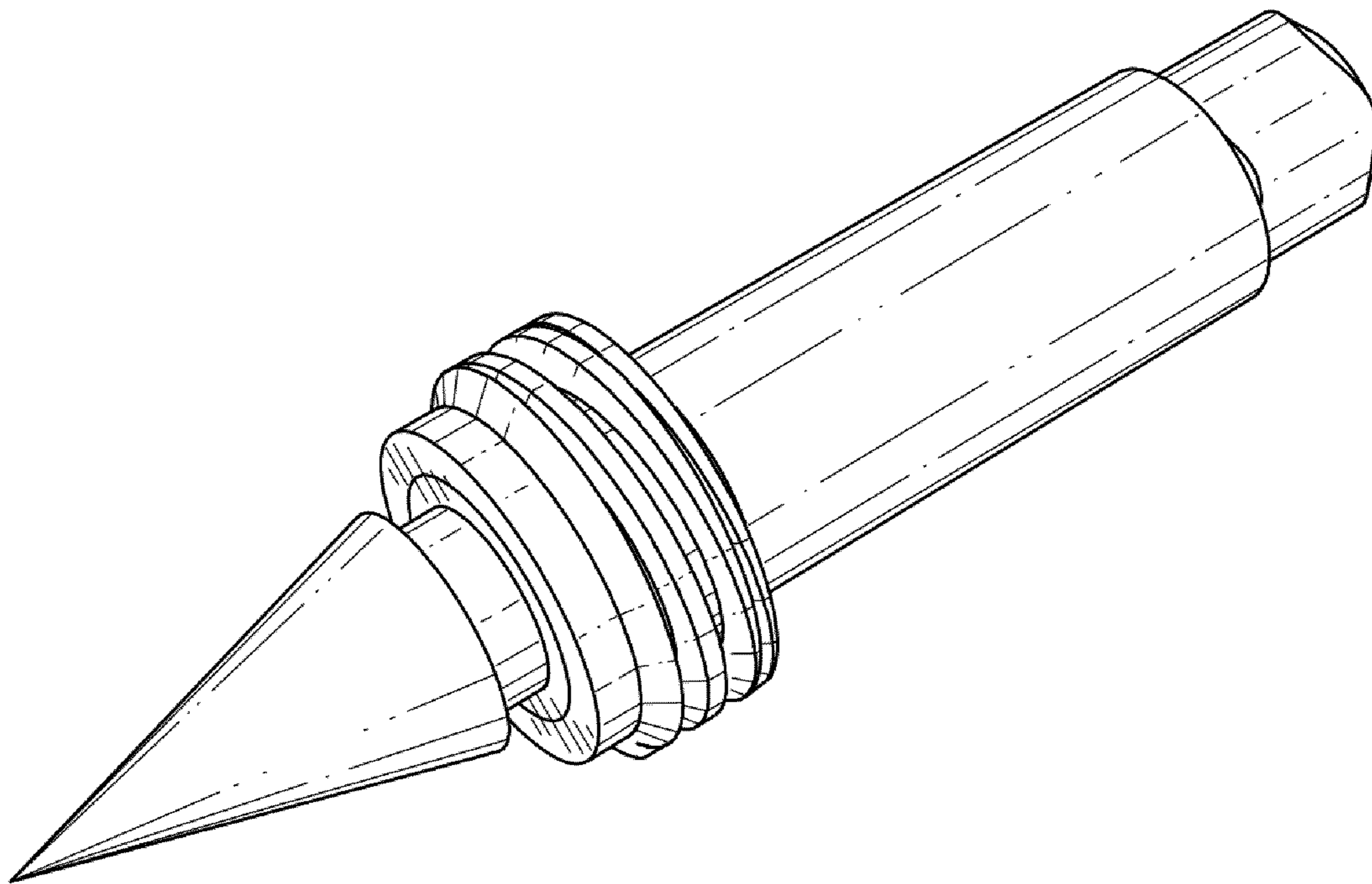
FIG. 1 is a perspective view of a piercing valve stem assembly showing my new design;

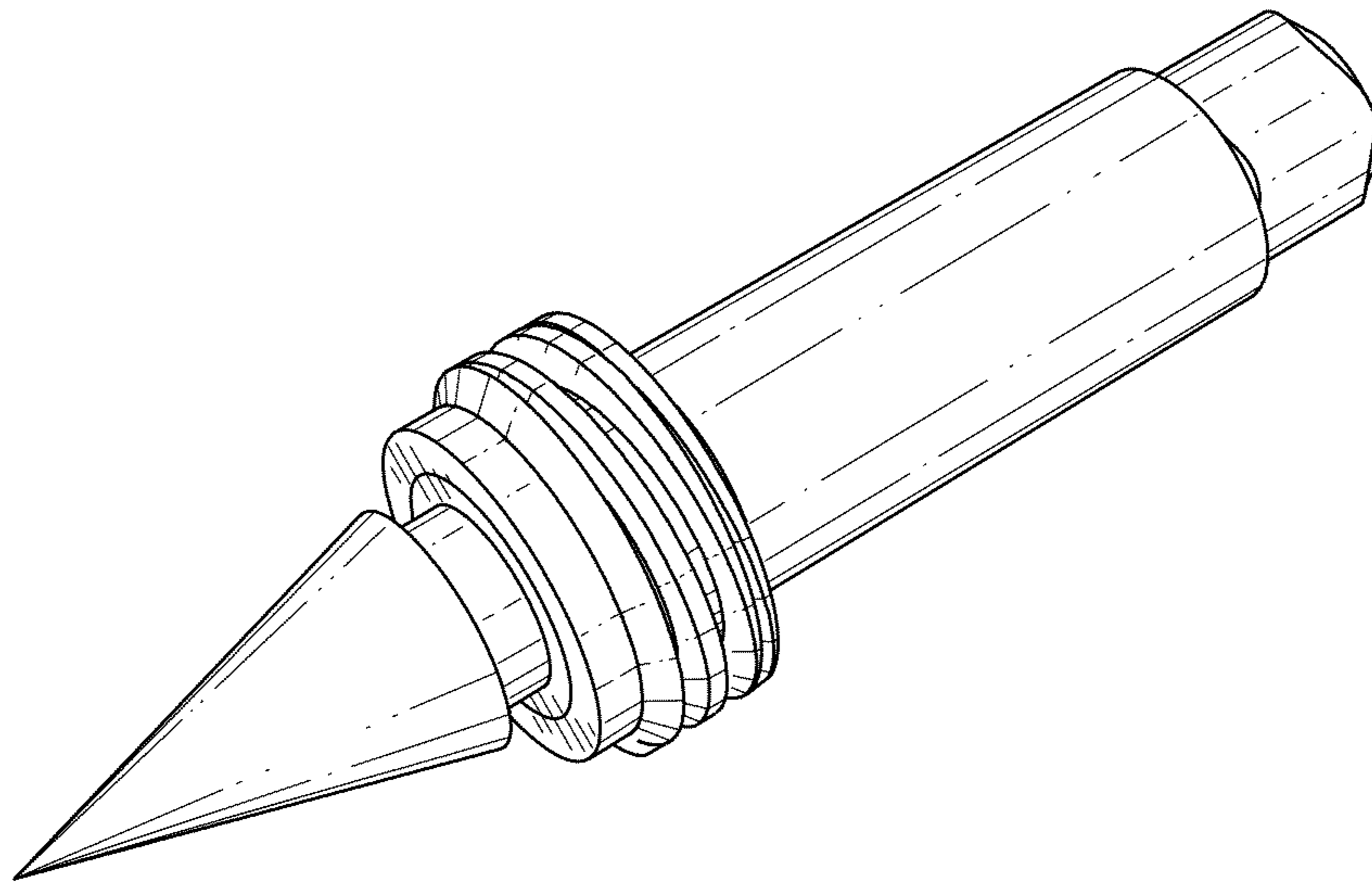
FIG. 2 is a front plan view thereof, the rear, top and bottom being mirror images;

FIG. 3 is a left plan view thereof; and,

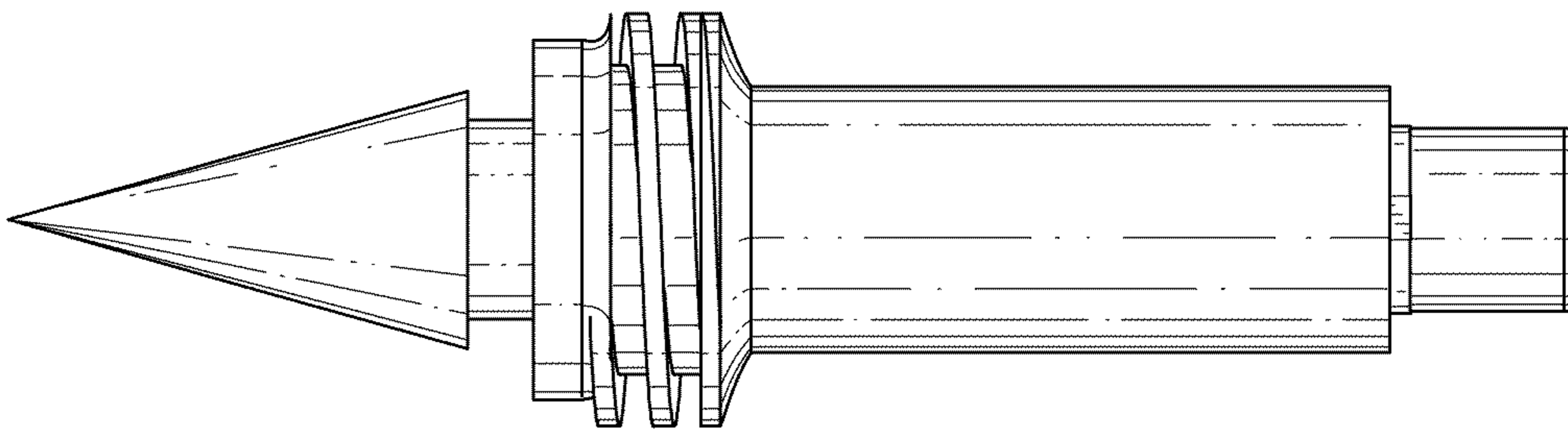
FIG. 4 is a right plan view thereof.

**1 Claim, 3 Drawing Sheets**

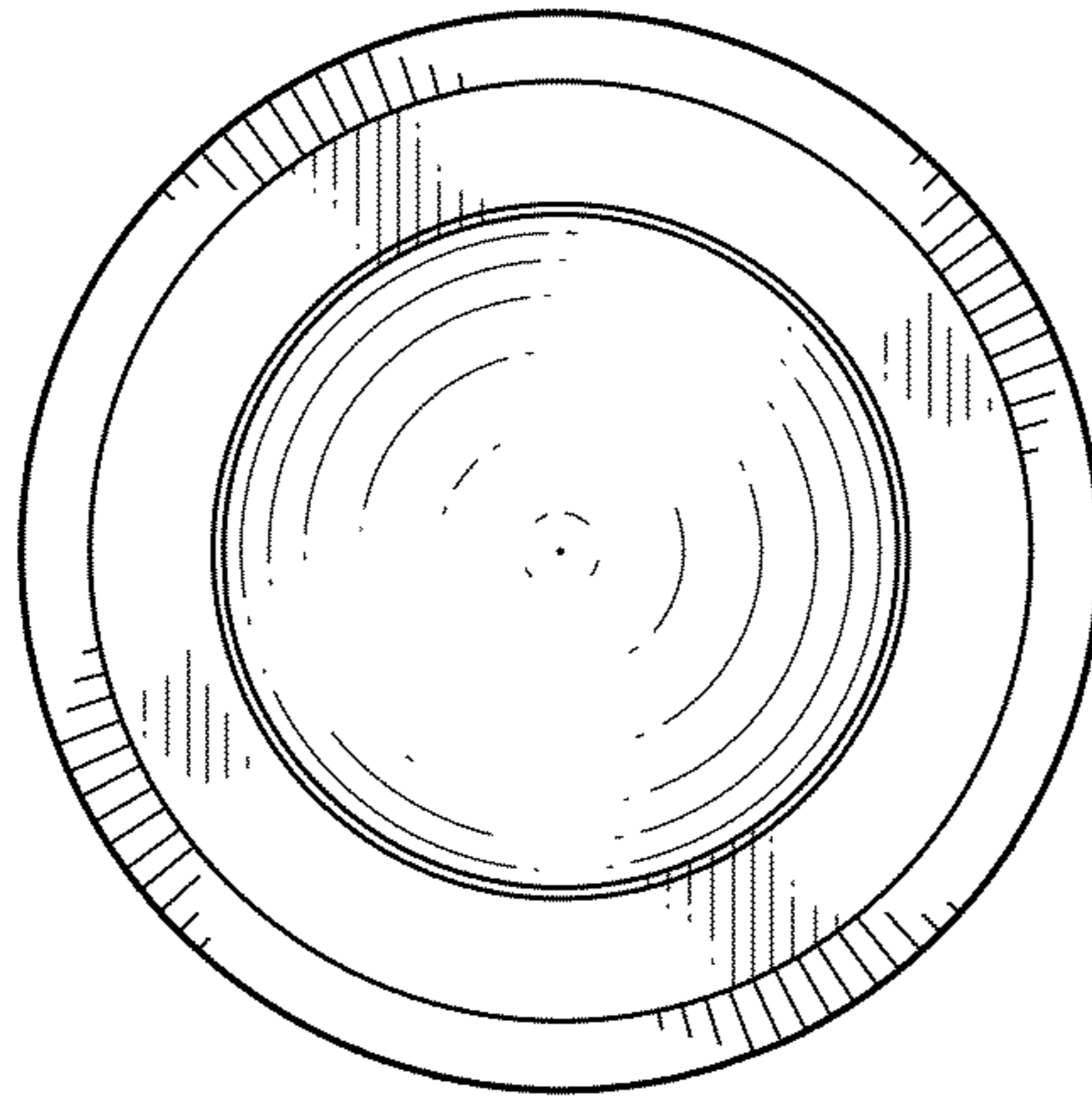




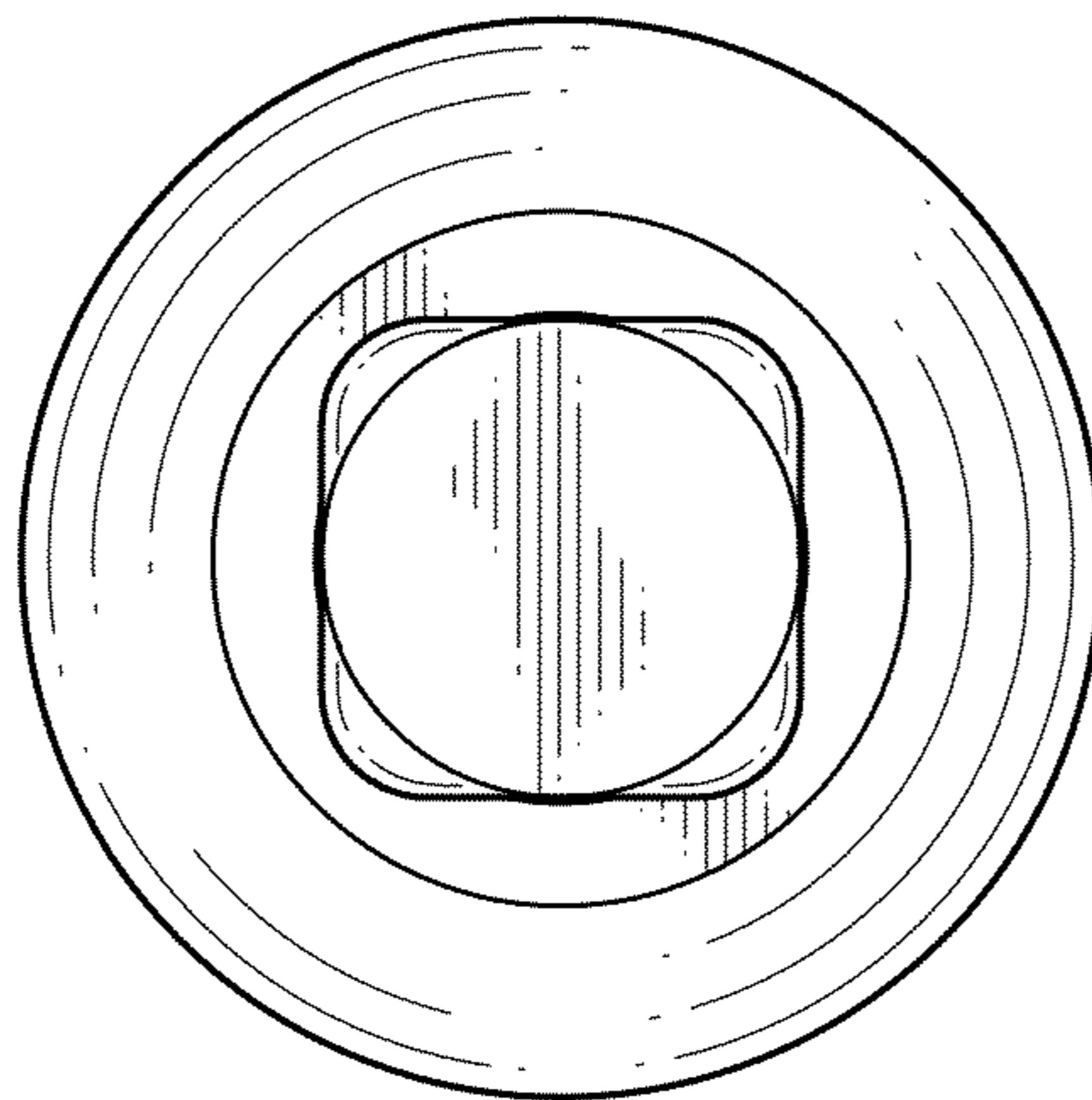
**FIG. 1**



**FIG. 2**



**FIG. 3**



**FIG. 4**