



US00D704301S

(12) **United States Design Patent**  
**Standefer et al.**

(10) **Patent No.:** **US D704,301 S**

(45) **Date of Patent:** **\*\* May 6, 2014**

(54) **SHOWER SYSTEM**

(75) Inventors: **Robin Standefer**, New York, NY (US);  
**Stephen Alesch**, New York, NY (US)

(73) Assignee: **Water Works IP Co. LLC**, Danbury, CT  
(US)

(\*\*) Term: **14 Years**

(21) Appl. No.: **29/428,548**

(22) Filed: **Jul. 31, 2012**

(51) **LOC (10) Cl.** ..... **23-01**

(52) **U.S. Cl.**  
USPC ..... **D23/228; D23/304**

(58) **Field of Classification Search**  
USPC ..... D23/213, 229, 230, 228, 304; D6/525;  
239/289; 4/597, 605, 612  
See application file for complete search history.

(56) **References Cited**

**U.S. PATENT DOCUMENTS**

D349,151 S \* 7/1994 Fernandez ..... D23/213  
7,219,376 B1 \* 5/2007 Zhou ..... 4/567

\* cited by examiner

*Primary Examiner* — Robin V Webster

(74) *Attorney, Agent, or Firm* — McDermott Will & Emery  
LLP

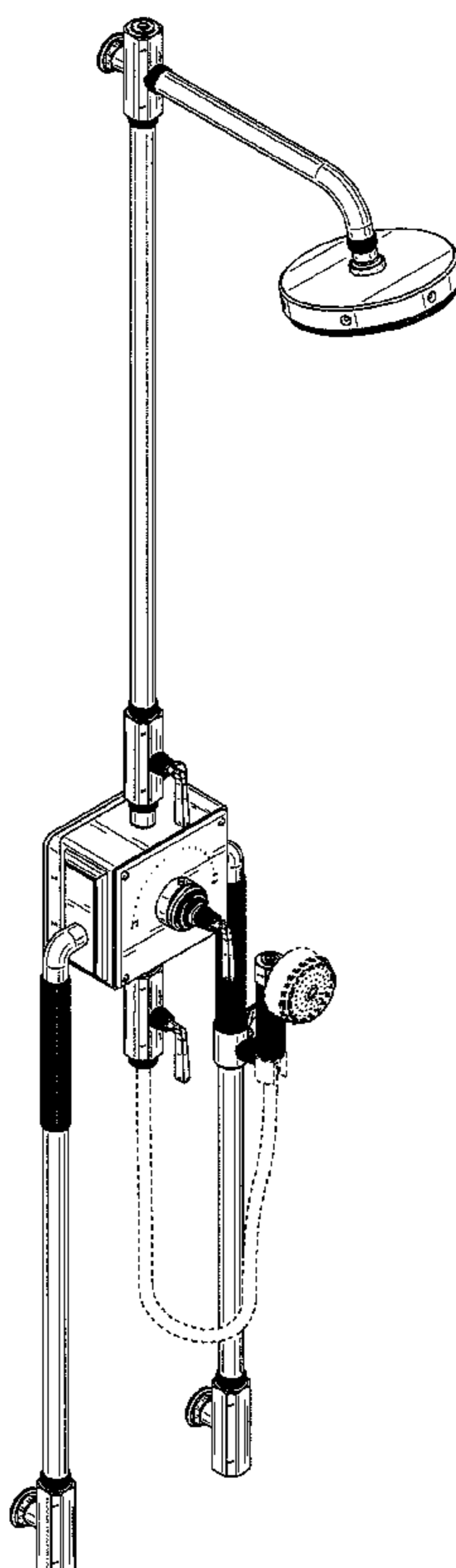
(57) **CLAIM**

The ornamental design for a shower system, as shown and described.

**DESCRIPTION**

FIG. 1 is a front perspective view of a shower system, showing the new design;  
FIG. 2 is a front view of the shower system;  
FIG. 3 is a rear view of the shower system;  
FIG. 4 is a side view of the shower system;  
FIG. 5 is another side view of the shower system;  
FIG. 6 is a top view of the shower system;  
FIG. 7 is a bottom view of the shower system;  
FIG. 8 is a detailed view of portions of the shower system;  
FIG. 9 is a detailed view of portions of the shower system;  
FIG. 10 is a detailed view of a portion of the shower system;  
FIG. 11 is a detailed portion of the shower system shown in FIG. 9;  
FIG. 12 is a detailed portion of the shower system shown in FIG. 10; and,  
FIG. 13 is a detailed portion of the shower system shown in FIG. 8.  
The broken lines showing various elements of the shower system are included for the purpose of illustrating non-claimed subject matter and form no part of the claimed design.

**1 Claim, 10 Drawing Sheets**



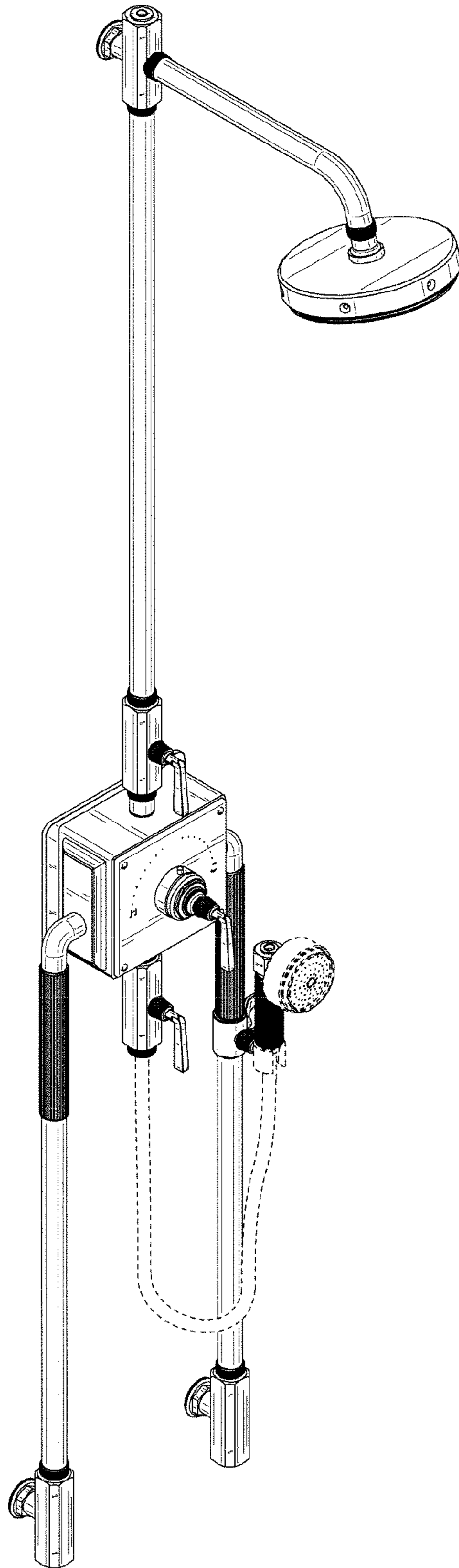


FIG. 1

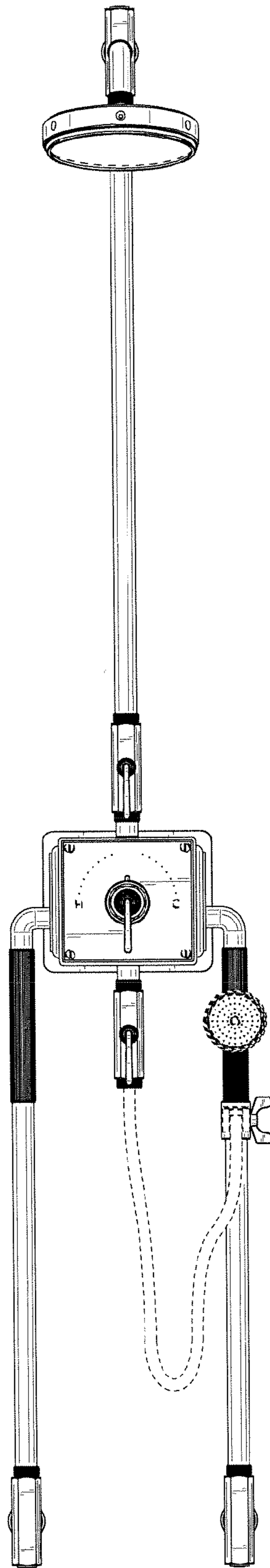


FIG. 2

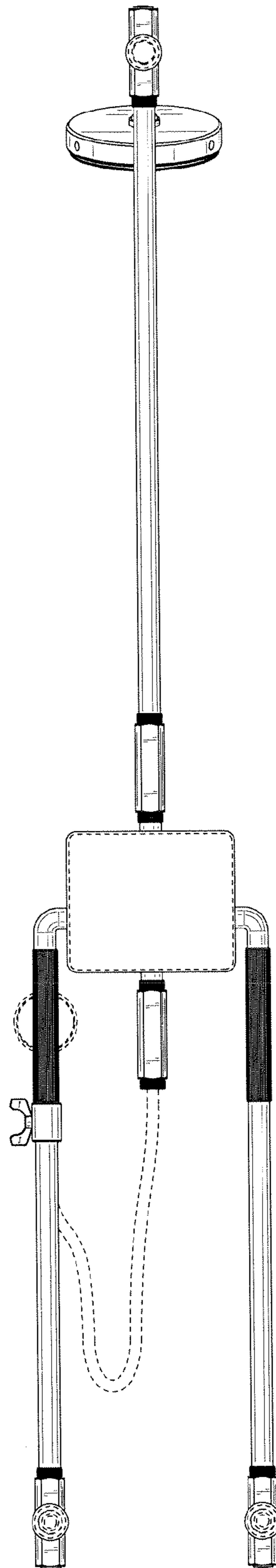


FIG. 3

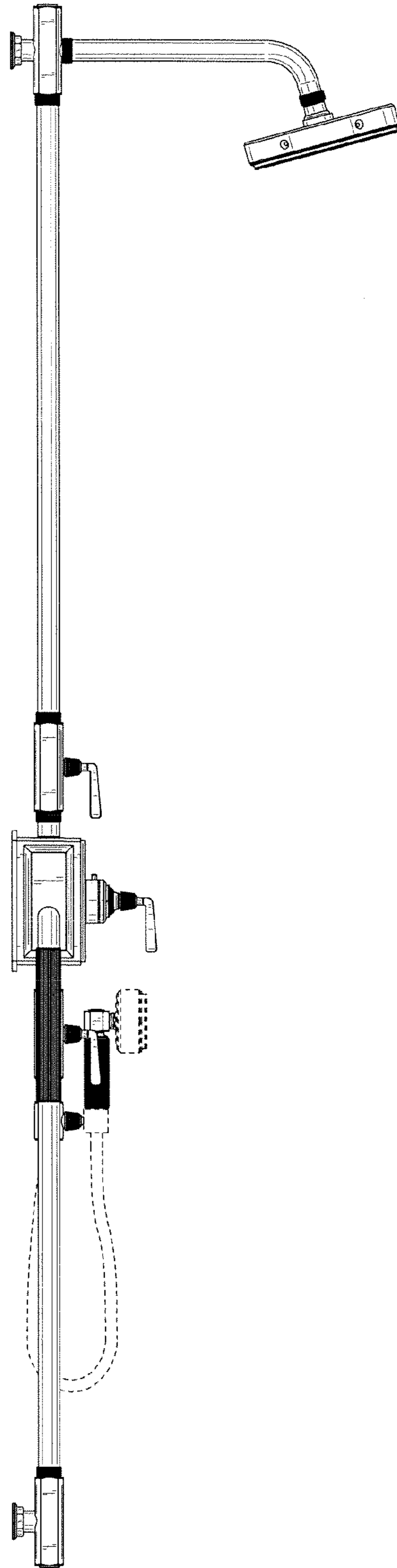


FIG. 4

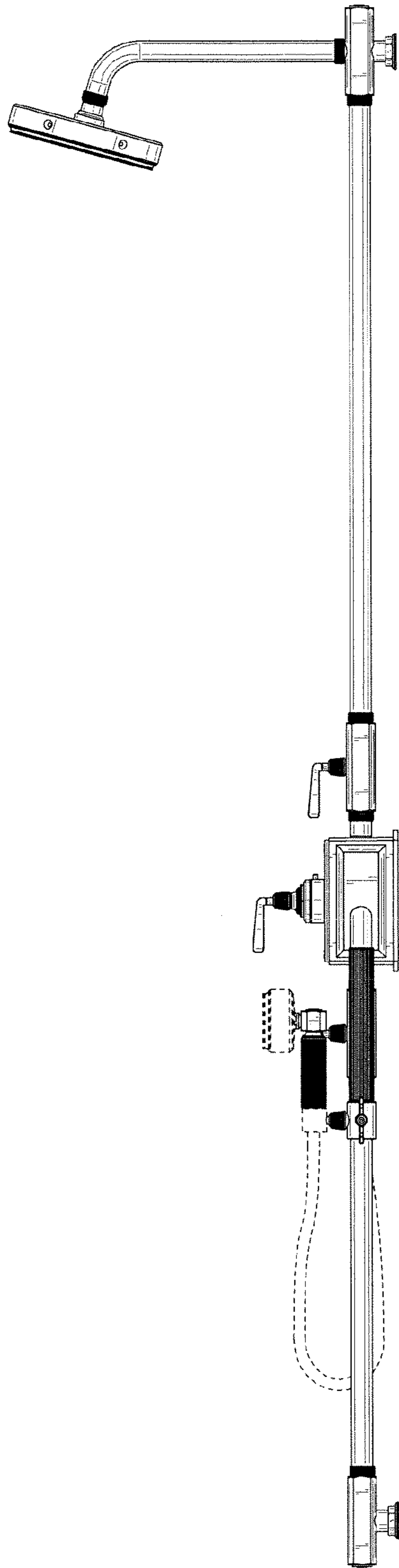


FIG. 5

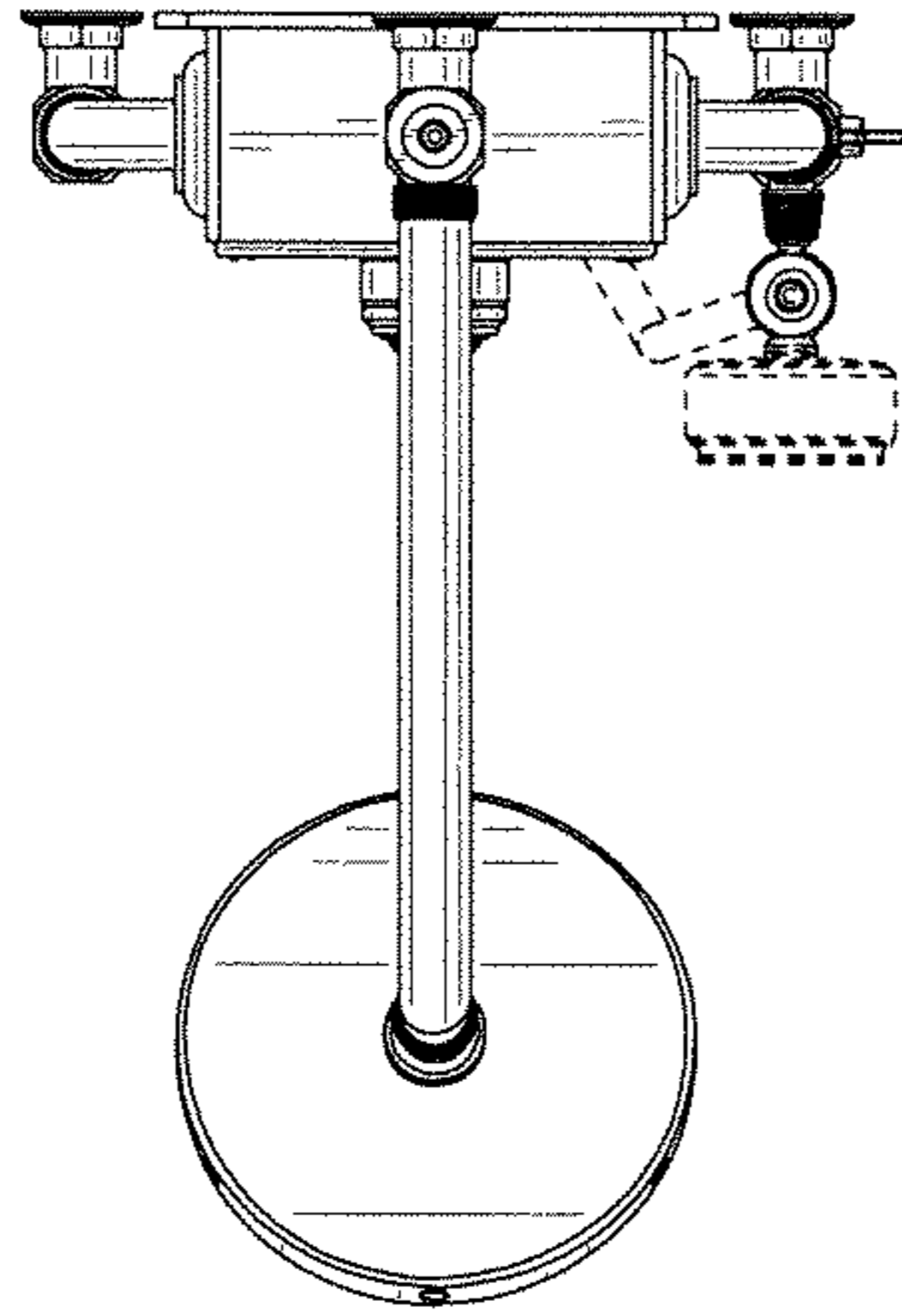


FIG. 6

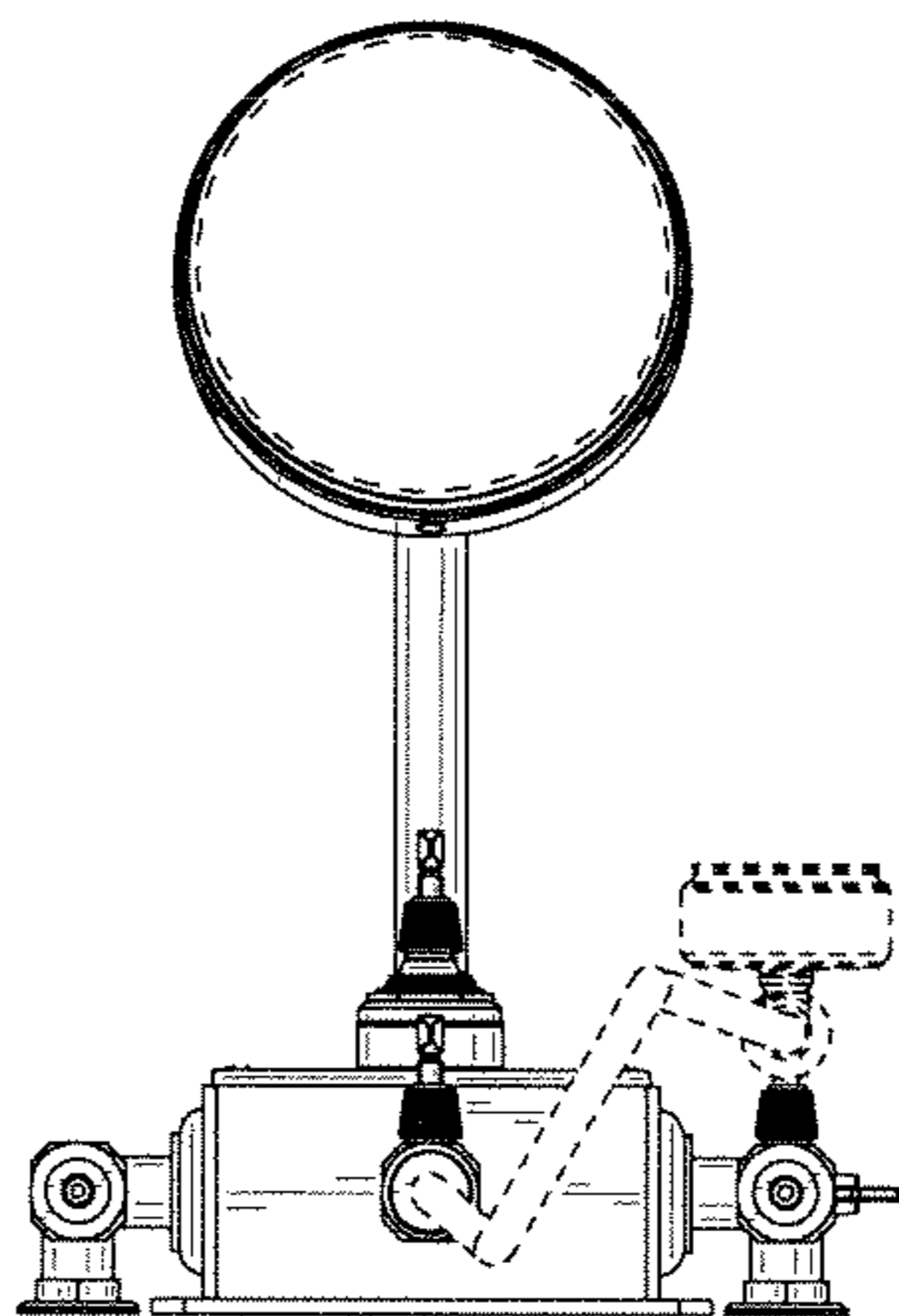


FIG. 7

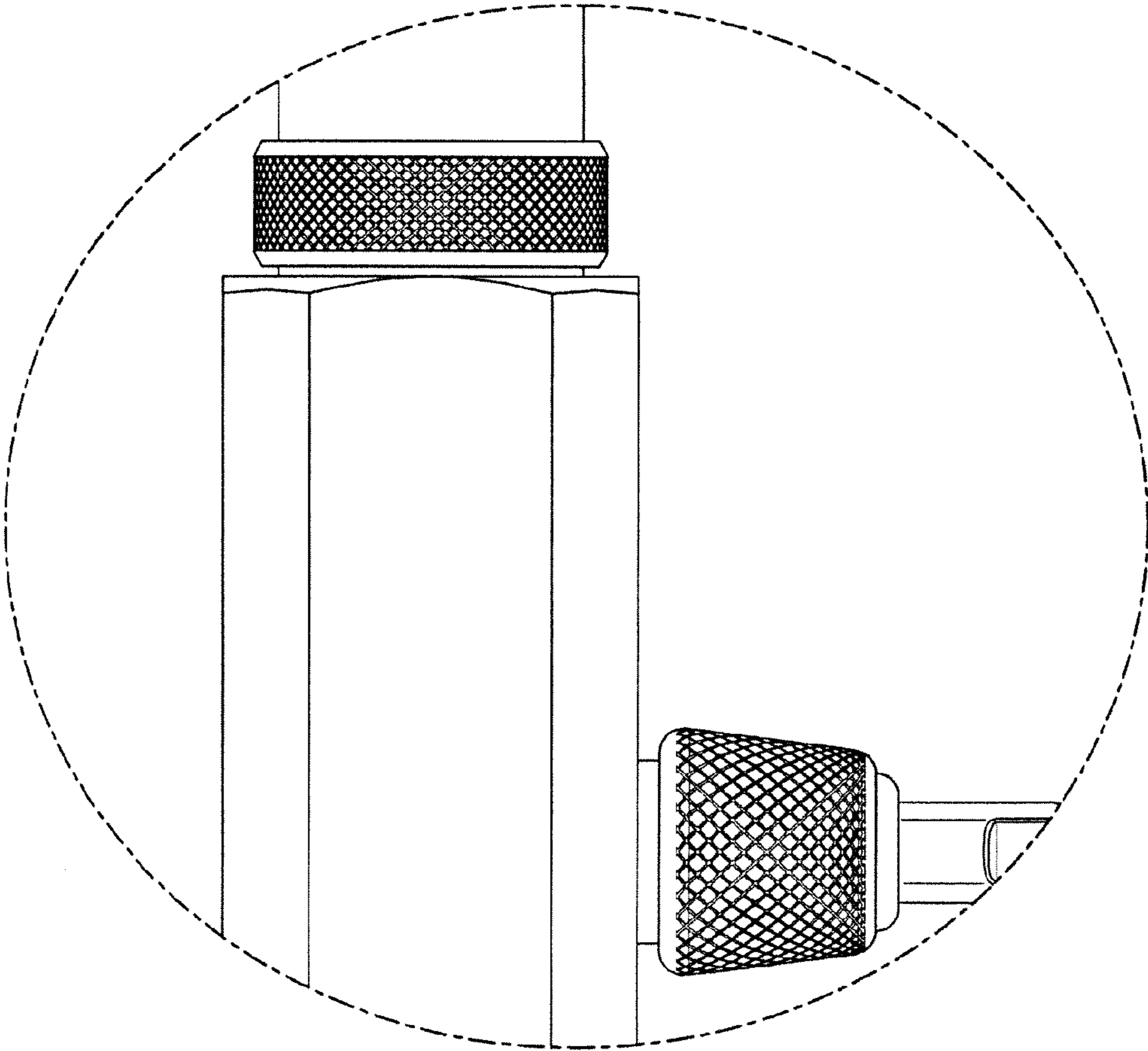


FIG. 8



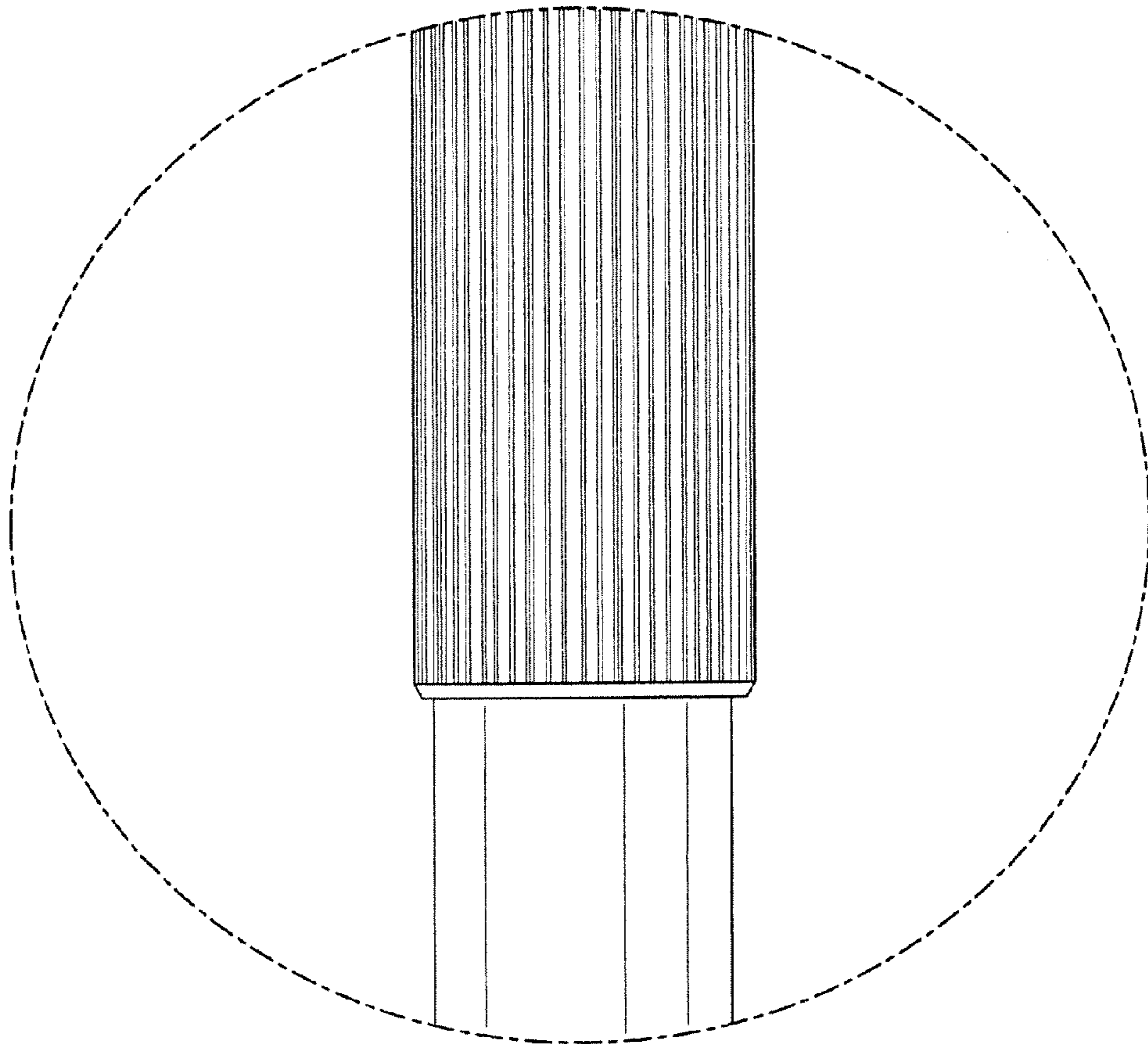


FIG. 9

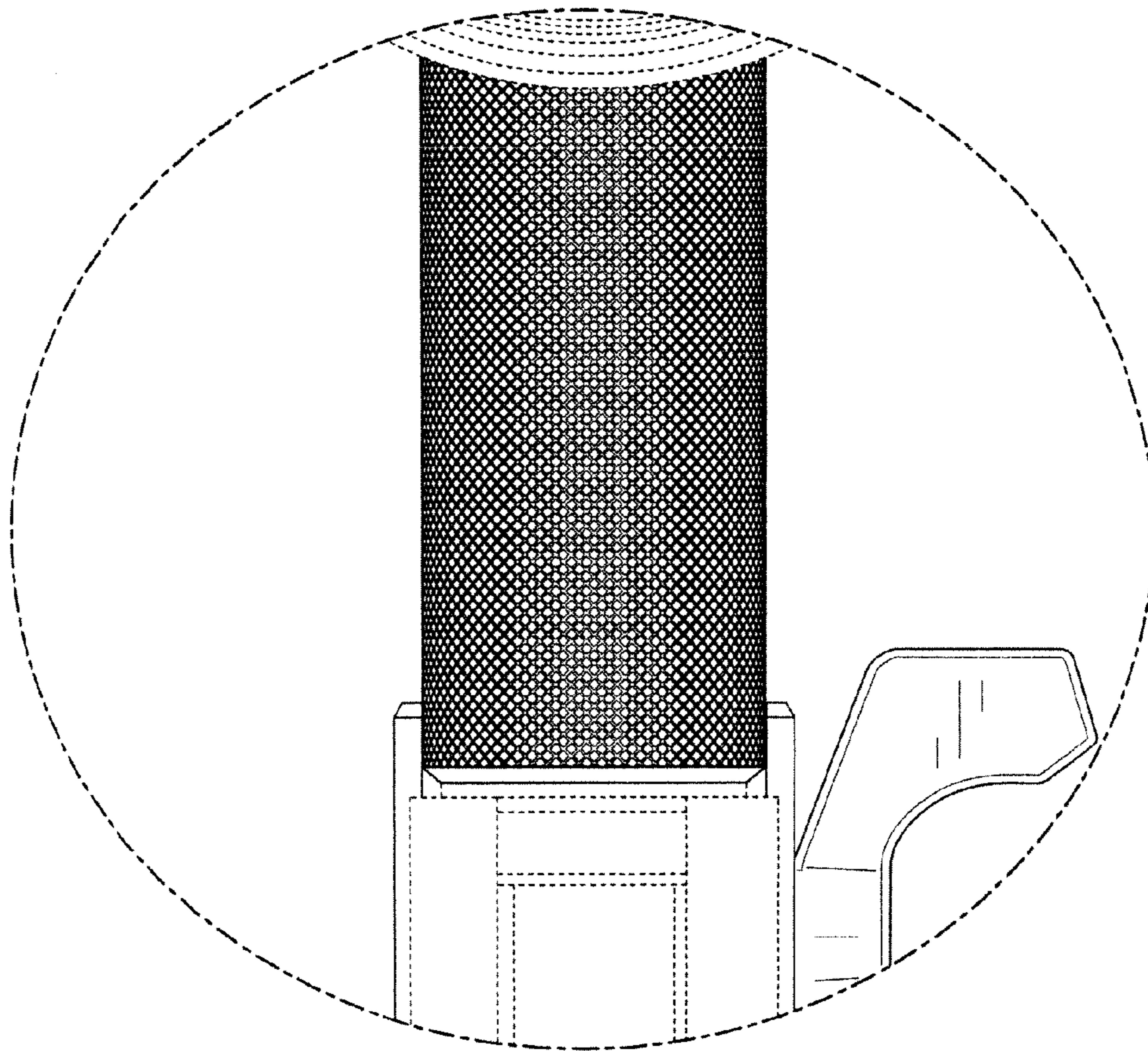


FIG. 10

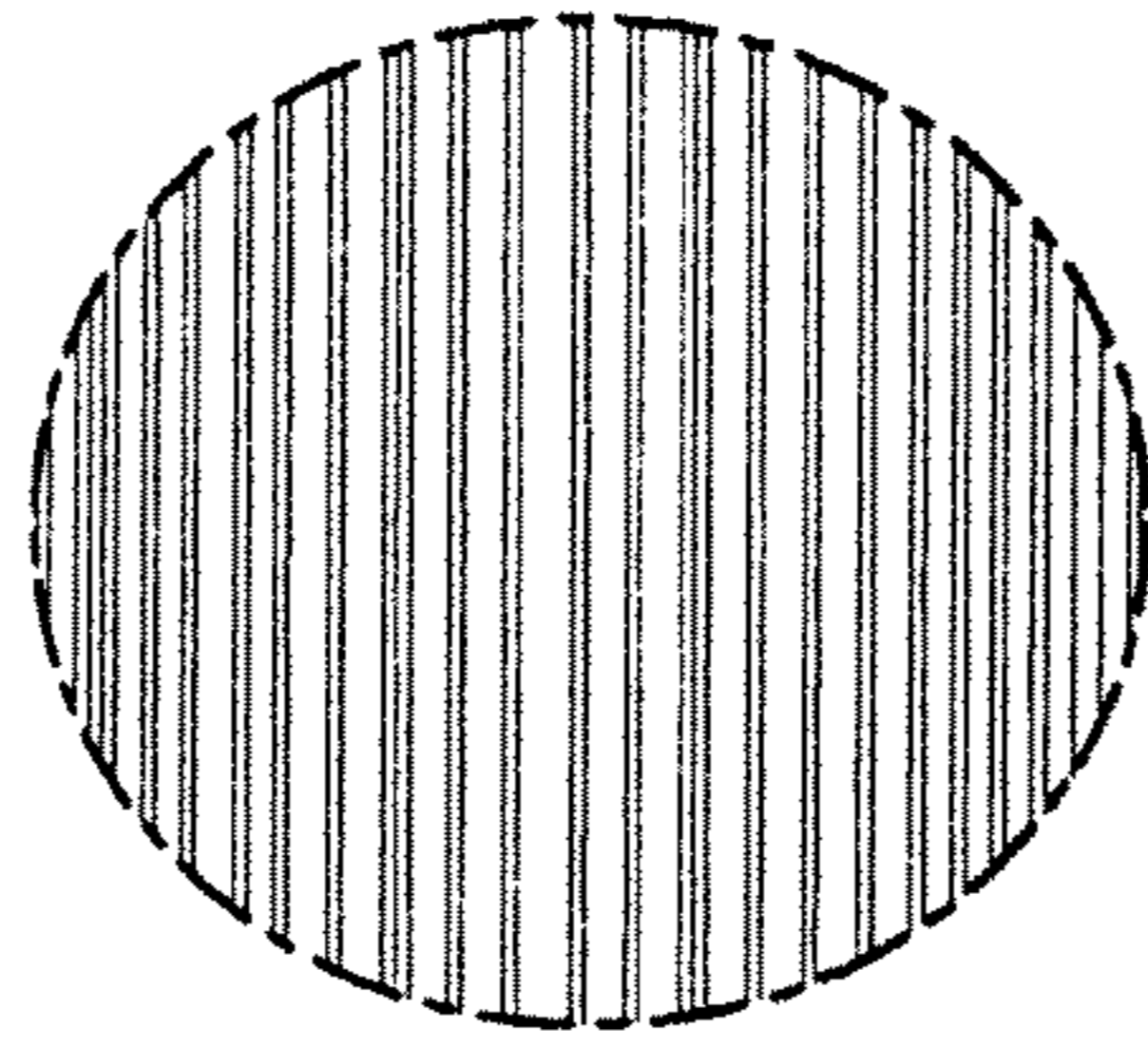


FIG. 11

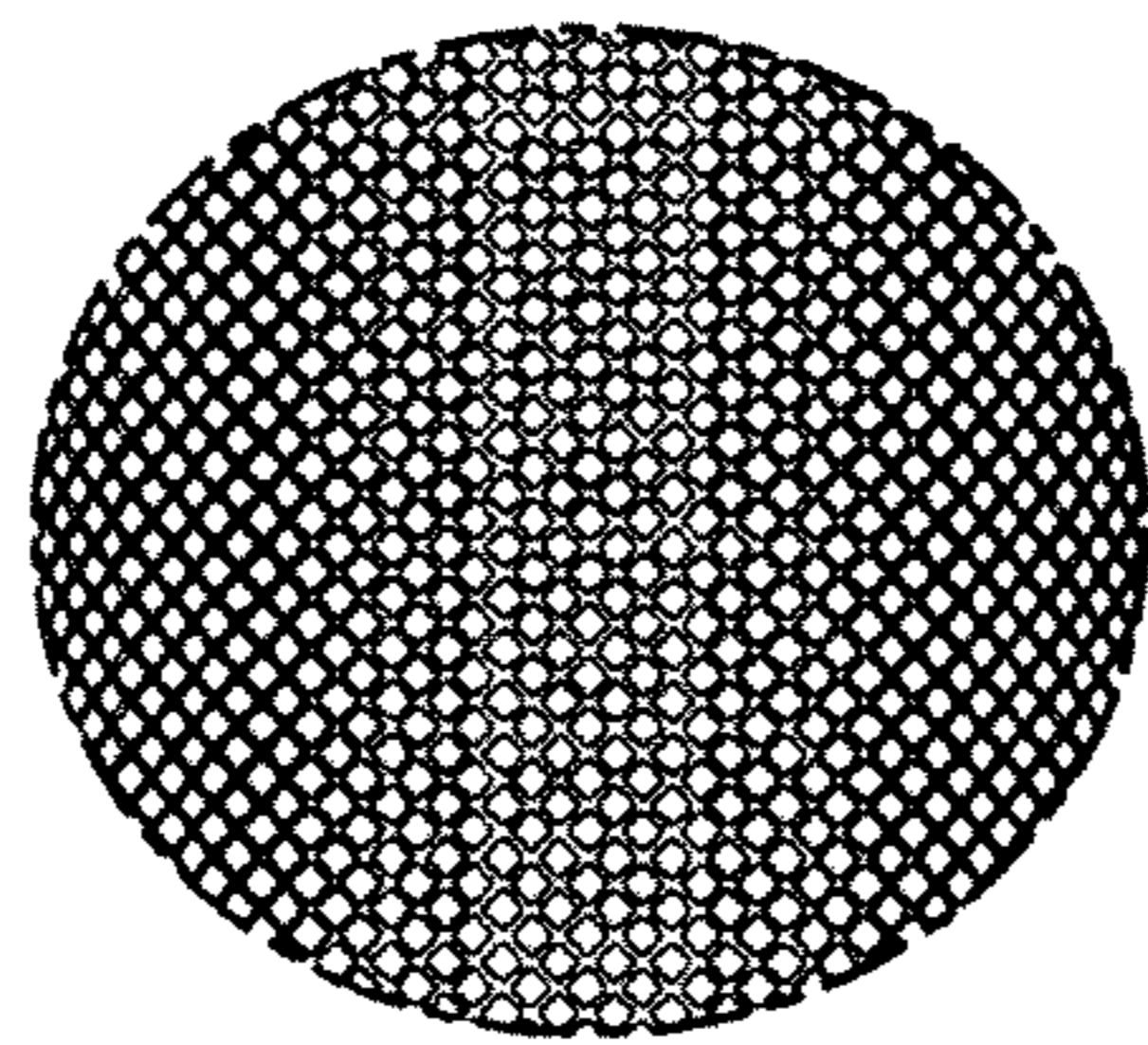


FIG. 12

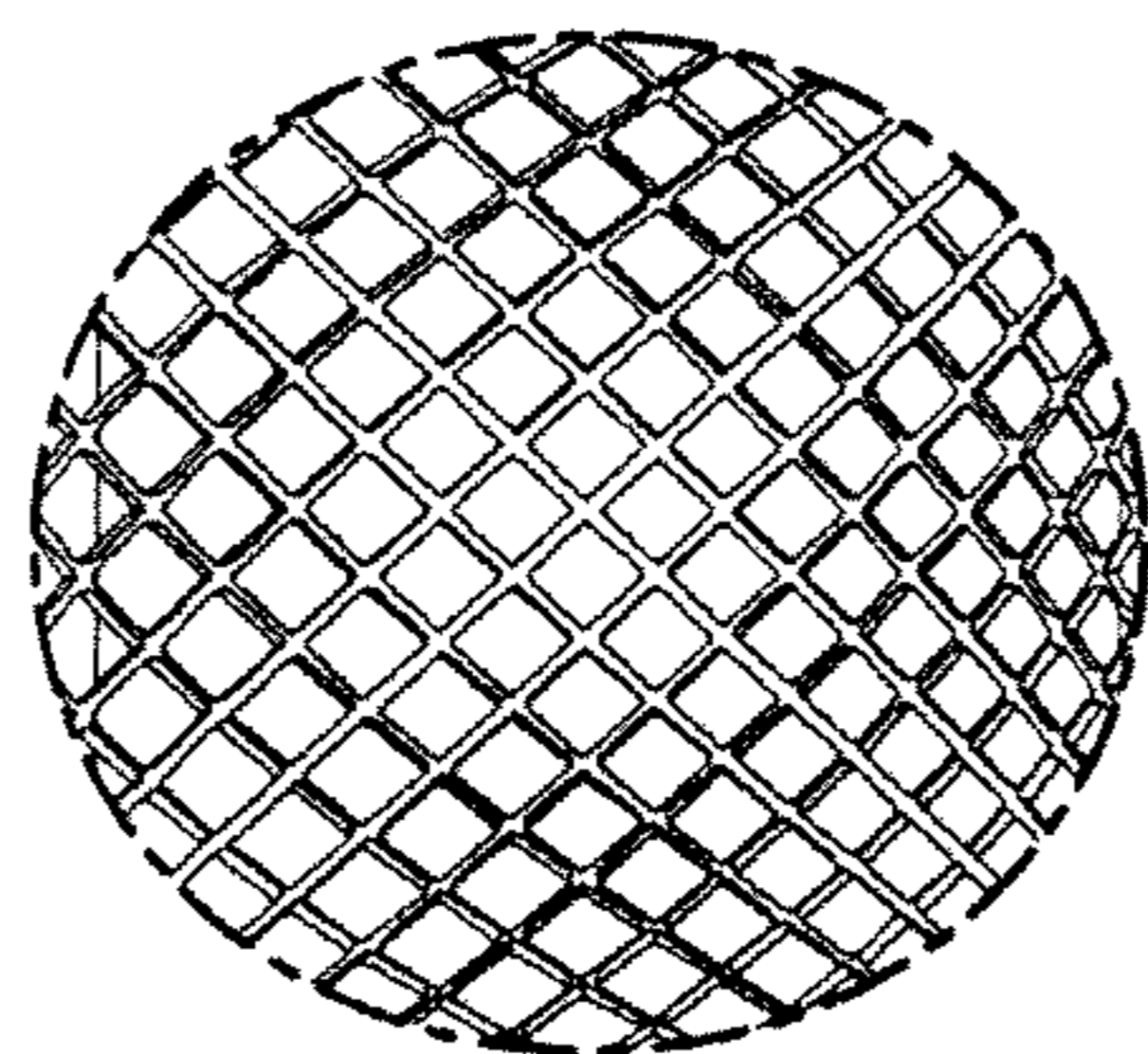


FIG. 13