



US00D704300S

(12) **United States Design Patent**
Li et al.

(10) **Patent No.:** **US D704,300 S**

(45) **Date of Patent:** **** May 6, 2014**

(54) **SPRAY GUN**

(56) **References Cited**

(71) Applicants: **Xiao-Rong Li**, Taizhou (CN);
Zheng-Ting Shu, Taizhou (CN)

U.S. PATENT DOCUMENTS

D220,179 S * 3/1971 Farusteiner D23/225
5,533,674 A * 7/1996 Feyrer et al. 239/288.5
7,232,077 B2 * 6/2007 Turnbull 239/1

(72) Inventors: **Xiao-Rong Li**, Taizhou (CN);
Zheng-Ting Shu, Taizhou (CN)

* cited by examiner

(**) Term: **14 Years**

Primary Examiner — Robin V Webster

(21) Appl. No.: **29/439,040**

(57) **CLAIM**

The ornamental design for a spray gun, as shown and described.

(22) Filed: **Dec. 5, 2012**

DESCRIPTION

(51) **LOC (10) Cl.** **23-01**

FIG. 1 is an external view of a spray gun showing our new design;

(52) **U.S. Cl.**

FIG. 2 is a front elevational view thereof;

USPC **D23/225**; D23/226

FIG. 3 is a rear elevational view thereof;

(58) **Field of Classification Search**

USPC D23/213, 223, 225, 226; 239/690, 691,
239/690.1, 291, 332, DIG. 14, 346, 379,
239/302

FIG. 4 is a left side elevational view thereof;

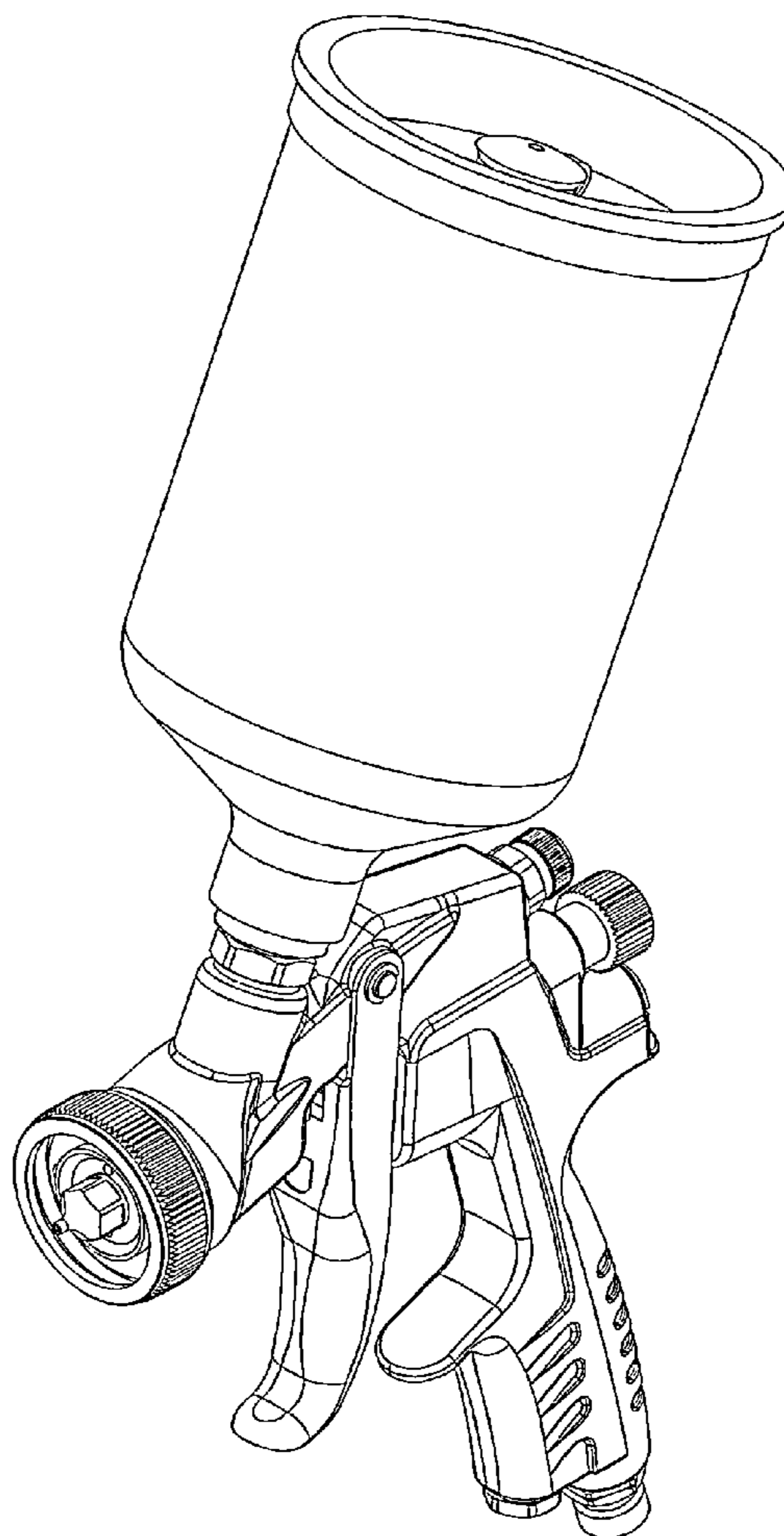
FIG. 5 is a right side elevational view thereof;

FIG. 6 is a top plan view thereof; and,

FIG. 7 is a bottom plan view thereof.

See application file for complete search history.

1 Claim, 6 Drawing Sheets



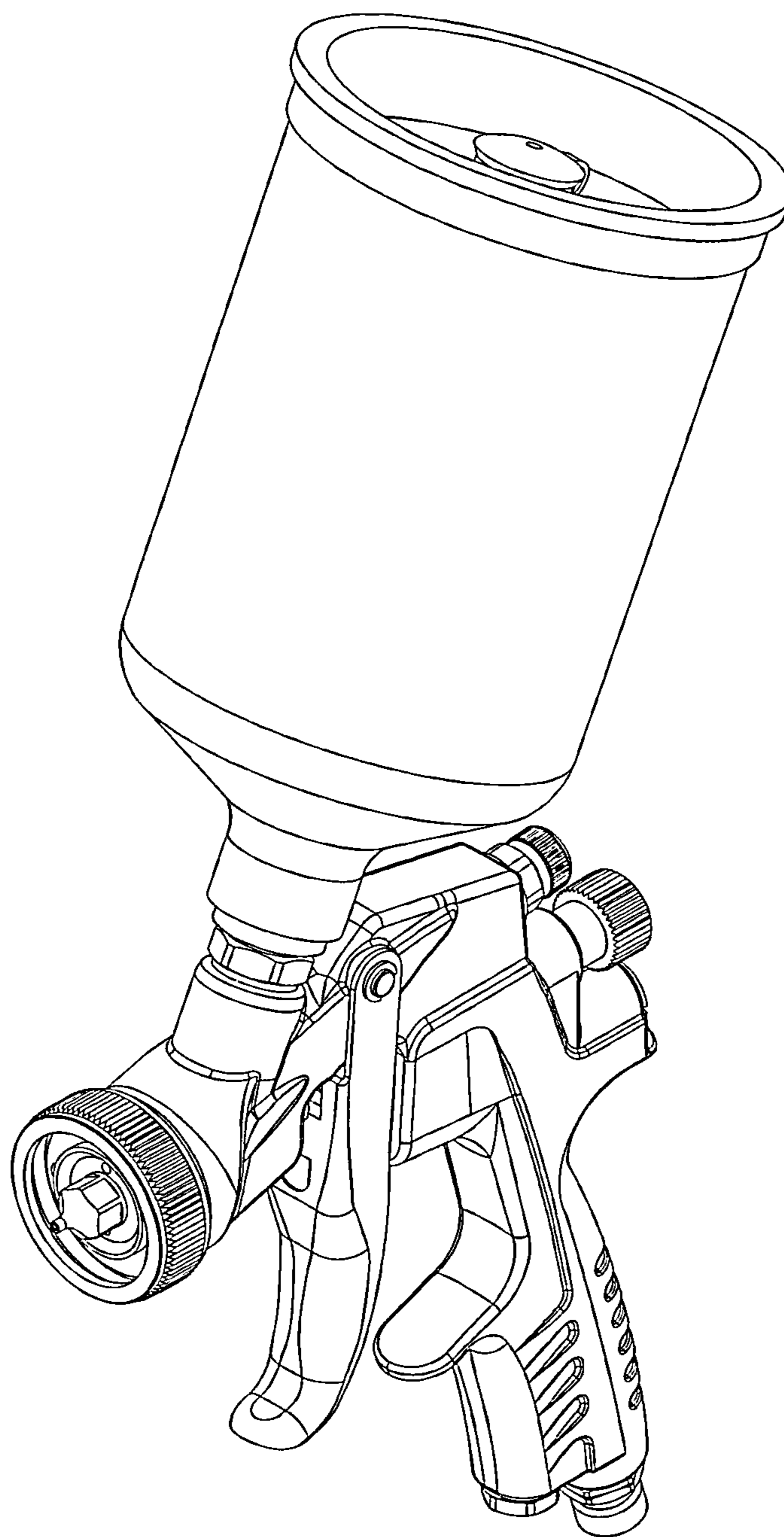


Fig.1

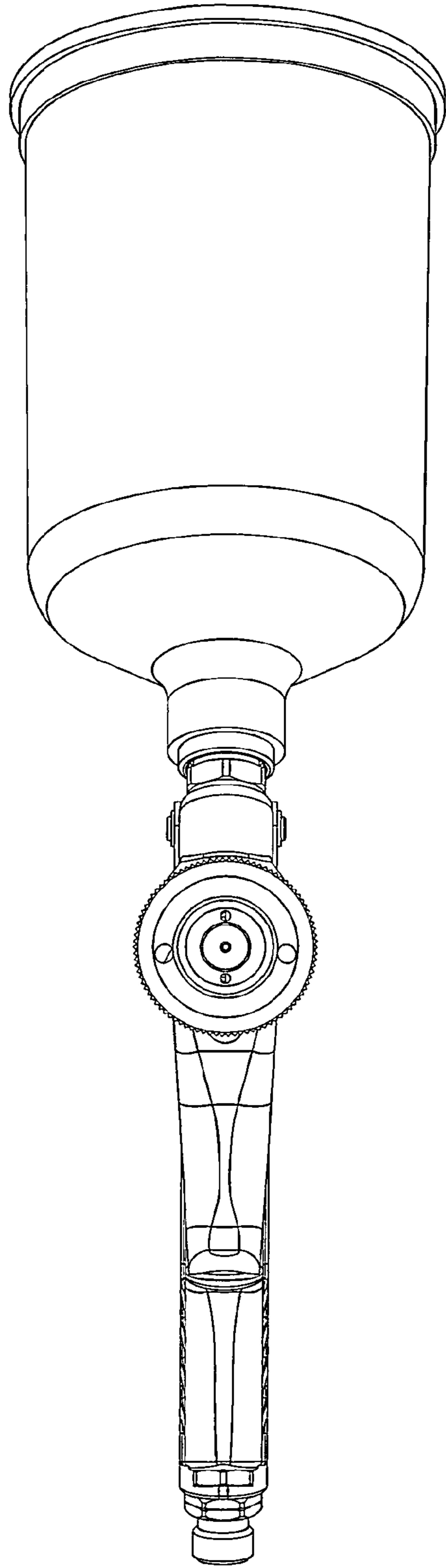


Fig.2

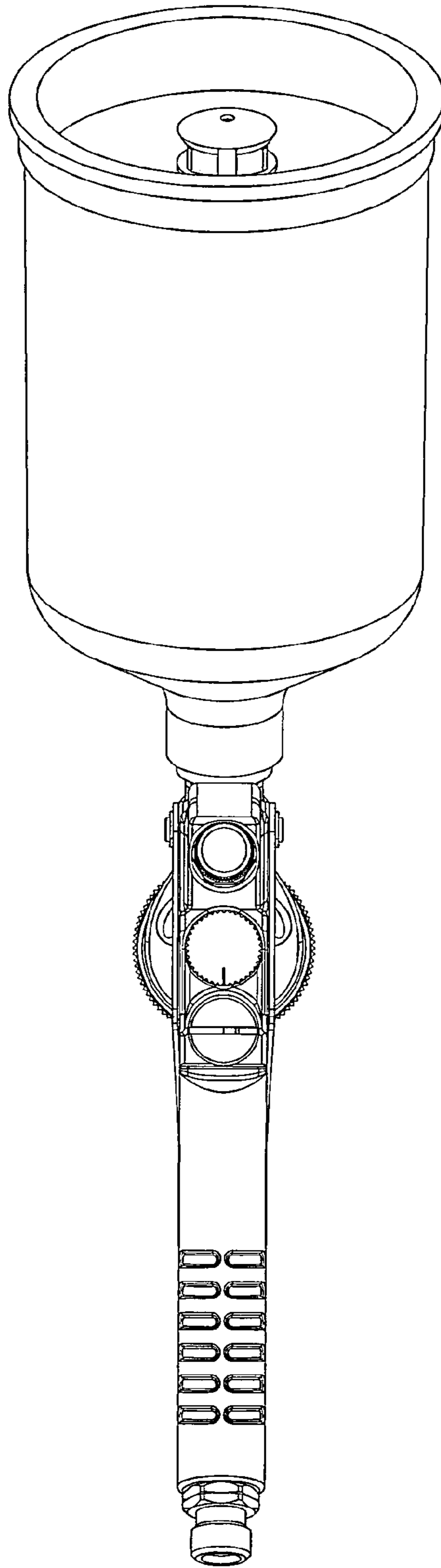


Fig.3

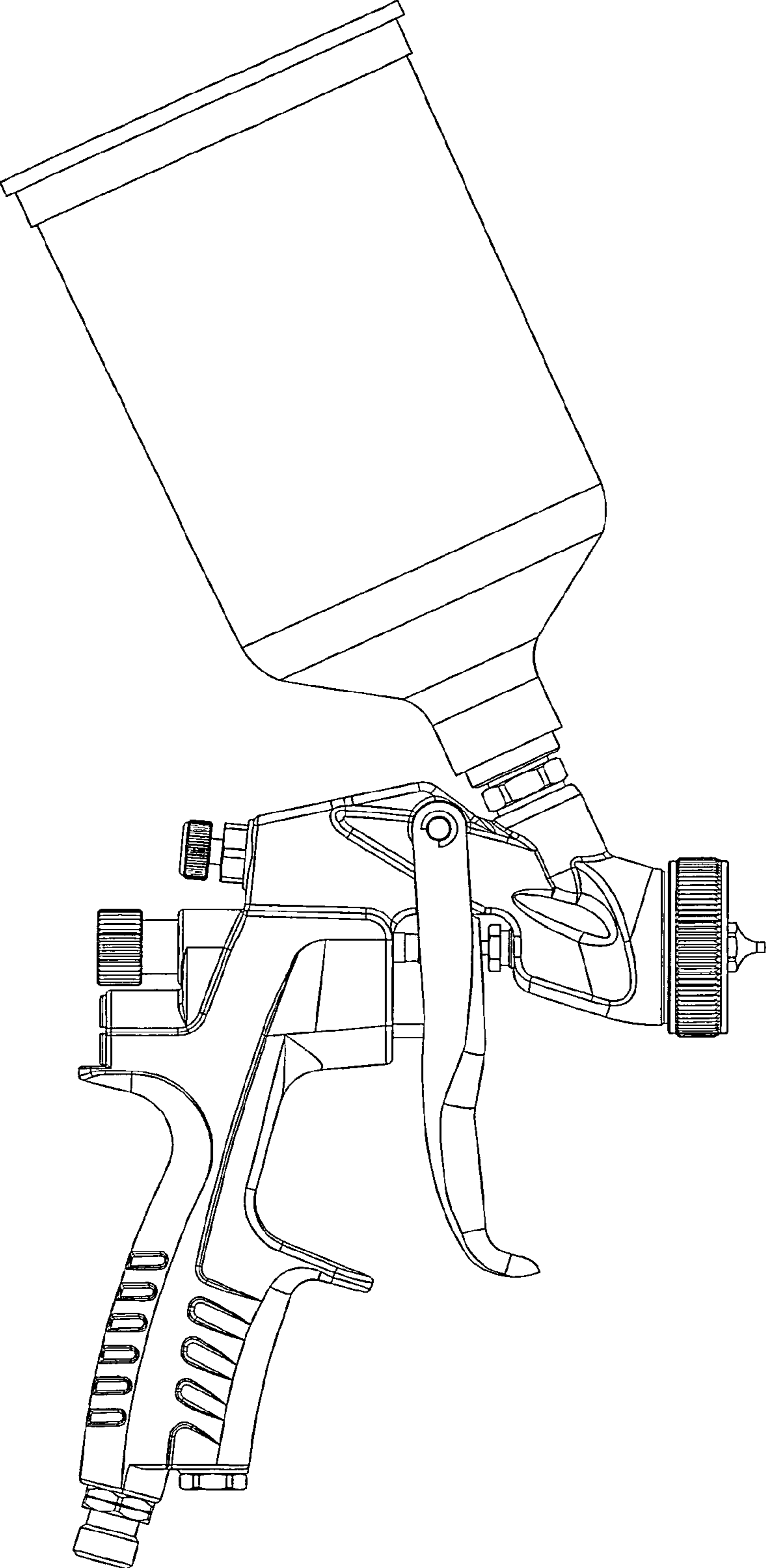


Fig.4

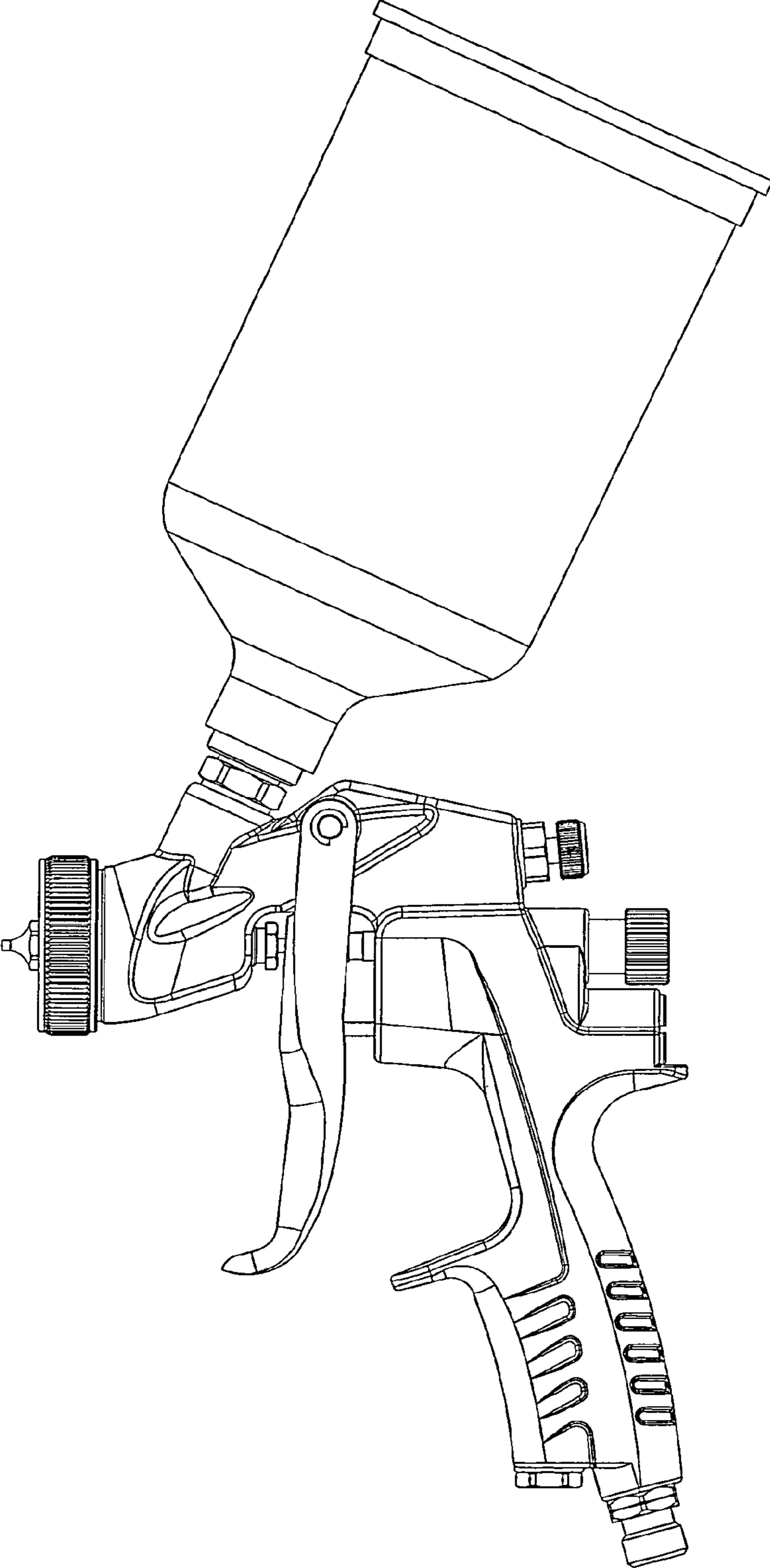


Fig.5

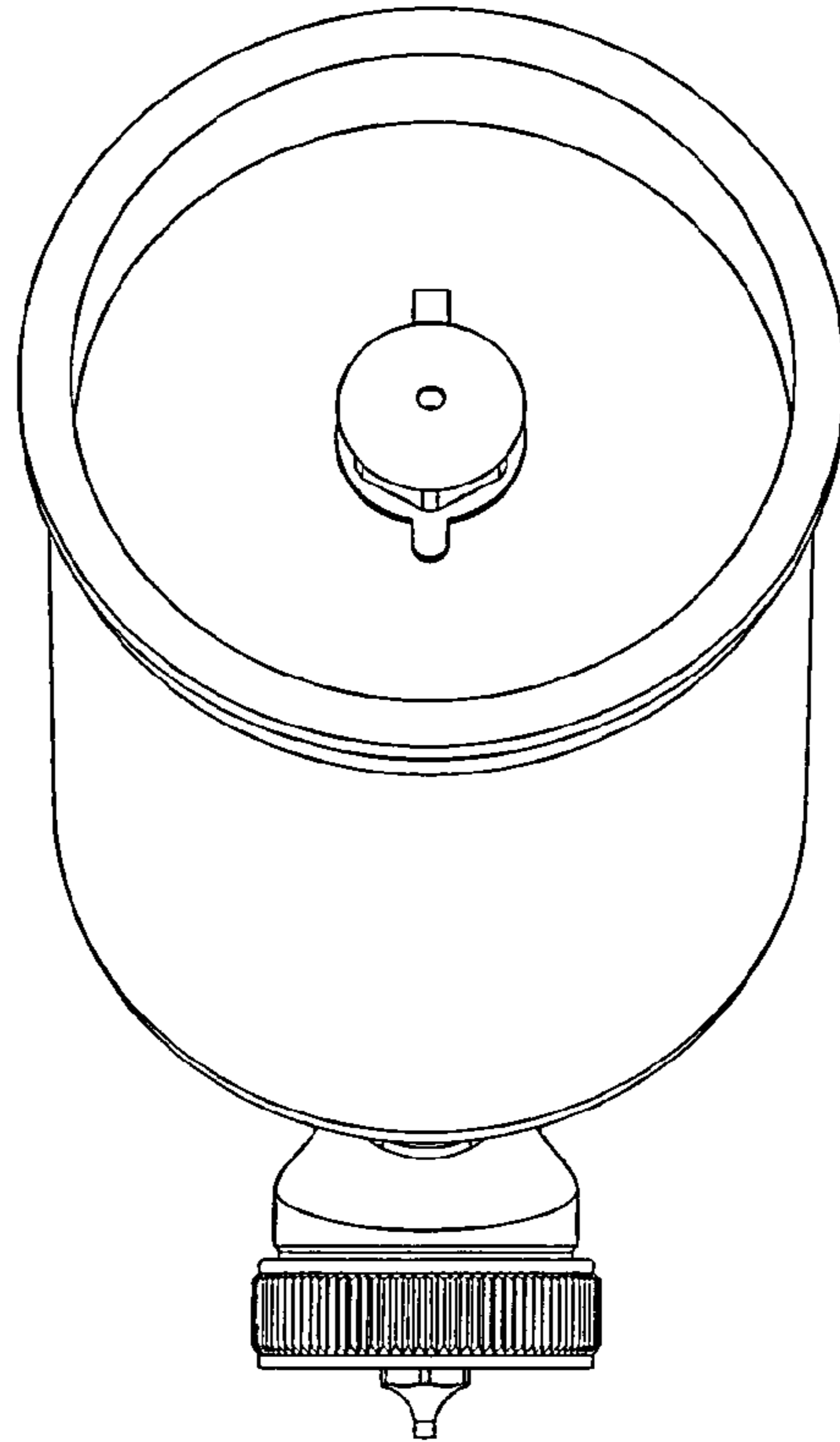


Fig.6

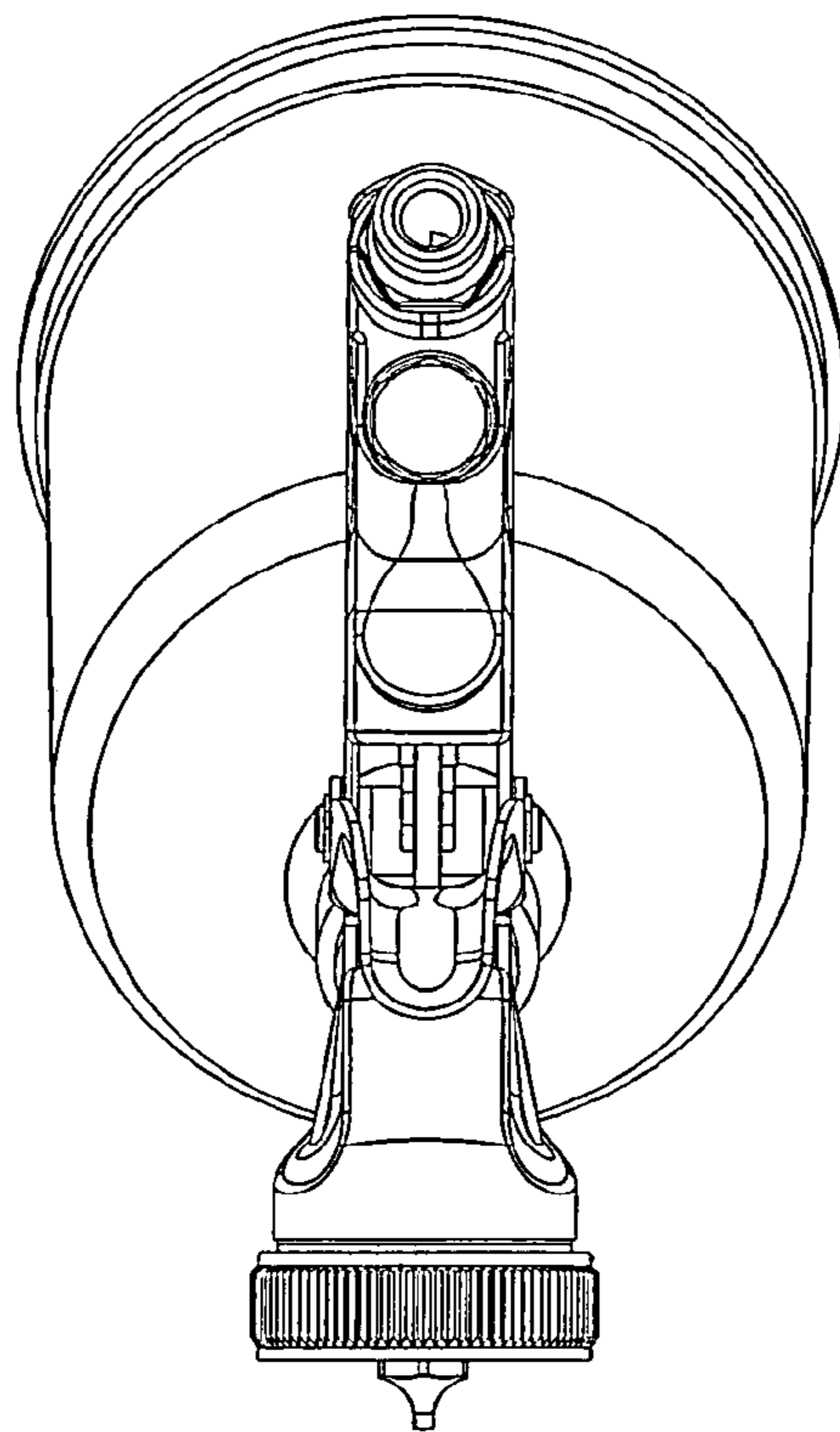


Fig.7