



US00D704298S

(12) **United States Design Patent**
Cheng

(10) **Patent No.:** **US D704,298 S**

(45) **Date of Patent:** **** May 6, 2014**

(54) **VERTICAL GRIP WITH INTEGRATED LASER SIGHT AND FLASHLIGHT**

(71) Applicant: **Carson Cheng**, City of Industry, CA (US)

(72) Inventor: **Carson Cheng**, City of Industry, CA (US)

(73) Assignee: **NcStar, Inc.**, City of Industry, CA (US)

(**) Term: **14 Years**

(21) Appl. No.: **29/440,385**

(22) Filed: **Dec. 20, 2012**

(51) **LOC (10) Cl.** **22-01**

(52) **U.S. Cl.**
USPC **D22/109**

(58) **Field of Classification Search**
USPC D22/108; 42/90, 94, 114, 117,
42/124-127, 131, 146; 362/109-114
See application file for complete search history.

(56) **References Cited**

U.S. PATENT DOCUMENTS

D566,219	S *	4/2008	Moody et al.	D22/108
D566,220	S *	4/2008	Moody et al.	D22/108
7,490,429	B2 *	2/2009	Moody et al.	42/72
7,559,167	B1 *	7/2009	Moody et al.	42/72
D608,408	S *	1/2010	Moody et al.	D22/109
D633,163	S *	2/2011	Fitzpatrick et al.	D22/108

7,909,301	B2 *	3/2011	Faifer	248/440.1
D639,888	S *	6/2011	McPherson	D22/107
D642,651	S *	8/2011	Faifer	D22/108
D644,707	S *	9/2011	Faifer	D22/108
8,429,843	B2 *	4/2013	Yan	42/72
8,607,492	B2 *	12/2013	Hartley et al.	42/72

* cited by examiner

Primary Examiner — Michael A Pratt

(74) *Attorney, Agent, or Firm* — Intellectual Property Law Group LLP

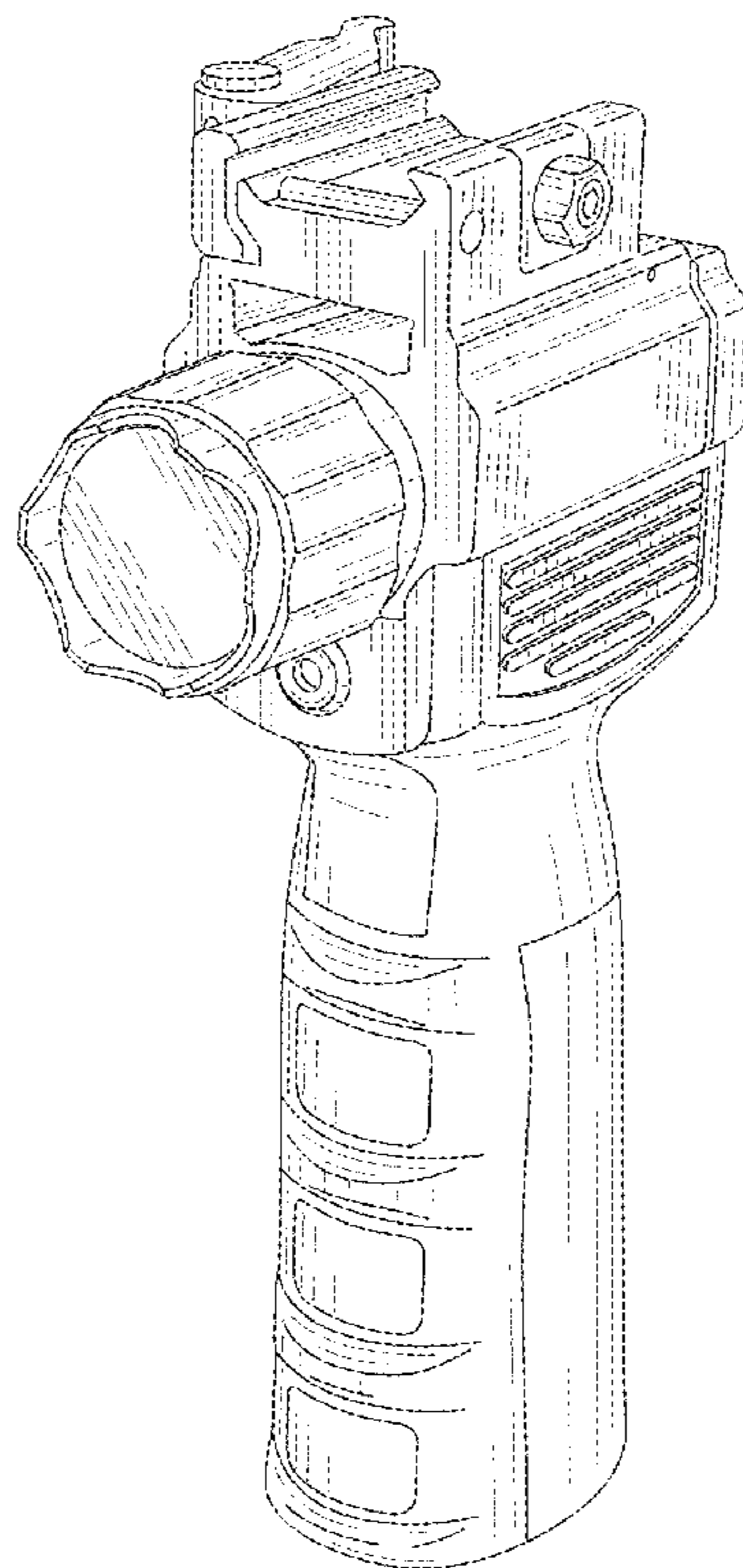
(57) **CLAIM**

The ornamental design for a vertical grip with integrated laser sight and flashlight, as shown and described.

DESCRIPTION

FIG. 1 is a top, front, right side perspective view of a vertical grip with is integrated laser sight and flashlight, embodying my new design;
FIG. 2 is a bottom, rear, left side perspective view thereof;
FIG. 3 is a front elevational view thereof;
FIG. 4 is a rear elevational view thereof;
FIG. 5 is a left side elevational view thereof;
FIG. 6 is a right side elevational view thereof;
FIG. 7 is a top plan view thereof; and,
FIG. 8 is a bottom plan view thereof.

1 Claim, 4 Drawing Sheets



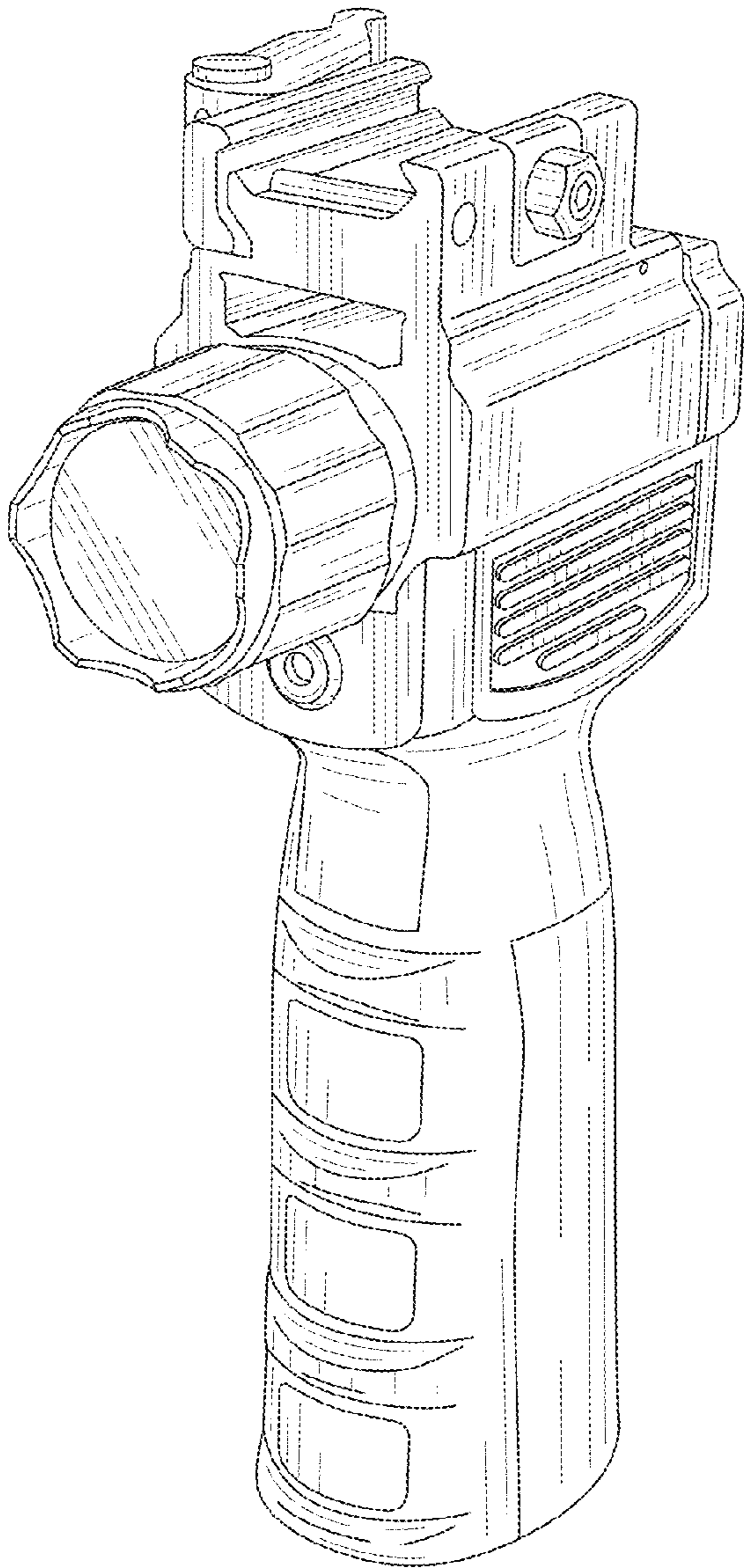


FIG. 1

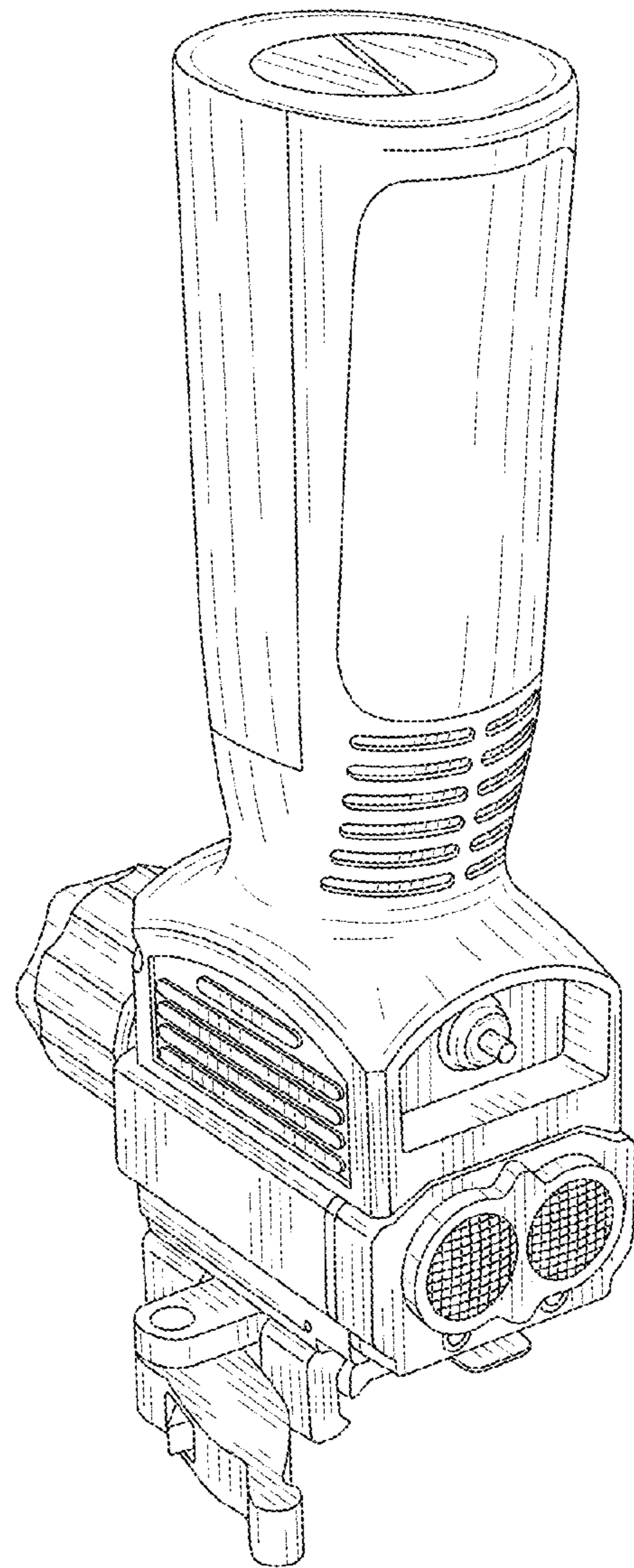


FIG. 2

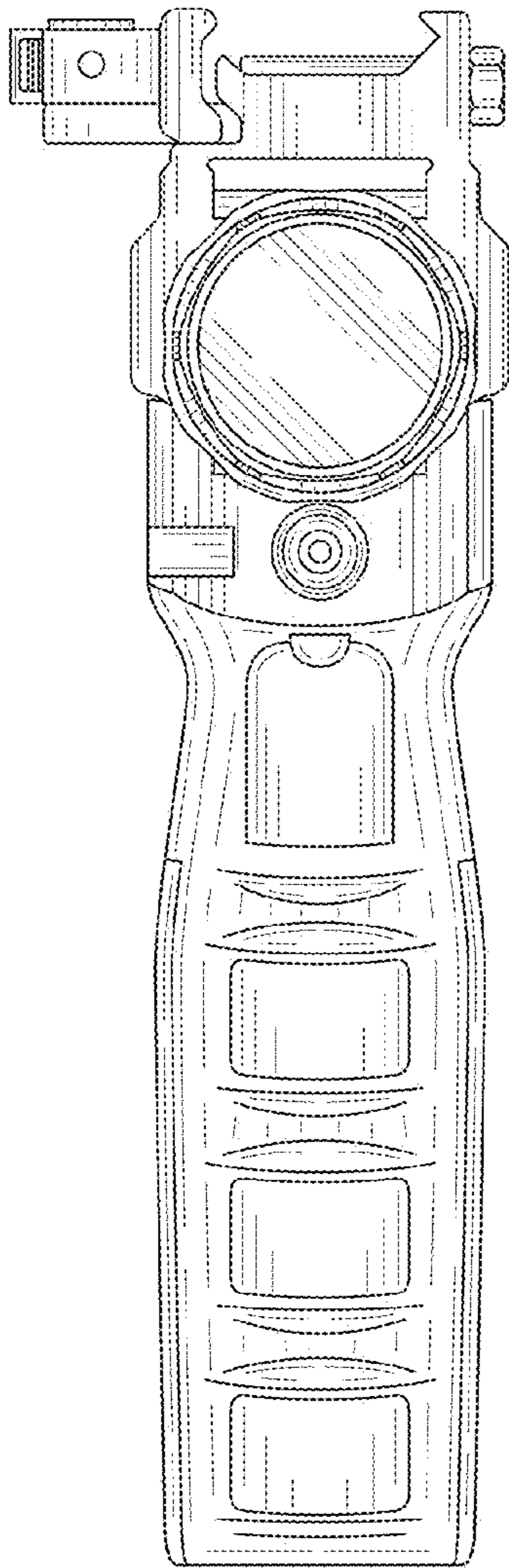


FIG. 3

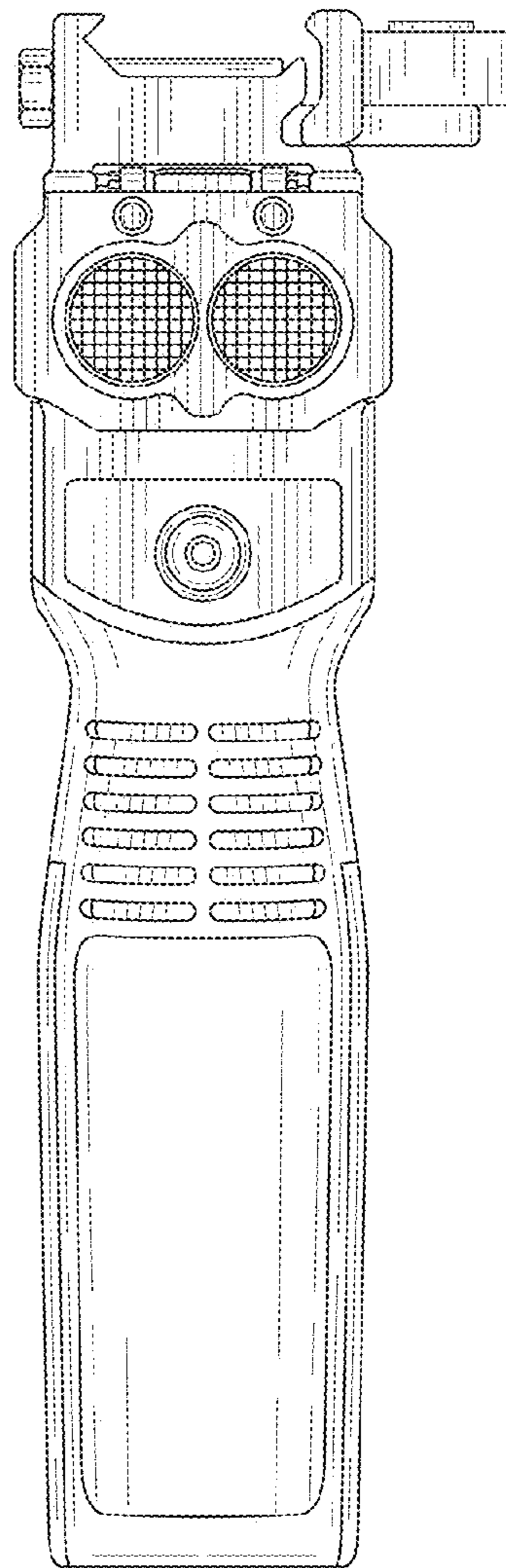


FIG. 4

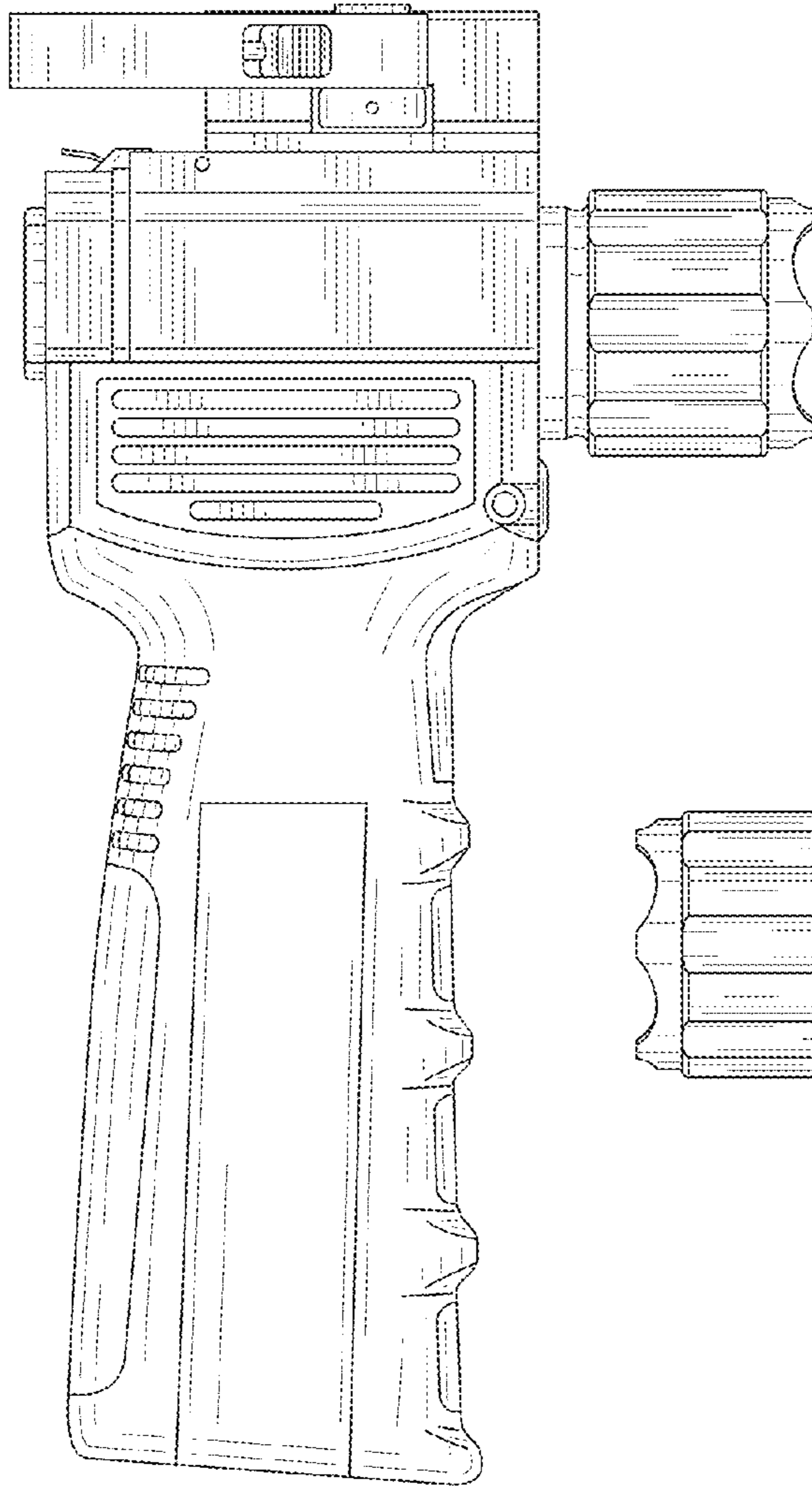


FIG. 5

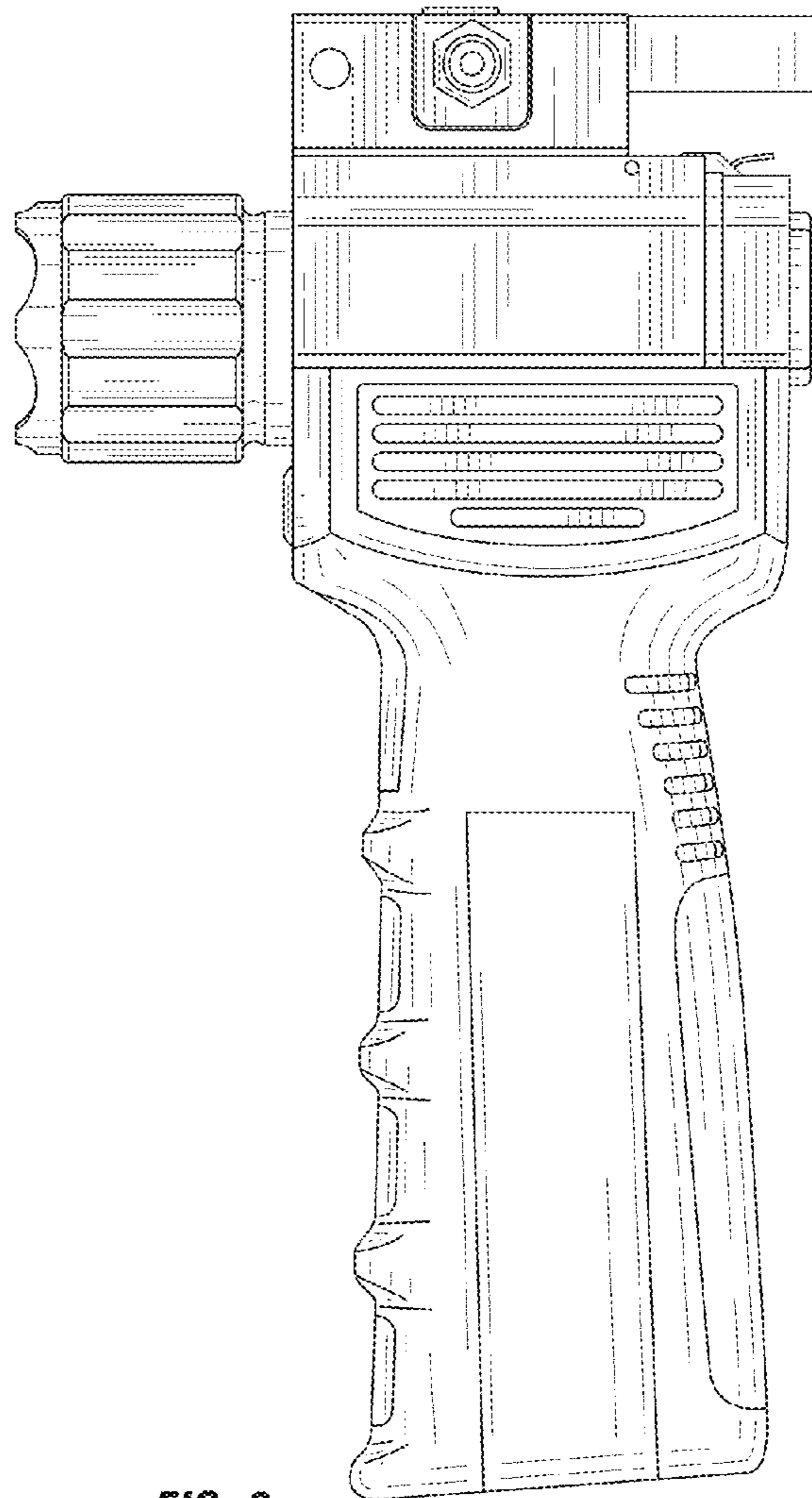


FIG. 6

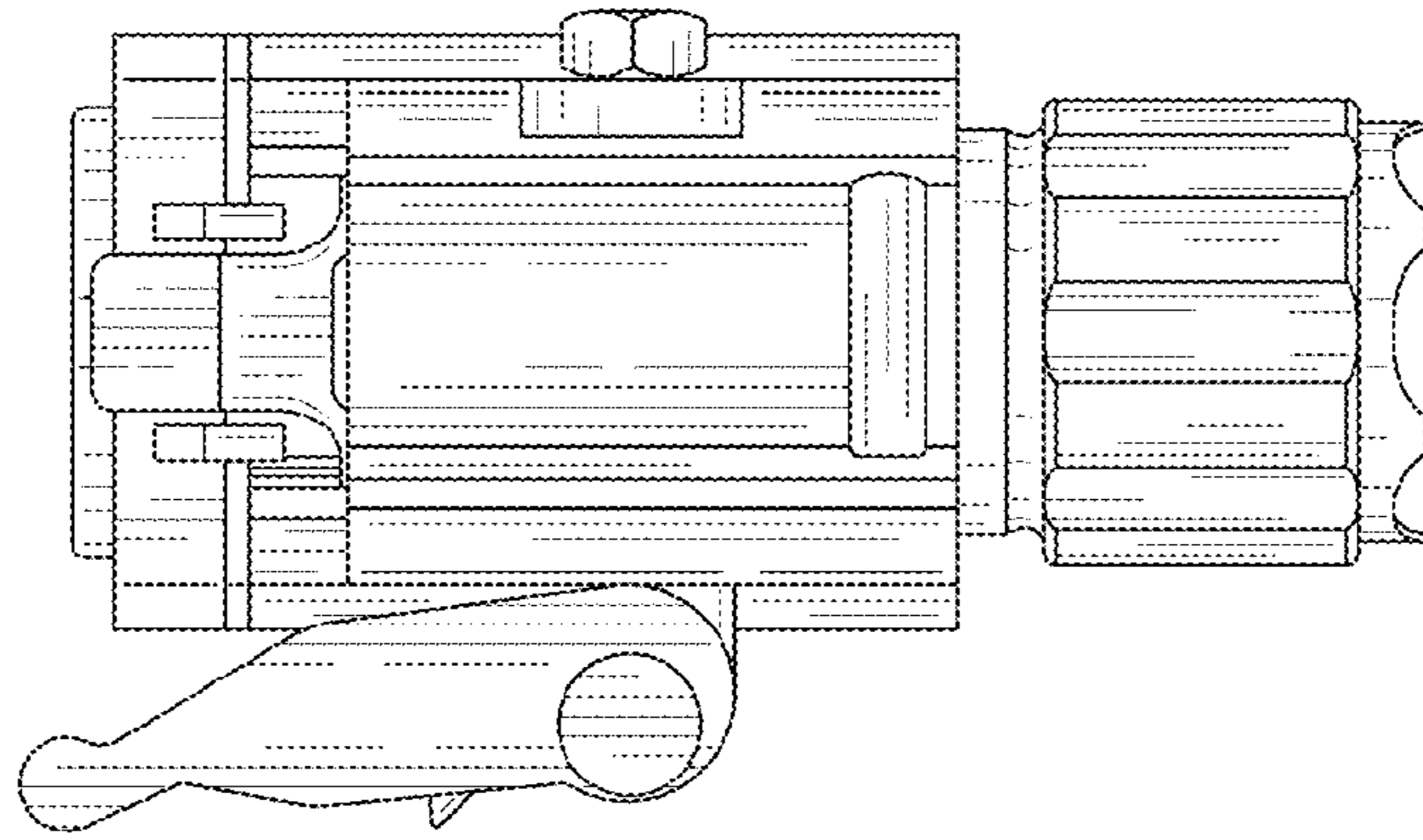


FIG. 7

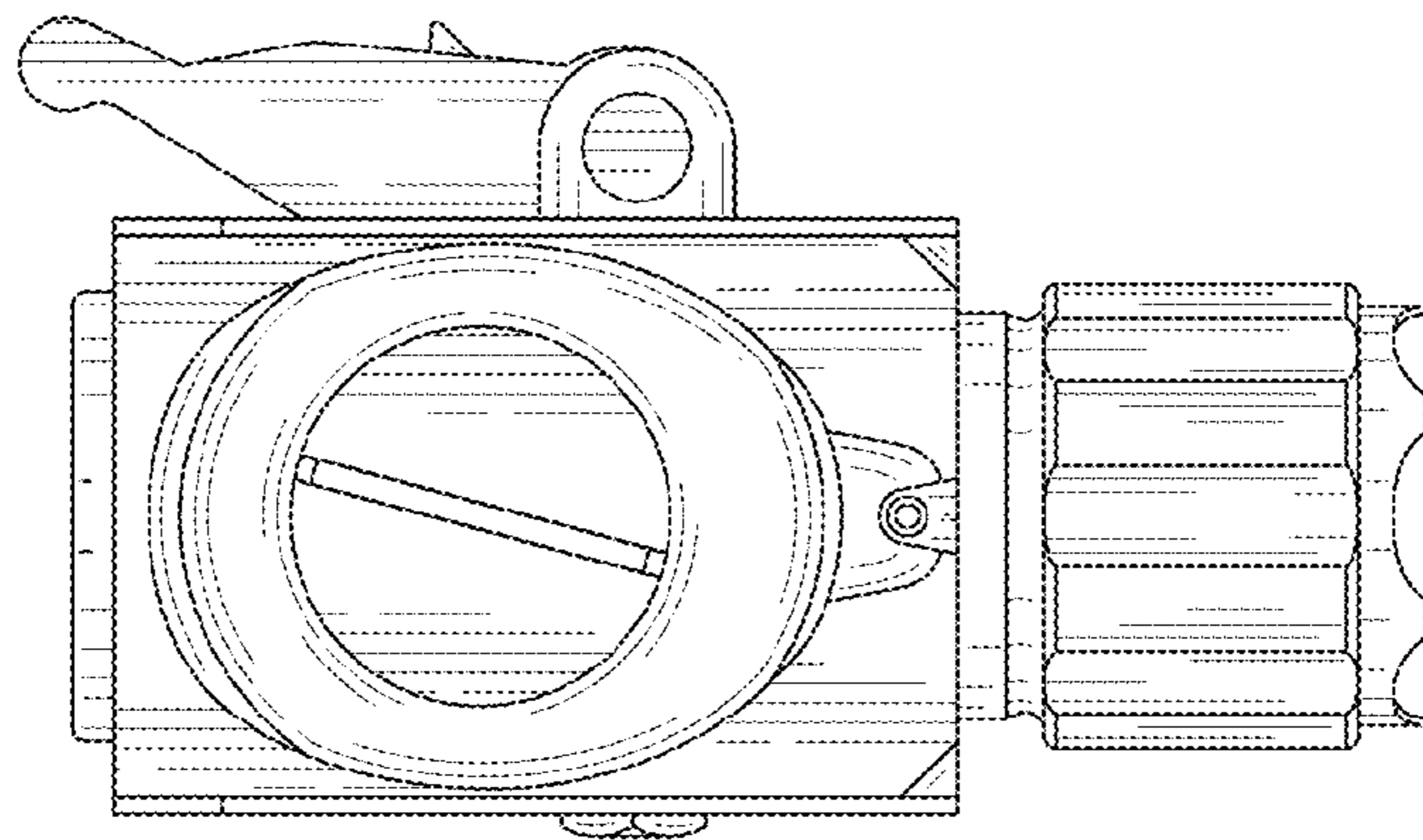


FIG. 8