



US00D704296S

(12) **United States Design Patent**
Cheng

(10) **Patent No.:** **US D704,296 S**

(45) **Date of Patent:** **** May 6, 2014**

(54) **ARMORED REFLEX SIGHT WITH UTILITY
RAILS AND INTEGRATED LASER SIGHT**

(71) Applicant: **Carson Cheng**, City of Industry, CA
(US)

(72) Inventor: **Carson Cheng**, City of Industry, CA
(US)

(73) Assignee: **NcStar, Inc.**, City of Industry, CA (US)

(**) Term: **14 Years**

(21) Appl. No.: **29/440,381**

(22) Filed: **Dec. 20, 2012**

(51) **LOC (10) Cl.** **22-01**

(52) **U.S. Cl.**
USPC **D22/109**

(58) **Field of Classification Search**
USPC D22/108-109; 42/111-128; 33/297;
89/1.61, 200-204

See application file for complete search history.

(56) **References Cited**

U.S. PATENT DOCUMENTS

D619,190 S *	7/2010	Larsson	D22/108
D662,566 S *	6/2012	Estes	D22/109
8,296,991 B1 *	10/2012	Chung	42/111
D676,096 S *	2/2013	Gambino	D22/109

* cited by examiner

Primary Examiner — Michael A Pratt

(74) *Attorney, Agent, or Firm* — Intellectual Property Law Group LLP

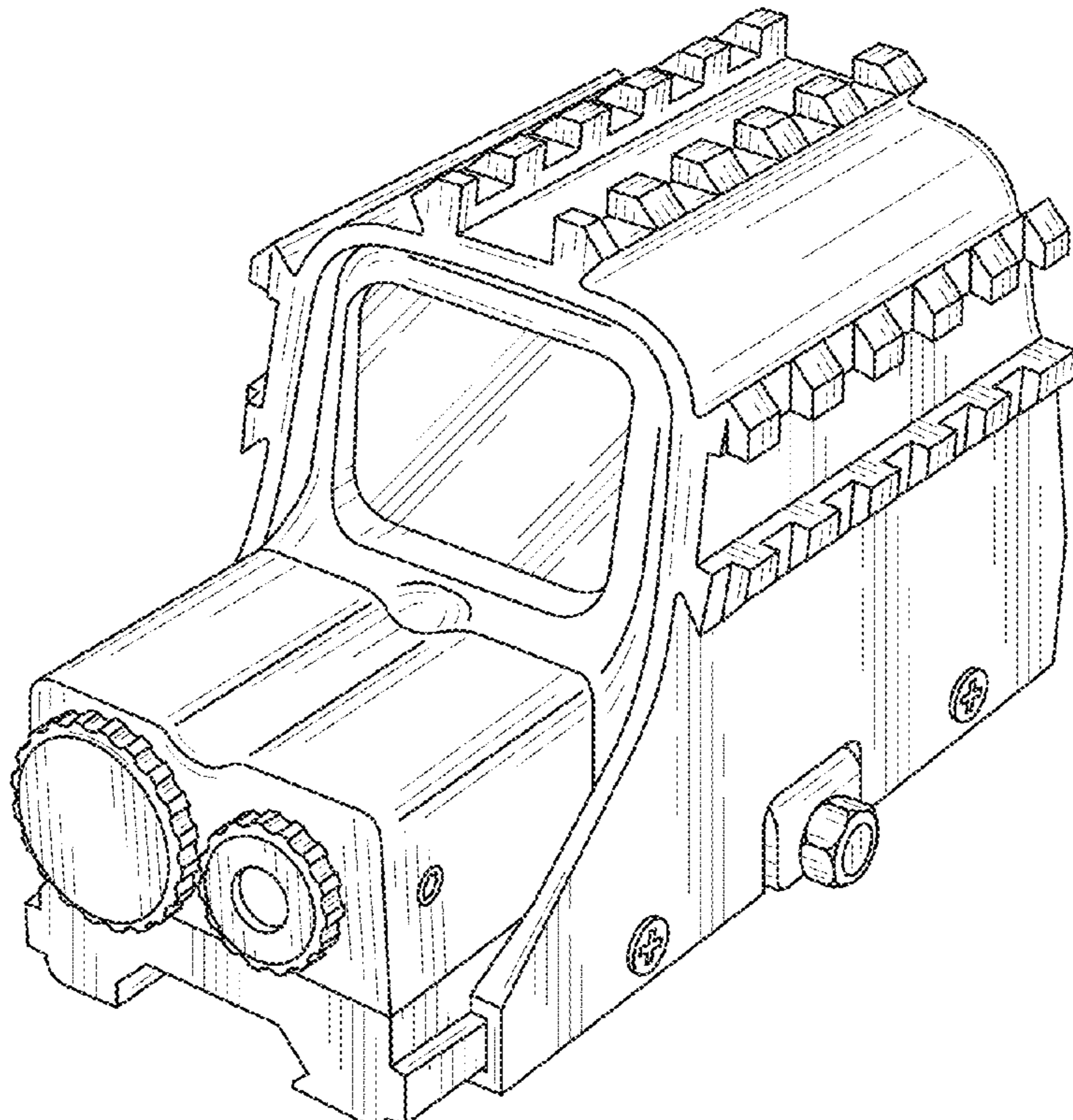
(57) **CLAIM**

The ornamental design for an armored reflex sight with utility rails and integrated laser sight, as shown and described.

DESCRIPTION

FIG. 1 is a top, front, right side perspective view of an armored reflex sight with utility rails and integrated laser sight, embodying is my new design;
FIG. 2 is a bottom, rear, left side perspective view thereof;
FIG. 3 is a rear elevational view thereof;
FIG. 4 is a front elevational view thereof;
FIG. 5 is a right side elevational view thereof;
FIG. 6 is a left side elevational view thereof;
FIG. 7 is a top plan view thereof; and,
FIG. 8 is a bottom plan view thereof.

1 Claim, 4 Drawing Sheets



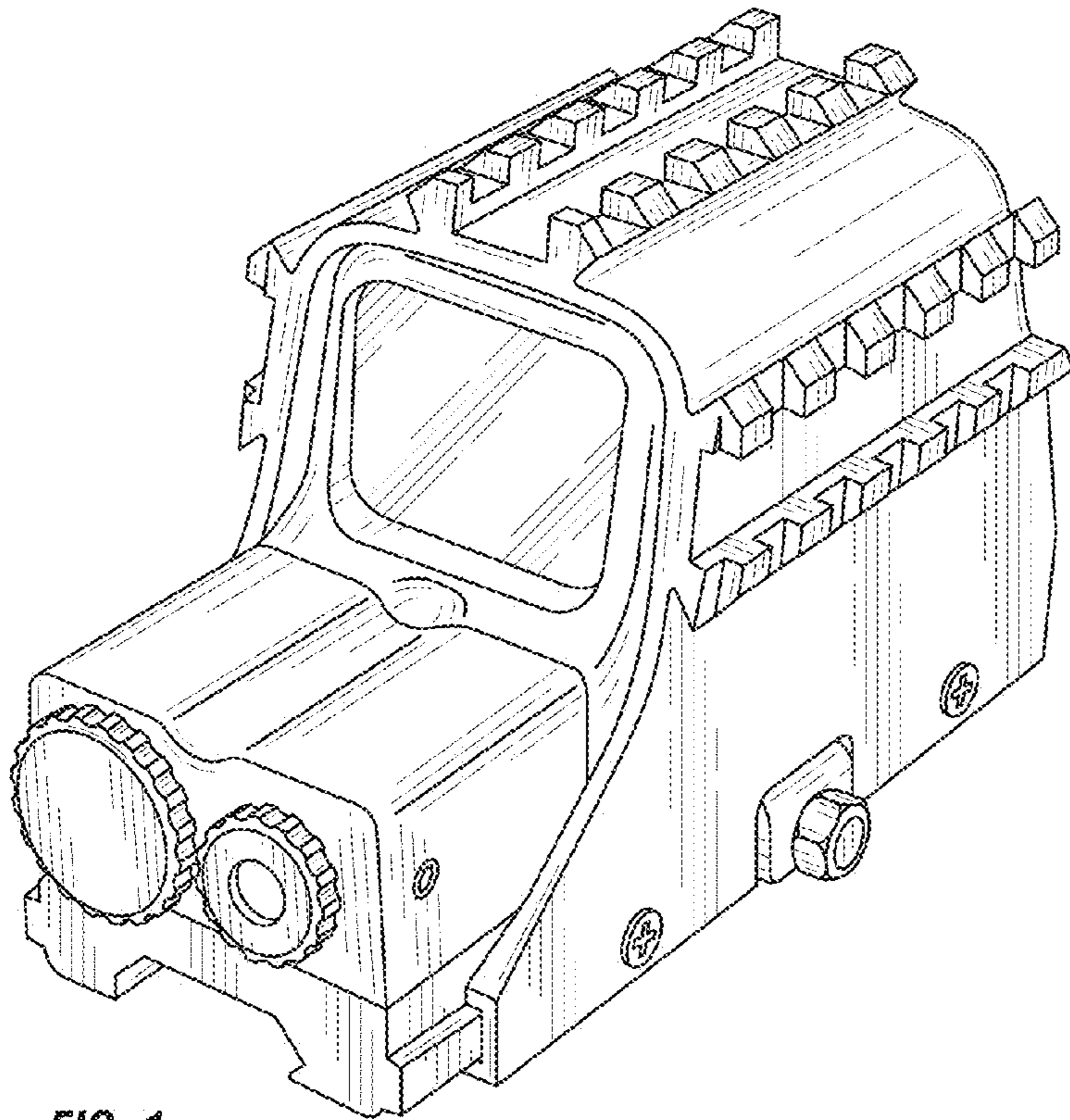


FIG. 1

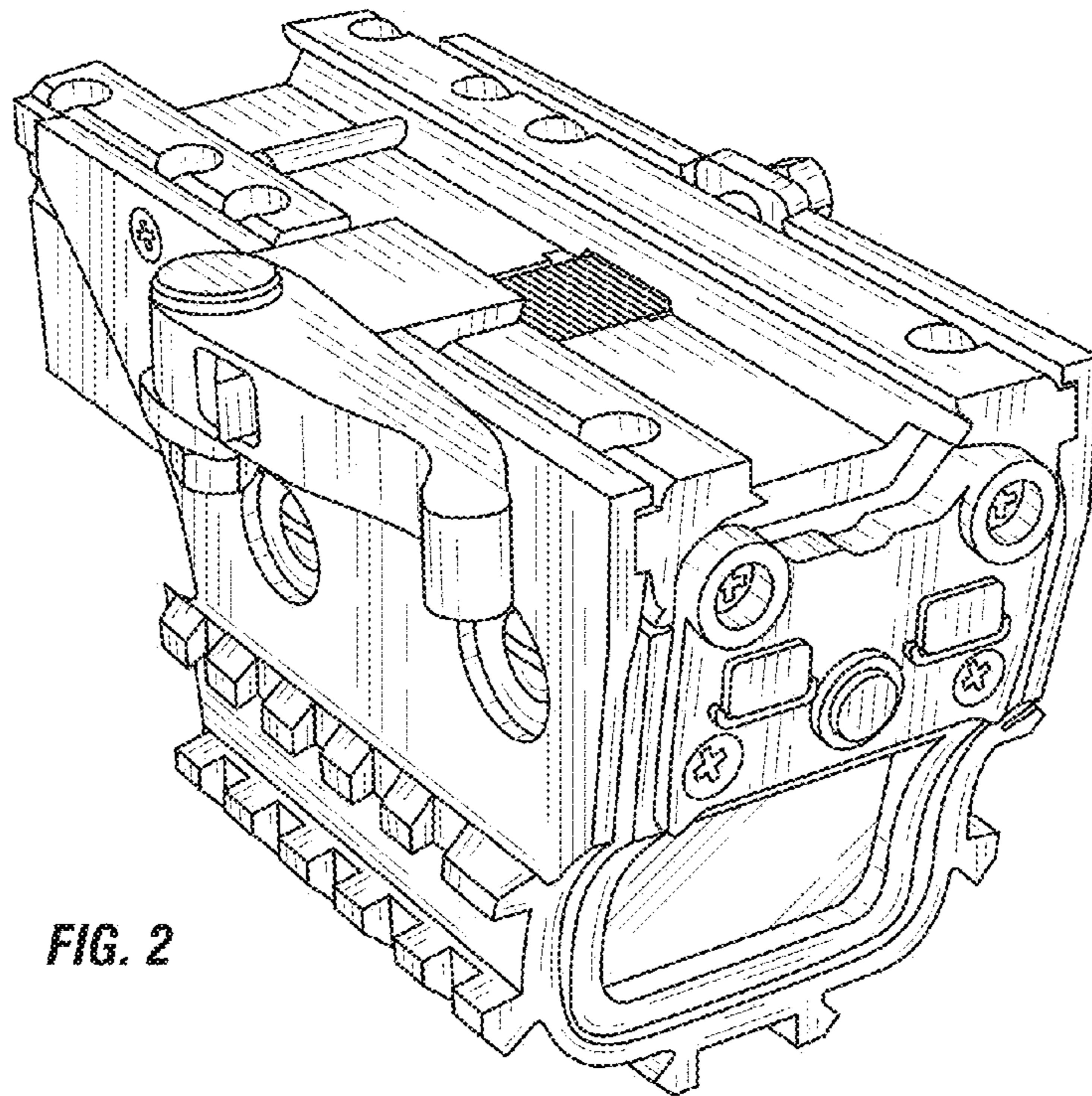


FIG. 2

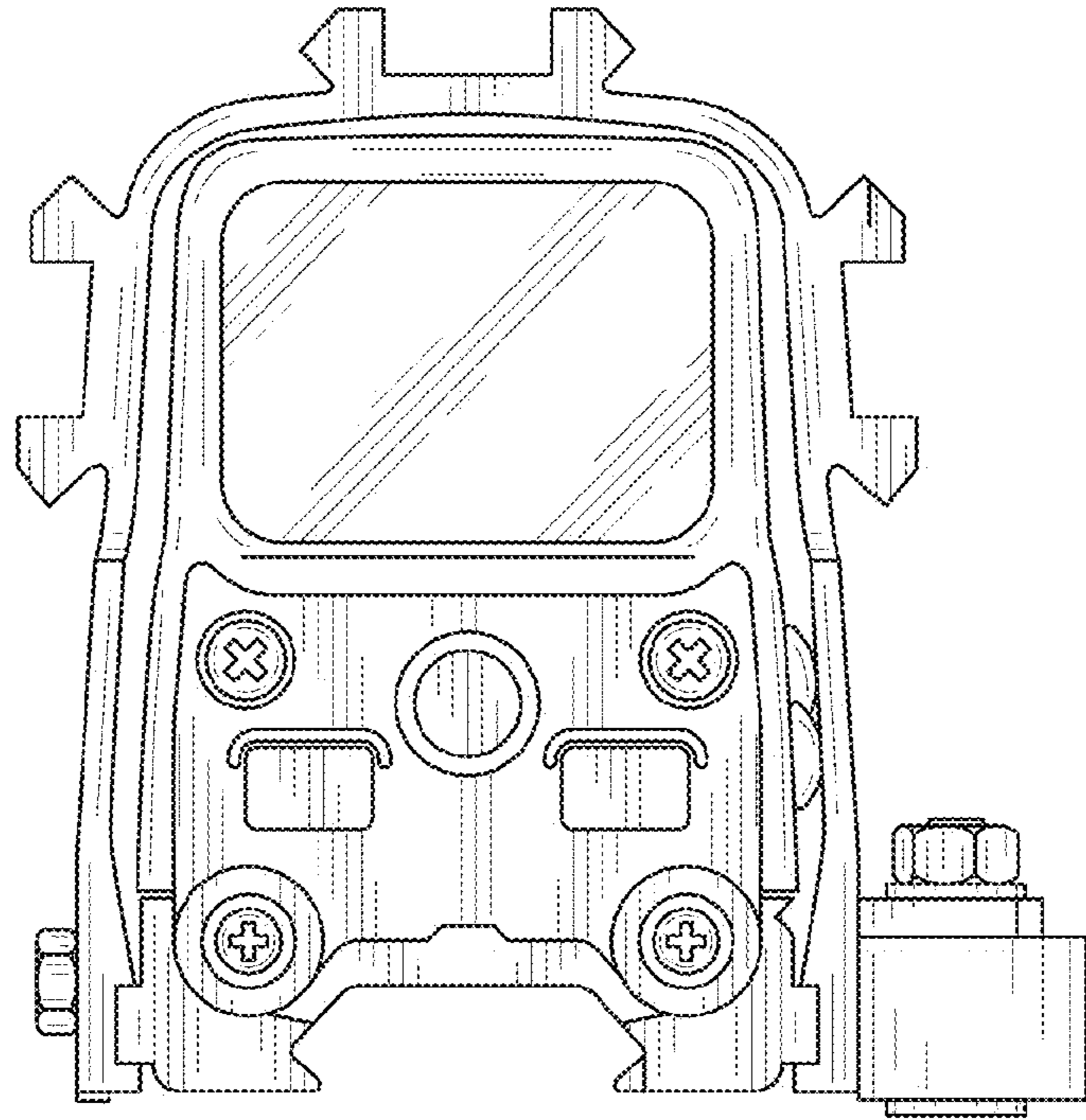


FIG. 3

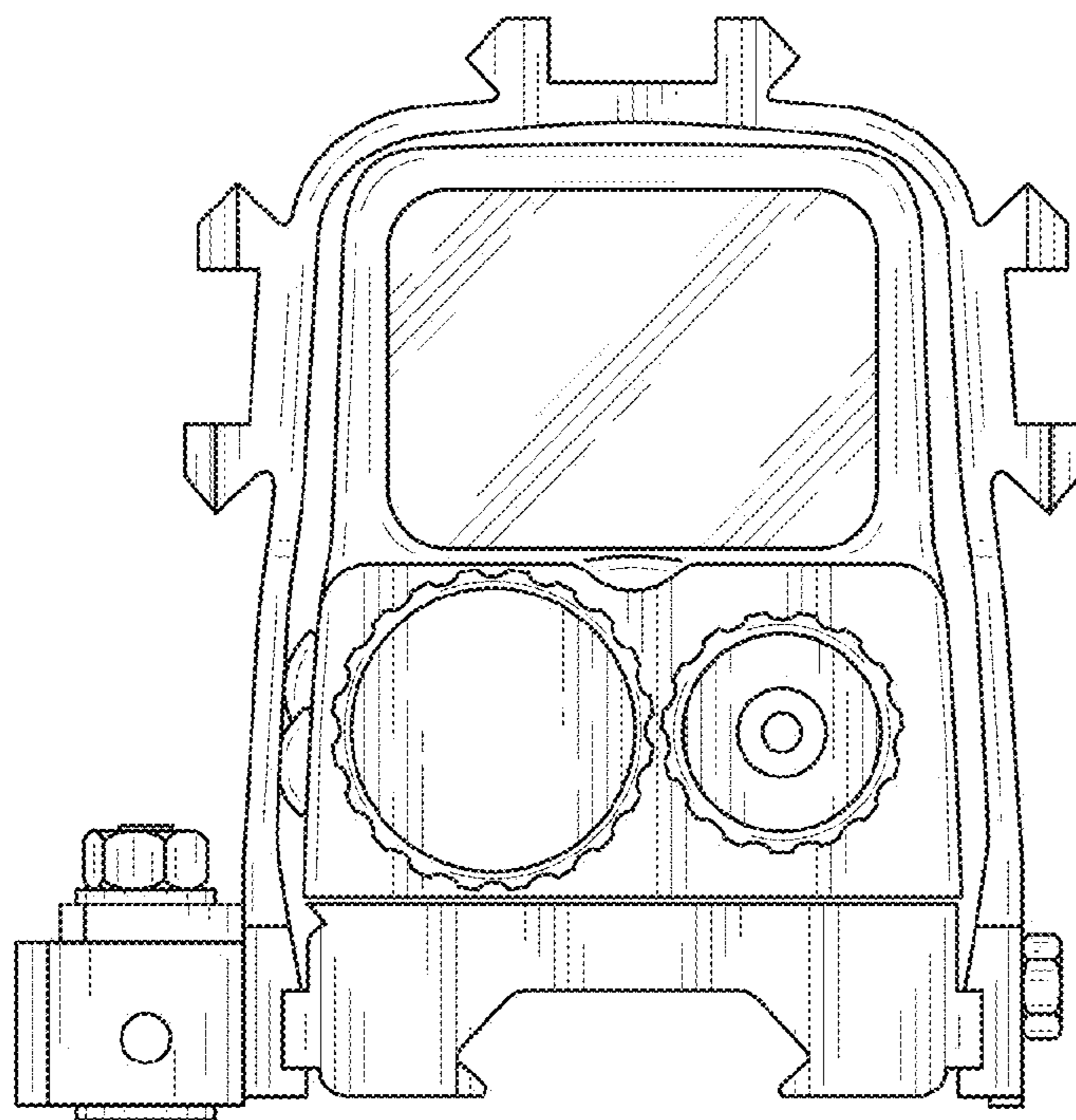


FIG. 4

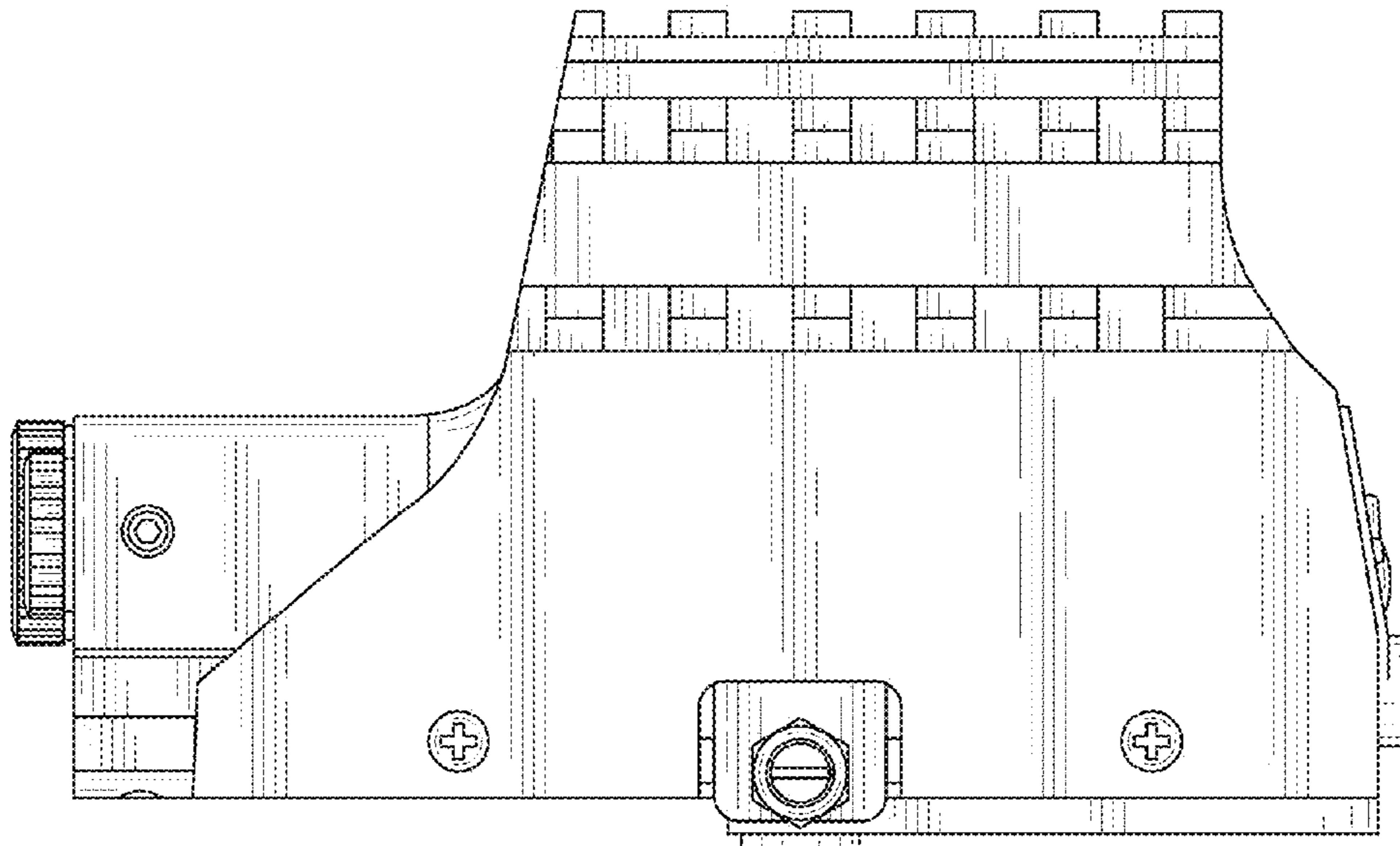


FIG. 5

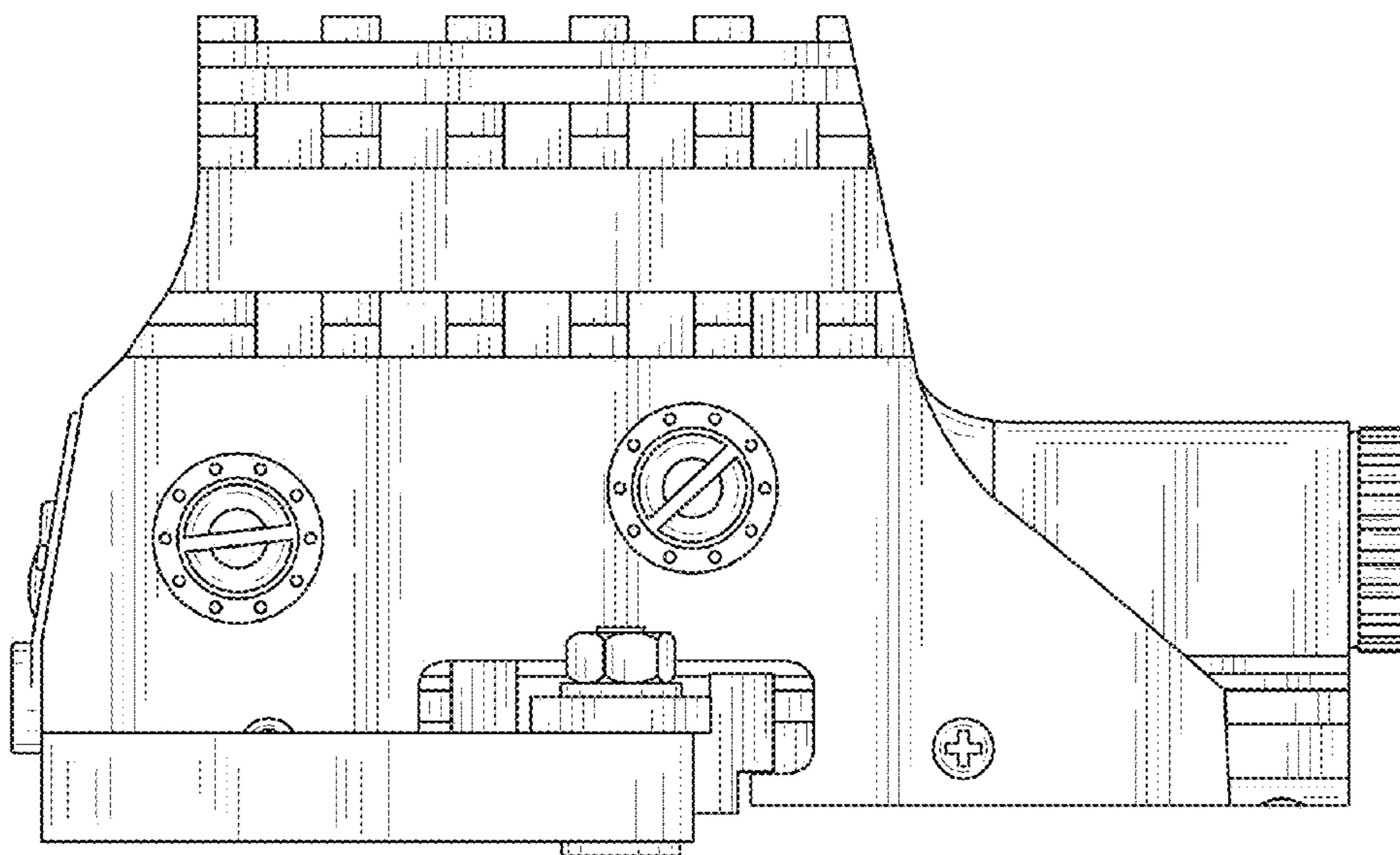


FIG. 6

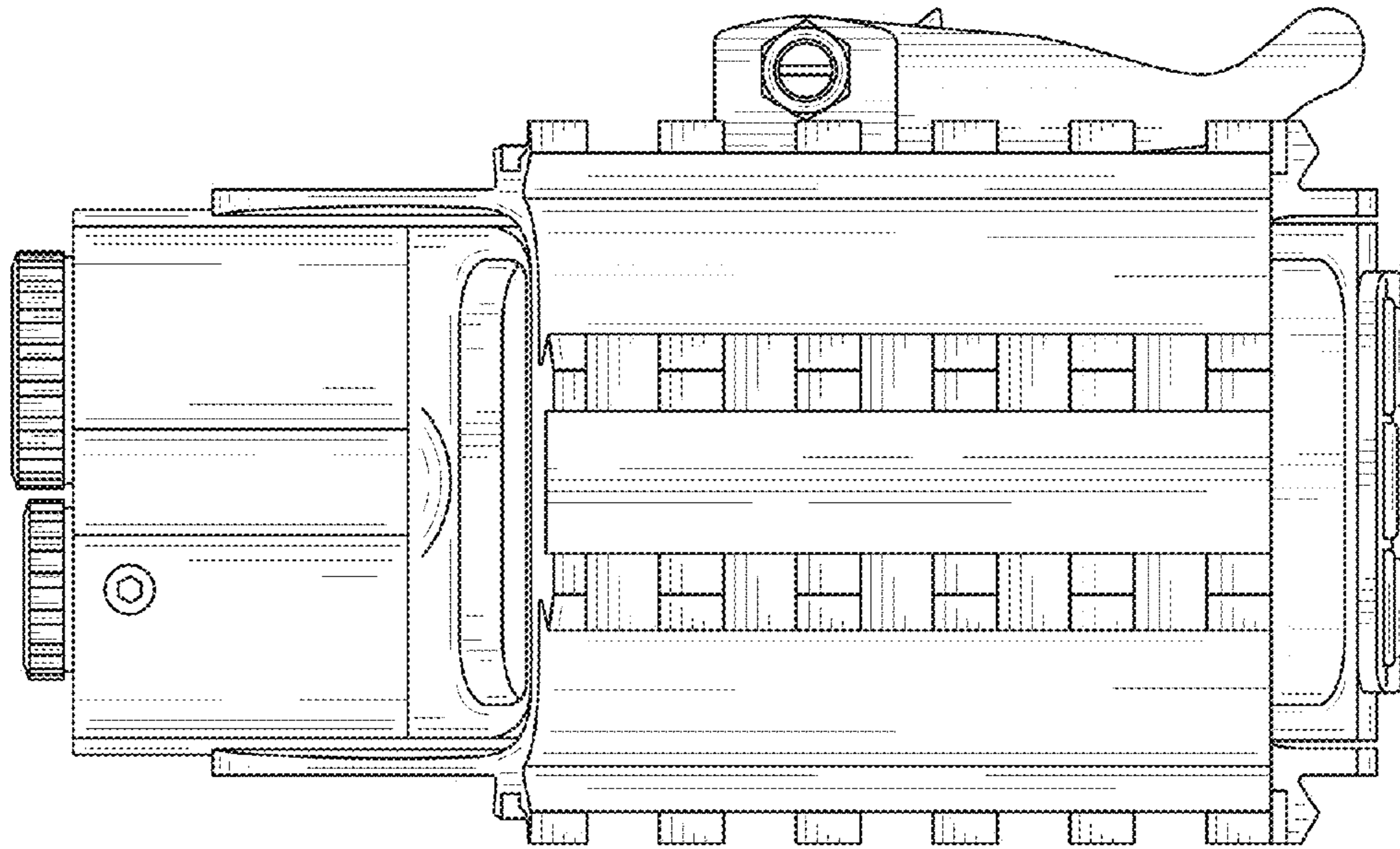


FIG. 7

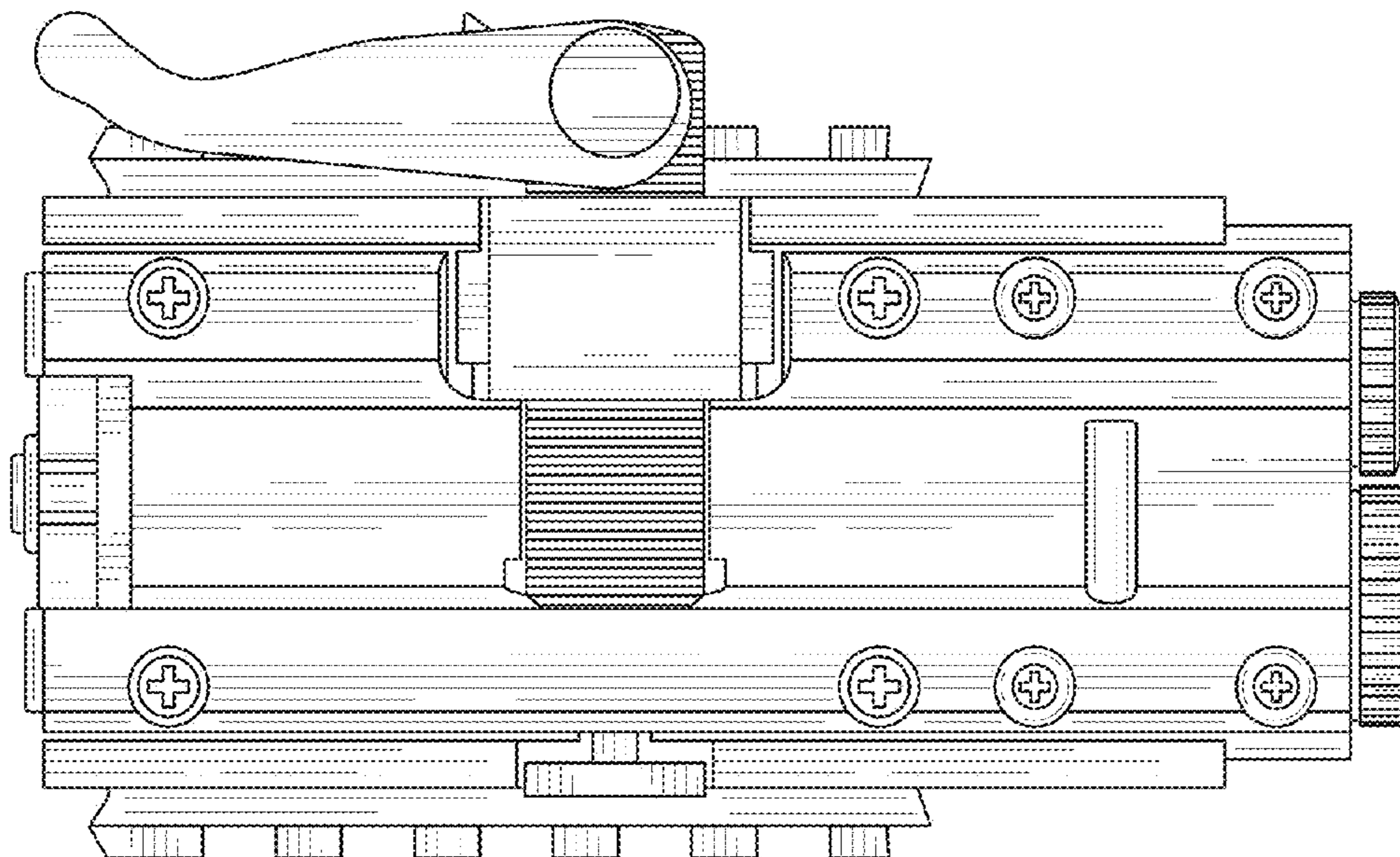


FIG. 8