



US00D704295S

(12) **United States Design Patent**
Hodge et al.

(10) **Patent No.:** **US D704,295 S**
(45) **Date of Patent:** **** May 6, 2014**

(54) **RETICLE FOR RIFLESCOPE OR OTHER PROJECTILE-WEAPON AIMING DEVICE**

8,656,630 B2 2/2014 Sammut
2006/0026887 A1 2/2006 Verdugo
(Continued)

(71) Applicants: **Stephen R. Hodge**, North Plains, OR (US); **Martin Koornneef**, Beaverton, OR (US)

FOREIGN PATENT DOCUMENTS

(72) Inventors: **Stephen R. Hodge**, North Plains, OR (US); **Martin Koornneef**, Beaverton, OR (US)

WO WO 2013/106280 7/2013

OTHER PUBLICATIONS

(73) Assignee: **Leupold & Stevens, Inc.**, Beaverton, OR (US)

“A Closer Look at Horus Vision TreMoR2 Reticle”, twobirdsflyingpub.wordpress.com/2011/07/07/a-closer-look-at-horus-vision-tremor2-reticle/, Jul. 7, 2011, visited Jul. 12, 2012.

(Continued)

(**) Term: **14 Years**

Primary Examiner — Michael A Pratt

(21) Appl. No.: **29/436,867**

(22) Filed: **Nov. 9, 2012**

(51) **LOC (10) Cl.** **22-01**

(52) **U.S. Cl.**
USPC **D22/109**

(58) **Field of Classification Search**
USPC D22/108–109; 250/467.1; D14/404; D16/130–133, 134–136; 356/21, 138, 356/139, 139.1, 139.02; 33/227, 297, 298, 33/299; 42/111, 113, 122, 124, 130, 42/134–135; 235/414; 89/19, 161, 89/200–204; 359/424, 428

See application file for complete search history.

(56) **References Cited**

U.S. PATENT DOCUMENTS

7,100,320 B2	9/2006	Verdugo	
7,325,353 B2	2/2008	Cole	
D567,326 S *	4/2008	Pride et al.	D22/109
D613,363 S *	4/2010	Huber	D22/109
D631,125 S *	1/2011	Huber	D22/109
D679,776 S *	4/2013	Bracken et al.	D22/109
D679,777 S *	4/2013	Bracken et al.	D22/109
D680,187 S *	4/2013	Bracken et al.	D22/109
D684,653 S *	6/2013	Smith et al.	D22/109

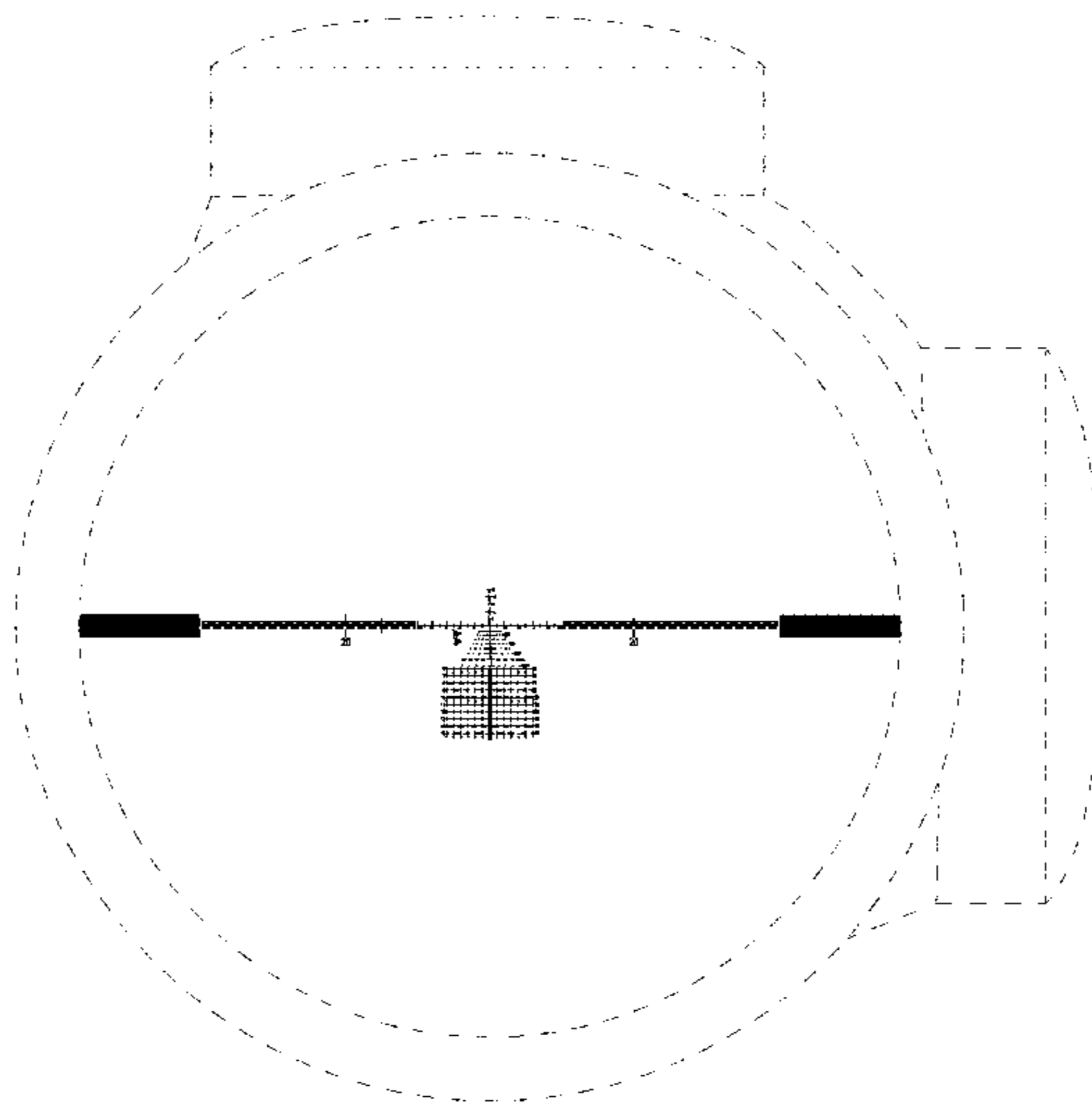
(57) **CLAIM**

We claim the ornamental design for a reticle for a rifle scope or other projectile-weapon aiming device, as shown and described.

DESCRIPTION

FIG. 1 is a view of a reticle for a rifle scope or other projectile-weapon aiming device, as viewed at low magnification through an eyepiece end of a rifle scope, according to a first embodiment;
FIG. 2 is a view of the reticle of FIG. 1, as viewed at high magnification through an eyepiece end of a rifle scope;
FIG. 3 is a view of a reticle for a rifle scope or other projectile-weapon aiming device, as viewed at low magnification through an eyepiece end of a rifle scope, according to a second embodiment;
FIG. 4 is a view of the reticle of FIG. 3, as viewed at high magnification through an eyepiece end of a rifle scope; and,
FIG. 5 is an isometric view of an environment of use for the reticles of FIGS. 1-4.
In FIGS. 1-5, the dashed lines indicate environmental features that form no part of the claimed ornamental design.

1 Claim, 5 Drawing Sheets



(56)

References Cited

U.S. PATENT DOCUMENTS

2006/0260171	A1	11/2006	Cole et al.	
2008/0010891	A1	1/2008	Cole	
2008/0098640	A1*	5/2008	Sammur et al.	42/122
2009/0199451	A1	8/2009	Zaderey	
2011/0132983	A1	6/2011	Sammur et al.	
2012/0137567	A1*	6/2012	Sammur	42/130
2012/0186130	A1	7/2012	Tubb	

OTHER PUBLICATIONS

Leupold Tactical Optics, "Leupold® 5.56/.223 Close Mid-Range Reticle with Wind Holds (CMR-W)", Jan. 6, 2012.
Leupold Tactical Optics, "Leupold® 7.62/.308 Close Mid-Range Reticle with Wind Holds (CMR-W)", Jan. 6, 2012.
Valdada, "QR-TS 3×25 30mm Tactical BDC .223 Scope Illuminated CQB Reticle," at least as early as Nov. 9, 2011.

* cited by examiner

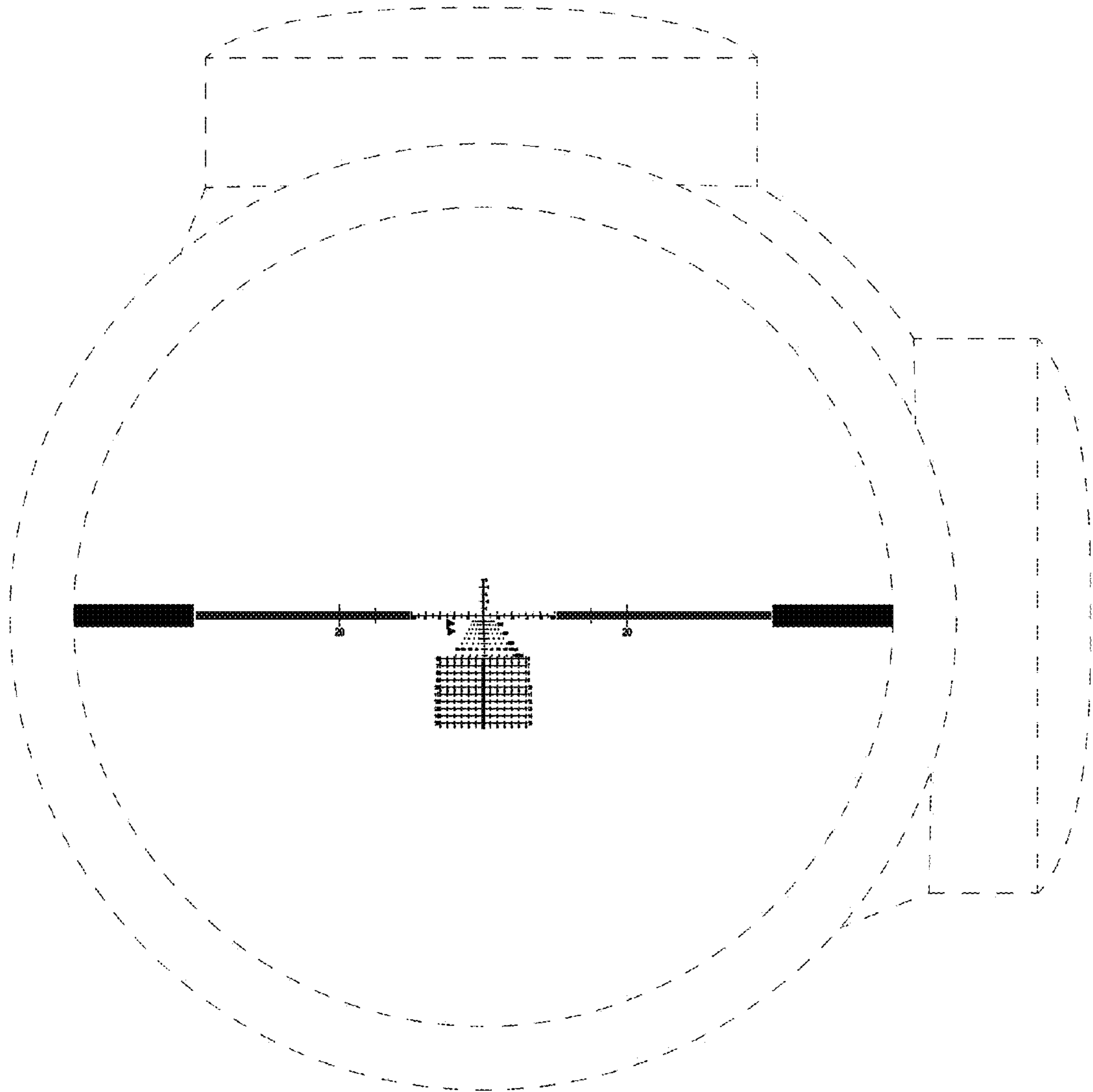


FIG. 1

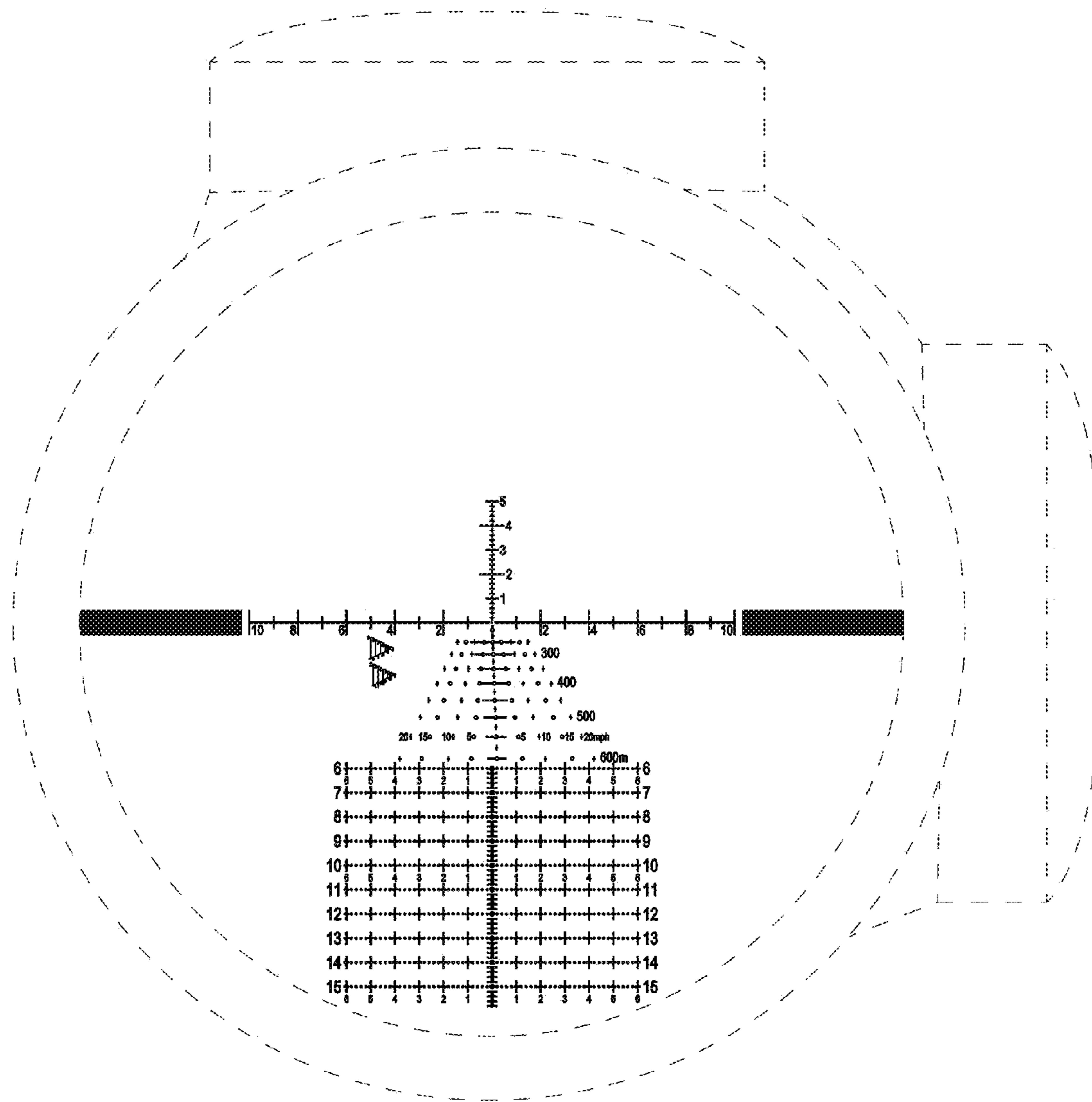


FIG. 2

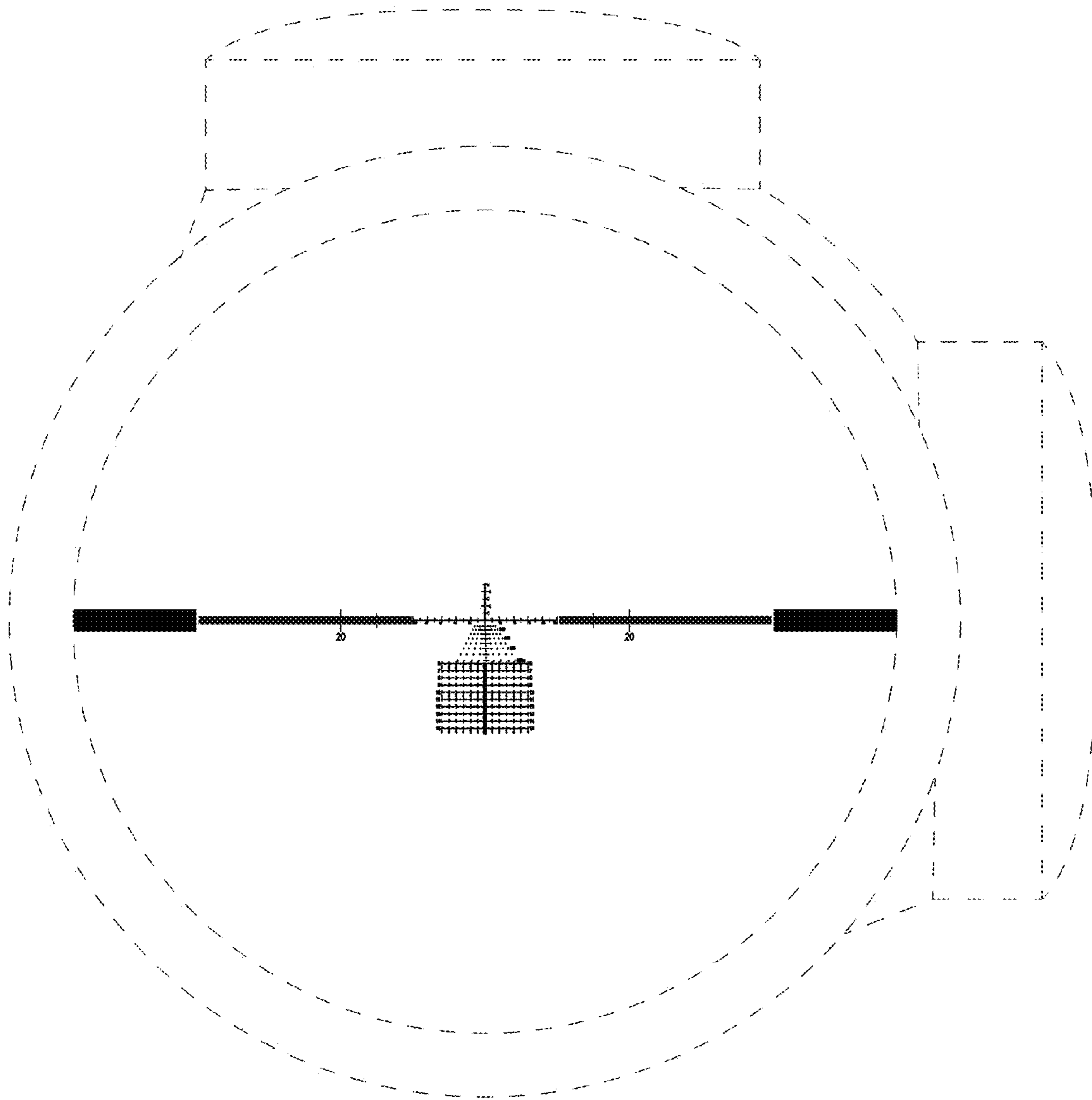


FIG. 3

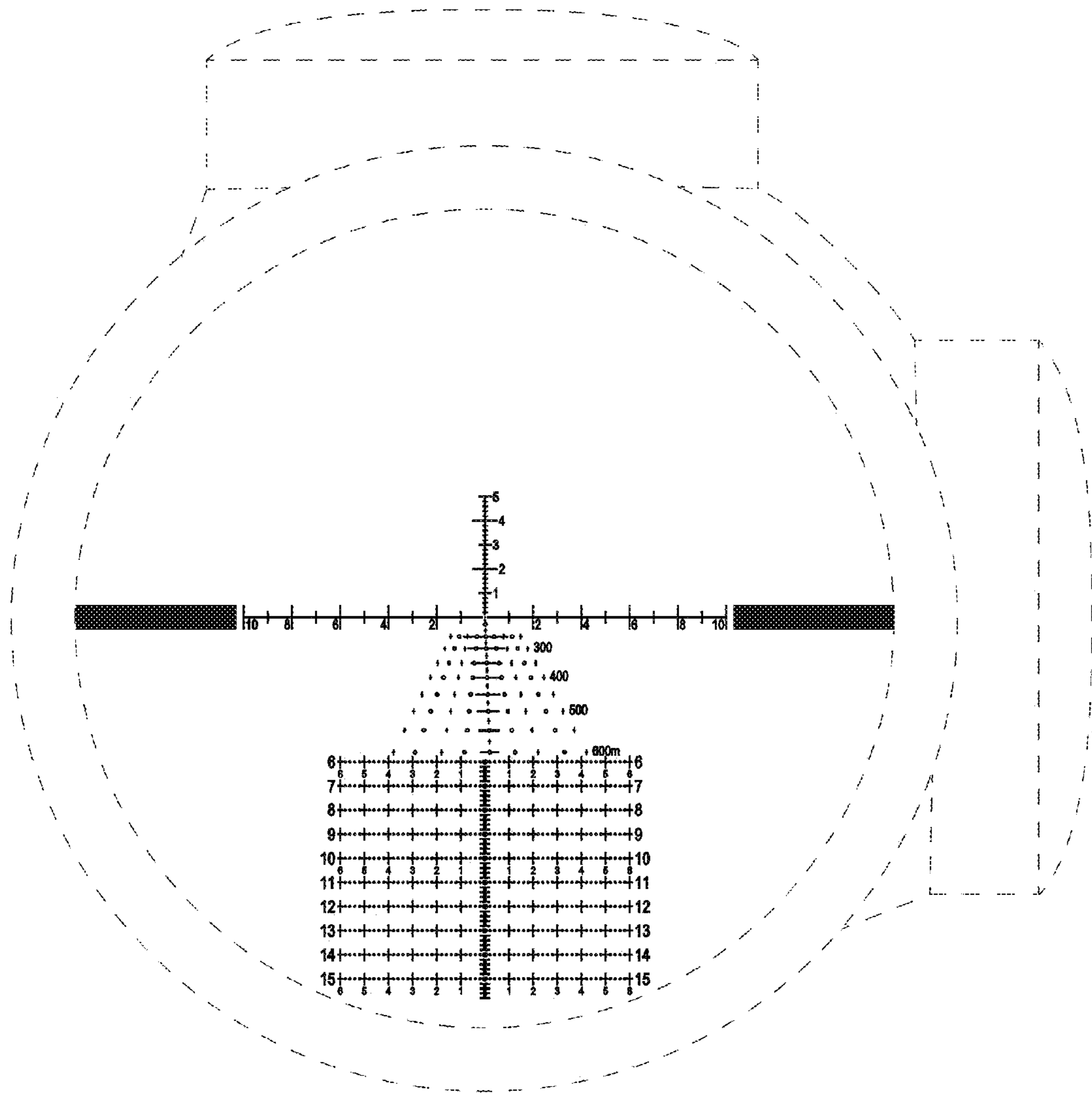


FIG. 4

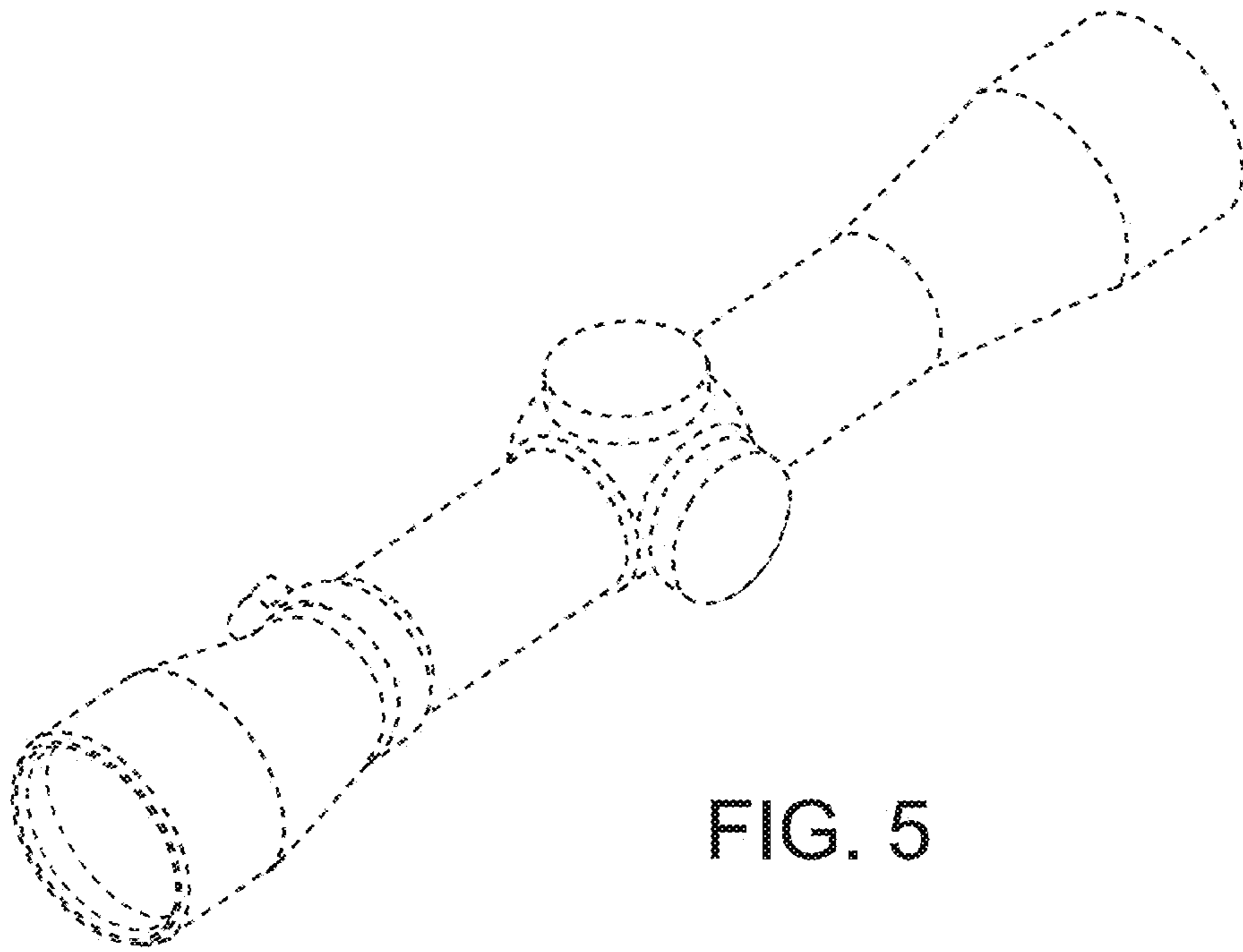


FIG. 5