



US00D704294S

(12) **United States Design Patent**
Jarboe

(10) **Patent No.:** **US D704,294 S**

(45) **Date of Patent:** **** May 6, 2014**

(54) **BUTTSTOCK**

(71) Applicant: **RA Brands, L.L.C.**, Madison, NC (US)

(72) Inventor: **M. Brent Jarboe**, Rineyville, KY (US)

(73) Assignee: **RA Brands, L.L.C.**, Madison, NC (US)

(**) Term: **14 Years**

(21) Appl. No.: **29/432,716**

(22) Filed: **Sep. 19, 2012**

(51) **LOC (10) Cl.** **22-01**

(52) **U.S. Cl.**

USPC **D22/108**

(58) **Field of Classification Search**

USPC D22/100, 101, 103, 104, 108, 199;
42/51, 90, 71.01, 71.02, 73, 75.01,
42/75.02; D21/572-573; 89/40.06, 37.04,
89/33.04

See application file for complete search history.

(56) **References Cited**

U.S. PATENT DOCUMENTS

543,138 A 7/1895 Murray
1,315,215 A 9/1909 Davidson

(Continued)

FOREIGN PATENT DOCUMENTS

CH 126420 6/1928
DE 1213303 3/1966

(Continued)

OTHER PUBLICATIONS

Paulson, A., SRT Shadow Suppressor .338, Special Weapons 2007,
pp. 60/63.

(Continued)

Primary Examiner — Michael A Pratt

(74) *Attorney, Agent, or Firm* — Womble Carlyle Sandridge
& Rice, LLP

(57) **CLAIM**

The ornamental design for a buttstock, as shown and
described.

DESCRIPTION

FIG. 1 is a rear perspective view of a buttstock in accordance
with one embodiment of the present invention;

FIG. 2 is a left elevation view of the buttstock of FIG. 1;

FIG. 3 is a right elevation view of the buttstock of FIG. 1;

FIG. 4 is a front elevation view of the buttstock of FIG. 1;

FIG. 5 is a rear elevation view of the buttstock of FIG. 1;

FIG. 6 is a top plan view of the buttstock of FIG. 1;

FIG. 7 is a bottom plan view of the buttstock of FIG. 1;

FIG. 8 is a left perspective view of the buttstock of FIG. 1;

FIG. 9 is a left, front perspective view of the buttstock of FIG.
1;

FIG. 10 is a left elevation view of the buttstock of FIG. 1;

FIG. 11 is a rear perspective view of a buttstock in accordance
with another embodiment of the present invention;

FIG. 12 is a left elevation view of the buttstock of FIG. 11;

FIG. 13 is a right elevation view of the buttstock of FIG. 11;

FIG. 14 is a front elevation view of the buttstock of FIG. 11;

FIG. 15 is a rear elevation view of the buttstock of FIG. 11;

FIG. 16 is a top plan view of the buttstock of FIG. 11;

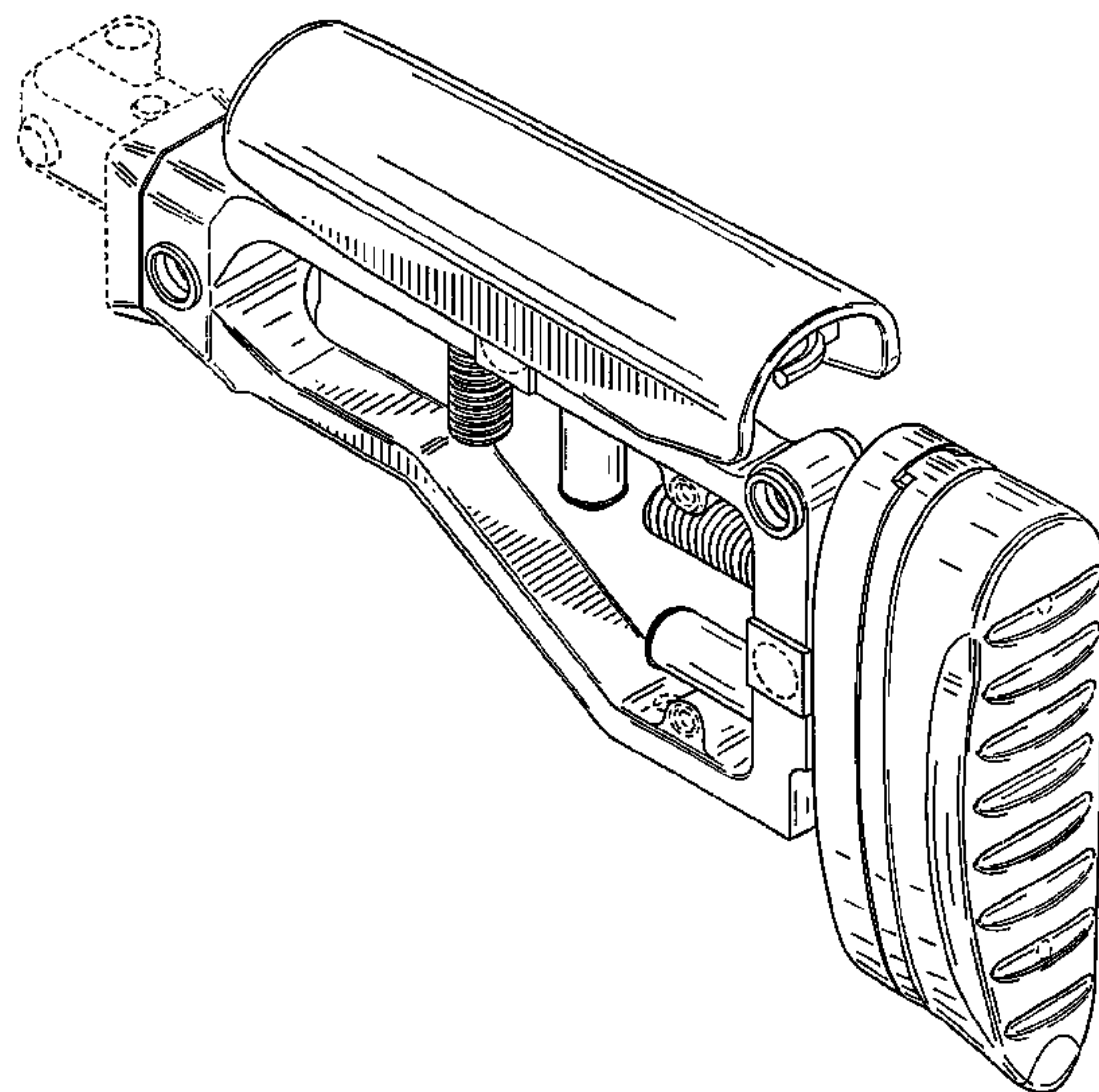
FIG. 17 is a bottom plan view of the buttstock of FIG. 11;

FIG. 18 is a left perspective view of the buttstock of FIG. 11;
and,

FIG. 19 is a left elevation view of the buttstock of FIG. 11.

The broken lines shown herein are for illustrative purposes
and form no part of the claimed design. For example, the
alternating series of long and short dashed lines shown, for
example, in FIGS. 1 and 15 encompasses an area that is not
part of the claimed design.

1 Claim, 17 Drawing Sheets



(56)

References Cited

U.S. PATENT DOCUMENTS

1,407,633 A 2/1922 Burton
 1,651,299 A 11/1927 Stansel
 D136,041 S 7/1943 Reising
 2,374,621 A 4/1945 Reising
 2,787,855 A 4/1957 Guymon
 2,895,248 A 7/1959 Sawin
 2,900,877 A 8/1959 McClenahan
 3,137,958 A 6/1964 Lewis et al.
 3,256,632 A 6/1966 Beretta
 3,267,601 A 8/1966 Roy
 3,348,328 A 10/1967 Roy
 3,369,316 A 2/1968 Miller
 3,442,042 A 5/1969 Gilbert
 3,593,452 A 7/1971 Pekarek
 3,798,819 A 3/1974 Hillberg
 3,846,928 A 11/1974 Ruger et al.
 4,058,922 A 11/1977 Elbe et al.
 4,069,414 A 1/1978 Bell
 4,098,016 A 7/1978 Foote
 4,169,329 A 10/1979 Atchisson
 4,220,071 A 9/1980 Seiderman
 4,231,177 A 11/1980 Foote
 4,327,626 A 5/1982 McQueen
 4,430,822 A 2/1984 Fromming et al.
 4,515,064 A 5/1985 Hohrein
 4,735,007 A 4/1988 Gal
 4,766,800 A 8/1988 Miller et al.
 4,788,785 A 12/1988 White
 5,046,275 A 9/1991 Brown
 5,173,564 A 12/1992 Hammond, Jr.
 5,209,215 A 5/1993 Morrison
 5,228,887 A 7/1993 Mayer
 5,305,539 A 4/1994 Von Kuster
 5,343,650 A 9/1994 Swan
 5,367,812 A 11/1994 Lautrec
 5,410,834 A 5/1995 Benton et al.
 5,557,872 A 9/1996 Langner
 D382,037 S * 8/1997 Scott et al. D22/108
 5,711,102 A 1/1998 Plaster et al.
 5,778,588 A 7/1998 Allen, III et al.
 5,827,992 A 10/1998 Harris et al.
 5,900,577 A 5/1999 Robinson et al.
 5,933,997 A 8/1999 Barrett
 5,970,642 A 10/1999 Martin
 6,070,352 A 6/2000 Daigle
 6,374,528 B1 4/2002 Davis et al.
 6,490,822 B1 12/2002 Swan
 6,499,245 B1 12/2002 Swan
 6,560,911 B2 5/2003 Sharp
 6,591,533 B2 7/2003 Wygant
 6,637,142 B1 * 10/2003 Reynolds 42/75.03
 6,651,371 B2 11/2003 Fitzpatrick et al.
 6,688,031 B2 2/2004 Steele
 6,732,465 B2 5/2004 Strayer
 6,792,711 B2 9/2004 Battaglia
 6,854,206 B2 2/2005 Oz
 6,874,267 B2 4/2005 Fitzpatrick et al.
 6,895,708 B2 5/2005 Kim et al.
 6,901,691 B1 6/2005 Little
 6,925,744 B2 8/2005 Kincel
 7,121,035 B2 10/2006 Greer
 7,152,355 B2 12/2006 Fitzpatrick et al.
 7,287,456 B2 10/2007 Spielberg
 D567,895 S * 4/2008 Cauley D22/108
 7,377,066 B2 5/2008 Moore
 7,418,797 B1 9/2008 Crose
 7,458,179 B2 12/2008 Swan
 D590,473 S 4/2009 Fitzpatrick et al.
 7,520,083 B2 4/2009 Dextraze
 7,523,580 B1 4/2009 Tankersley
 D593,633 S 6/2009 Fitzpatrick et al.
 D593,634 S 6/2009 Fitzpatrick et al.
 D593,635 S 6/2009 Fitzpatrick et al.
 D594,083 S 6/2009 Mayberry et al.
 D594,084 S 6/2009 Mayberry et al.

7,552,557 B1 6/2009 Mabry
 D598,971 S 8/2009 Peterson et al.
 7,574,823 B2 8/2009 Nakayama
 D600,303 S 9/2009 Fitzpatrick et al.
 D600,304 S 9/2009 Fitzpatrick et al.
 D600,305 S 9/2009 Fitzpatrick et al.
 D600,306 S 9/2009 Fitzpatrick et al.
 D600,307 S 9/2009 Fitzpatrick et al.
 D600,308 S 9/2009 Fitzpatrick et al.
 D600,309 S 9/2009 Fitzpatrick et al.
 D600,310 S 9/2009 Fitzpatrick et al.
 D600,771 S 9/2009 Fitzpatrick et al.
 7,584,567 B1 9/2009 DeSomma et al.
 7,640,688 B2 1/2010 Oz
 7,673,412 B2 3/2010 Griffin
 D613,361 S 4/2010 Peterson et al.
 D613,812 S 4/2010 Peterson et al.
 7,698,848 B1 4/2010 Bentley
 7,726,060 B1 * 6/2010 Jones 42/75.02
 7,762,018 B1 7/2010 Fitzpatrick et al.
 7,775,150 B2 8/2010 Hochstrate et al.
 D623,718 S 9/2010 Peterson et al.
 7,802,392 B2 * 9/2010 Peterson et al. 42/75.03
 7,827,721 B2 11/2010 Griffin
 7,845,105 B1 12/2010 Cahill
 7,870,689 B2 1/2011 Dextraze
 D634,388 S * 3/2011 Peterson et al. D22/108
 D636,833 S * 4/2011 Mayberry et al. D22/108
 7,930,849 B2 4/2011 Abraham et al.
 7,984,580 B1 7/2011 Giauque et al.
 7,987,623 B1 8/2011 Moody et al.
 D645,533 S * 9/2011 Peterson et al. D22/108
 8,028,440 B2 10/2011 Williams
 8,028,459 B2 10/2011 Williams
 8,028,460 B2 10/2011 Williams
 8,051,594 B2 11/2011 Carr et al.
 8,061,072 B1 11/2011 Crose
 D662,167 S * 6/2012 Juarez D22/103
 8,434,252 B2 * 5/2013 Holmberg 42/1.06
 2004/0000083 A1 1/2004 Grant, Jr.
 2005/0262752 A1 12/2005 Robinson et al.
 2006/0026883 A1 2/2006 Hochstrate et al.
 2006/0162217 A1 7/2006 Longueira
 2006/0236582 A1 10/2006 Lewis et al.
 2006/0242880 A1 11/2006 Griffin
 2007/0199225 A1 8/2007 Haugen
 2007/0236790 A1 10/2007 Turienzo et al.
 2008/0000134 A1 1/2008 Peterson
 2008/0028662 A1 2/2008 Abraham et al.
 2008/0092423 A1 4/2008 Keng
 2008/0168695 A1 7/2008 Nakayama
 2008/0236016 A1 10/2008 Fitzpatrick et al.
 2008/0236017 A1 10/2008 Fitzpatrick et al.
 2009/0038198 A1 2/2009 Yu
 2009/0101776 A1 4/2009 Peterson et al.
 2009/0107022 A1 4/2009 Fitzpatrick et al.
 2009/0241397 A1 10/2009 Fitzpatrick et al.
 2009/0277066 A1 11/2009 Burt et al.
 2009/0288324 A1 11/2009 Peterson et al.
 2010/0037505 A1 2/2010 Romer
 2010/0180485 A1 7/2010 Cabahug et al.
 2010/0192446 A1 8/2010 Darian
 2010/0212205 A1 8/2010 Nill
 2010/0212206 A1 8/2010 Griffin
 2010/0287809 A1 11/2010 Williams
 2011/0061284 A1 3/2011 Cabahug et al.
 2011/0099876 A1 5/2011 Bentley
 2011/0173863 A1 7/2011 Ingram
 2011/0214328 A1 9/2011 Williams
 2011/0283584 A1 11/2011 Walters
 2012/0079752 A1 * 4/2012 Peterson et al. 42/75.02
 2012/0159828 A1 6/2012 Jarboe et al.

FOREIGN PATENT DOCUMENTS

DE 3743092 7/1988
 DE 68 907 869 2/1994
 DE 1225517 9/1996
 DE 102007034669 1/2009

(56)

References Cited

FOREIGN PATENT DOCUMENTS

EP	0063100	10/1982
EP	1206472	8/2000
FR	419981	1/1911
GB	620188	3/1948
GB	628732	9/1949
GB	937941	4/1962
WO	WO 90/10841	9/1990
WO	WO 99/05467	2/1999
WO	WO 2005/078374	8/2005
WO	WO 2008/105960	9/2008
WO	WO 2009/061546	5/2009
WO	WO 2010-141428	12/2010

OTHER PUBLICATIONS

Exclusive worldwide license agreements, Feb. 2010, pages cover—7, ActionSportGames A/S, Denmark.

Prosecution file history for U.S. Appl. No. 61/100,788, filed Sep. 29, 2008.

Technical Specification of APR308 Sniper System, Feb. 2, 2007, 24 pages, Brügger+Thomet, Switzerland.

Gander, T., Unmatched Design, Jane's Infantry Weapons, 1997/98, pp. 146/147, 154/157, 186/187, 194/195, 212/213, Twenty-third Edition, Jane's Information Group Inc., Alexandria, VA.

AE Users Manual, pp. 1/27, Accuracy International North America, Oak Ridge, TN.

AW50 Anti Material Sniper Rifle 0.50 Calibre & Telescopic Sight SuB 3/12x50 MKII 0.2 MRAD, pp. cover/46, Issue 3, Accuracy International North America, Oak Ridge, TN 2003.

Model AW Sniper 7.62x51 Sniper Rifle Users Manual, pages cover—29, Accuracy International Limited, Hampshire, England.

Operator's Manual Long Range Sniper Rifle (LRSR), May 2004, pages cover, a/d, A/B, i/vi, 001 00/1—Index, CHQSoftware.com, Headquarters, Department of the Army.

PGM Precision catalogue, 2007, 18 pages, PGM Precision, Poisy Cedex, France.

Draft Performance Specification: Precision Sniper Rifle, Jun. 11, 2009, pp. 1-32, H92222/09/PSR.

Long Range Precision Rifles, Oct. 4, 2010, 1 page, FNH USA, Inc., http://web.archive.org/web/20031204162037/www.fnhusa.com/contents/r_pgm_6.htm.

A.M.S. Design Nemesis Bolt/Action .50 BMG Rifle, Oct. 4, 2010, 2 pages, Granite Arms, <http://web.archive.org/web/20070829231846/http://www.granitearms.com/Nemesis/50BM> and also <http://www.granitearms.com/Nemesis/50BMG.htm>.

Crane, D., LaRue Tactical Stealth OSR (Optimized Sniper Rifle) 7.62mm Sniper Carbine/Rifle, Rifles and Carbines, Nov. 23, 2008, http://www.defensereview.com/larue/tactical/stealth/osr/optimized/sniper/rifle/762mm/sniper/carbine_rifle/.

Operator's Manual .50 Caliber Rifle M82A1, pages cover—33, Barrett Firearms Manufacturing, Inc., Murfreesboro, TN.

A.M.S.D. Sniper Rifle, Jun. 18, 2004, pp. 1/6 through 6/6, Advanced Military System Design, Geneva, Switzerland.

A.M.S.D. Sniper Rifle, Apr. 21, 2006, pp. 1/6 through 6/6, Advanced Military System Design, Geneva, Switzerland.

OM 50 Owner's manual, pp. 1-17, A.M.S.D., Geneva, Switzerland Dec. 31, 2004.

Sniper Rifles, 2 pages.

Ultima Ratio Cal. 7.62x51 NATO, 2005, 2 pages, PGM Precision, Poisy Cedex, France.

FN Herstal—PGM 338 User Manual: 338 Lapua Magnum, Nov. 15, 2002, 16 pages, UME/PGM338.doc, PGM Precision, Poisy Cedex, France.

FN Herstal—PGM 338 User Manual: 338 Lapua Magnum, Oct. 14, 2002, 16 pages, UME/PGM338/FNH.doc, FN Herstal.

FN Herstal PGM Hecate II Manuel de l'Utilisateur: 50 BMG—12.7x99mm, 18 pages, UMF/FN/HECATE/II.doc, FN Herstal Jan. 11, 2002.

PGM Hecate II Manuel de l'Utilisateur: 50 BMG—12.7x99mm, 18 pages, UMF/PGM/HECATE/II.doc, PGM Precision, Poisy Cedex, France Jan. 11, 2002.

PGM Hecate II Benützer/Handbuch: .50BMG—12.7x99mm, 18 pages, UMG/PGM/HECATE/II.doc, PGM Precision, Poisy Cedex, France Jan. 11, 2002.

Hecate II User Manual, pages cover—28, Version 2.0, PGM Precision, Poisy Cedex, France.

Hecate II User Manual, pages cover—28, Version 2.2, PGM Precision, Poisy Cedex, France.

PGM .338 LM User Manual, pages cover—24, Version 2.2, PGM Precision, Poisy Cedex, France.

Ultima Ratio User Manual, pages cover—26, Version 2.0, PGM Precision, Poisy Cedex, France.

Ultima Ratio User Manual, pages cover—26, Version 2.2, PGM Precision, Poisy Cedex, France.

AW338 Sniper Rifle L96 gas Star—Wolf armouries.co.uk.

Bolt/Action Rifles of the 20th Century, Rick Jamison, Shooting Times (Jan. 2000), 2 pages.

Photographs: Shot Show Exhibit of Folding Stock Firearm (2008 Shot Show), 5 pages.

Adelmann, S., An AE for Accuracy, Shooting Illustrated: Guns and Hunting, pp. 1/4 (Accuracy International 2009).

International Search Report and Written Opinion for PCT/US2010/036838 (Nov. 19, 2010) 27 pages.

Marstar Canada: IMI Galil Galatz Sniper Rifle (Prohibited 12(5)) (Marstar Classic Collectibles) (2007), 3 pages.

Hanlon, M., The Best .338 Sniper Rifle in the World (Gomag's RSS Feed—Nov. 26, 2008).

Photograph: Nemesis Rifle, 3 pages.

Hogg, I., The World's Sniping Rifles with Sighting Systems and Ammunition (Greenhill Books, London—Stackpole Books, PA 1998), 12 pages.

Cumpston, M., 21st Century Hunting Rifle, Guns Magazine, May 9, 2012, <<http://www.gunsmagazine.com/21st-century-hunting-rifle/>>.

Gottfredson, J., More than just steel plates: LaRue Tactical's Stealth Sniper AR-15, Guns Magazine, Aug. 2010, 3 pages, <<http://fmgpublishings.ipaperus.com/FMGPublications/GUNS/GUNS0810/?Page=30>>.

S.H.O.T. Mission Gear Spotlight, Tactical Weapons, May 2009, pages cover, 88-89, issue #64, Harris Outdoor Group.

Hot Picks from 2009 Shot Show, Guns & Weapons for Law Enforcement, May 2009, 3 pages.

Beckstrand, Tom, SOCOM PSR Contenders, Tactical Weapons, Jul. 2009, pages cover, 56-58, 60, 62, issue #68, Harris Outdoor Group.

Trapp, Cory, Ashbury TCR .300 Win Mag, Special Weapons for Military & Police, Apr. 2010, pages cover, 5-10, issue #87.

Trapp, Cory, Asymmetric Warrior: .338 Lapua Mag, Special Weapons for Military & Police, Aug. 2009, pages cover, 5-10, 94-95 issue #77.

“Zweibein im Vorderschaft verschiebbar”; DWJ Deutsches Waffen Journal; pp. 878-879; vol. 30, No. 6, Jun. 1, 1994.

International Search Report dated Nov. 25, 2013 for International Application No. PCT/US2013/056467 filed Aug. 23, 2013.

Written Opinion dated Nov. 25, 2013 for International Application No. PCT/US2013/056467 filed Aug. 23, 2013.

* cited by examiner

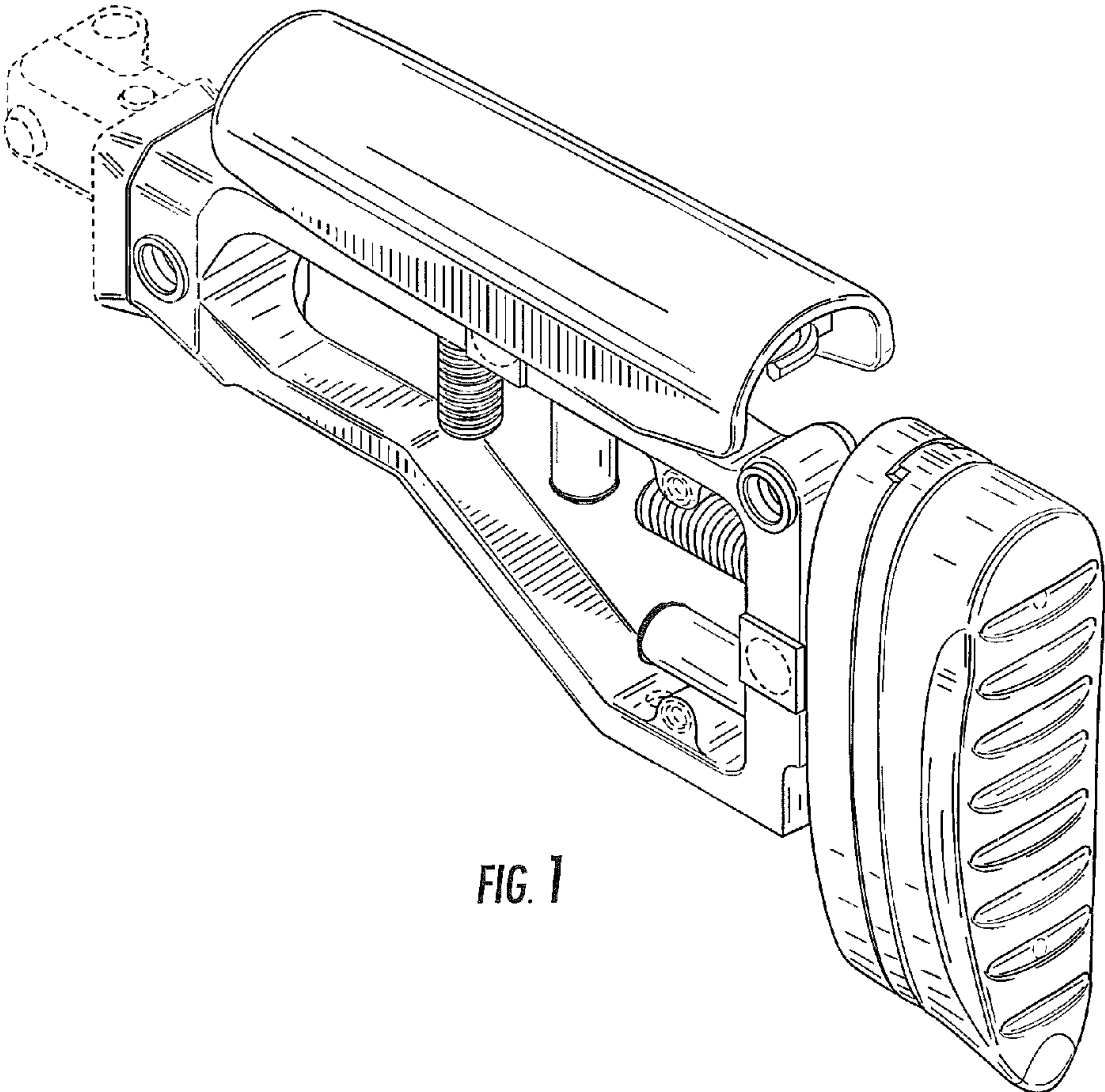


FIG. 1

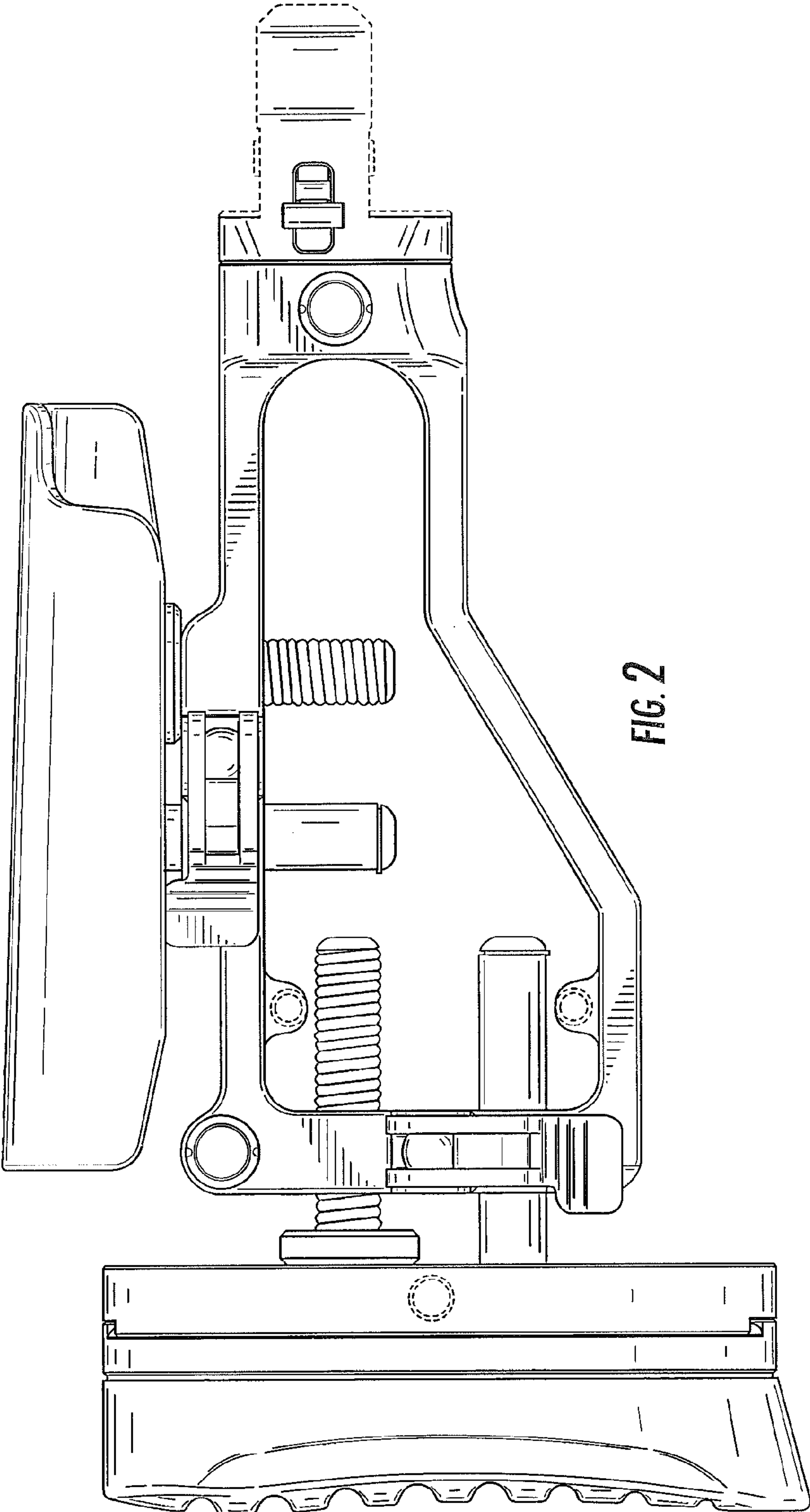


FIG. 2

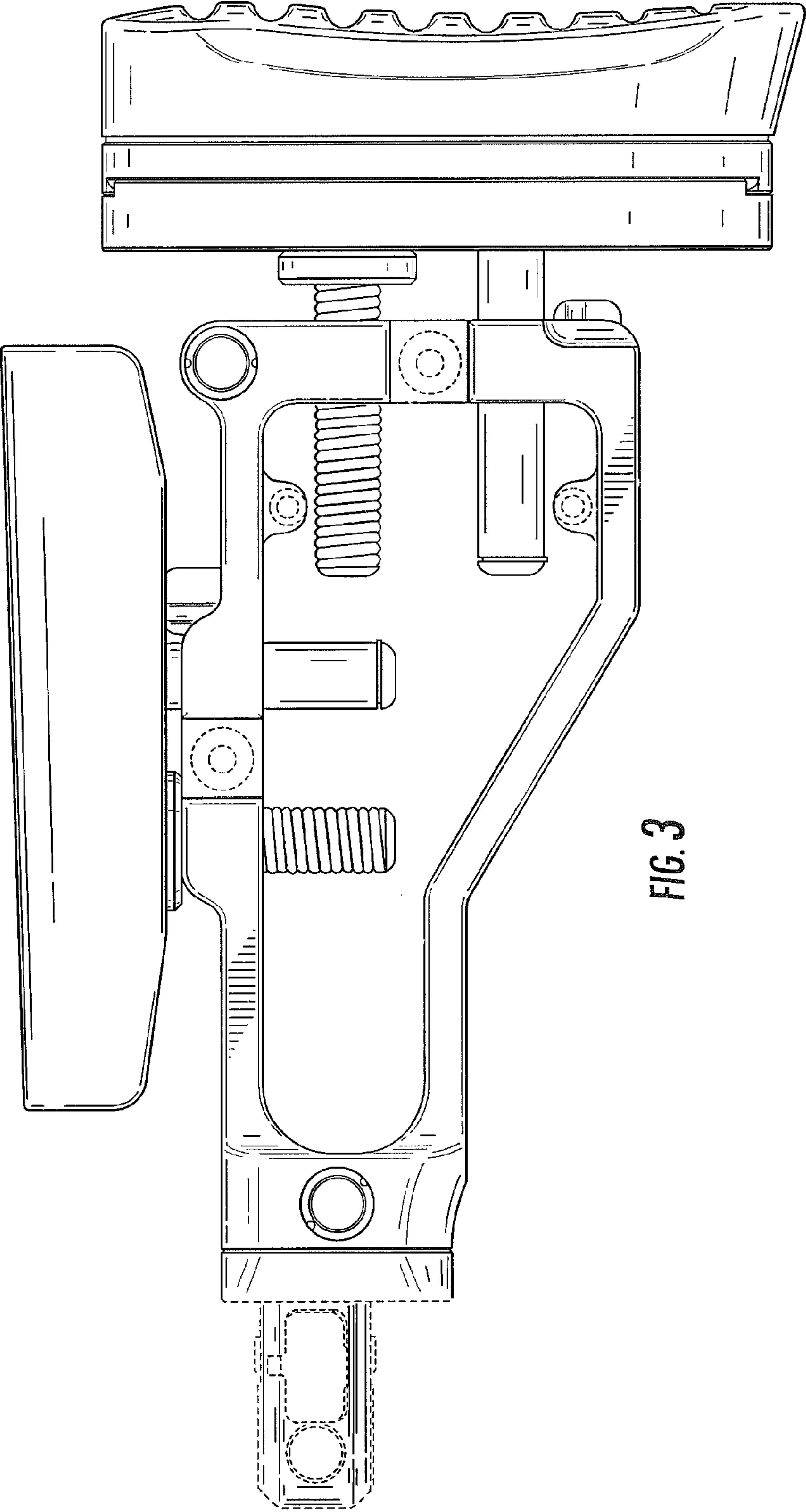


FIG. 3

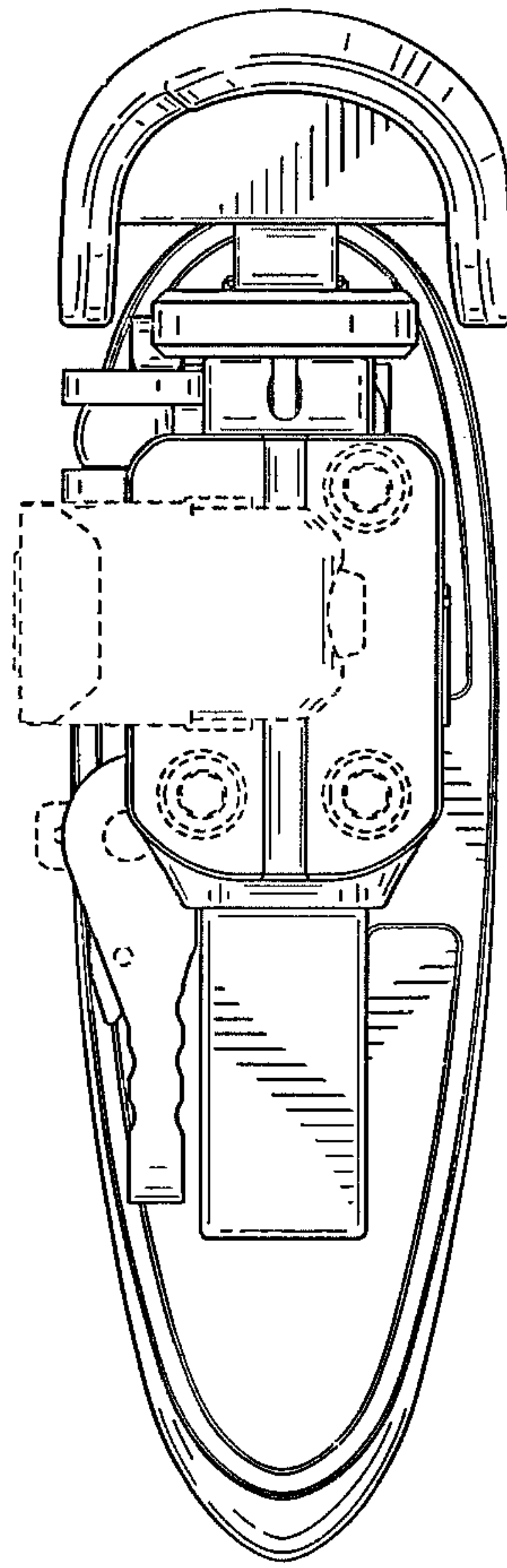


FIG. 4

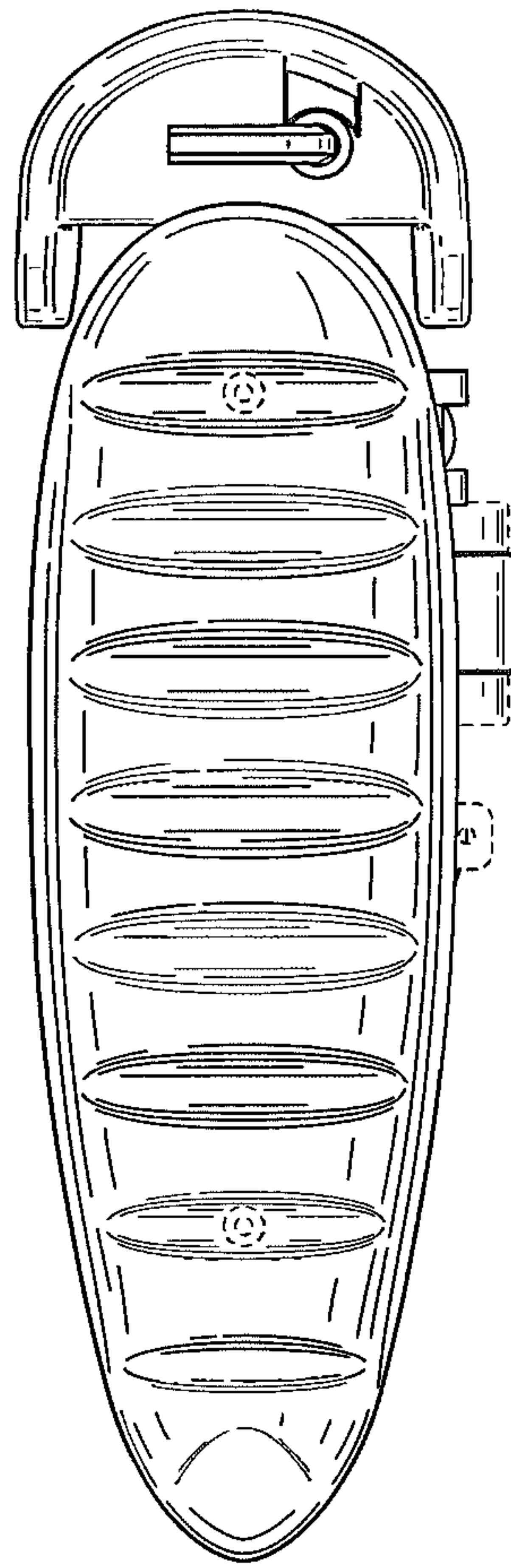


FIG. 5

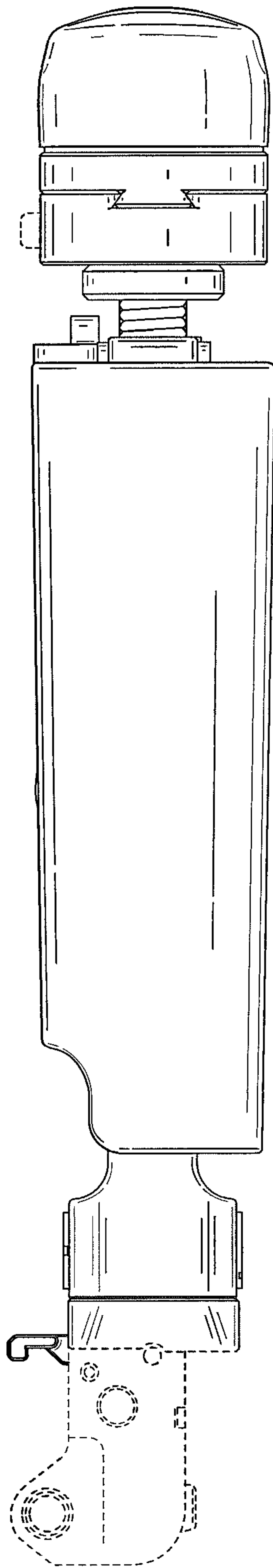


FIG. 6

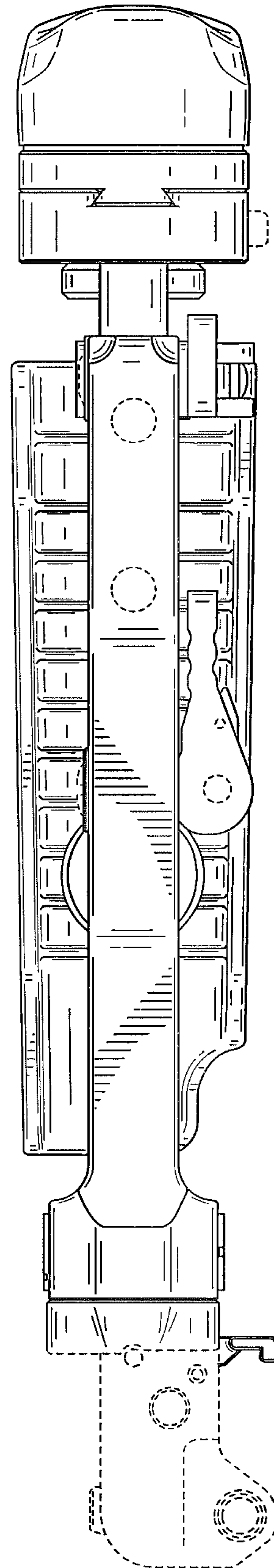


FIG. 7

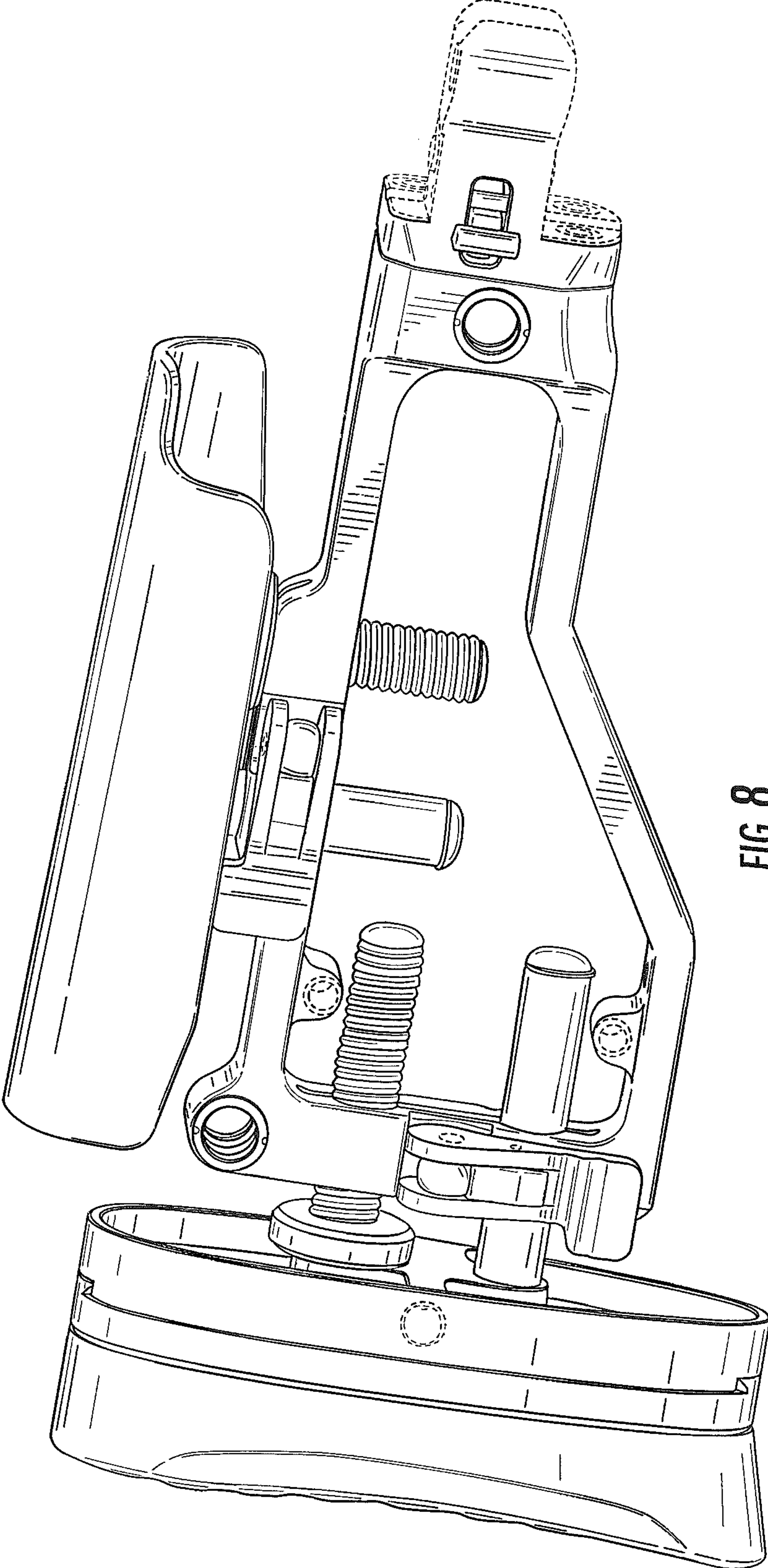


FIG. 8

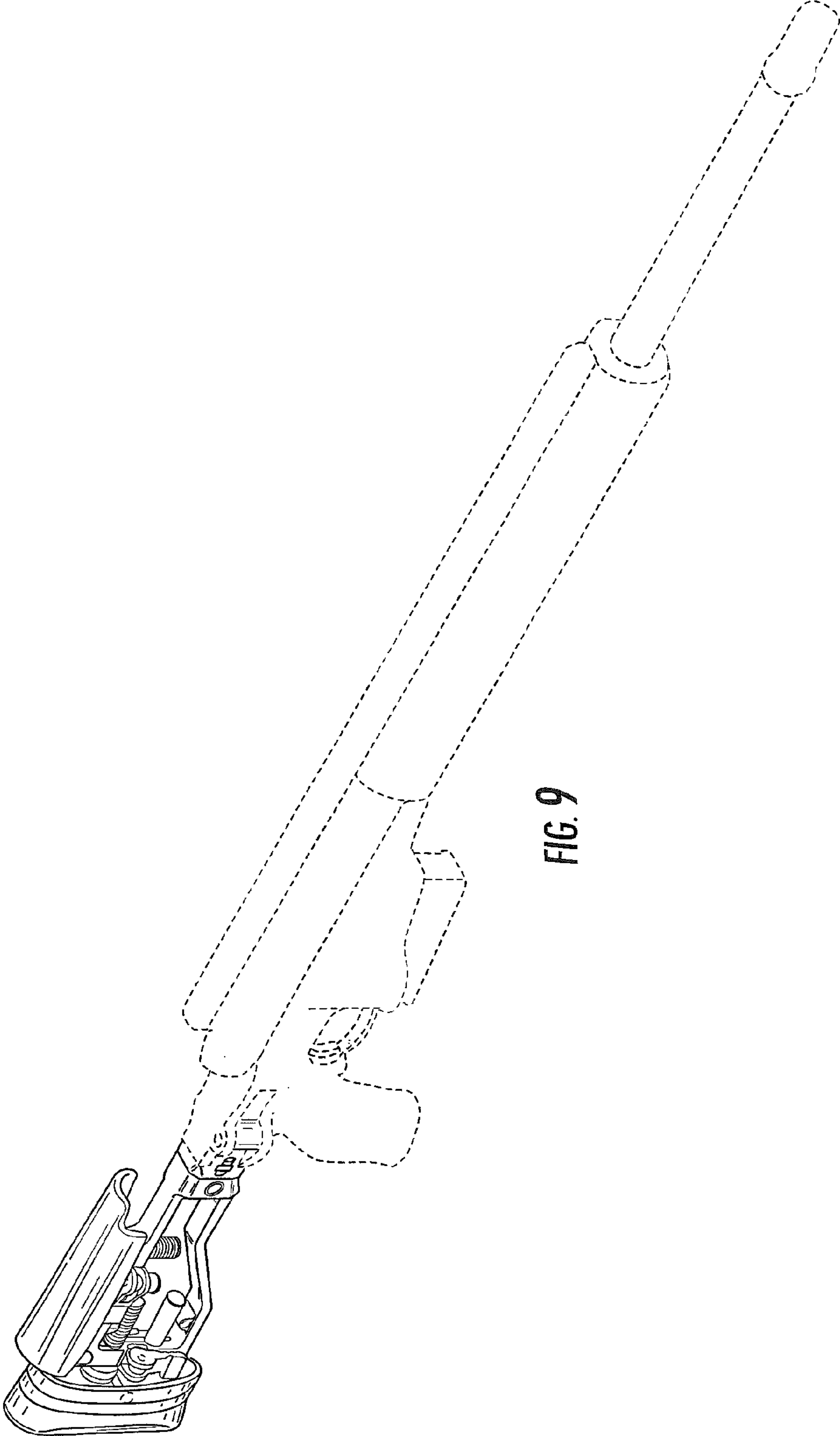
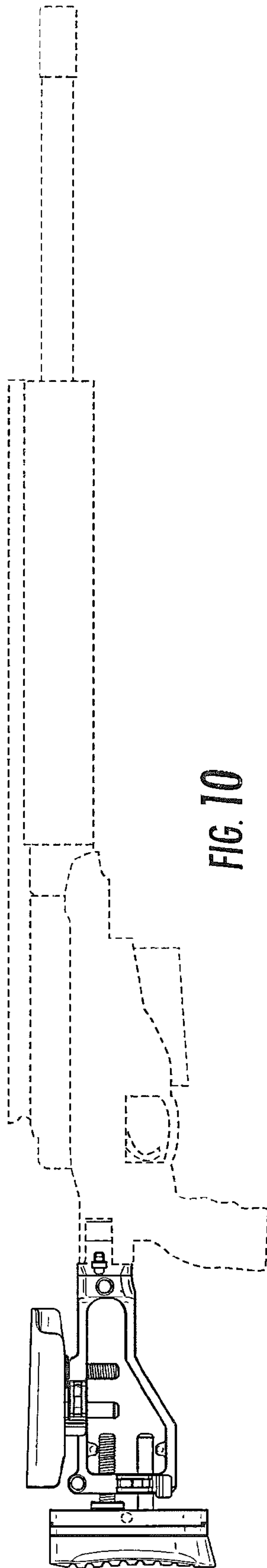


FIG. 9



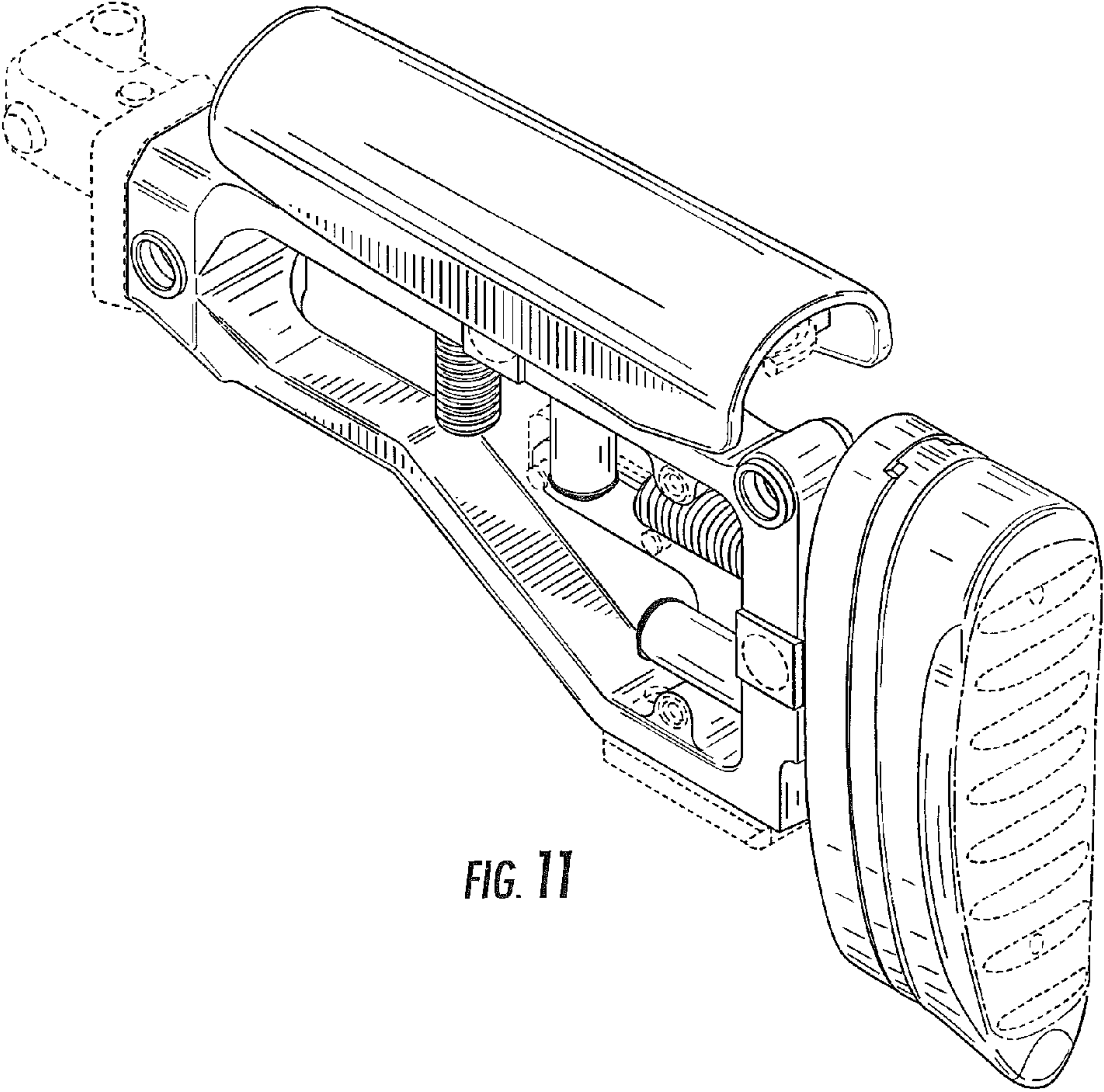
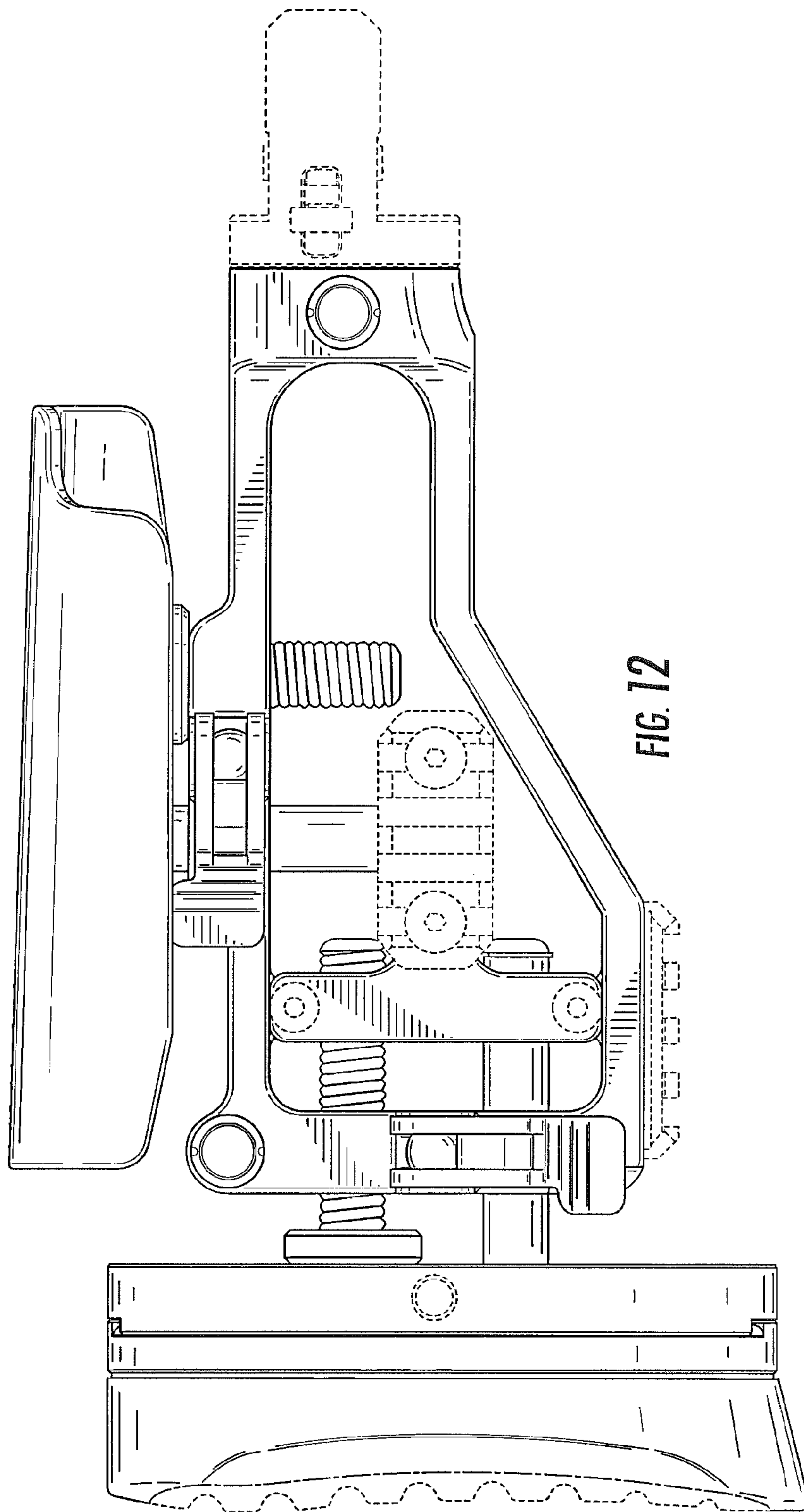


FIG. 11



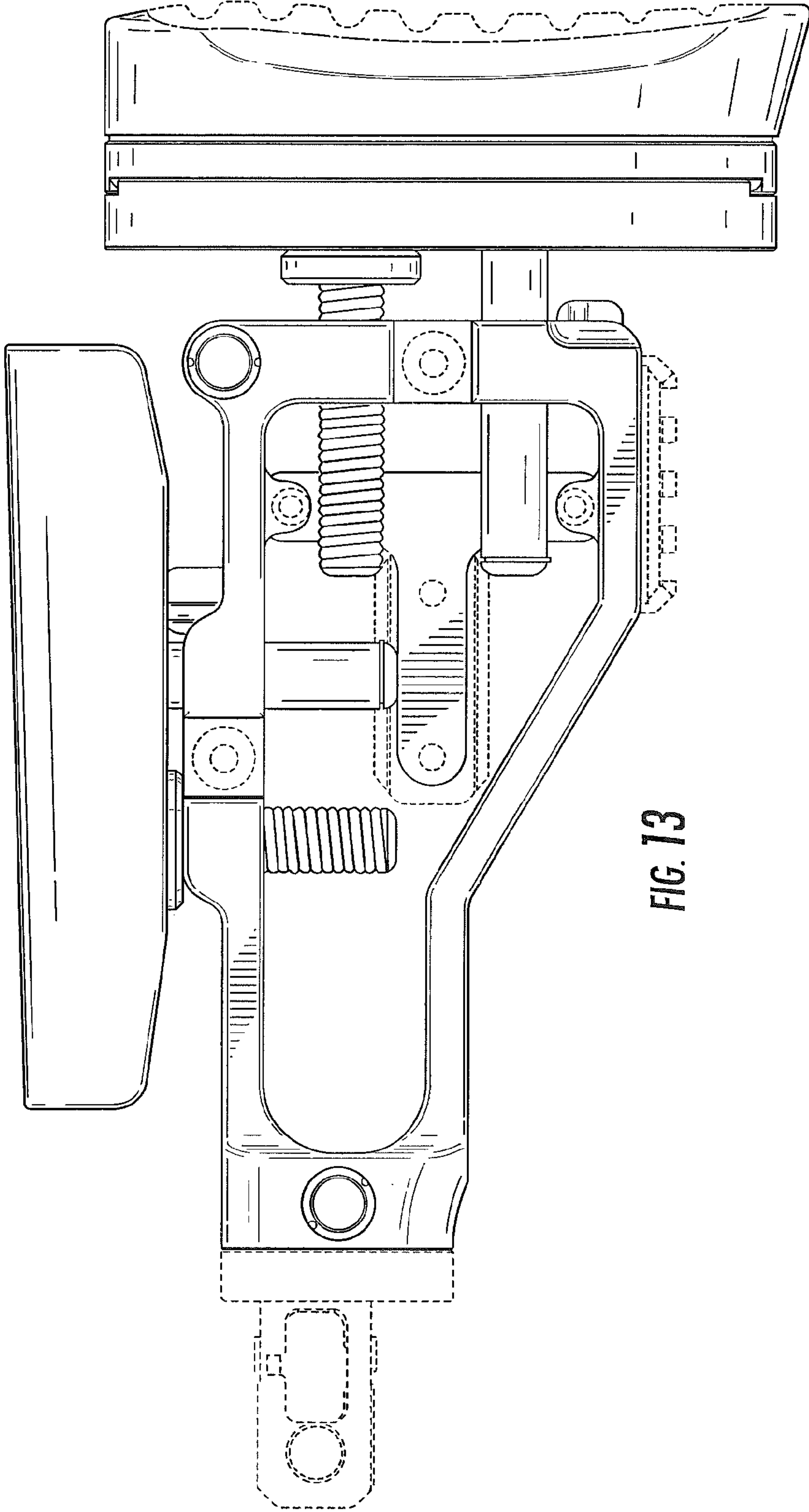


FIG. 13

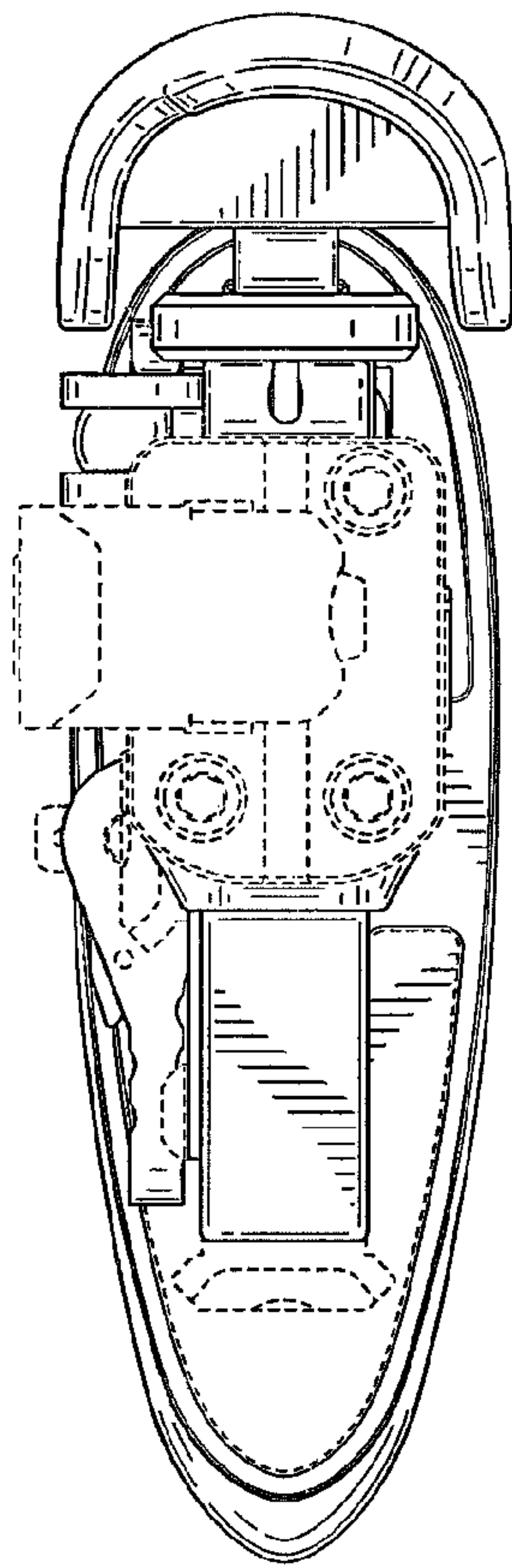


FIG. 14

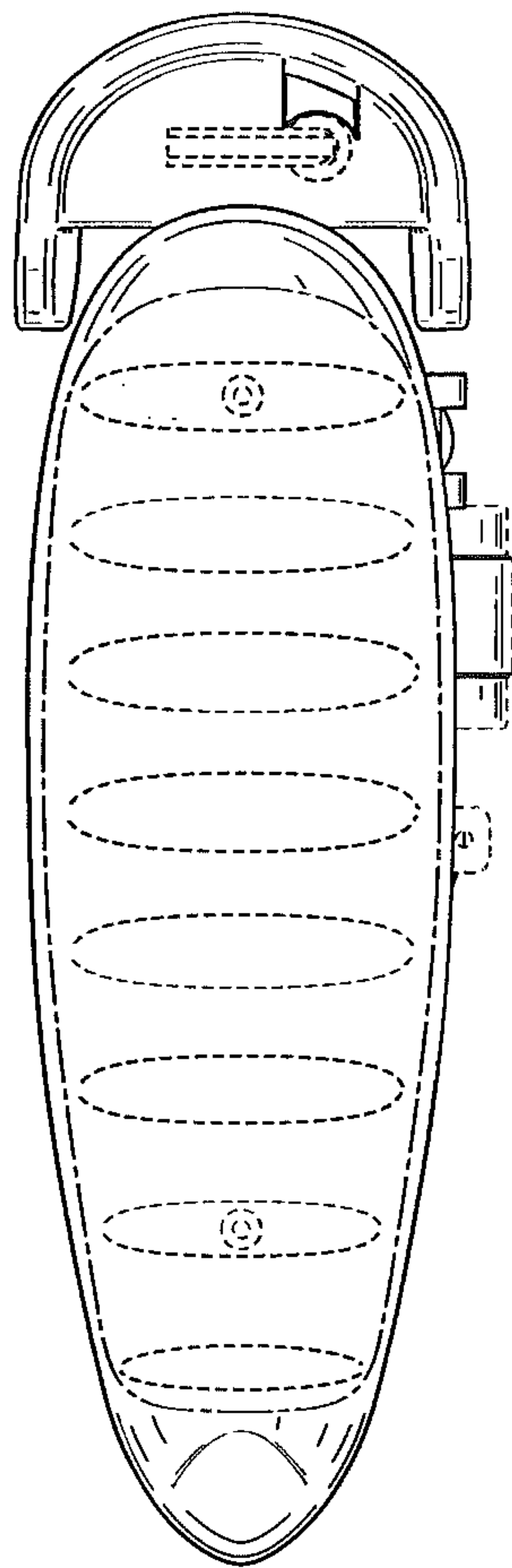


FIG. 15

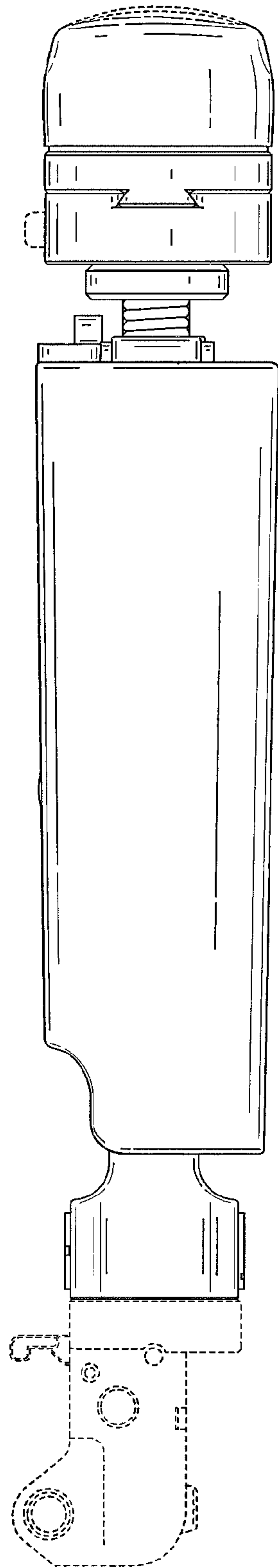


FIG. 16

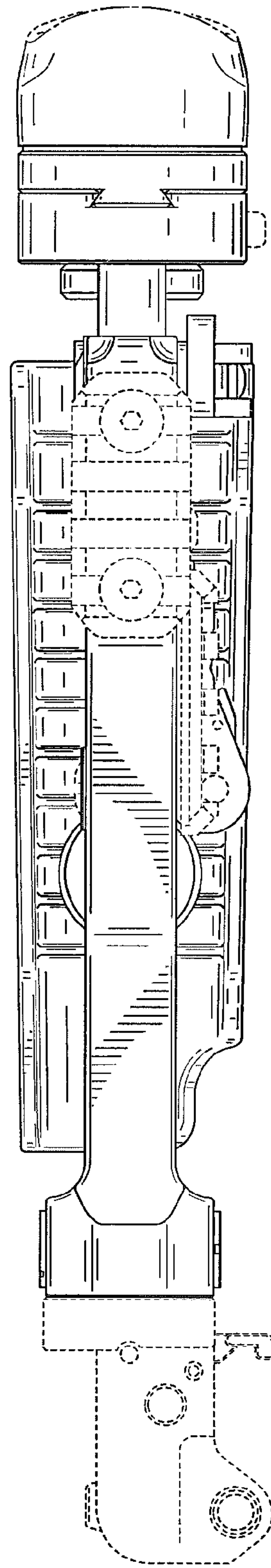


FIG. 17

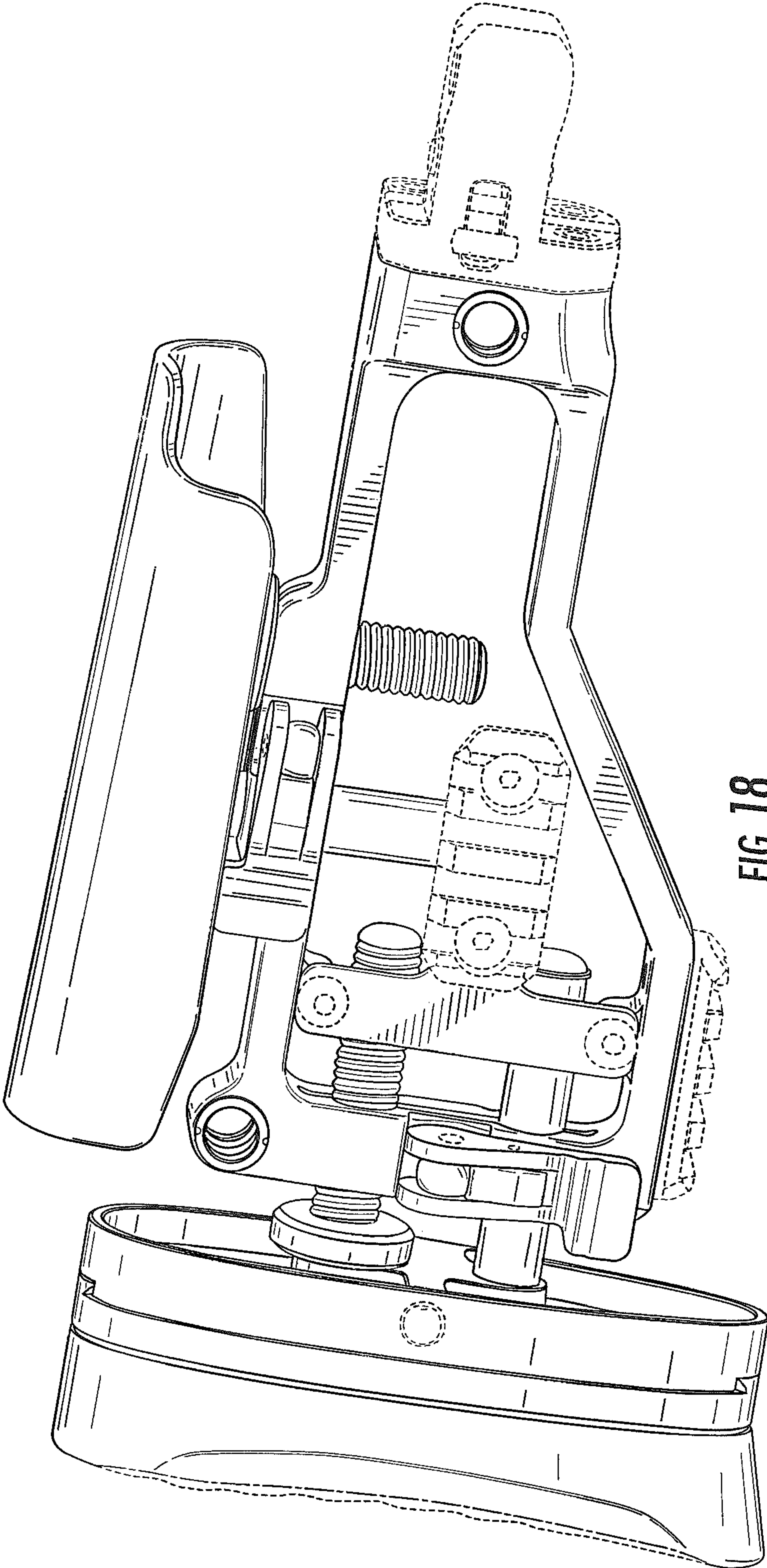


FIG. 18

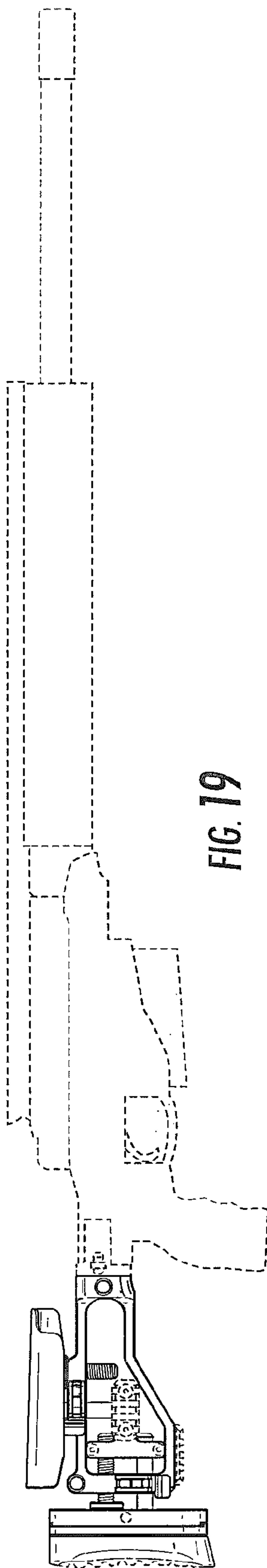


FIG. 19