



US00D704290S

(12) **United States Design Patent**
Cardani et al.

(10) **Patent No.:** **US D704,290 S**

(45) **Date of Patent:** **** May 6, 2014**

(54) **GOLF CLUB HEAD**

(71) Applicant: **NIKE, Inc.**, Beaverton, OR (US)

(72) Inventors: **Jason Cardani**, Portland, OR (US);
Michael Prichard, Portland, OR (US);
Andrew Oldknow, Beaverton, OR (US)

(73) Assignee: **NIKE, Inc.**, Beaverton, OR (US)

(**) Term: **14 Years**

(21) Appl. No.: **29/465,775**

(22) Filed: **Aug. 30, 2013**

(51) **LOC (10) Cl.** **21-02**

(52) **U.S. Cl.**
USPC **D21/759**

(58) **Field of Classification Search**
USPC D21/747-751, 759; 473/324-331, 350
See application file for complete search history.

(56) **References Cited**

U.S. PATENT DOCUMENTS

D456,056 S	4/2002	Bakke	
D464,387 S	10/2002	Rollinson et al.	
D572,781 S	7/2008	Kim et al.	
D588,667 S	3/2009	Oldknow	
D593,627 S	6/2009	Kim et al.	
D598,967 S *	8/2009	Kim et al.	D21/747
D598,968 S *	8/2009	Wieland	D21/747
D618,293 S *	6/2010	Foster et al.	D21/747
D618,743 S	6/2010	Roach et al.	
D629,059 S *	12/2010	Foster	D21/747
D631,110 S *	1/2011	Kim et al.	D21/747
D639,880 S	6/2011	Roach et al.	
D652,093 S *	1/2012	Foster	D21/747
D670,775 S	11/2012	Jertson et al.	
D682,961 S	5/2013	Llewellyn et al.	
D685,044 S	6/2013	Oldknow et al.	
D685,045 S	6/2013	Oldknow et al.	
D685,046 S	6/2013	Oldknow et al.	

OTHER PUBLICATIONS

- Nike Golf Catalog, Golfsmith Clubmaking 2001, p. 49, published 2001.
- Nike Golf Catalog, Edwin Watts Golf Summer 2002, p. 17, published 2002.
- Nike Golf Catalog, Edwin Watts Golf Jan. 2003, p. 21, published 2002.
- Nike Golf Catalog, Edwin Watts Golf Summer 2003, p. 51, published 2003.
- Nike Golf Catalog, Edwin Watts Golf Late Summer 2003, p. 26, published 2003.
- Nike Golf Catalog, Edwin Watts Golf Late Summer 2003, p. 28, published 2003.
- Nike Golf Catalog, Edwin Watts Golf Father's Day 2003, p. 19, published 2003.
- Nike Golf Catalog, Edwin Watts Golf Jan. 2004, p. 57, published 2003.
- Nike Golf Catalog, Edwin Watts Golf Holiday 2010, p. 2, published 2010.
- Nike Golf Catalog, Edwin Watts Golf Holiday 2010, p. 10, published 2010.

* cited by examiner

Primary Examiner — Mitchell Siegel

(74) *Attorney, Agent, or Firm* — Banner & Witcoff, Ltd.

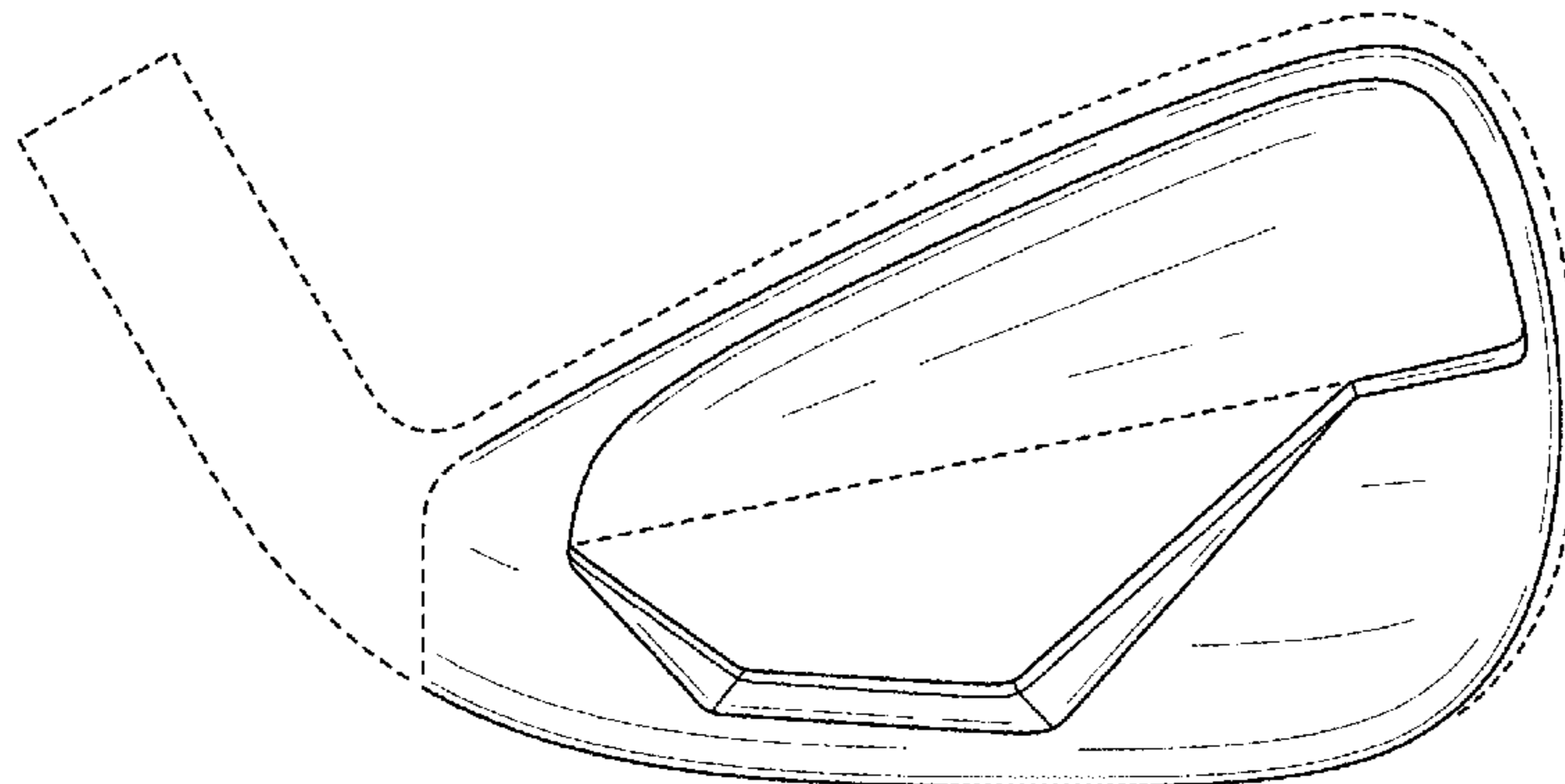
(57) **CLAIM**

The ornamental design for a golf club head, as shown and described.

DESCRIPTION

FIG. 1 is a toe-end perspective view of a golf club head showing my new design;
 FIG. 2 is a rear view thereof; and,
 FIG. 3 is a heel-end perspective view thereof.
 The broken lines immediately adjacent to the shaded area represent unclaimed boundaries of the design. The unshaded regions form no part of the claimed design. The broken lines showing the remainder of the golf club head are for environmental purposes only and form no part of the claimed design.

1 Claim, 3 Drawing Sheets



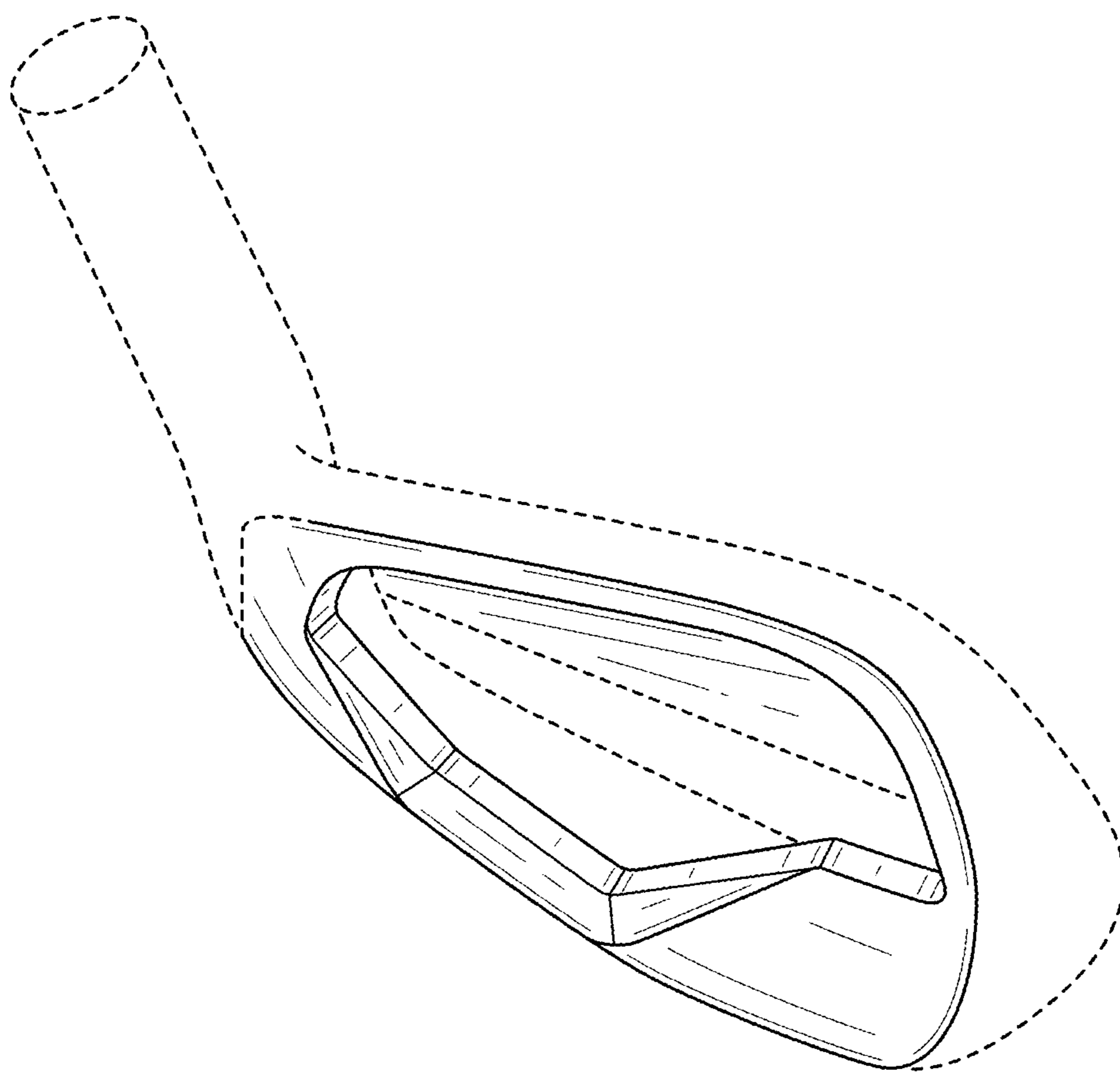


FIG. 1

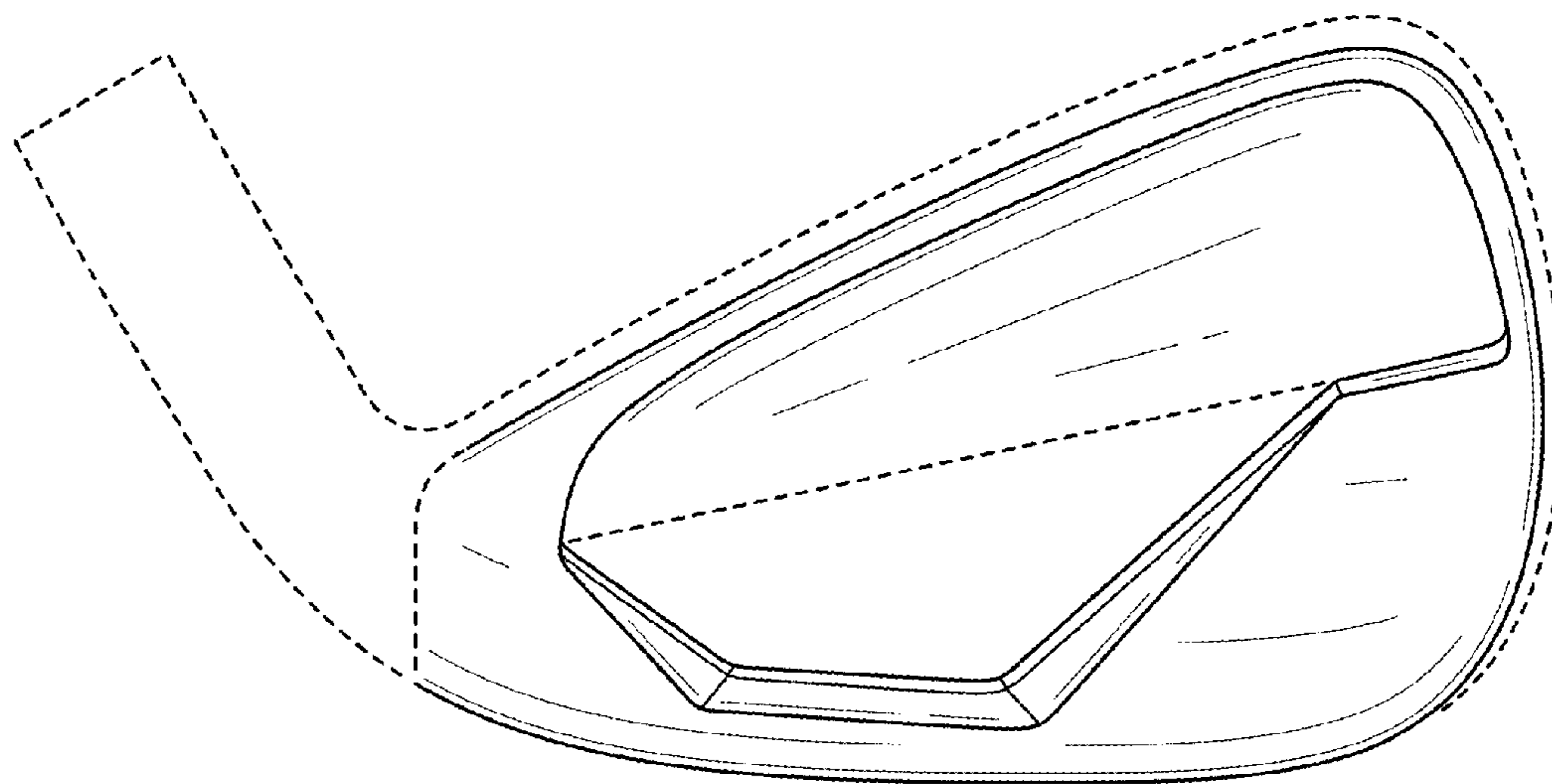


FIG. 2

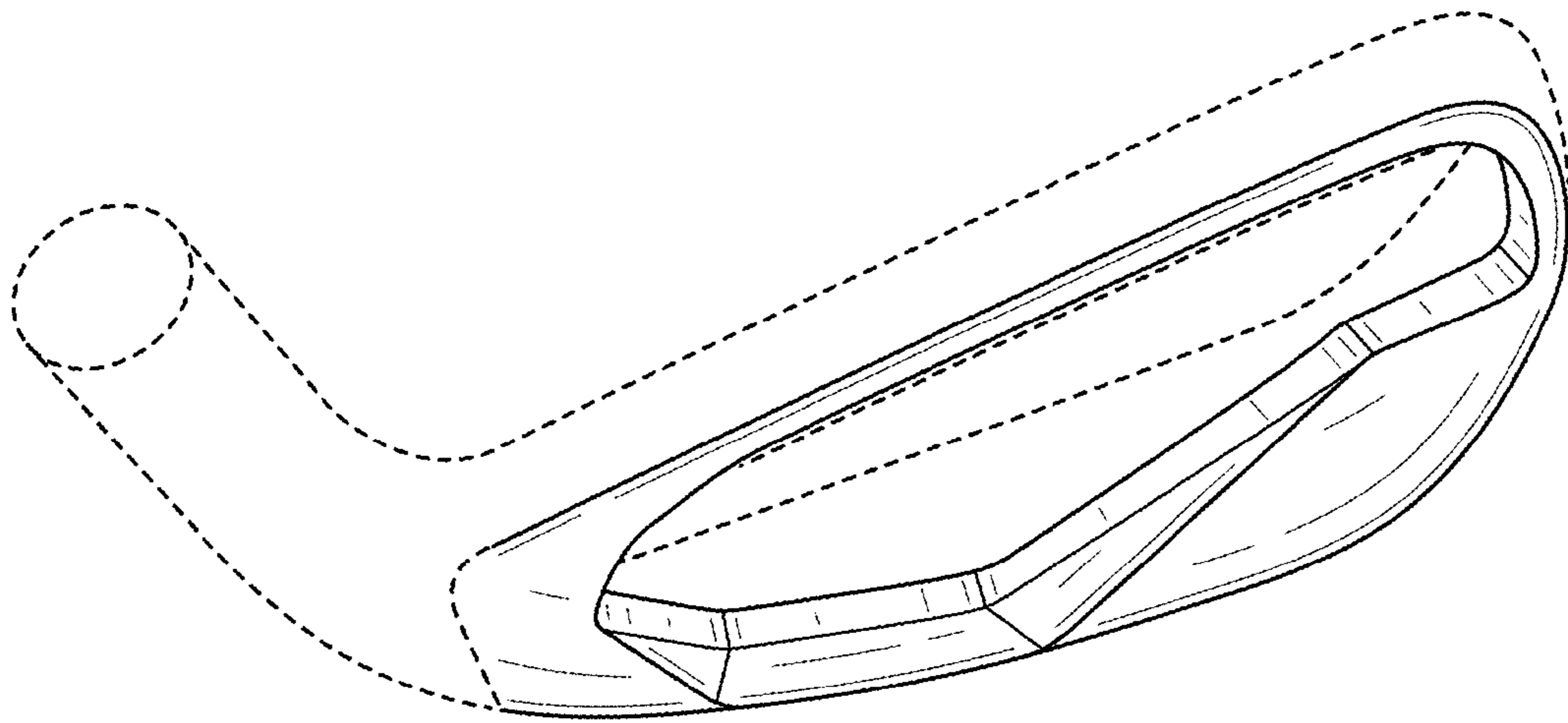


FIG. 3