



US00D704286S

(12) **United States Design Patent**
Yu

(10) **Patent No.:** **US D704,286 S**
(45) **Date of Patent:** **** May 6, 2014**

(54) **BALL HOLDER**

(76) Inventor: **Wan-Sheng Yu, Taipei (TW)**

(**) Term: **14 Years**

(21) Appl. No.: **29/371,636**

(22) Filed: **Jun. 17, 2011**

(51) **LOC (10) Cl.** **21-02**

(52) **U.S. Cl.**
USPC **D21/717**

(58) **Field of Classification Search**
USPC D21/338, 362, 385, 390, 392, 393, 397,
D21/453-455, 461, 468, 488, 658, 686, 694,
D21/698, 715, 716, 717, 722, 781, 785, 789,
D21/790, 791, 796; D3/257, 258, 269, 304,
D3/313, 318, 319, 328, 904; D6/329, 396,
D6/397, 400, 449, 455, 466, 467, 469, 475,
D6/476, 491, 495, 509, 524, 525, 526, 532,
D6/541, 552; D8/71, 349, 354, 373-375,
D8/380, 400; D7/505, 553.1, 553.6, 554.2,
D7/555, 311, 600.1, 601, 602, 701, 624.1,
D7/323, 326, 337, 357, 359, 386, 387, 388,
D7/396.1, 396.6, 401.1, 403, 409;
D9/715-719, 737, 739, 749, 755, 758,
D9/760, 501, 428, 434, 455, 456; D19/35,
D19/36, 54, 61, 75, 77, 79, 95; D24/227,
D24/229, 230; D27/102, 125-138; D28/61,
D28/73, 75; D30/129, 130; D99/28, 34;
206/579, 315.9, 315.91, 558, 561-564;
473/106, 417, 420, 569; 248/176.1,
248/346.01, 346.05; 211/14, 85.7; 215/386,
215/395; 220/575, 500, 505, 506, 555, 735,
220/737; D11/164

See application file for complete search history.

(56) **References Cited**

U.S. PATENT DOCUMENTS

2,259,682	A *	10/1941	Collins	119/61.54
D130,805	S *	12/1941	Roberts	D21/715
2,313,823	A *	3/1943	Harrigan	248/346.01
D152,313	S *	1/1949	Andre	D27/126
D154,562	S *	7/1949	Nagel et al.	D27/132
3,281,883	A *	11/1966	Glantz	15/210.1
3,368,689	A *	2/1968	Porterfield	211/14
3,627,319	A *	12/1971	Van Skyhawk	124/16
D225,364	S *	12/1972	Antoni	D7/553.6
D250,361	S *	11/1978	James	D21/720
D257,785	S *	1/1981	Arndt et al.	D21/790
4,537,397	A *	8/1985	Kopp	473/420
D339,429	S *	9/1993	Reid et al.	D30/121
D370,868	S *	6/1996	Phelps	D11/131
6,170,788	B1 *	1/2001	Stevenson	248/346.01
D446,361	S *	8/2001	Elliott	D30/129

(Continued)

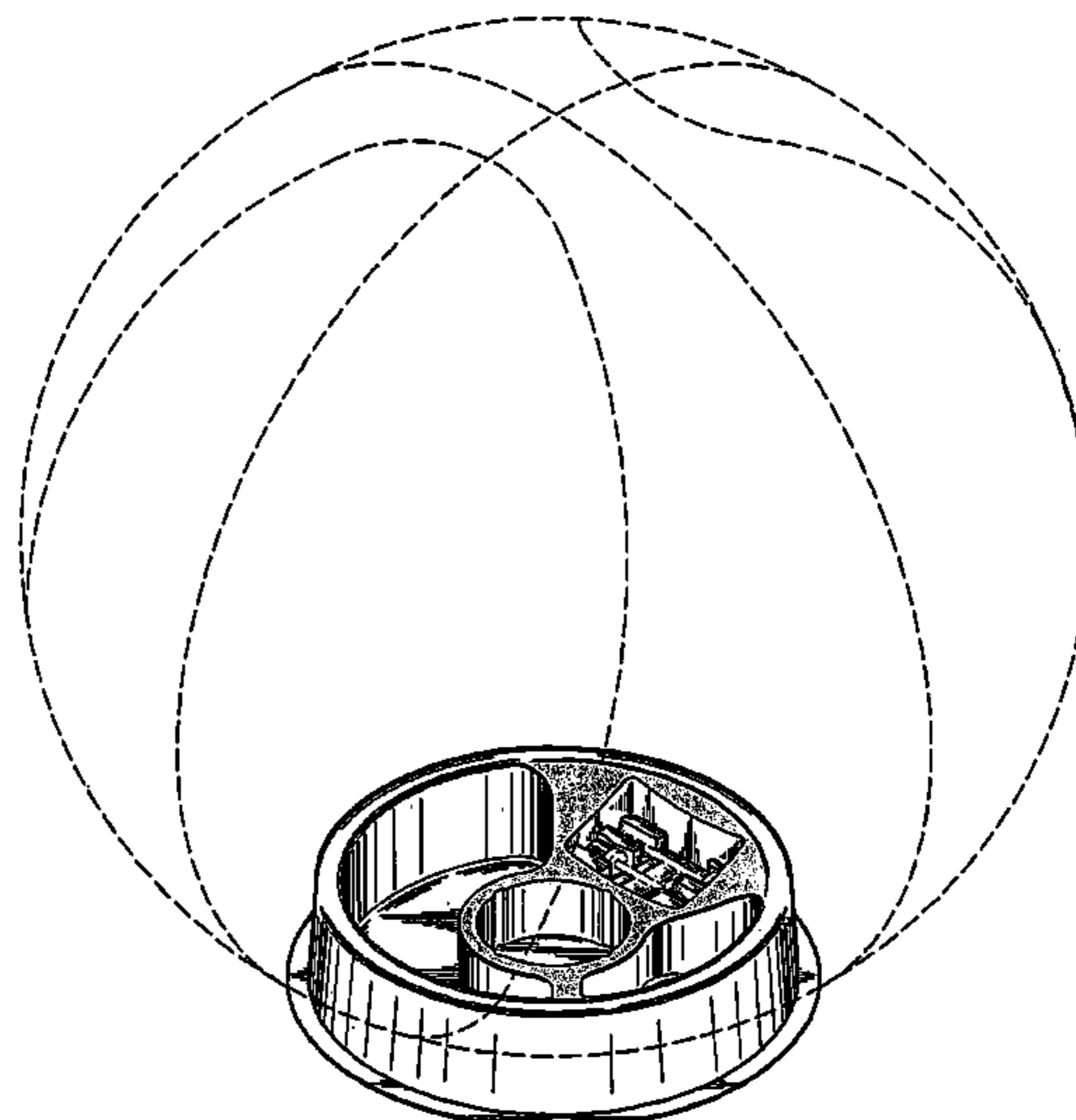
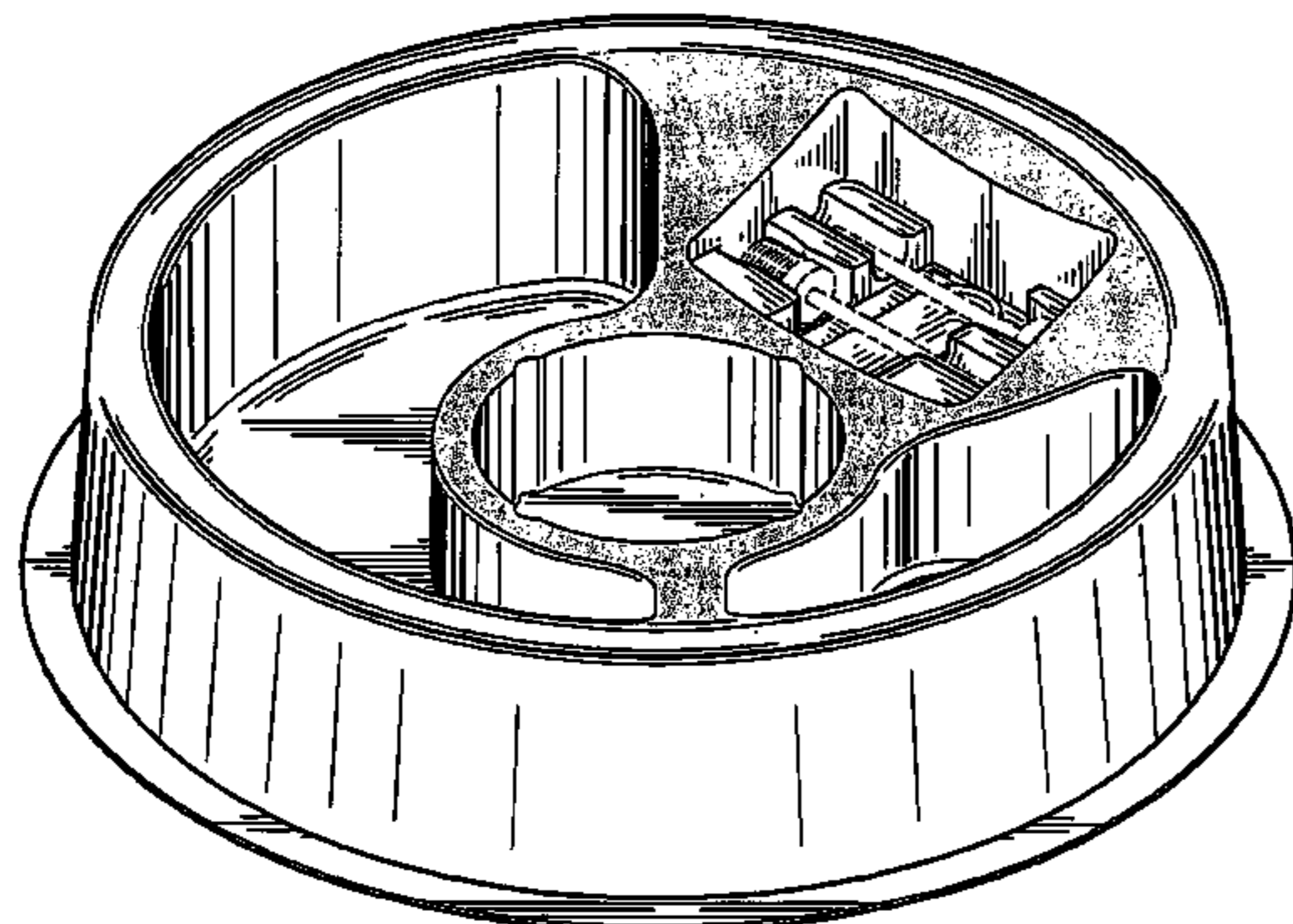
Primary Examiner — Catherine Tuttle

(57) **CLAIM**
The ornamental design for a ball holder, as shown and described.

DESCRIPTION

FIG. 1 is a perspective view of the ball holder showing my new design, the inflating needles shown in broken lines being for illustrative purposes only, and forming no part of the claimed design;
FIG. 2 is a front view thereof;
FIG. 3 is a rear view thereof;
FIG. 4 is a left view thereof;
FIG. 5 is a right view thereof;
FIG. 6 is a top view thereof, the inflating needles shown in broken lines being for illustrative purposes only, and forming no part of the claimed design;
FIG. 7 is a bottom view thereof; and,
FIG. 8 is a perspective view showing the design in association with a ball, the ball and inflating needles shown in broken lines being for illustrative purposes only, and forming no part of the claimed design.

1 Claim, 6 Drawing Sheets



US D704,286 S

Page 2

(56)

References Cited

U.S. PATENT DOCUMENTS

D474,404 S *	5/2003	Tropeano	D9/455	6,899,224 B2 *	5/2005	Sheffield et al.	206/315.9
D484,343 S *	12/2003	Plesnicar	D6/552	D539,055 S *	3/2007	Kershaw	D6/457
				8,413,807 B2 *	4/2013	Weldon	206/315.9
				2005/0150795 A1 *	7/2005	Kershaw	206/315.9

* cited by examiner

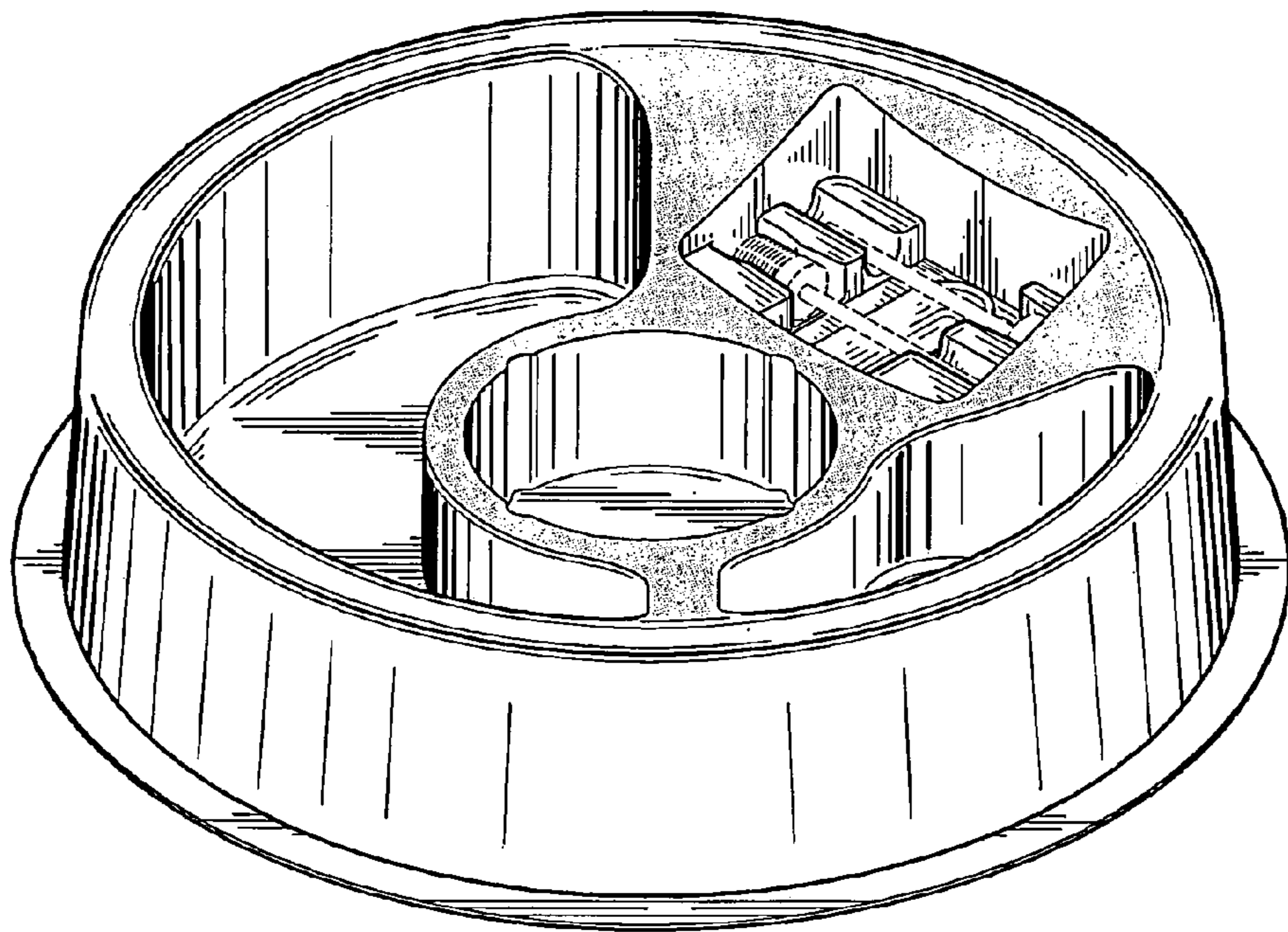


FIG.1

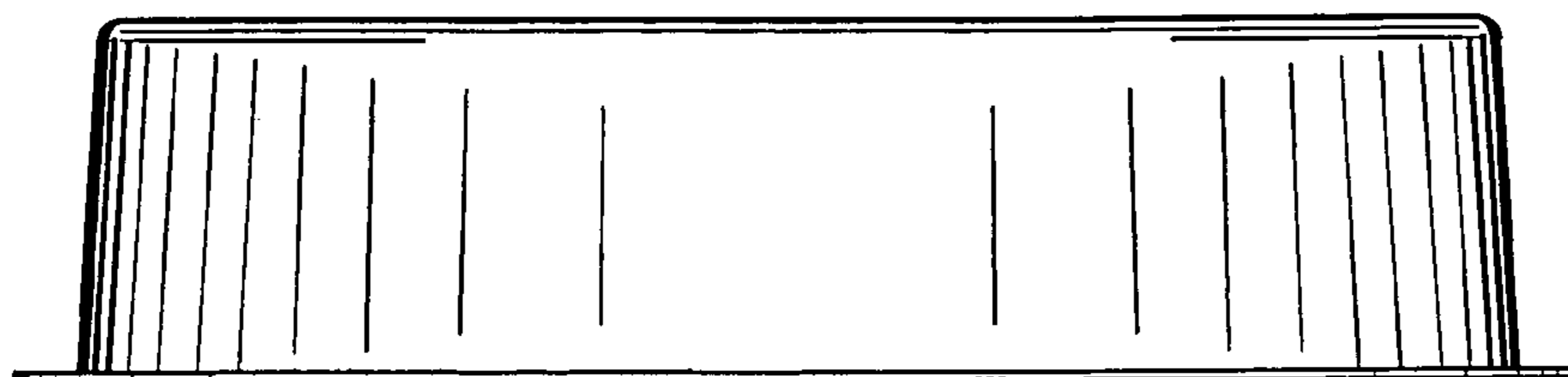


FIG. 2

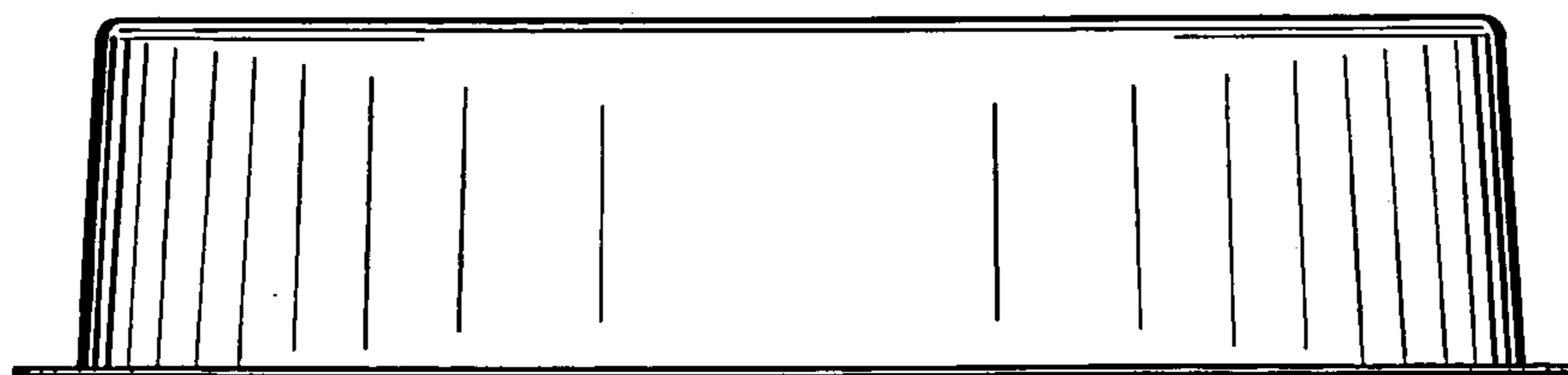


FIG. 3

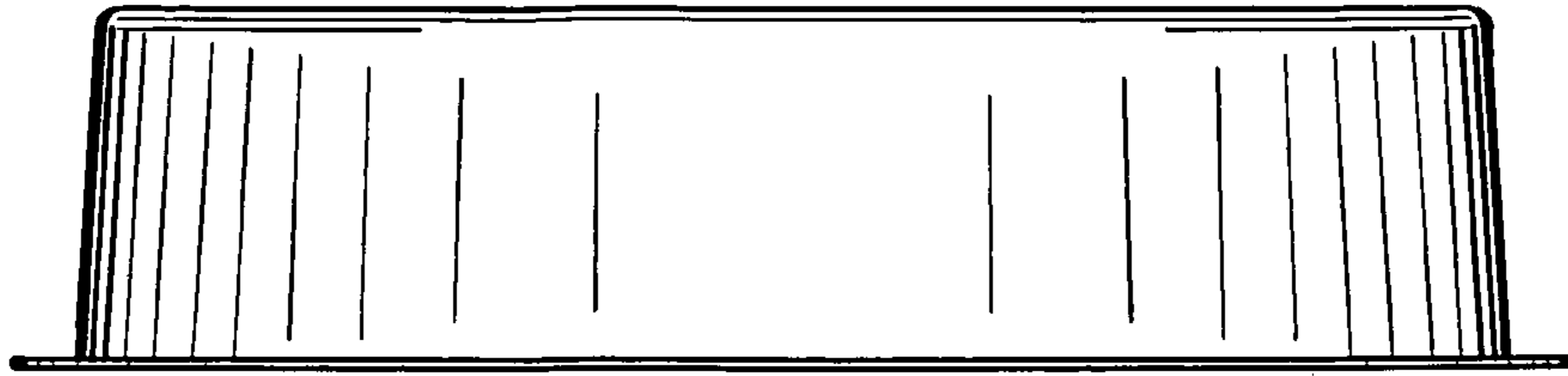


FIG. 4

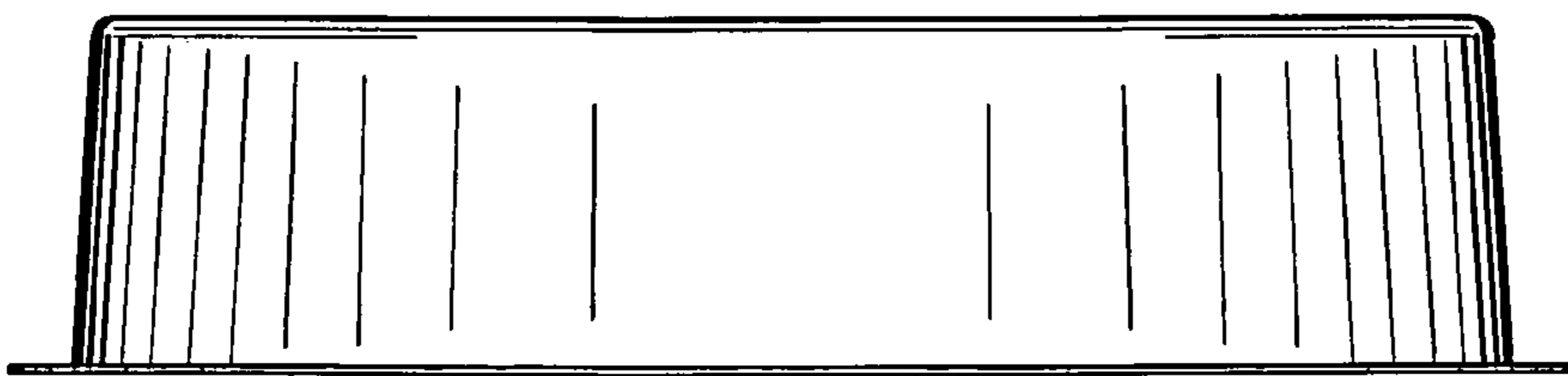


FIG. 5

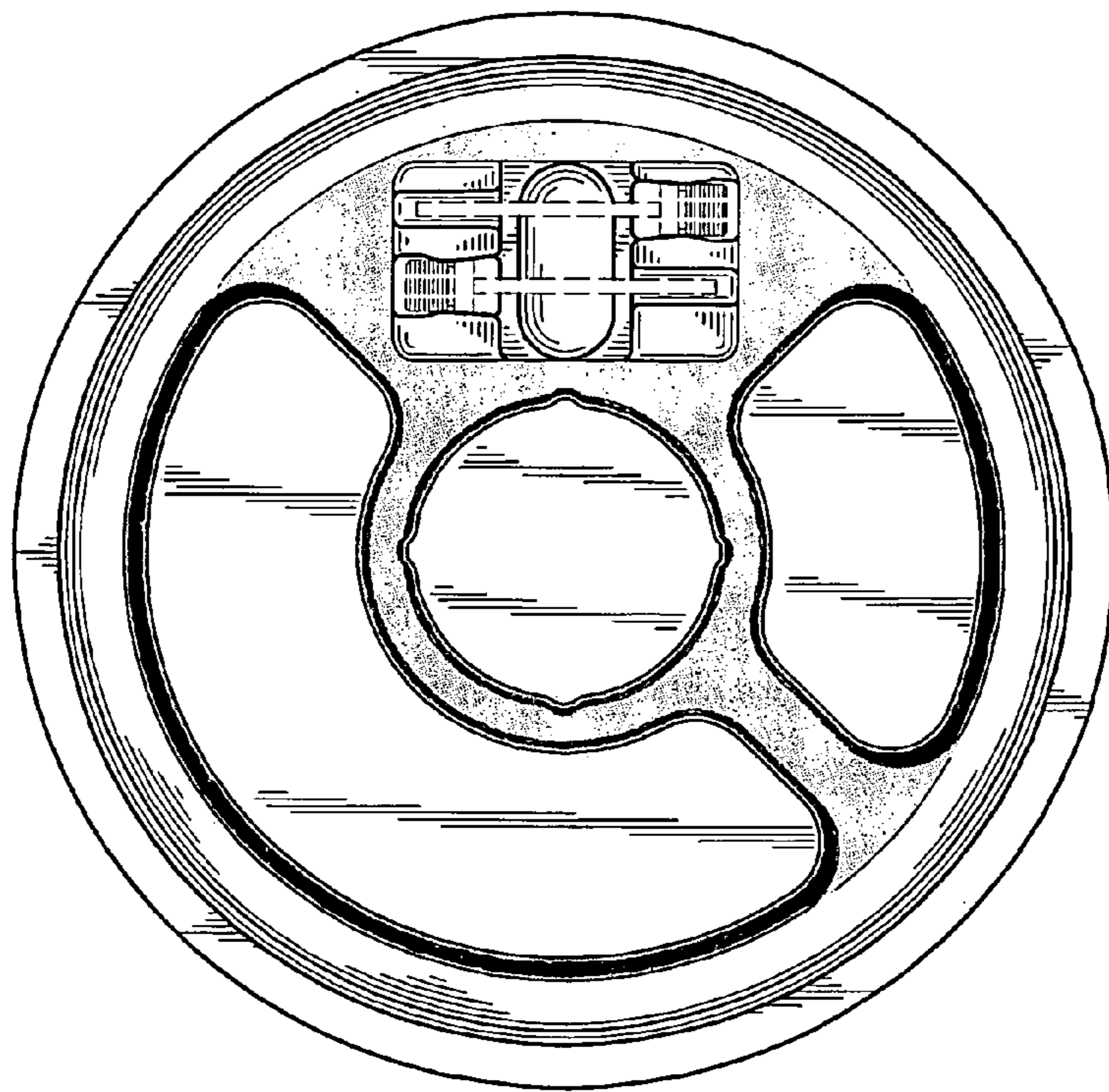


FIG.6

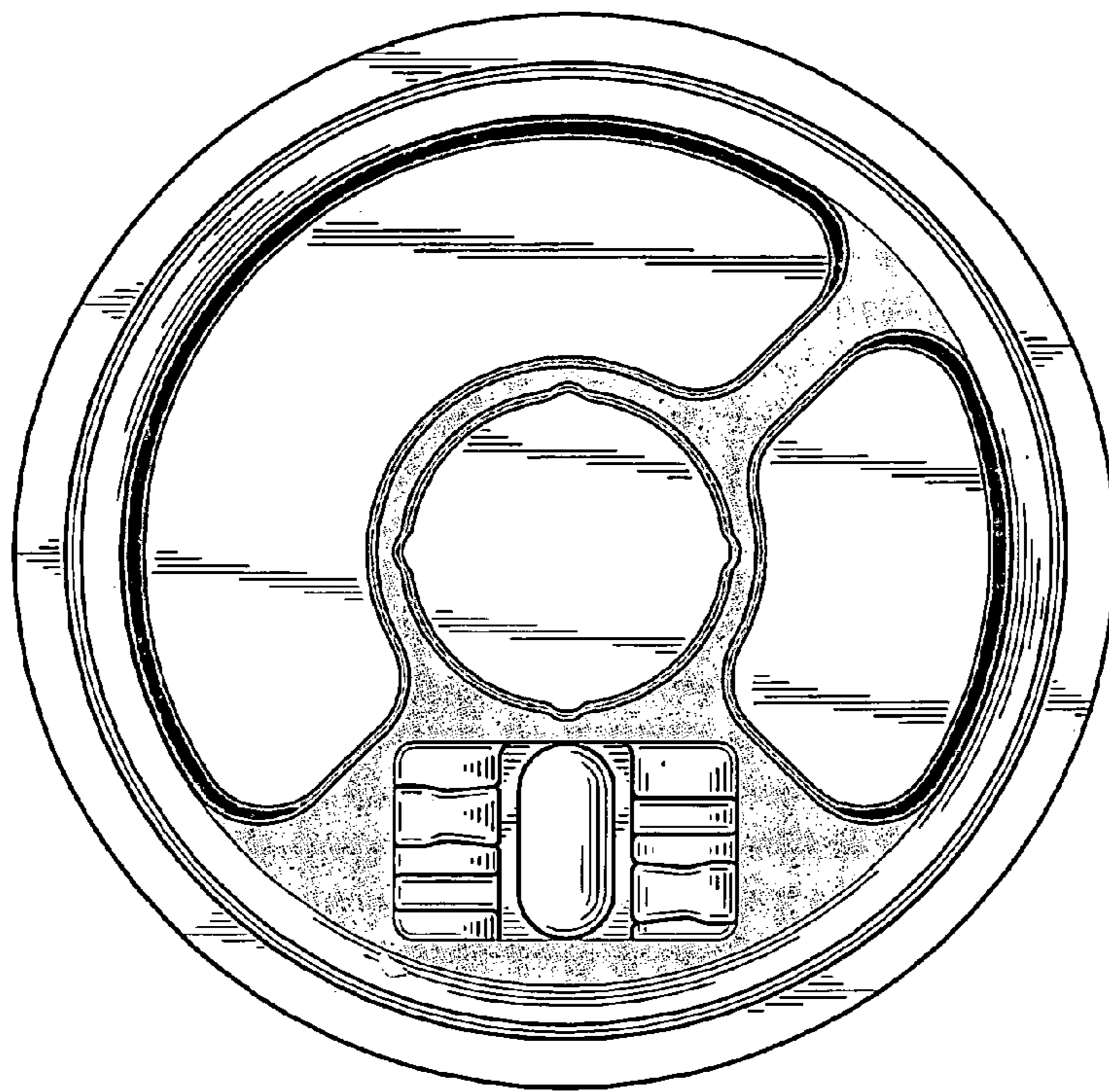


FIG. 7

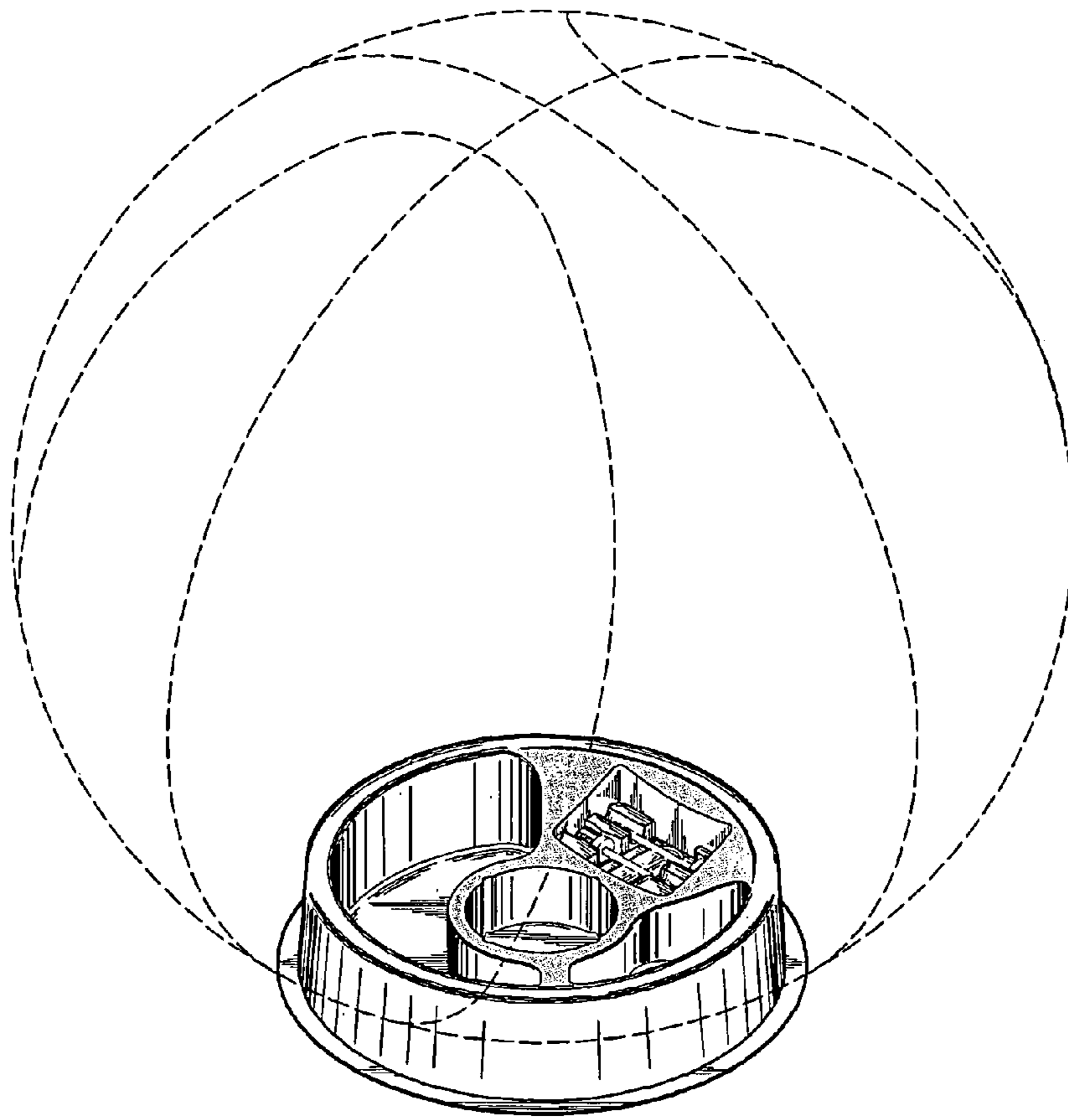


FIG.8