



US00D704285S

(12) **United States Design Patent**
Zucca et al.

(10) **Patent No.:** **US D704,285 S**
(45) **Date of Patent:** **** May 6, 2014**

- (54) **SOCCER BOX**
- (71) Applicants: **Matthew Zucca**, Belmont, CA (US);
Andres Deza, Belmont, CA (US)
- (72) Inventors: **Matthew Zucca**, Belmont, CA (US);
Andres Deza, Belmont, CA (US)

3,907,150 A *	9/1975	Jurasek	220/485
4,258,924 A	3/1981	Ketchum		
4,588,190 A	5/1986	Stewart et al.		
4,643,314 A *	2/1987	Kidd	206/600
4,662,532 A *	5/1987	Anderson et al.	220/7
4,716,680 A *	1/1988	Whitcomb et al.	47/73
5,000,461 A *	3/1991	Borazjani	273/401
5,458,255 A *	10/1995	Addeo et al.	220/6

(Continued)

(**) Term: **14 Years**

(21) Appl. No.: **29/464,598**

(22) Filed: **Aug. 19, 2013**

Related U.S. Application Data

(63) Continuation-in-part of application No. 13/797,947,
filed on Mar. 12, 2013.

(51) **LOC (10) Cl.** **21-02**

(52) **U.S. Cl.**

USPC **D21/699**

(58) **Field of Classification Search**

USPC D21/302–307, 699, 704, 705, 780, 788,
D21/790; D3/304–306, 314; D25/32, 38.1,
D25/39, 45, 48.8; D30/108, 113, 114;
D11/155; D8/1; 473/434, 435, 439,
473/446, 462, 471, 476–478; 256/19, 24,
256/25, 26, 31, 73; 119/502–515; 47/33,
47/32.4, 65.5, 66.1, 66.3, 72; 220/4.29,
220/4.33, 6, 668, 676, FOR. 113; 217/13,
217/12 A, 36, 42, 4 R, 45, 48

See application file for complete search history.

(56) **References Cited**

U.S. PATENT DOCUMENTS

408,810 A *	8/1889	Moore	217/122
2,581,318 A *	1/1952	Bartlett	119/514
3,478,914 A *	11/1969	Williams	220/4.28
3,688,937 A *	9/1972	Ellison	220/7
3,788,642 A	1/1974	Matras et al.		

FOREIGN PATENT DOCUMENTS

GB 4007138 * 7/2008

Primary Examiner — Catherine Tuttle

(74) *Attorney, Agent, or Firm* — Aka Chan LLP

(57) **CLAIM**

The ornamental design for a soccer box, as shown and described.

DESCRIPTION

FIG. 1 shows a perspective view of a first embodiment of a design for a soccer box, from above the soccer box.

FIG. 2 shows a side view of FIG. 1.

FIG. 3 shows a top view of FIG. 1.

FIG. 4 shows a bottom view of FIG. 1.

FIG. 5 shows a perspective view of FIG. 1 in use.

FIG. 6 shows a perspective view of a second embodiment of a design for a soccer box, from above the soccer box.

FIG. 7 shows a side view of FIG. 6.

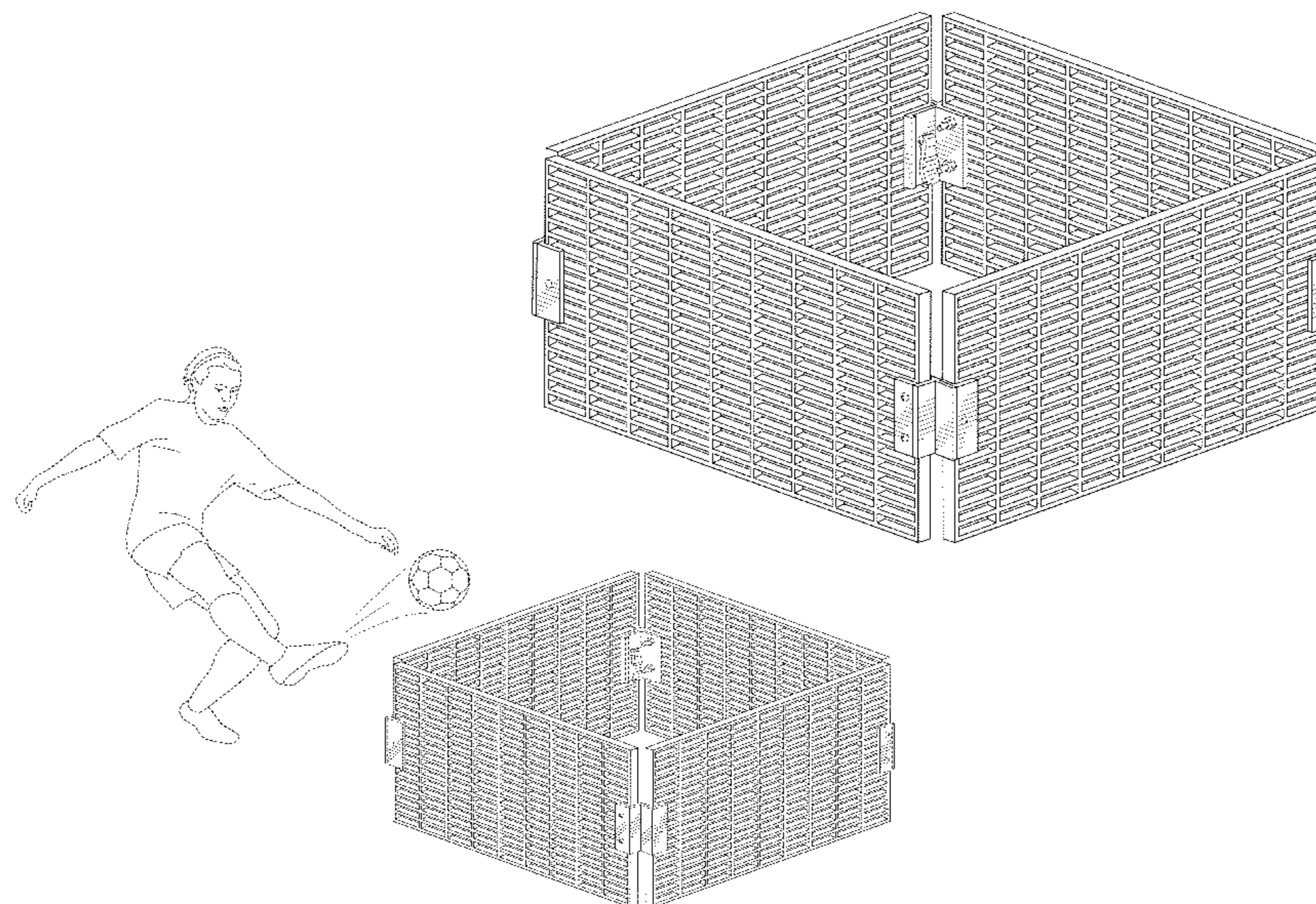
FIG. 8 shows a top view of FIG. 6.

FIG. 9 shows a bottom view of FIG. 6; and,

FIG. 10 shows a perspective view of FIG. 6 in use.

The broken lines showing the human figure, ball and movement of the ball in FIGS. 5 and 10 and portions of the soccer box in each of the figures are for illustrative purposes only and form no part of the claim to the embodiment in which they are shown.

1 Claim, 10 Drawing Sheets



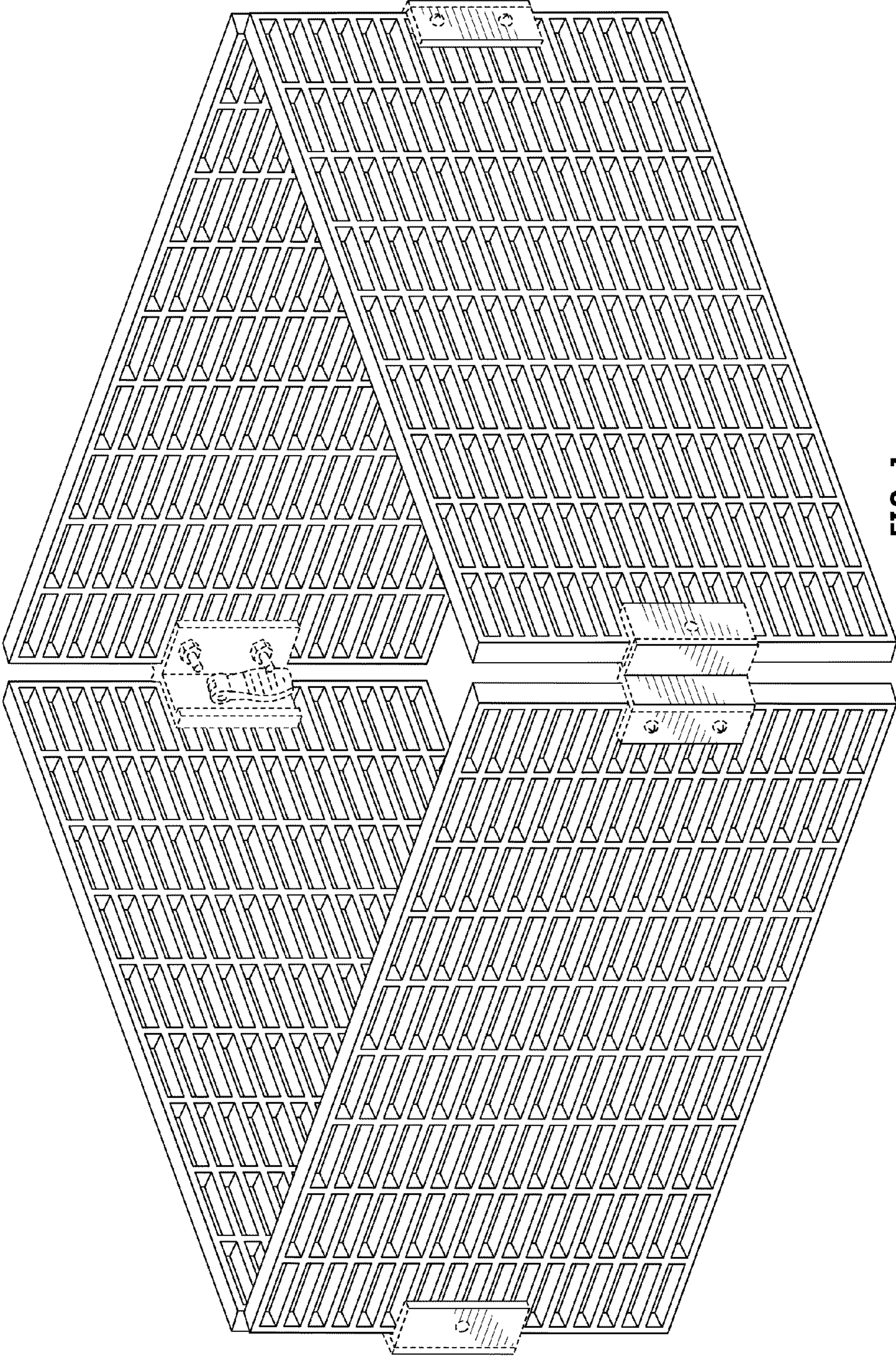


FIG. 1

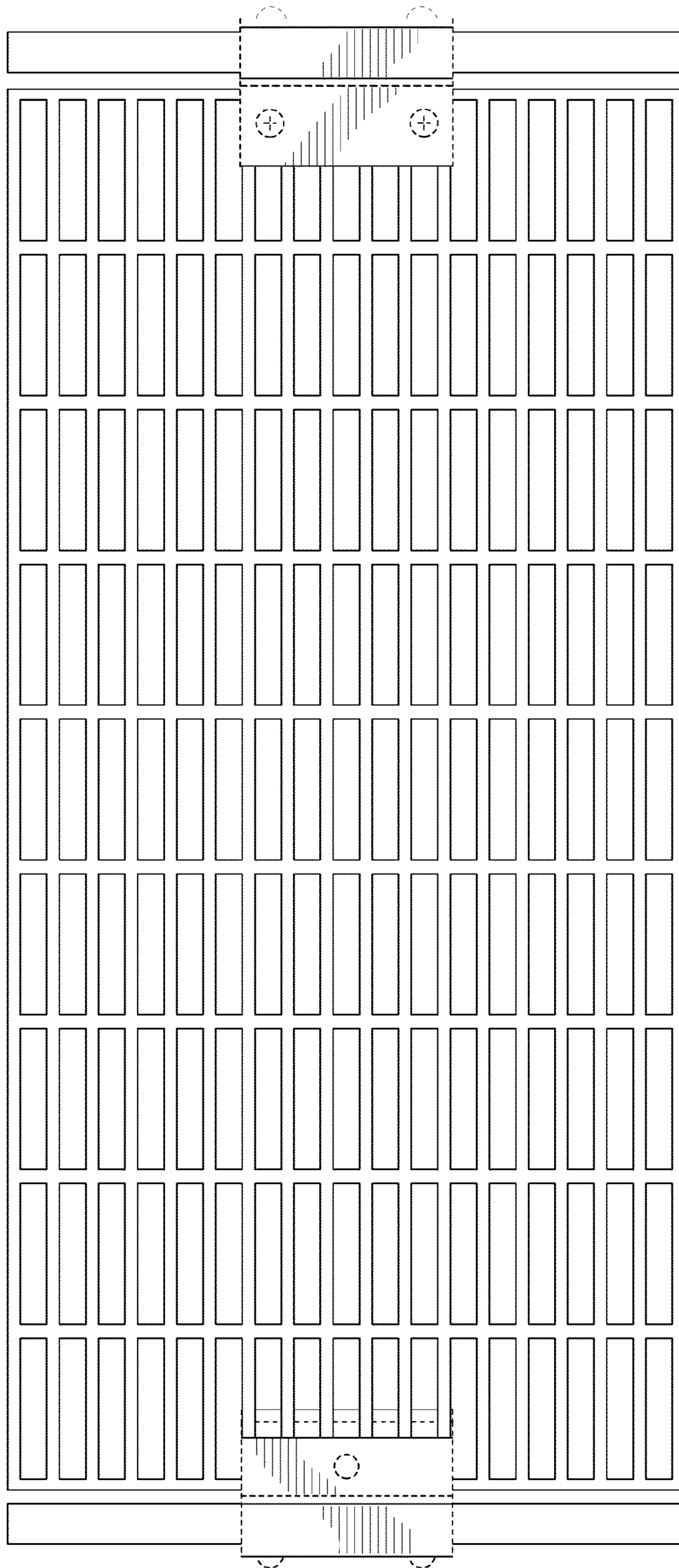


FIG. 2

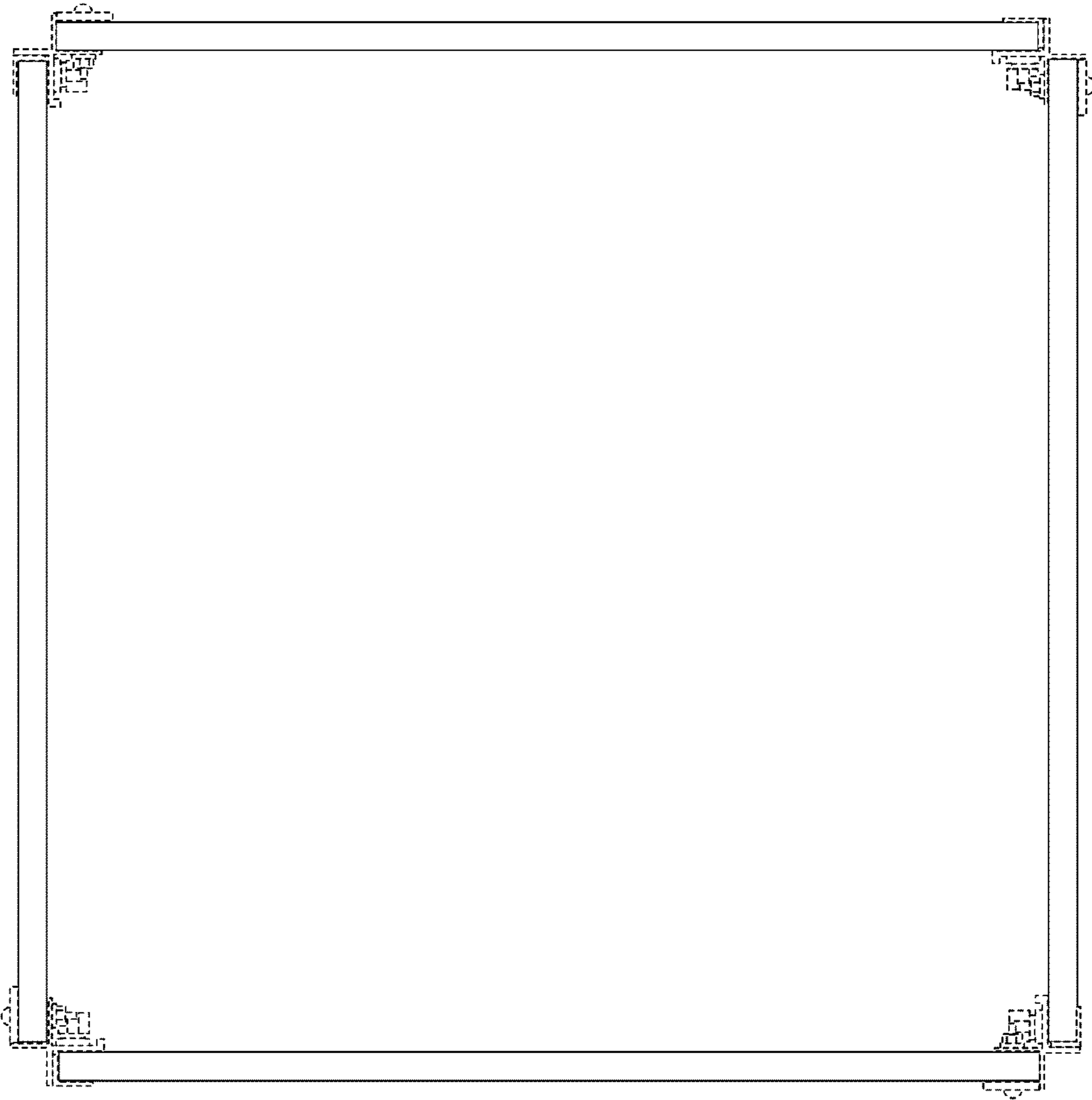


FIG. 3

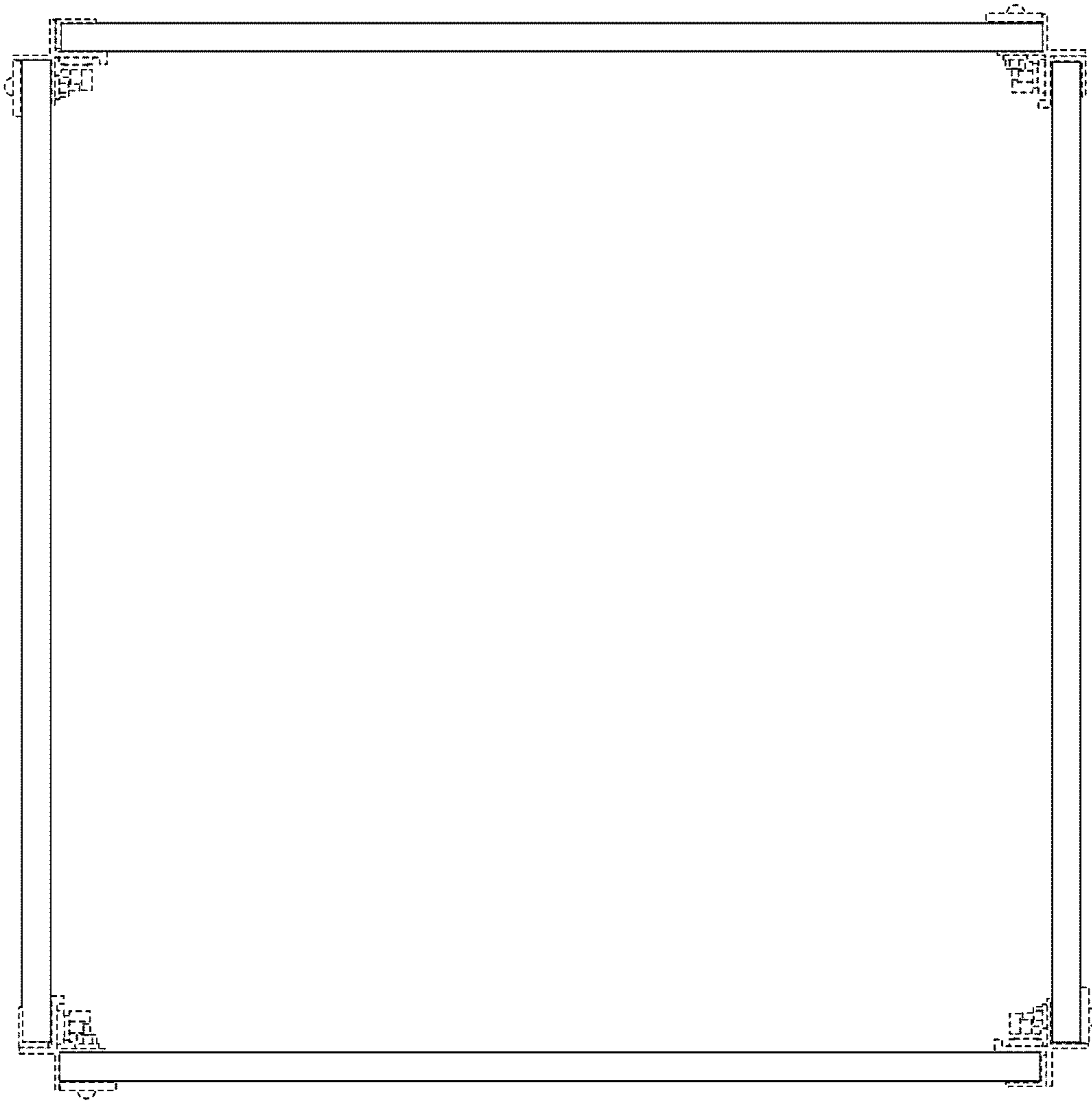


FIG. 4

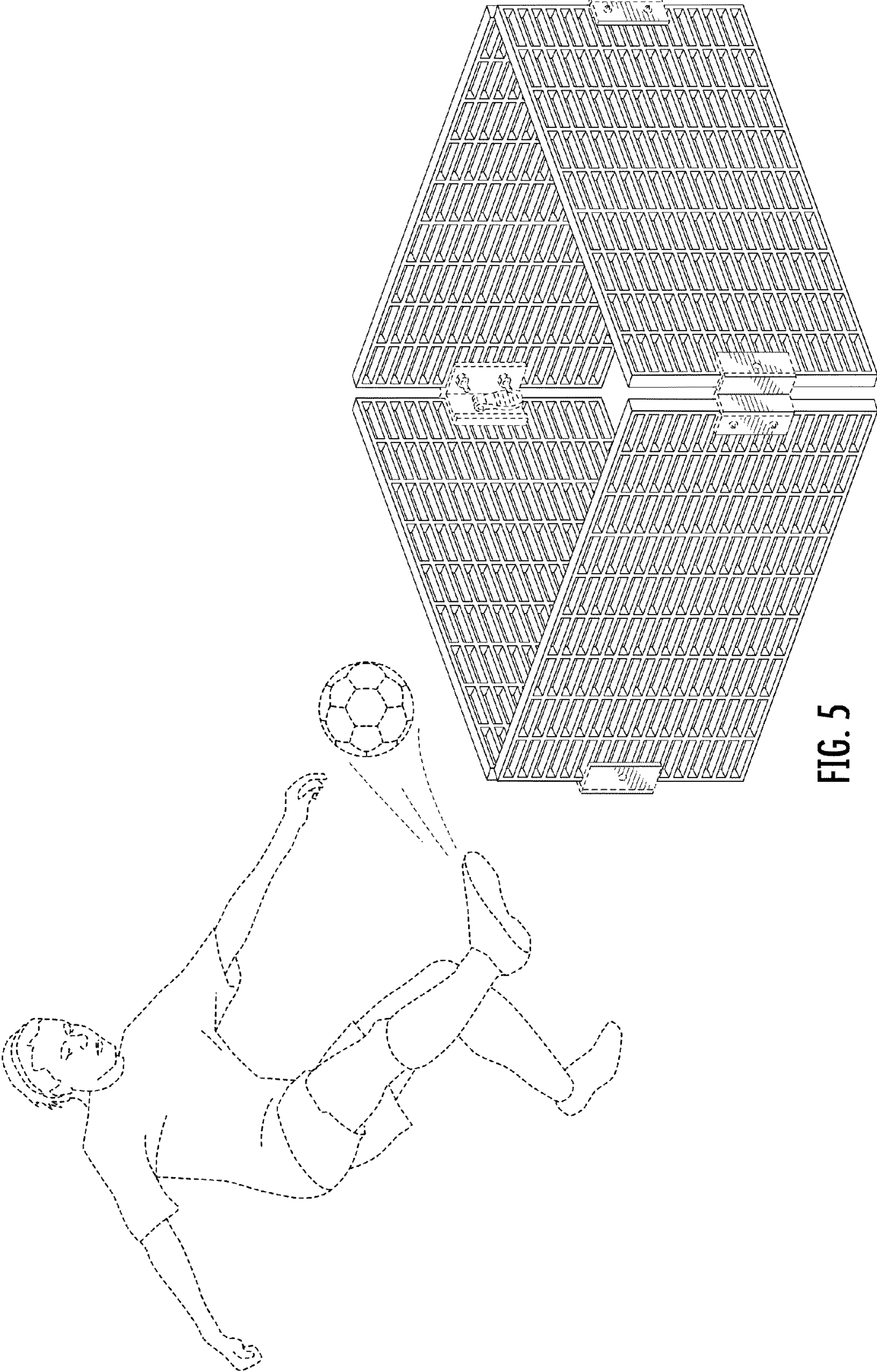


FIG. 5

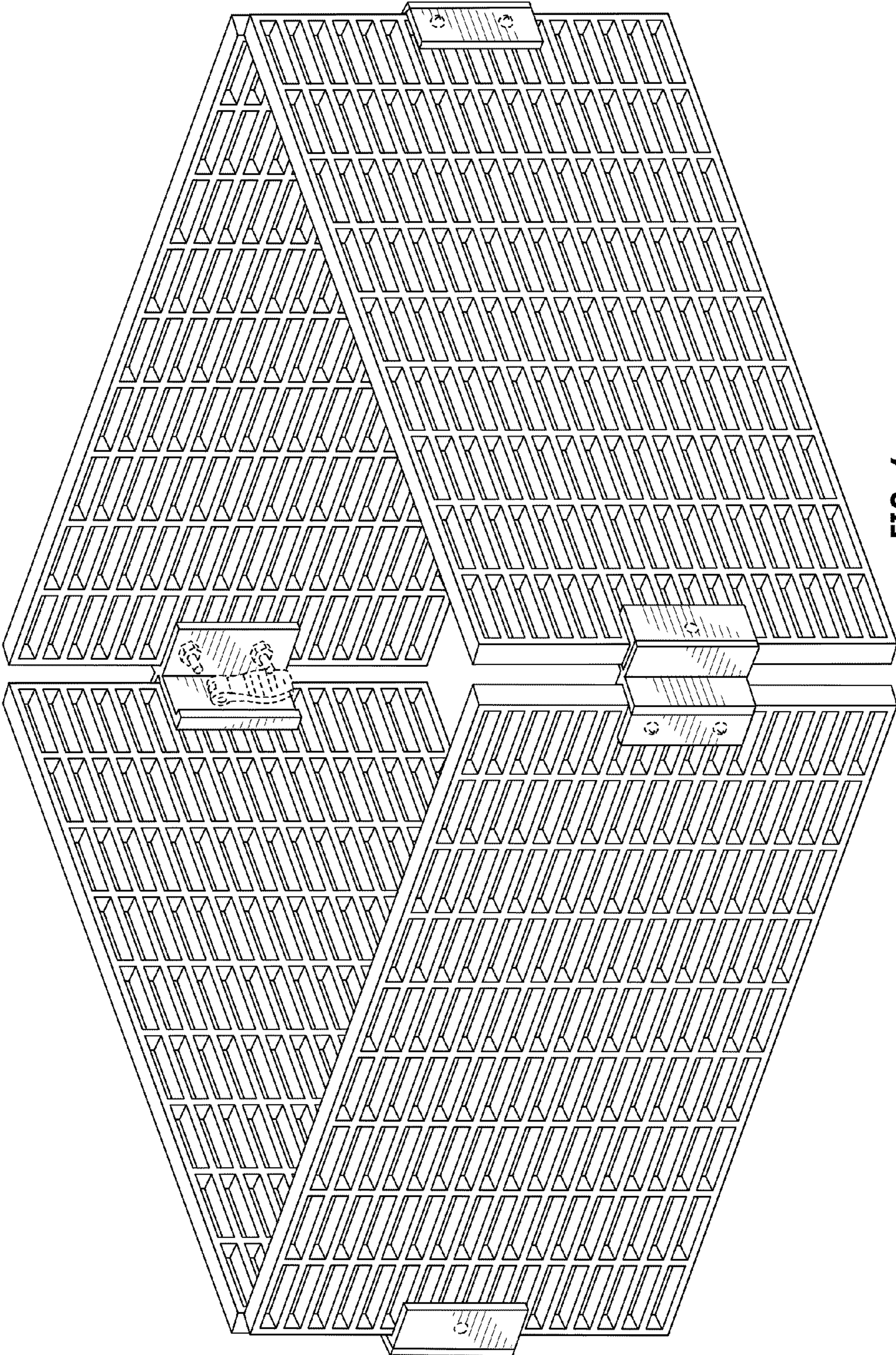


FIG. 6

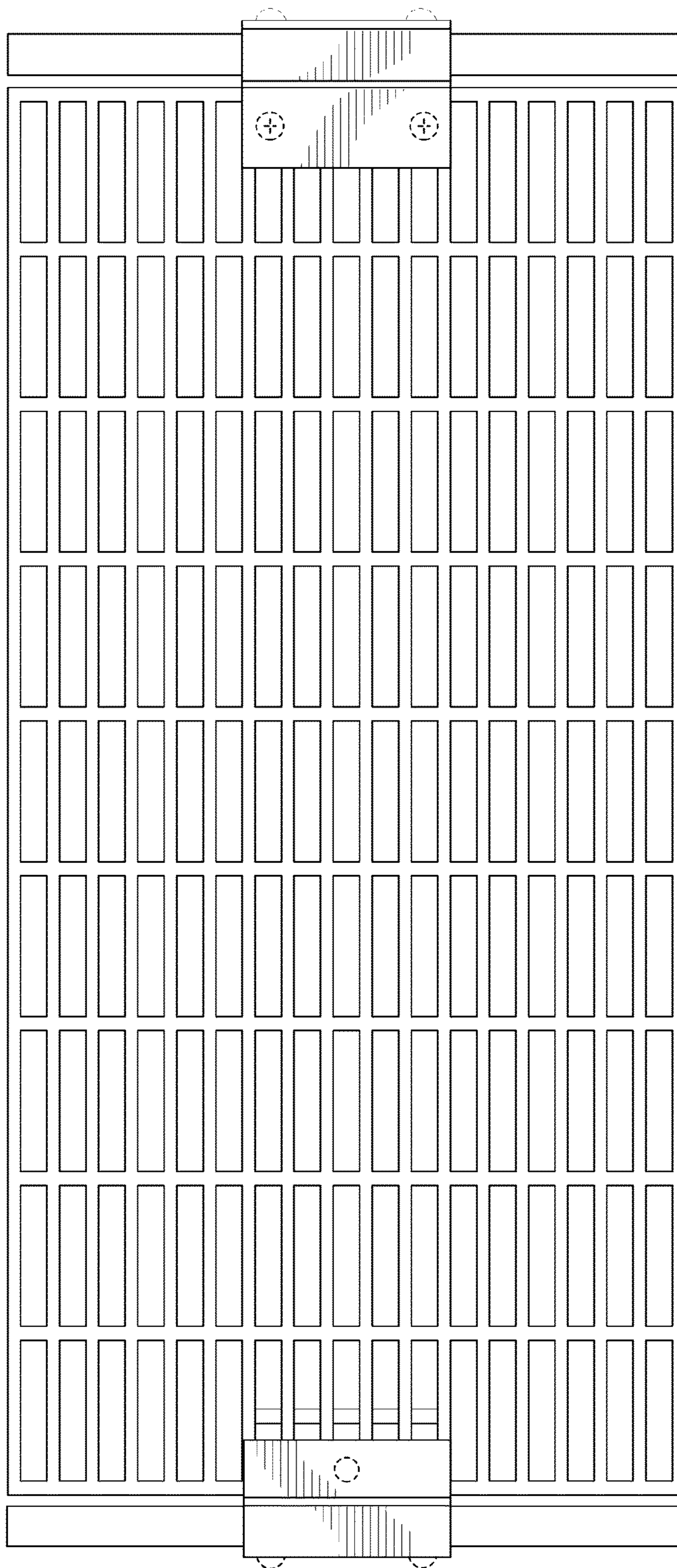


FIG. 7

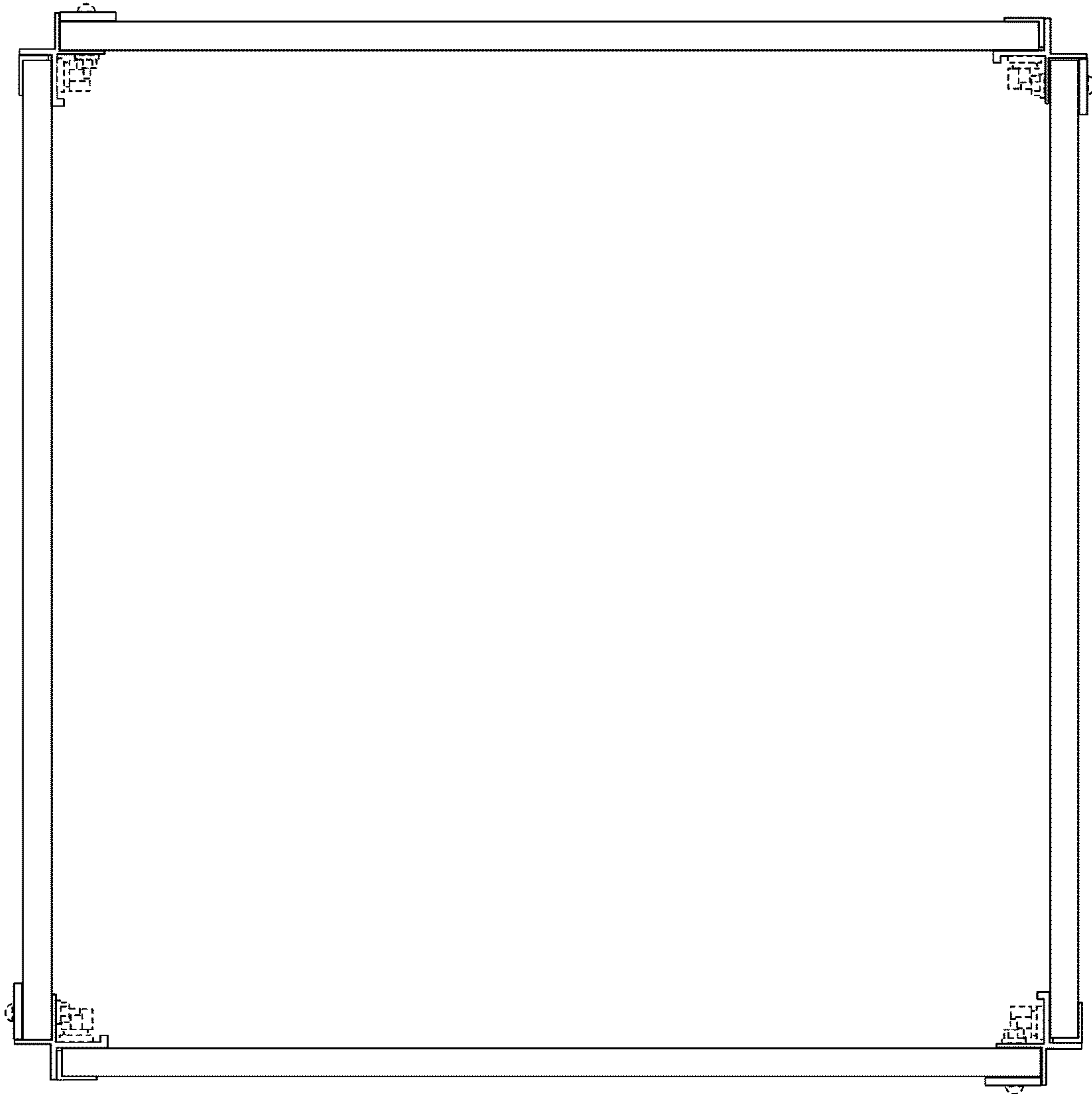


FIG. 8

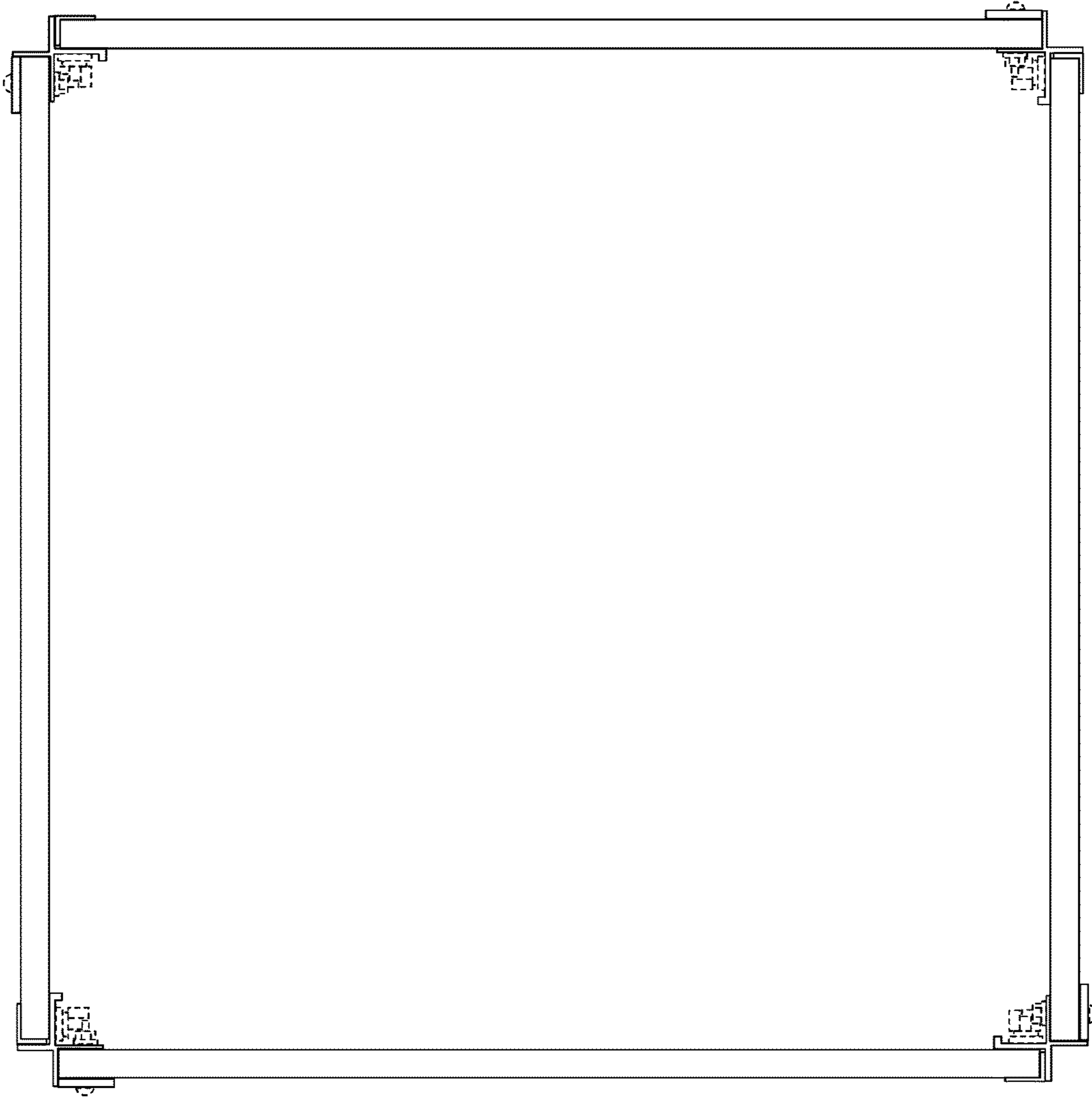


FIG. 9

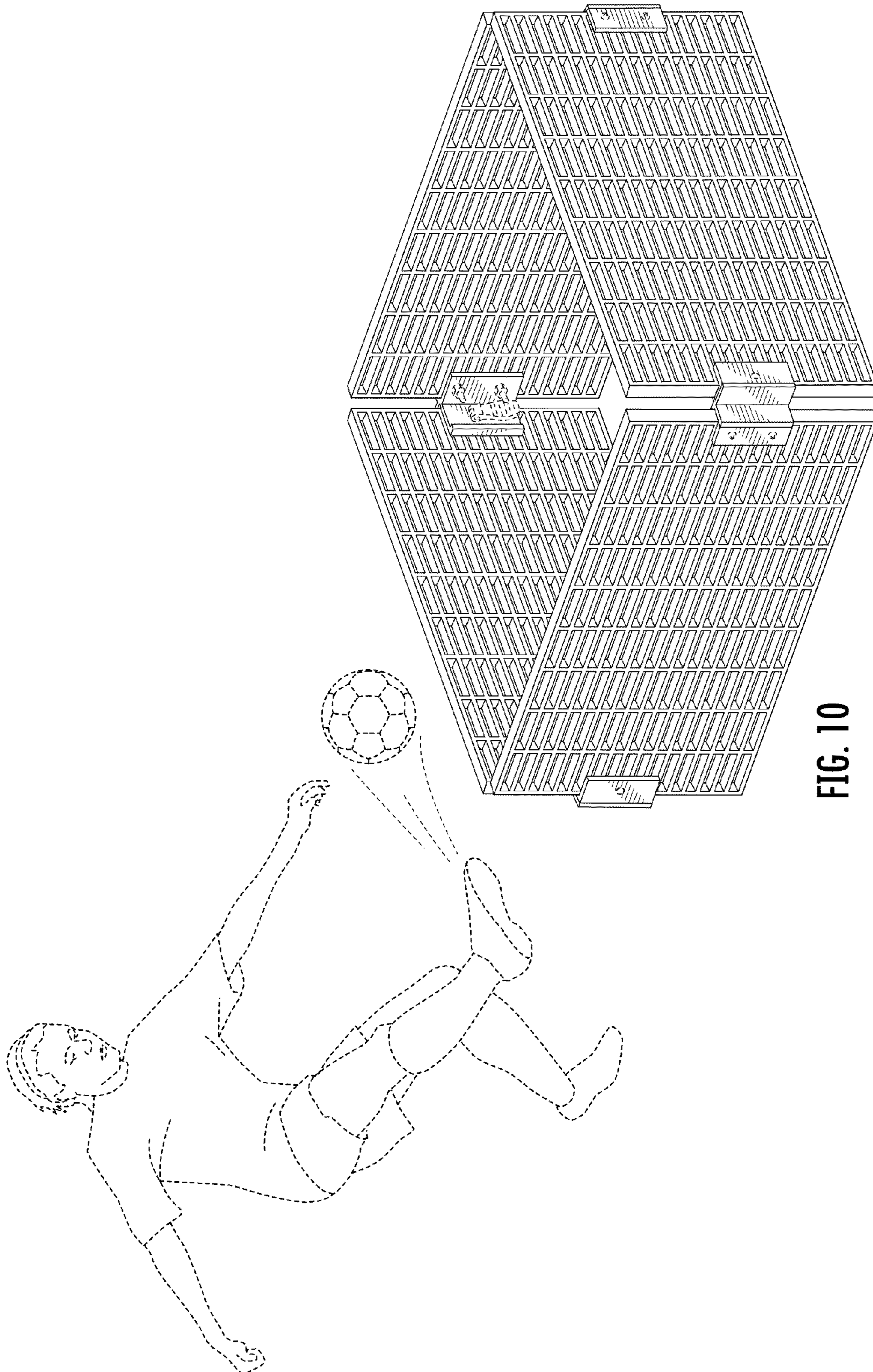


FIG. 10