



US00D704280S

(12) **United States Design Patent**
Murayama et al.

(10) **Patent No.:** **US D704,280 S**

(45) **Date of Patent:** **** May 6, 2014**

(54) **MONSTER-SHAPED TOY**

(71) Applicant: **Bandai Co., Ltd.**, Tokyo (JP)

(72) Inventors: **Takamichi Murayama**, Tokyo (JP);
Masayuki Endo, Tokyo (JP); **Masahiro Ueda**, Tokyo (JP); **Takahito Omori**, Tokyo (JP); **Sojiro Tanaka**, Tokyo (JP)

(73) Assignee: **Bandai Co., Ltd.**, Tokyo (JP)

(**) Term: **14 Years**

(21) Appl. No.: **29/455,224**

(22) Filed: **May 17, 2013**

(30) **Foreign Application Priority Data**

Nov. 20, 2012 (JP) 2012-028316

(51) **LOC (10) Cl.** **21-01**

(52) **U.S. Cl.**
USPC **D21/598**; D21/615; D21/578

(58) **Field of Classification Search**
USPC D21/576-585, 595, 598, 606-609, 615;
446/72-73, 97-98, 268-269, 297, 369;
D6/598; D11/158, 162; D30/160
See application file for complete search history.

(56) **References Cited**

U.S. PATENT DOCUMENTS

D295,642 S *	5/1988	Olsen	D21/495
D315,753 S *	3/1991	Stephensen et al.	D21/598
D356,836 S *	3/1995	Pedersen	D21/598
D532,056 S *	11/2006	Boutin	D21/598
D621,449 S *	8/2010	Wong	D21/598
D621,450 S *	8/2010	Wong	D21/615

* cited by examiner

Primary Examiner — Sandra Morris

(74) *Attorney, Agent, or Firm* — Rabin & Berdo, P.C.

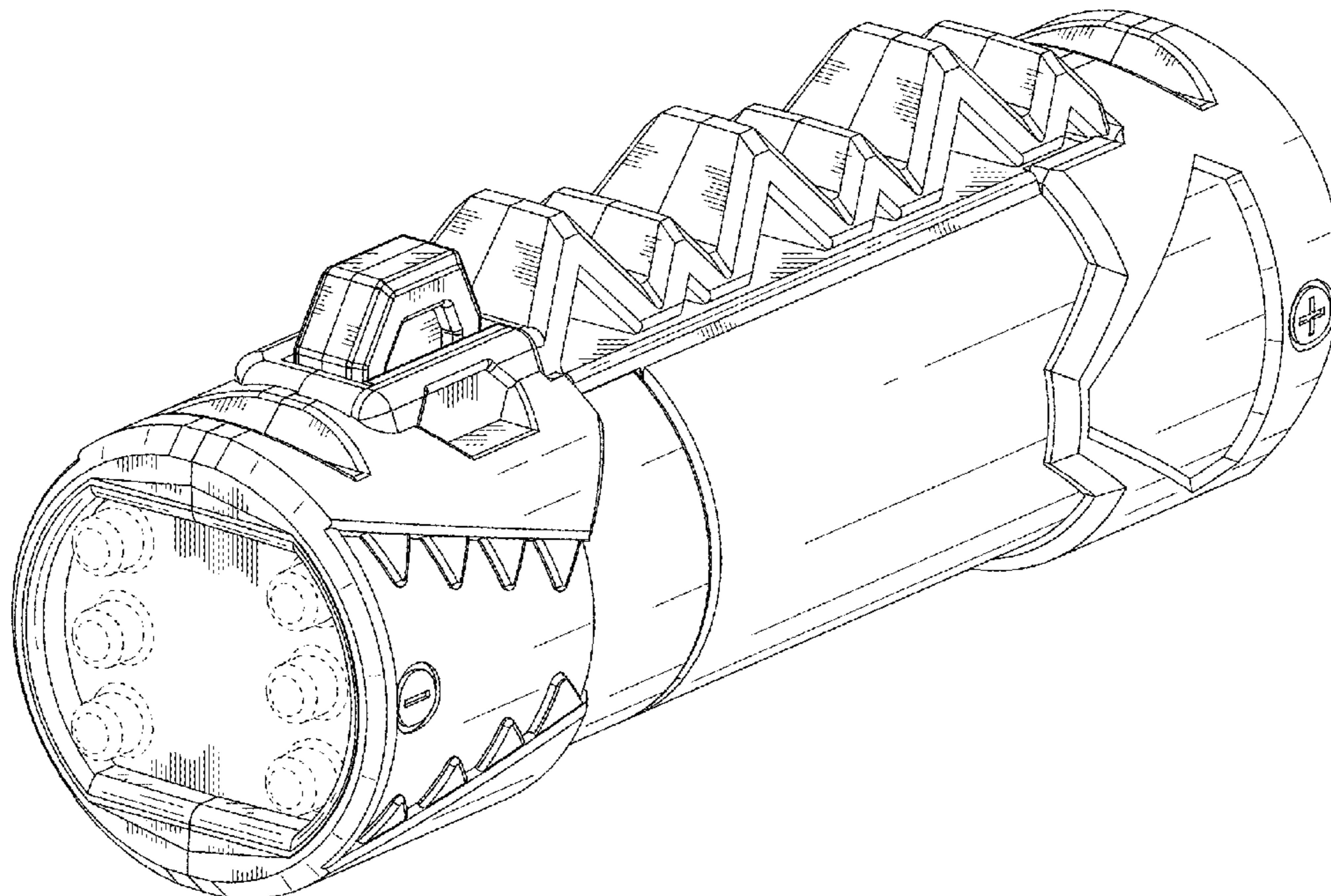
(57) **CLAIM**

The ornamental design for a monster-shaped toy, as shown and described.

DESCRIPTION

FIG. 1 is a front view of a monster-shaped toy;
FIG. 2 is a rear view thereof;
FIG. 3 is a left side view thereof;
FIG. 4 is a right side view thereof;
FIG. 5 is a top view thereof;
FIG. 6 is a bottom view thereof;
FIG. 7 is a perspective view thereof; and,
FIG. 8 is another perspective view thereof.
The broken line showing is for illustrative purposes only, and forms no part of the claimed design.

1 Claim, 8 Drawing Sheets



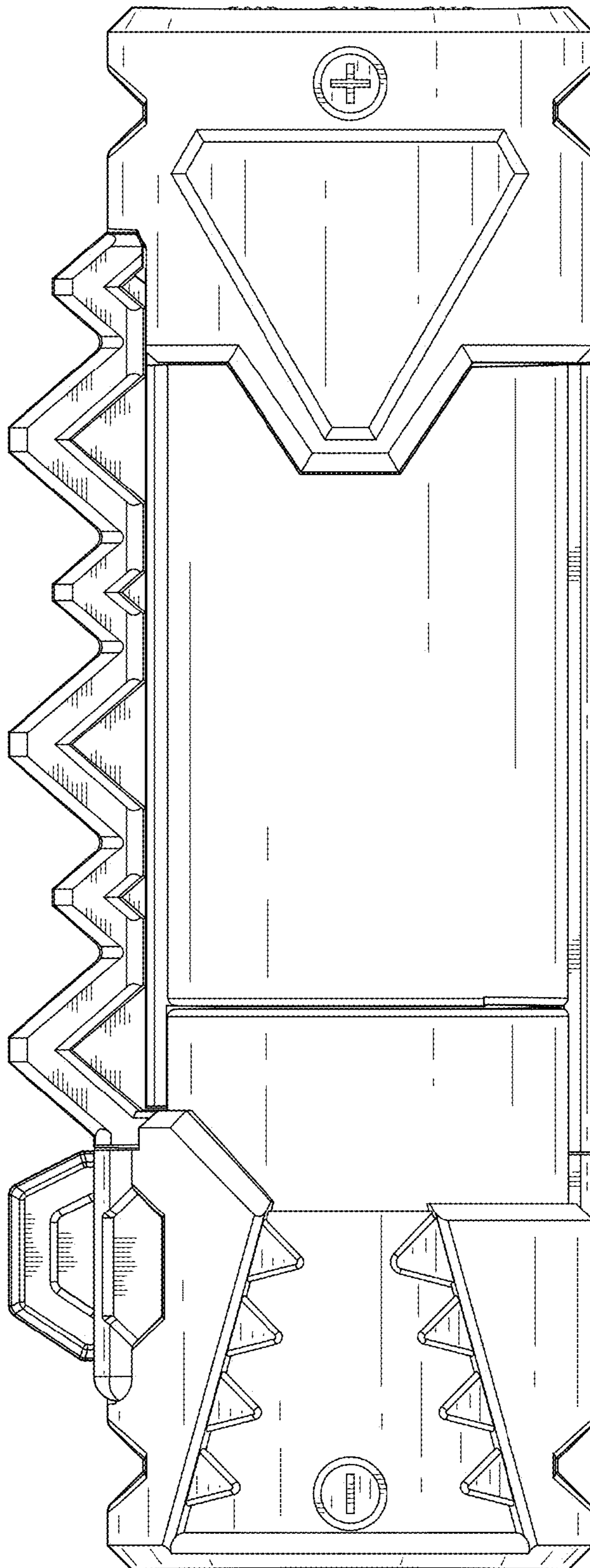


FIG. 1

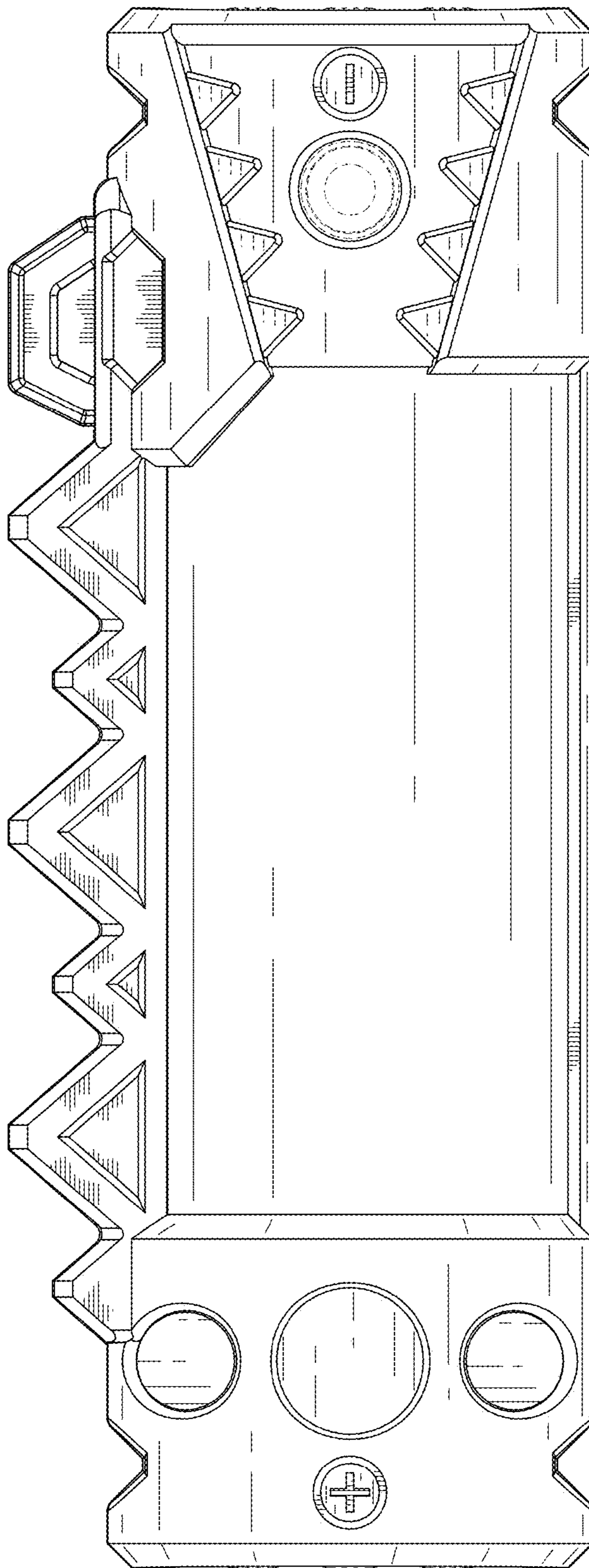


FIG. 2

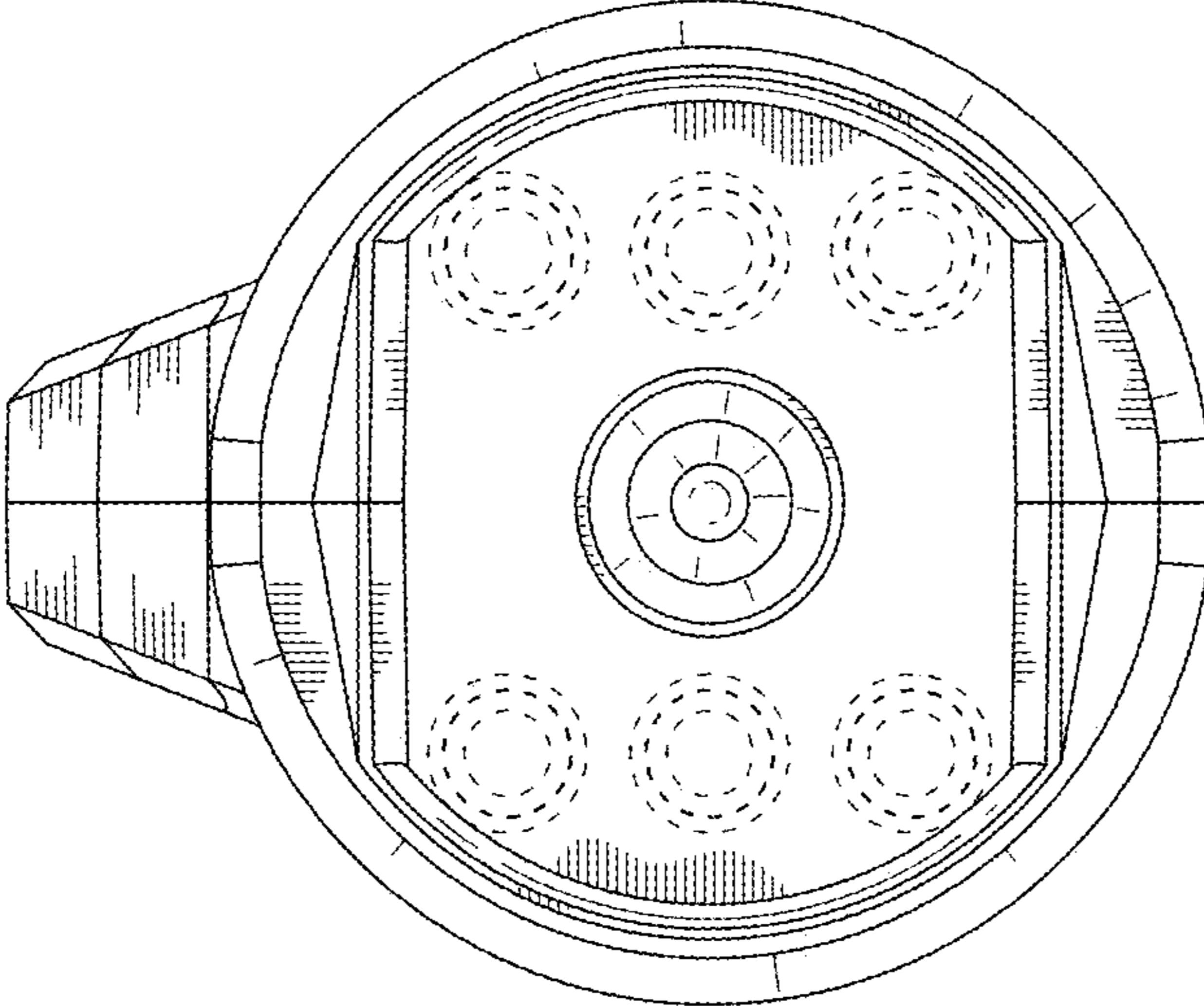


FIG. 3

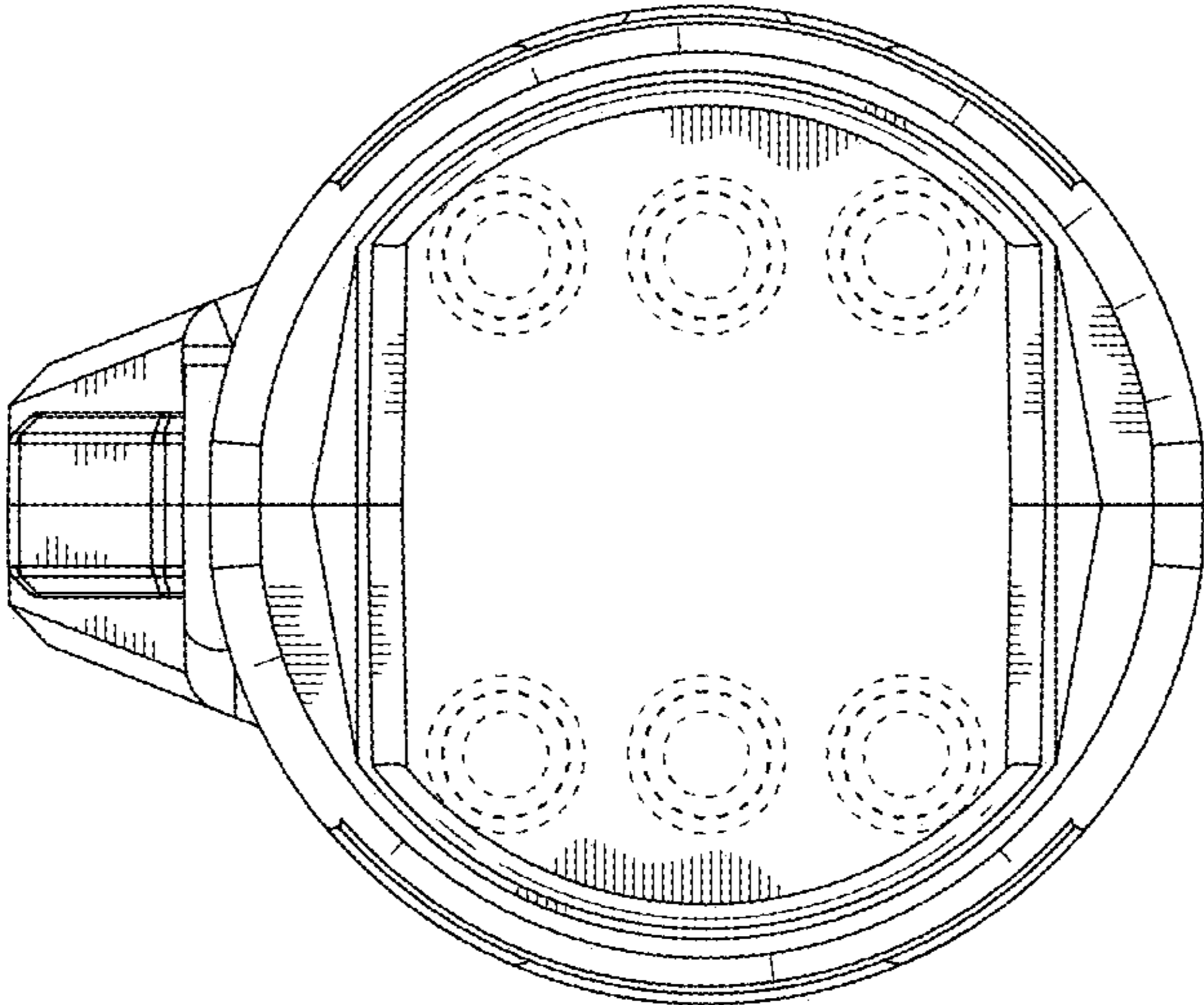


FIG. 4

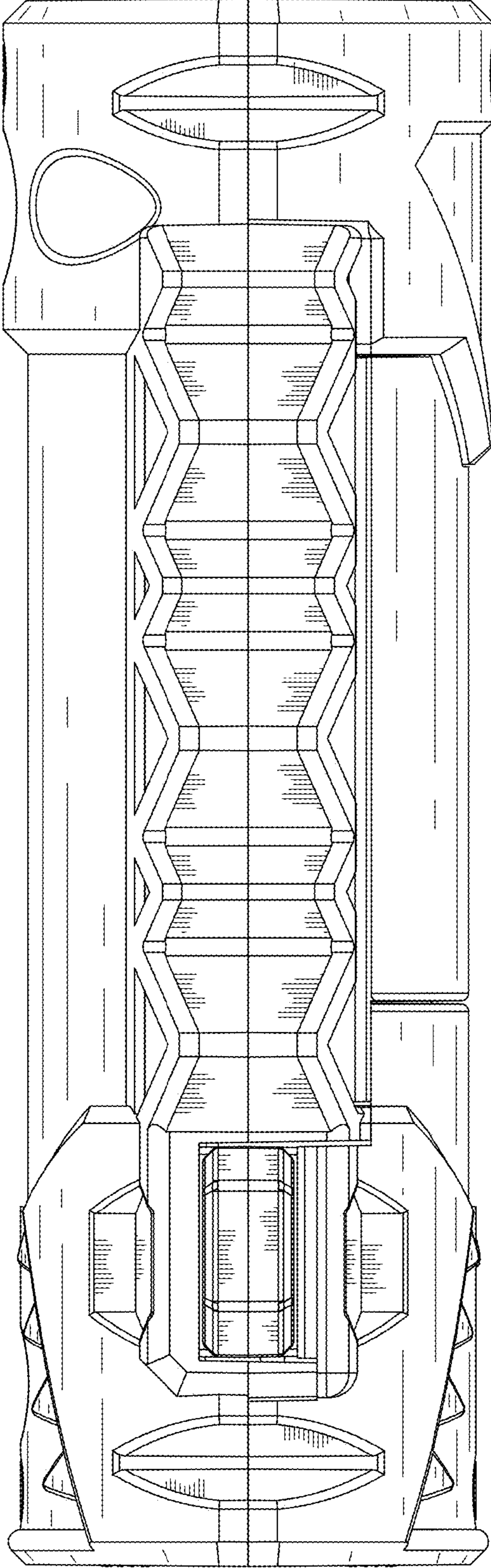


FIG. 5

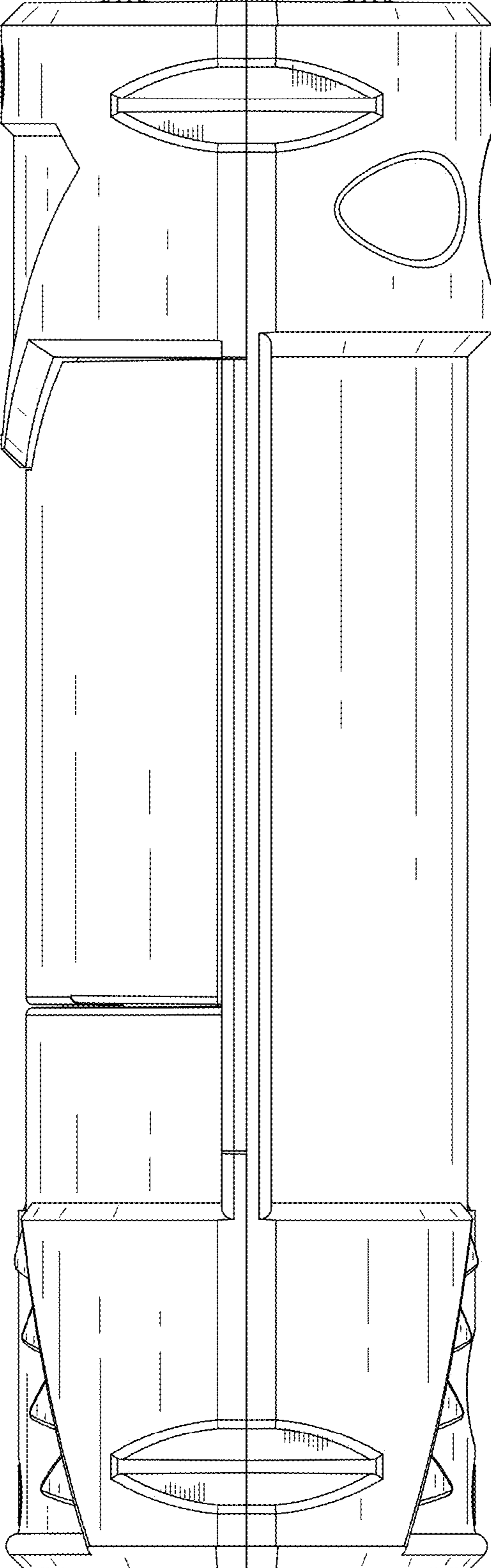


FIG. 6

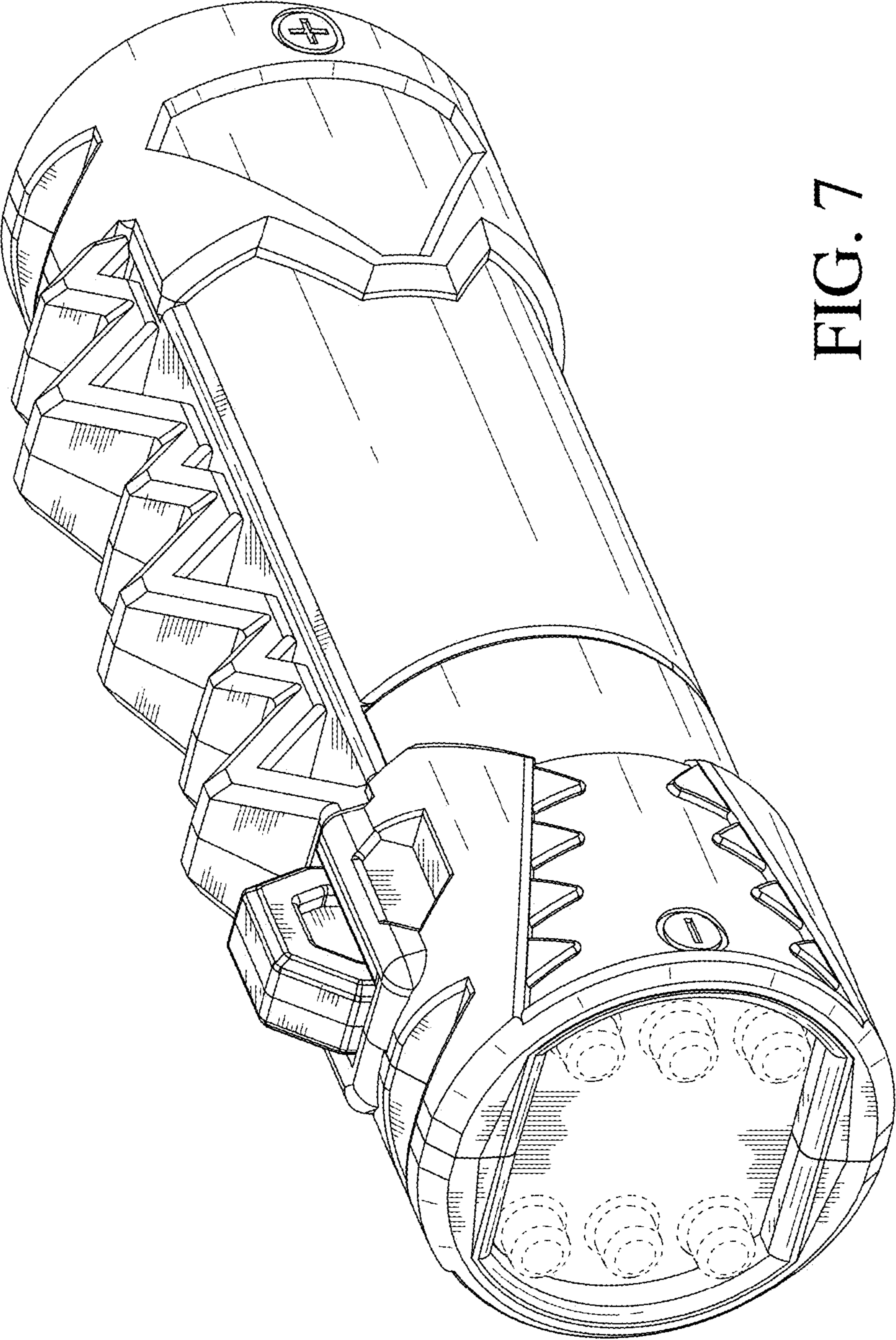


FIG. 7

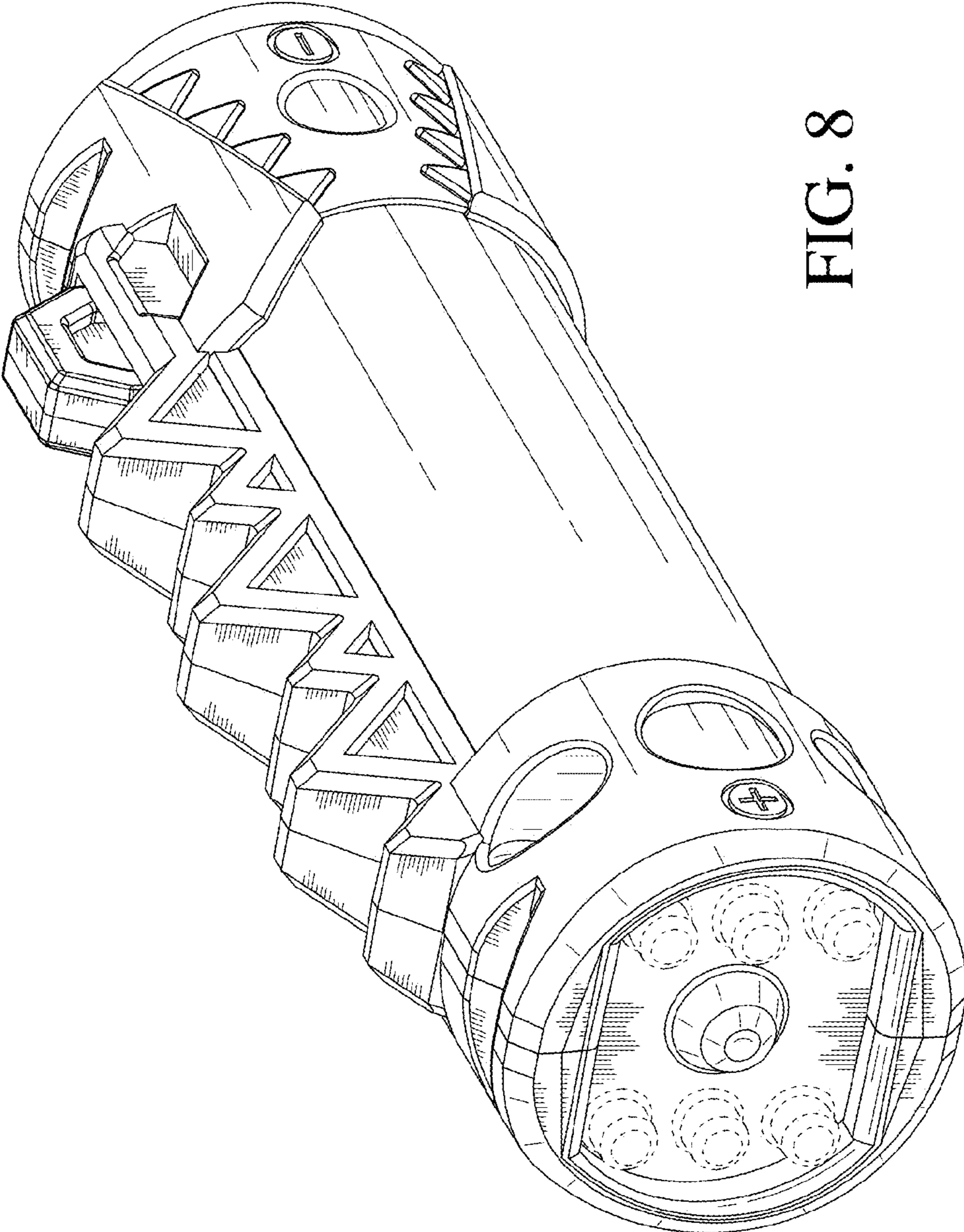


FIG. 8