



US00D704277S

(12) **United States Design Patent**
Cerny

(10) **Patent No.:** **US D704,277 S**

(45) **Date of Patent:** **** May 6, 2014**

(54) **SKILL TOY**

(71) Applicant: **Paul Cerny**, Rosenberg, TX (US)

(72) Inventor: **Paul Cerny**, Rosenberg, TX (US)

(**) Term: **14 Years**

(21) Appl. No.: **29/467,188**

(22) Filed: **Sep. 16, 2013**

(51) **LOC (10) Cl.** **21-01**

(52) **U.S. Cl.**
USPC **D21/465**

(58) **Field of Classification Search**

USPC D21/300–304, 309, 385, 398, 399, 400,
D21/441, 444, 453, 454, 455, 460, 461, 463,
D21/465, 466, 468, 471, 479, 481,
D21/576–661; 446/69, 71, 72, 236–266,
446/268, 308, 309, 315, 321, 323, 330, 338,
446/339, 359, 361, 379, 380, 382, 489,
446/490; 473/506, 514, 569, 575, 576;
273/329–337, 343, 348, 348.5, 355,
273/356, 359, 378, 398–401, 405, 412, 146,
273/147, 440, 447

See application file for complete search history.

(56) **References Cited**

U.S. PATENT DOCUMENTS

691,105 A * 1/1902 Bowes 473/508
884,387 A * 4/1908 Hettinger 273/335

1,527,532 A * 2/1925 Alcaraz 473/506
1,556,794 A * 10/1925 Manson 473/506
1,557,023 A * 10/1925 Chinn 446/359
D110,096 S * 6/1938 Leavenworth D20/31
2,166,115 A * 7/1939 Bergenn 473/508
D142,172 S * 8/1945 MacCallum D21/594
3,365,839 A * 1/1968 Luchsinger 446/137
4,583,651 A * 4/1986 Ostberg 215/228
D321,537 S * 11/1991 Aguilar D21/465
D343,864 S * 2/1994 Rebong D19/36
7,083,493 B2 * 8/2006 Heo 446/250

* cited by examiner

Primary Examiner — Catherine Tuttle

(74) *Attorney, Agent, or Firm* — Nick A Nichols, Jr.

(57) **CLAIM**

The ornamental design for a skill toy, as shown and described.

DESCRIPTION

FIG. 1 is a perspective view of a skill toy showing my new design;

FIG. 2 is a front elevation view thereof;

FIG. 3 is a rear elevation view thereof;

FIG. 4 is a left side elevation view thereof;

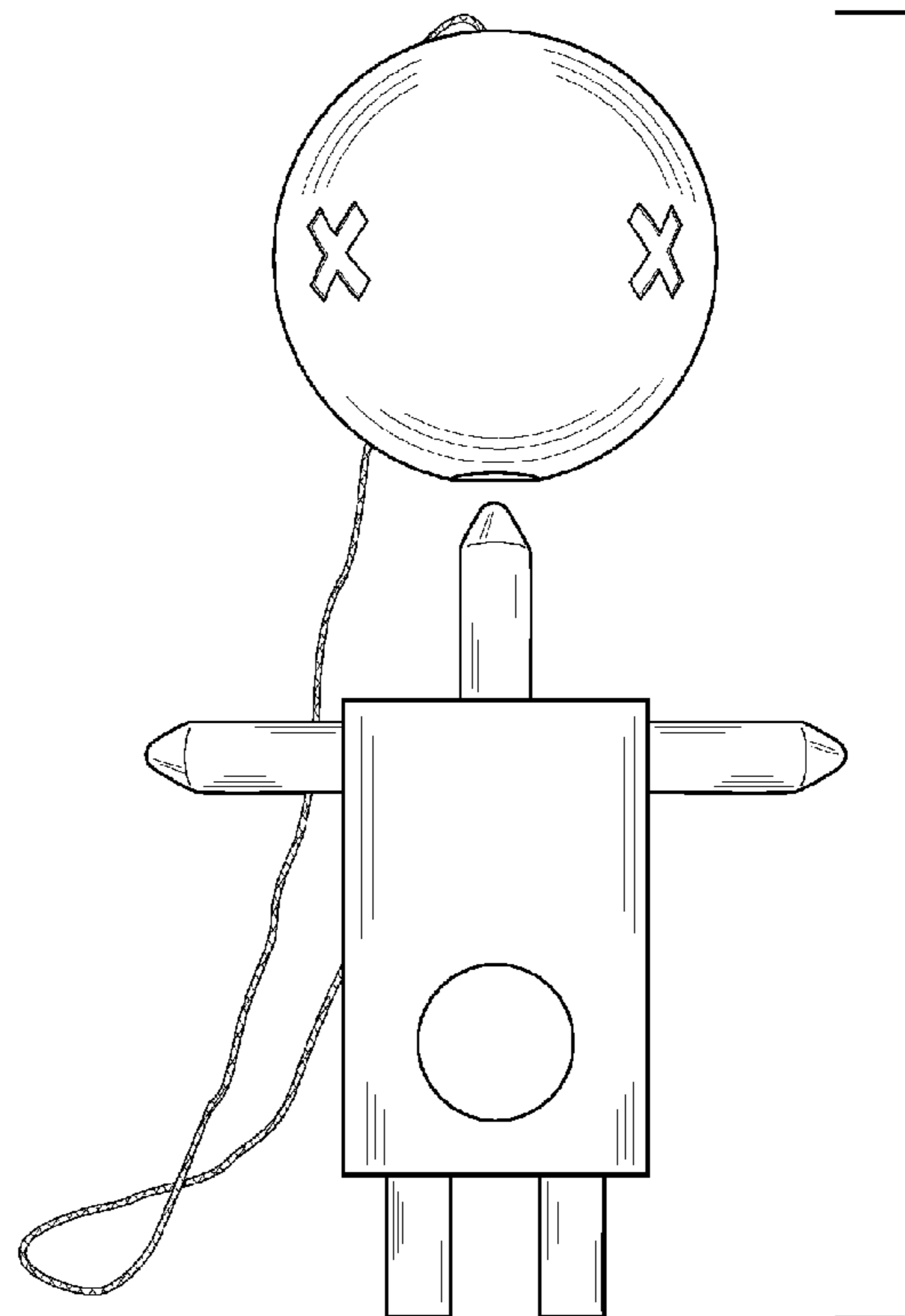
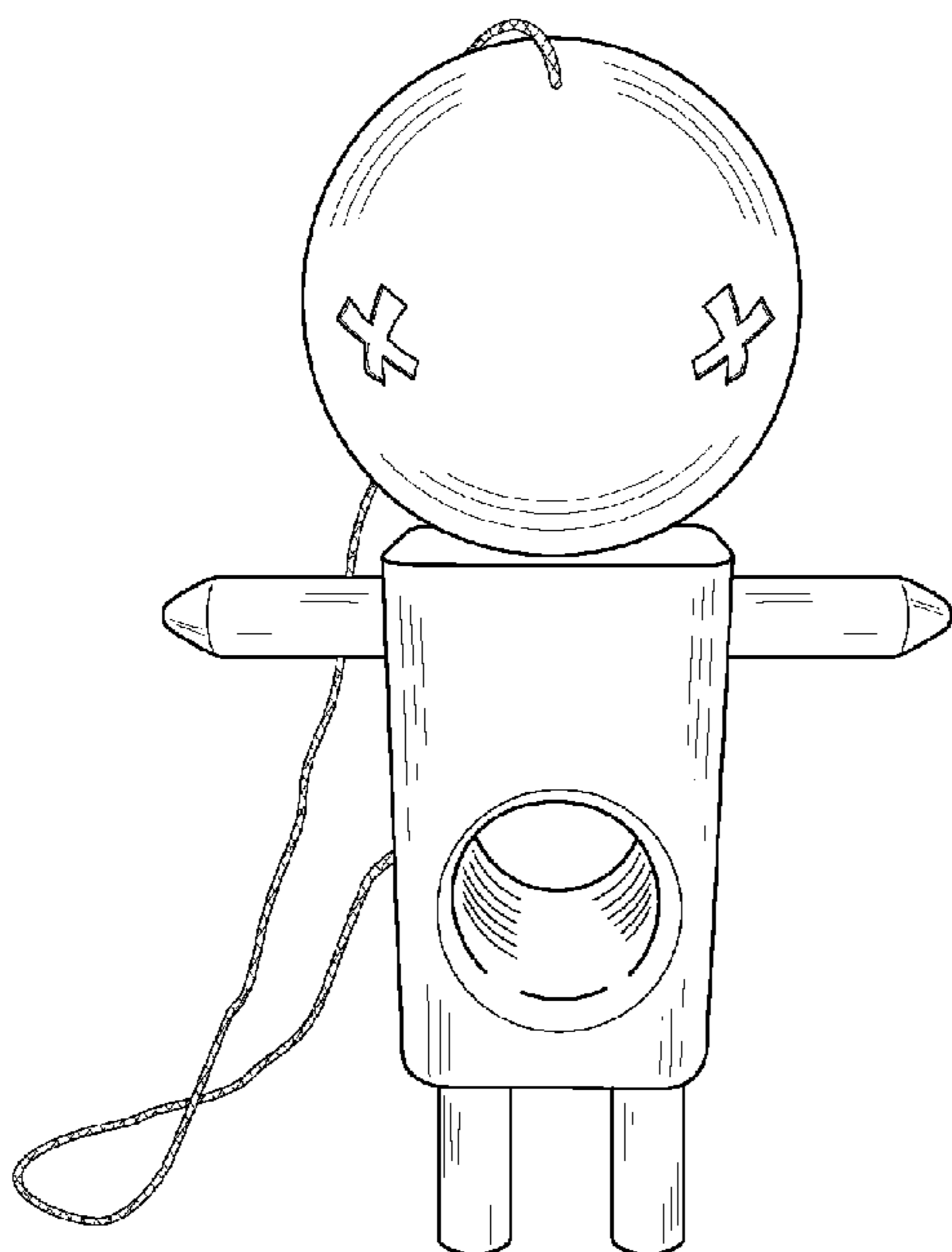
FIG. 5 is a right side elevation view thereof;

FIG. 6 is a top plan view thereof;

FIG. 7 is a bottom plan view thereof; and,

FIG. 8 is an exploded front elevation view thereof.

1 Claim, 4 Drawing Sheets



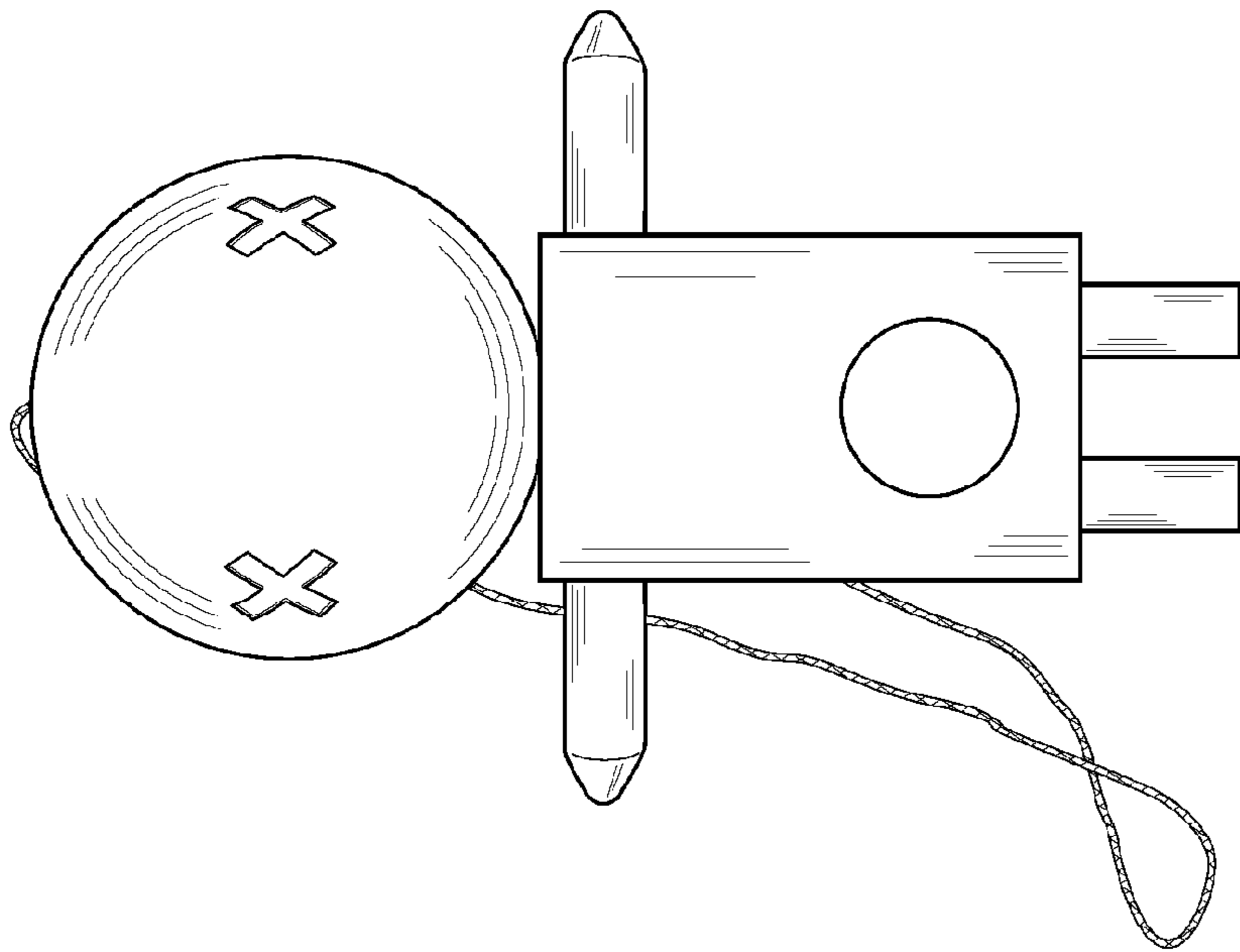


FIG. 2

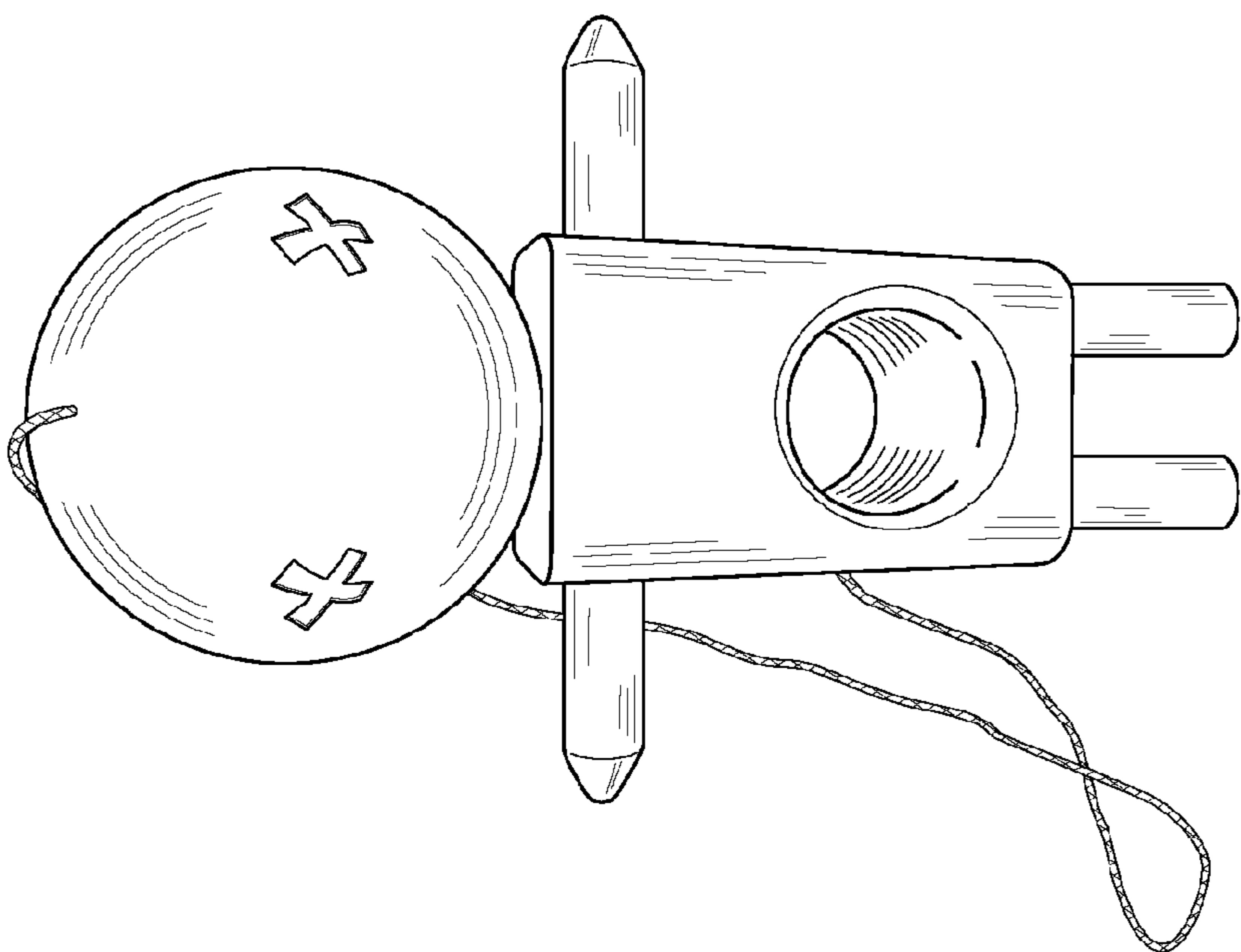


FIG. 1

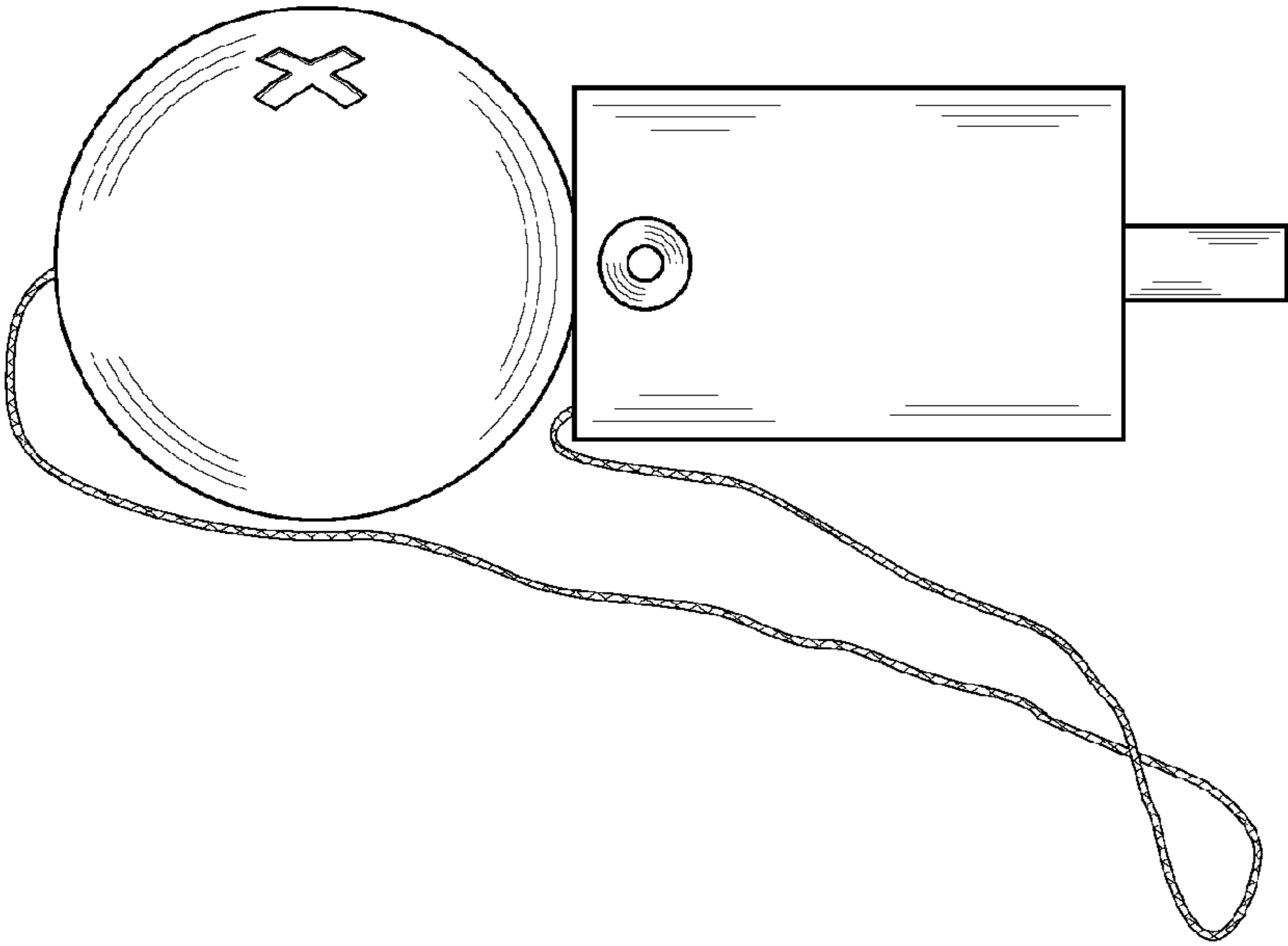


FIG. 4

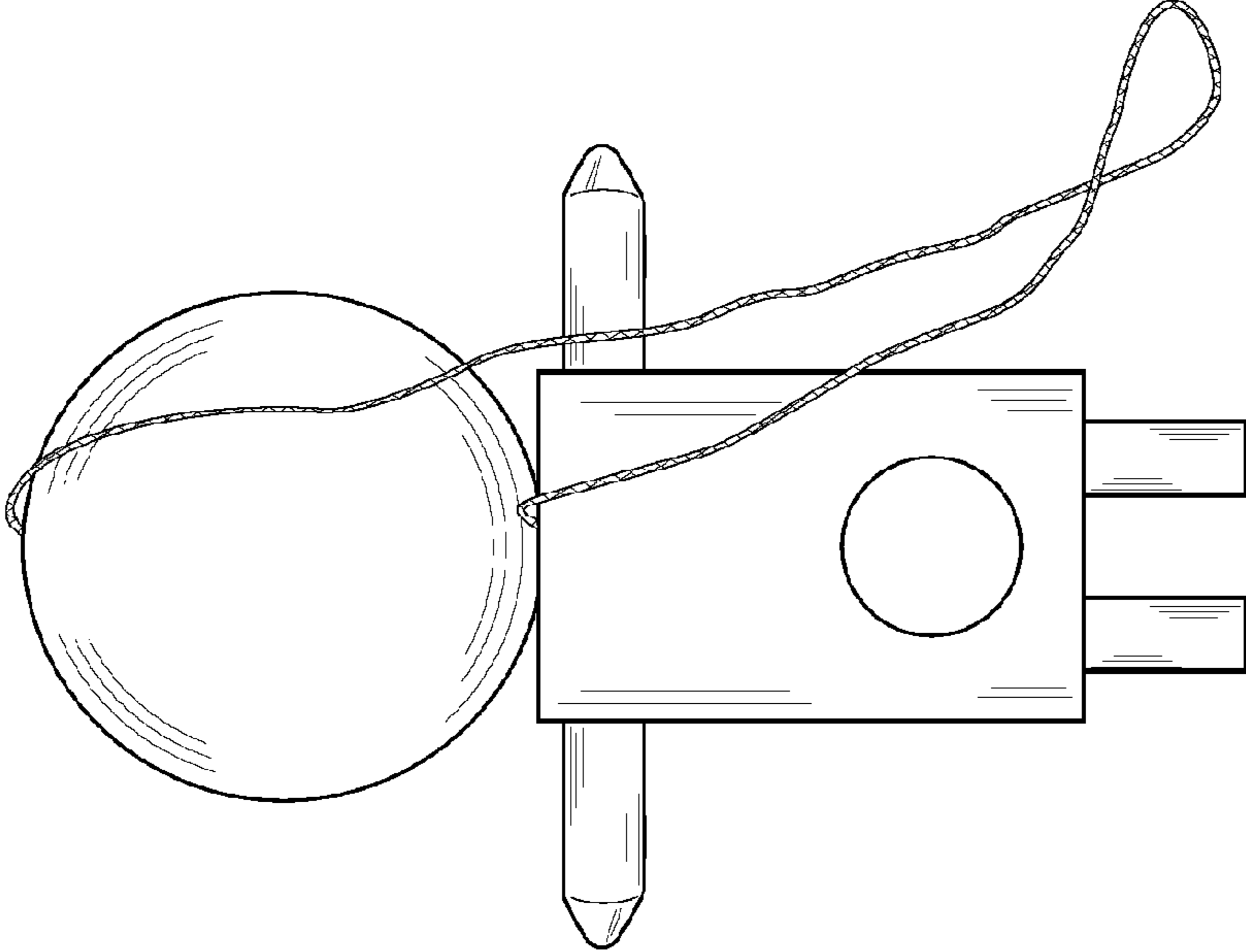


FIG. 3

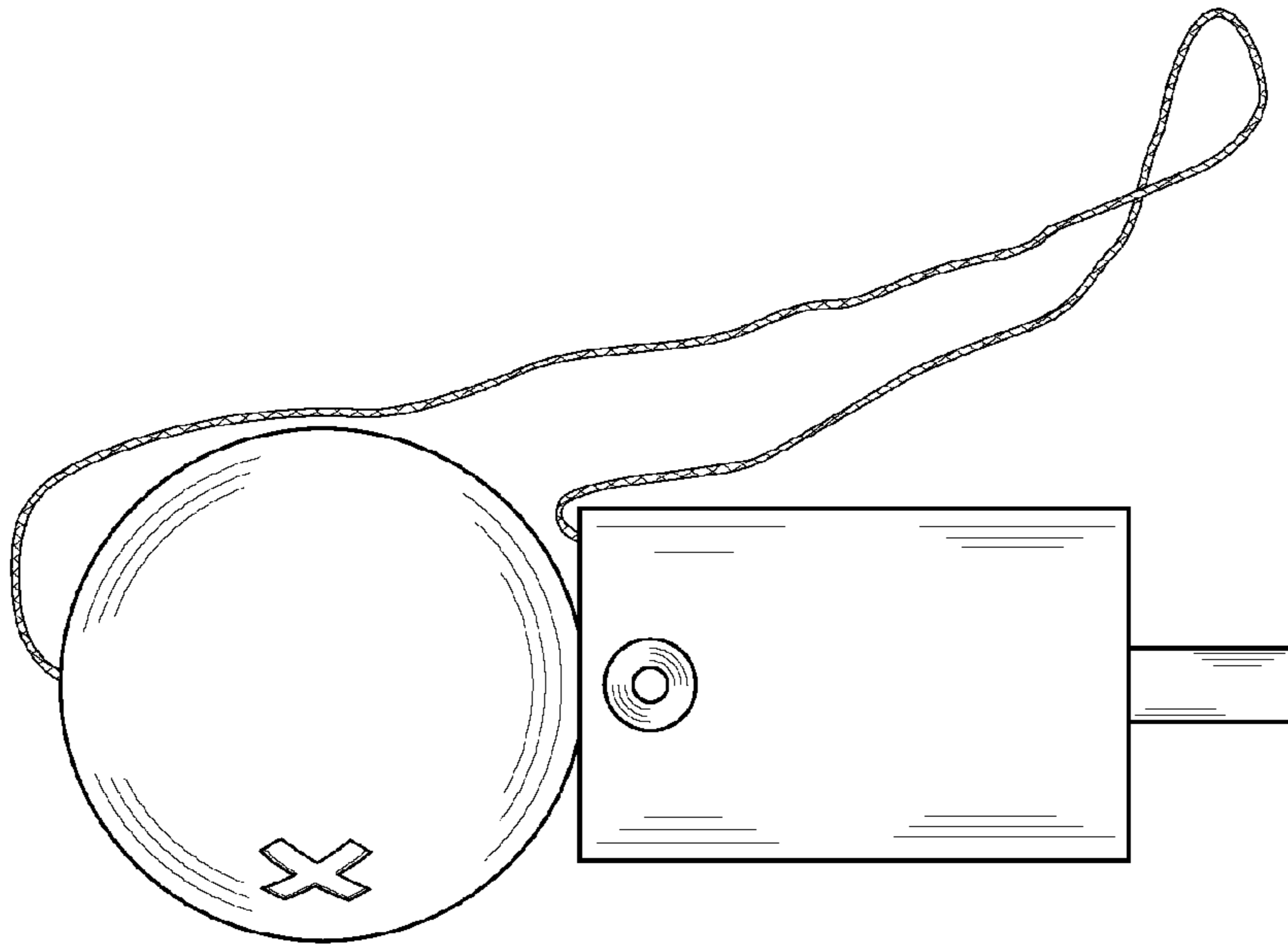


FIG. 5

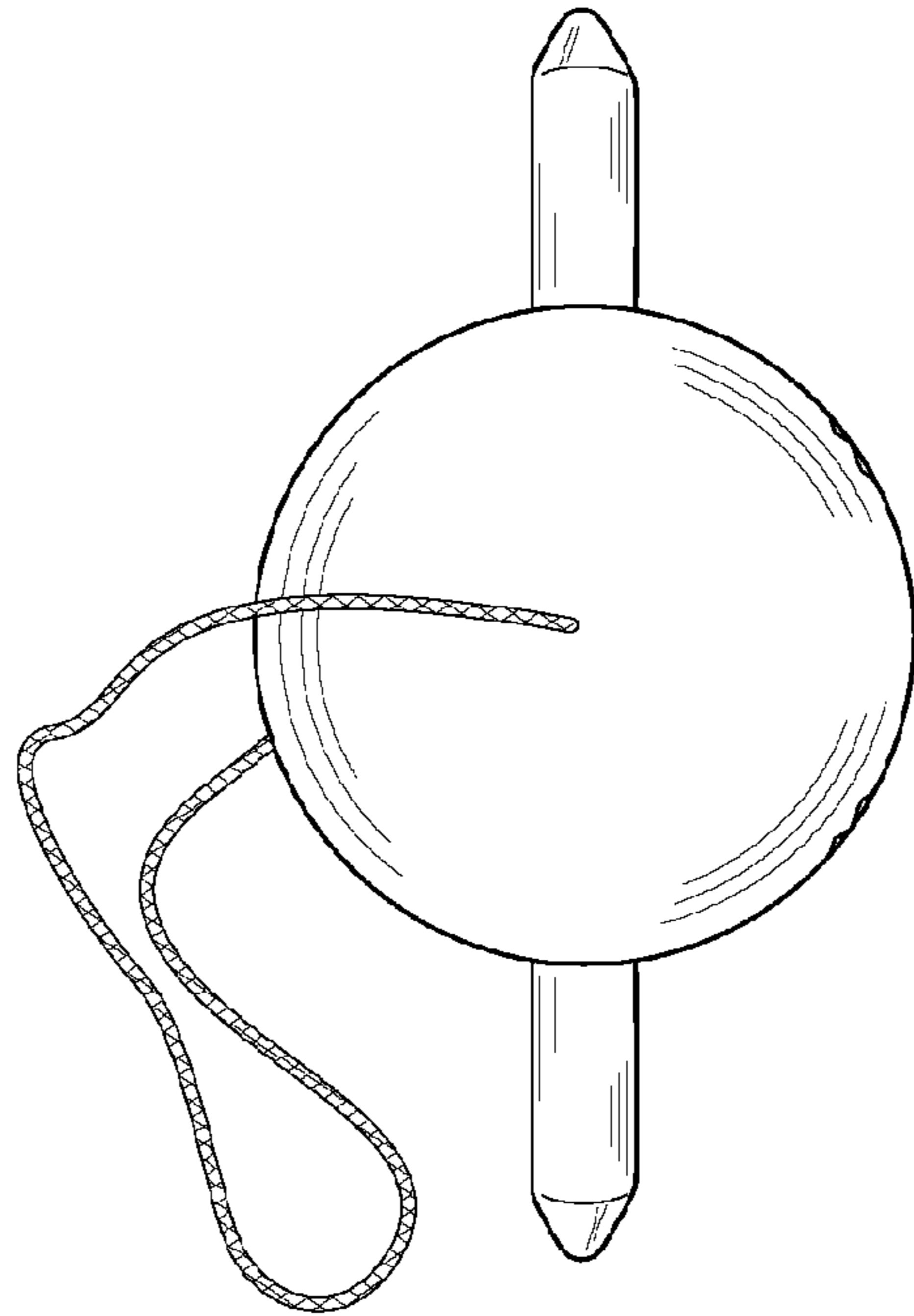


FIG. 6

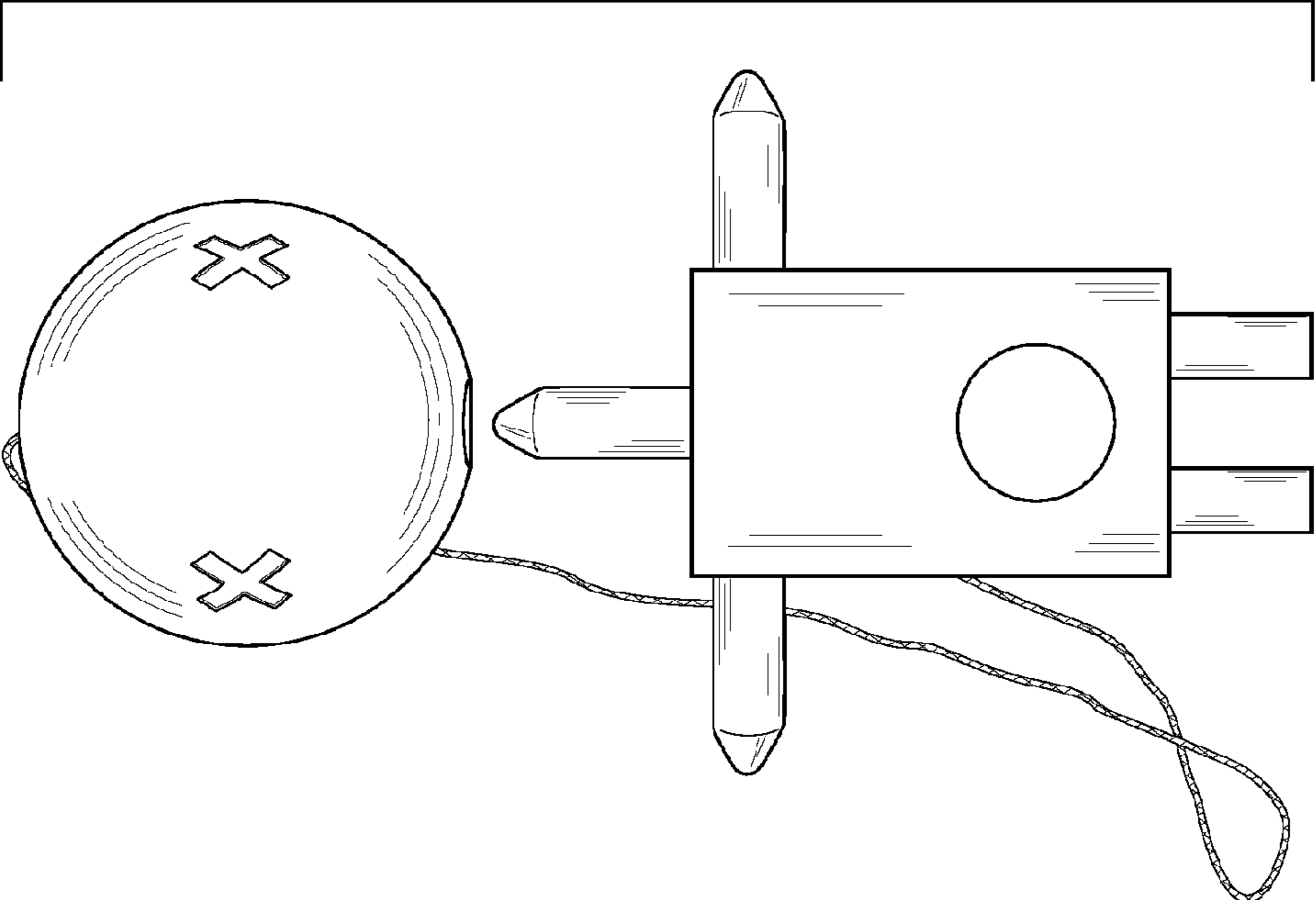


FIG. 8

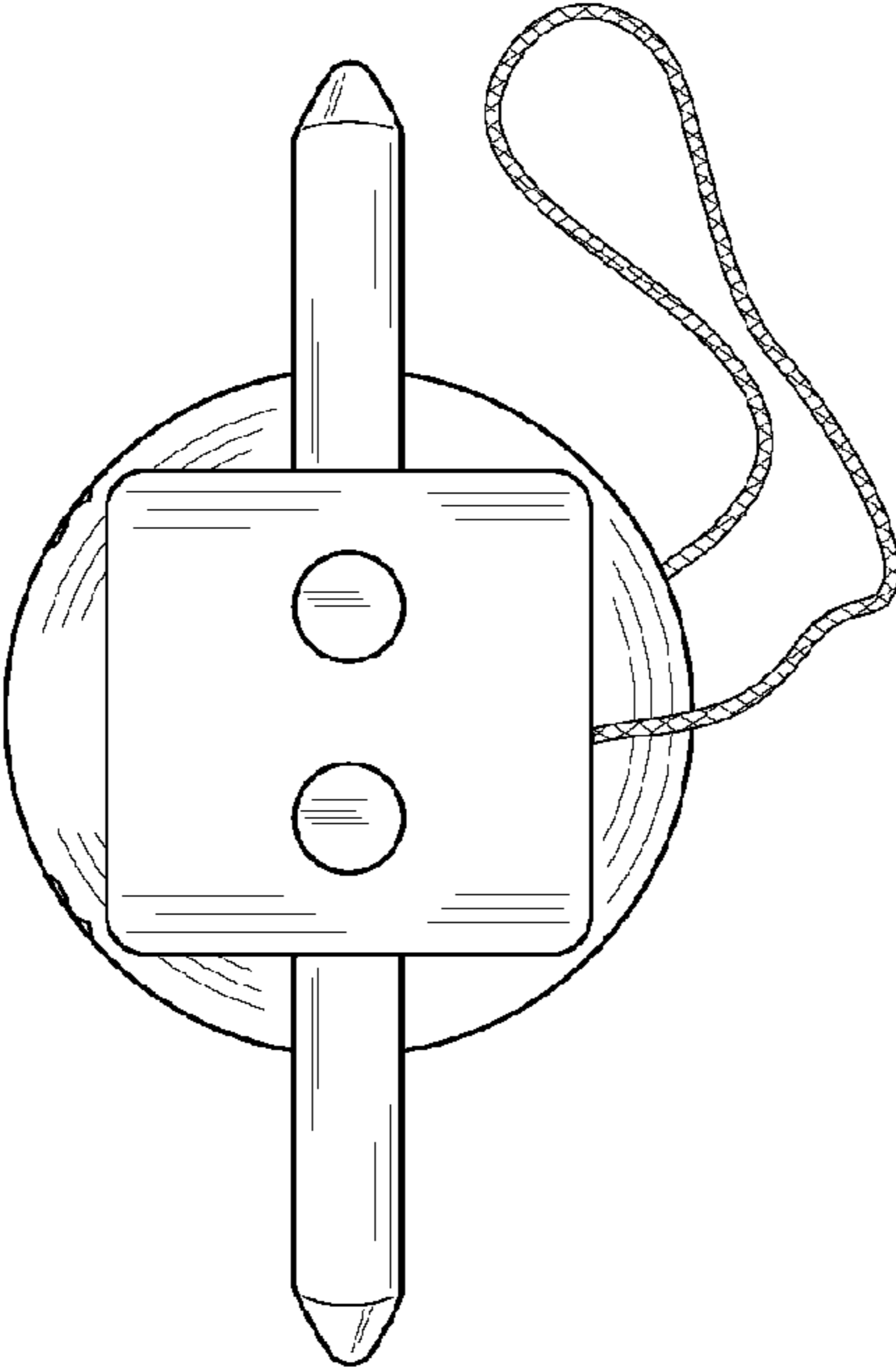


FIG. 7