



US00D704273S

(12) **United States Design Patent**
Chudek

(10) **Patent No.:** **US D704,273 S**

(45) **Date of Patent:** **** May 6, 2014**

(54) **GAMING MACHINE**
(71) Applicant: **WMS Gaming Inc.**, Waukegan, IL (US)
(72) Inventor: **Christopher W. Chudek**, Evanston, IL (US)

5,074,558 A 12/1991 Bleich et al. 273/121 A
5,083,738 A 1/1992 Infanti 248/500
5,091,677 A 2/1992 Bleich et al. 315/360
5,102,192 A 4/1992 Barile 297/257
5,110,120 A 5/1992 Smolucha 273/121 R

(Continued)

(73) Assignee: **WMS Gaming Inc.**, Waukegan, IL (US)
(**) Term: **14 Years**

FOREIGN PATENT DOCUMENTS

EP 649 671 A1 4/1995
JP 03210172 B2 2/1993

(21) Appl. No.: **29/433,170**

OTHER PUBLICATIONS

Product Sheet for "American Eagle," Eagle Co. Ltd., 2 pages, (1997).

(22) Filed: **Sep. 26, 2012**

(Continued)

(51) **LOC (10) Cl.** **21-03**

(52) **U.S. Cl.**
USPC **D21/369**; D21/385

Primary Examiner — Sandra Morris
(74) Attorney, Agent, or Firm — Nixon Peabody LLP

(58) **Field of Classification Search**
USPC D21/369–370, 385; 273/138.1, 268,
273/274; 463/16–17, 20, 46–47
See application file for complete search history.

(57) **CLAIM**
The ornamental design for a "gaming machine," as shown and described.

DESCRIPTION

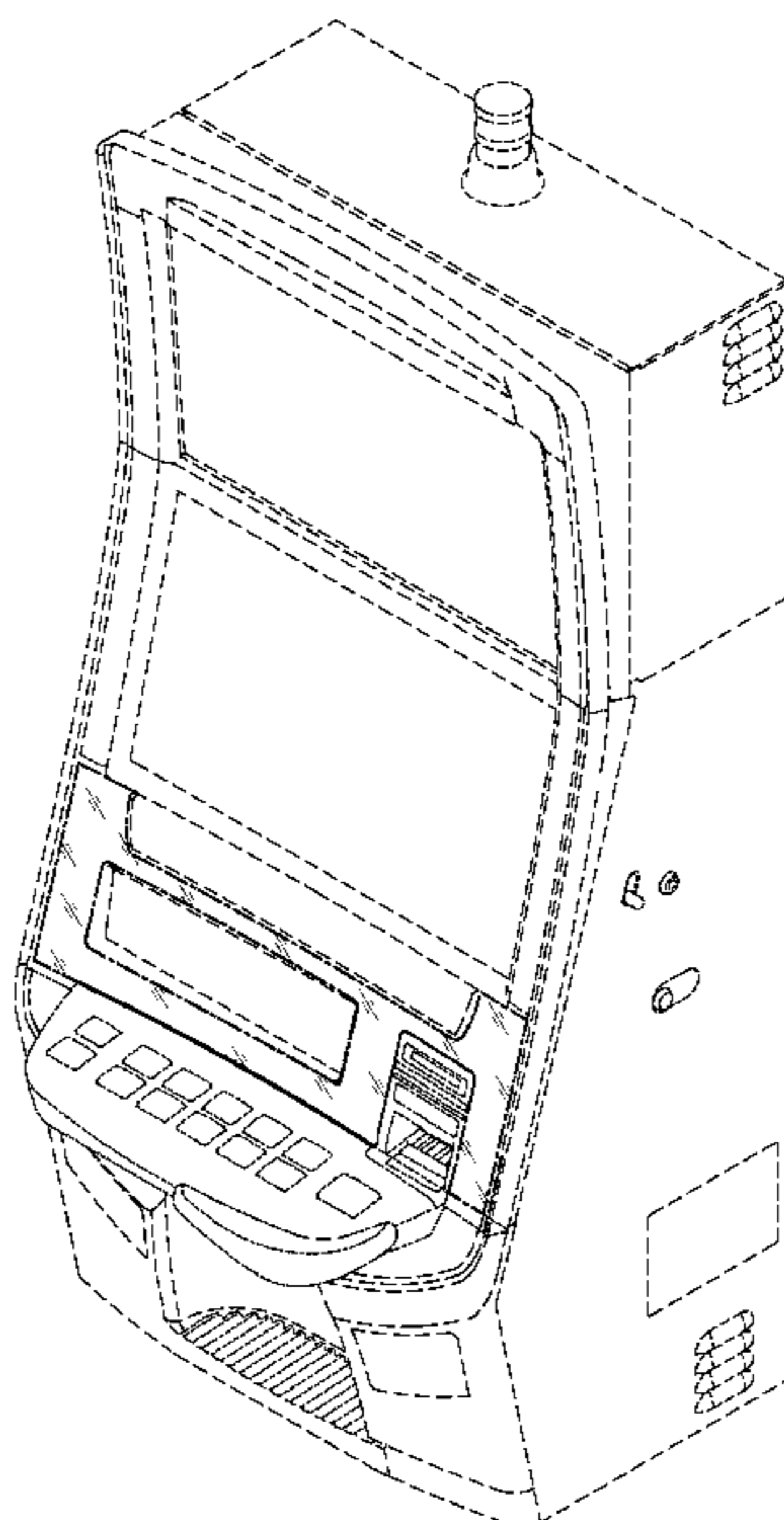
(56) **References Cited**

U.S. PATENT DOCUMENTS

2,661,954 A	12/1953	Koci	463/57
D236,720 S	9/1975	Baker	D21/370
4,046,419 A	9/1977	Schmitt	297/153
D264,485 S	5/1982	Kitchen	D21/370
4,373,725 A	2/1983	Ritchie	273/121
D275,772 S	10/1984	Akopian et al.	D21/13
D280,835 S	10/1985	Berge et al.	D21/13
D280,836 S	10/1985	Ludzia et al.	D21/13
4,606,545 A	8/1986	Ritchie	273/121
4,705,274 A	11/1987	Lubeck	273/148
4,840,343 A	6/1989	Gasser	248/500
4,861,037 A	8/1989	Oursler	273/121 D
4,960,117 A	10/1990	Moncrief et al.	463/46
4,981,298 A	1/1991	Lawlor et al.	273/121 A
D315,110 S	3/1991	Slater	D10/88
5,015,189 A	5/1991	Wenzinger et al.	434/63

FIG. 1 is an isometric view of a gaming machine.
FIG. 2 is a front view of the gaming machine shown in FIG. 1.
FIG. 3 is a right view of the gaming machine shown in FIG. 1.
FIG. 4 is a top view of the gaming machine shown in FIG. 1;
and,
FIG. 5 is an enlarged view of a button area shown in FIG. 1.
The broken lines are only for illustrative purposes to show visible environmental structure and form no part of the claimed design.
The boundary lines shown in dot-dash form do not exist in reality in the gaming machine embodying the design and are only for illustrative purposes to show bounds of the claimed design. It is understood that the claimed design extends to the boundary but does not include the boundary.

1 Claim, 3 Drawing Sheets



(56)

References Cited

U.S. PATENT DOCUMENTS

- 5,114,112 A 5/1992 Infanti 248/500
5,120,058 A 6/1992 Trudeau et al. 773/121 R
5,123,647 A 6/1992 Lawlor et al. 273/121 A
5,143,055 A 9/1992 Eakin 601/47
5,149,094 A 9/1992 Tastad 273/121 A
D333,164 S 2/1993 Kraft et al. D21/325
5,193,807 A 3/1993 Schilling et al. 273/121 R
5,195,746 A 3/1993 Boyd et al. 463/37
D335,150 S 4/1993 Biagi et al. D21/48
5,226,653 A 7/1993 Bil et al. 273/121 A
5,232,191 A 8/1993 Infanti 248/500
5,290,034 A 3/1994 Hineman 273/148
5,297,793 A 3/1994 DeMar et al. 273/129 V
5,316,303 A 5/1994 Trudeau et al. 273/121 A
5,322,283 A 6/1994 Ritchie et al. 273/177
5,326,104 A 7/1994 Pease et al. 273/138 A
5,350,174 A 9/1994 Ritchie et al. 273/121 A
D351,869 S 10/1994 Rothschild et al. D21/37
5,351,954 A 10/1994 Oursler et al. 273/127 R
5,357,104 A 10/1994 Bleich 250/229
5,358,241 A 10/1994 Anghelo et al. 273/118 R
5,358,242 A 10/1994 Trudeau et al. 273/119 R
5,358,243 A 10/1994 Eddy et al. 273/121 D
D352,738 S 11/1994 Anghelo et al. D21/13
5,383,663 A 1/1995 Anghelo et al. 273/118 R
5,405,144 A 4/1995 Ritchie et al. 273/121 A
5,409,296 A 4/1995 Barile 297/344.1
5,411,257 A 5/1995 Fulton 273/85
5,415,402 A 5/1995 Morrison et al. 273/121 A
5,415,403 A 5/1995 Ritchie et al. 273/121 A
5,417,425 A 5/1995 Oursler et al. 273/127 R
5,437,453 A 8/1995 Hineman 273/148
5,465,963 A 11/1995 Patla, Sr. 273/118 R
5,472,197 A 12/1995 Gwiasda et al. 273/143 R
5,494,286 A 2/1996 DeMar et al. 273/121 A
5,507,488 A 4/1996 Eddy et al. 273/127 R
5,511,783 A 4/1996 Popadiuk 273/118 R
5,516,103 A 5/1996 Lawlor et al. 273/127 R
5,522,641 A 6/1996 Infanti 297/344.13
5,524,887 A 6/1996 Trudeau et al. 273/129 S
5,533,726 A 7/1996 Nordman et al. 273/119 R
5,542,748 A 8/1996 Barlie 297/463.1
D376,391 S 12/1996 Okumura D21/326
5,580,052 A 12/1996 Popadiuk et al. 273/127 R
5,632,482 A 5/1997 Anghelo 273/121 R
D380,014 S 6/1997 Yang D21/370
5,655,965 A 8/1997 Takemoto et al. 463/20
5,664,777 A 9/1997 Nordman et al. 273/127 R
5,669,818 A 9/1997 Thorner et al. 463/30
5,678,886 A 10/1997 Infanti 297/217.3
5,697,612 A 12/1997 Piotrowski et al. 273/127 R
5,704,835 A 1/1998 Dietz, II 463/20
5,707,059 A 1/1998 Sullivan et al. 273/121 A
5,720,480 A 2/1998 Lawlor et al. 273/118 A
D395,436 S 6/1998 Scott et al. D21/38
5,762,617 A 6/1998 Infanti 601/49
5,791,731 A 8/1998 Infanti 297/217.3
5,806,851 A 9/1998 Gomez et al. 273/121 A
5,820,460 A 10/1998 Fulton 463/13
5,833,236 A 11/1998 Oursler et al. 273/127 R
D405,473 S 2/1999 Tikhonski et al. D20/42
D407,759 S 4/1999 Isetani et al. D21/326
D408,366 S 4/1999 Popadiuk D13/58
5,890,715 A 4/1999 Gomez et al. 273/118 R
5,899,454 A 5/1999 Eddy et al. 273/127 C
5,924,690 A 7/1999 Kopera et al. 273/127 R
5,934,672 A 8/1999 Sines et al. 273/143 R
5,938,195 A 8/1999 Anghelo et al. 273/127 D
5,944,309 A 8/1999 Popadiuk et al. 273/121 A
5,984,782 A 11/1999 Inoue 463/20
6,000,697 A 12/1999 Popadiuk et al. 273/118 R
D419,201 S 1/2000 De Haas D21/370
D419,606 S 1/2000 Toriyama D21/325
6,036,188 A 3/2000 Gomez et al. 273/118 R
6,047,962 A 4/2000 Popadiuk 273/119 A
6,047,963 A 4/2000 Pierce et al. 273/143 R
D424,122 S 5/2000 Dickenson et al. D21/325
6,071,190 A 6/2000 Weiss et al. 463/25
D428,062 S 7/2000 Hayashi D21/325
6,089,663 A 7/2000 Hill 297/258.1
6,102,394 A 8/2000 Wurz et al. 273/138.2
6,113,097 A 9/2000 Krutsch et al. 273/118 A
6,117,010 A 9/2000 Canterbury et al. 463/20
6,120,021 A 9/2000 Piotrowski et al. 273/118 R
6,129,353 A 10/2000 DeMar et al. 273/119 R
6,129,355 A 10/2000 Hahn et al. 273/142 R
6,135,449 A 10/2000 Cornell et al. 273/119 R
6,135,562 A 10/2000 Infanti 297/440.2
6,149,153 A 11/2000 Sheats, Jr. 273/129 V
6,155,565 A 12/2000 Gomez et al. 273/118 R
6,155,925 A 12/2000 Giobbi et al. 463/20
6,158,737 A 12/2000 Cornell et al. 273/118 R
6,159,098 A 12/2000 Slomiany et al. 463/25
6,164,644 A 12/2000 Cornell et al. 273/118 R
6,173,955 B1 1/2001 Perrie et al. 273/146
6,199,861 B1 3/2001 Hume et al. 273/118 R
D439,931 S 4/2001 Yamaguchi D21/369
6,210,279 B1 4/2001 Dickinson 463/37
6,224,482 B1 5/2001 Bennett 463/20
6,227,614 B1 5/2001 Rubin 297/172
6,227,970 B1 5/2001 Shimizu et al. 463/20
D443,313 S 6/2001 Brettschneider D21/369
D446,252 S 8/2001 Yamaguchi D21/325
6,283,546 B1 9/2001 Hill 297/271.1
6,290,229 B1 9/2001 Perez 273/148
D450,094 S 11/2001 Hedrick et al. D21/369
6,334,612 B1 1/2002 Wurz et al. 273/143 R
6,354,660 B1 3/2002 Friedrich 297/217.1
D459,402 S 6/2002 Wurz et al. D21/325
6,422,670 B1 7/2002 Hedrick et al. 312/223.1
6,422,941 B1 7/2002 Thorner et al. 463/30
6,439,993 B1 8/2002 O'Halloran 463/16
D463,504 S 9/2002 Stephan D21/325
D464,377 S 10/2002 Wurz et al. D21/325
D465,813 S 11/2002 Randall D21/370
D466,160 S 11/2002 Hirato et al. D21/325
D467,977 S 12/2002 Gatto et al. D21/326
D468,364 S 1/2003 Beadell et al. D21/325
6,530,842 B1 3/2003 Wells et al. 463/46
6,530,872 B2 3/2003 Frehland et al. 494/49
6,572,187 B2 6/2003 Laufer 297/217.1
6,589,114 B2 7/2003 Bradley 463/20
6,609,972 B2 8/2003 Seelig 463/20
6,616,142 B2 9/2003 Adams 273/292
6,620,047 B1 9/2003 Alcorn et al. 463/37
D481,078 S 10/2003 Stephan D21/369
6,646,695 B1 11/2003 Gauselmann 349/58
D483,075 S 12/2003 Kang D21/326
D484,548 S 12/2003 Franco Muñoz et al. D21/370
D485,583 S 1/2004 Porto D21/369
6,715,756 B2 4/2004 Inoue 273/138
6,729,618 B1 5/2004 Koenig et al. 273/138.2
D492,363 S 6/2004 Seelig et al. D21/370
D492,364 S 6/2004 Seelig et al. D21/370
D492,365 S 6/2004 Muñoz et al. D21/370
D492,676 S 7/2004 Monson et al. D14/306
D493,843 S 8/2004 Jackson et al. D21/327
D493,846 S 8/2004 Seelig et al. D21/370
D495,754 S 9/2004 Wurz et al. D21/370
D495,755 S 9/2004 Wurz et al. D21/370
D498,267 S 11/2004 Crouch D21/370
D500,098 S 12/2004 Doi D21/477
6,880,825 B2 4/2005 Seelig et al. 273/143 R
D508,268 S 8/2005 Hanchar et al. D21/369
D508,269 S 8/2005 Wichinsky D21/369
D508,719 S 8/2005 de Haas D21/369
D508,961 S 8/2005 Gatto et al. D21/369
D509,254 S 9/2005 Rasmussen et al. D21/369
D512,105 S 11/2005 Chitrapongse et al. D21/370
6,997,810 B2 2/2006 Cole 463/46
7,063,615 B2 6/2006 Alcorn et al. 463/1
7,108,237 B2 9/2006 Gauselmann 248/220.22
D531,677 S 11/2006 Mallory et al. D21/369
7,184,277 B2 2/2007 Beirne 361/807

(56)

References Cited

U.S. PATENT DOCUMENTS

D539,854 S 4/2007 Luciano et al. D21/369
 D549,785 S 8/2007 Luciano, Jr. et al. D21/370
 7,267,612 B2 9/2007 Alcorn et al. 463/16
 D559,328 S 1/2008 Rasmussen et al. D21/333
 D559,917 S 1/2008 Cole et al. D21/369
 D560,724 S 1/2008 Johnson D21/370
 D560,725 S 1/2008 Johnson D21/370
 D563,326 S 3/2008 Patel et al. D13/164
 D563,481 S 3/2008 Looks et al. D21/370
 D564,600 S 3/2008 Greenberg et al. D21/370
 D564,601 S 3/2008 Strahinic et al. D21/370
 D566,197 S 4/2008 Greenberg et al. D21/370
 D572,314 S 7/2008 Vallejo et al. D21/370
 D578,168 S 10/2008 Looks et al. D21/369
 D581,983 S 12/2008 Bergstrom D20/2
 RE40,625 E 1/2009 Wurz et al. D21/325
 RE40,671 E 3/2009 Wurz et al. D21/325
 7,503,849 B2 3/2009 Hornik et al. 463/20
 D590,025 S * 4/2009 Fiore D21/370
 D594,068 S * 6/2009 Hsu D21/370
 D599,858 S 9/2009 Lesley et al. D21/370
 D599,859 S 9/2009 Lesley et al. D21/370
 D599,860 S 9/2009 Lesley et al. D21/385
 D604,368 S 11/2009 Lesley et al. D21/370
 7,628,693 B2 12/2009 Thomas 463/20
 7,686,689 B2 3/2010 Thomas 463/27
 D615,598 S 5/2010 McComb et al. D21/370
 7,713,119 B2 5/2010 Pacey et al. 463/20
 D622,780 S 8/2010 Lesley et al. D21/369
 D622,781 S 8/2010 Lesley et al. D21/369
 D622,782 S 8/2010 Chudek et al. D21/385
 D626,183 S * 10/2010 Cole et al. D21/370
 7,811,167 B2 10/2010 Giobbi et al. 463/24
 D637,238 S * 5/2011 O'Keene et al. D21/370
 7,955,176 B2 * 6/2011 Tastad et al. 463/46
 7,976,393 B2 7/2011 Haga et al. 463/46
 7,985,139 B2 7/2011 Lind et al. 463/46
 8,002,424 B2 8/2011 Hwang et al. 362/125
 8,002,626 B2 8/2011 Englman 463/20
 D646,337 S 10/2011 Kelly et al. D21/370
 D649,605 S 11/2011 Terpstra et al. D21/370
 8,152,623 B2 4/2012 Fiden 463/20
 8,162,740 B2 4/2012 Aoki 463/20
 8,216,061 B2 7/2012 Pacey 463/25
 8,267,764 B1 9/2012 Aoki et al. 463/16
 8,292,451 B2 10/2012 Hwang et al. 362/125
 8,303,420 B2 11/2012 Chudek et al. 463/46
 8,323,114 B2 12/2012 Burak et al. 463/46
 8,353,755 B2 1/2013 Vann et al. 463/20
 8,371,920 B2 2/2013 Gomez et al. 463/17
 8,371,927 B2 2/2013 Englman 463/20

8,371,928 B2 2/2013 Englman et al. 463/20
 8,376,832 B2 2/2013 O'Connor et al. 463/20
 8,430,756 B2 4/2013 McComb et al. 463/46
 D685,033 S 6/2013 Wudtke D21/370
 2002/0041069 A1 4/2002 Steelman 273/138.1
 2003/0122973 A1 7/2003 Huang 348/836
 2004/0018877 A1 1/2004 Tastad et al. 463/46
 2004/0053662 A1 3/2004 Pacey 463/16
 2005/0014547 A1 1/2005 Gomez et al. 463/16
 2006/0009284 A1 1/2006 Schwartz et al. 463/30
 2006/0079316 A1 4/2006 Flemming et al. 463/25
 2006/0131810 A1 6/2006 Nicely 273/292
 2006/0183553 A1 8/2006 Kiriya et al. 463/46
 2006/0199638 A1 9/2006 Walker et al. 463/30
 2006/0281559 A1 12/2006 Luciano 463/46
 2006/0287111 A1 12/2006 Mitchell et al. 463/46
 2008/0039213 A1 2/2008 Cornell et al. 463/46
 2008/0051202 A1 2/2008 Lube 463/46
 2012/0122569 A1 5/2012 Kowolik et al. 463/30

OTHER PUBLICATIONS

Product Sheet for "Monopoly Chairman of the Board™," WMS Gaming Inc. 2 pages (1999).
 Product Sheet for "American Eagle," Eagle Co., Ltd., 2 pages (2000).
 Product Sheet for "Survivor," WMS Gaming Inc., 4 pages, (2001).
 Product Sheet for "ProSLOT® 6000," Bally Gaming Systems, 4 pages, (2002).
 Product Sheet for "EVO™ Hybrid," Bally Gaming Systems, 4 pages, (2002).
 Product Sheet for "3RV™," WMS Gaming Inc., 2 pages, (2002 or earlier).
 Product Sheet for "Miss America," AC Coin & Slot, 2 pages (2002 or earlier).
 Product Sheet for "Ultrapin™," Global VR, 1 page (2007).
 Brochure for "Virtual Pinball," Tab-Austria, 8 pages (2007).
 Product Catalog for Ainsworth Game Technology Ltd, date estimated as early as 2007 (6 pages).
 Catalog for Atronic®-Spielo®, date estimated as early as 2008 (2 pages).
 Product Catalog for "Alpha Elite™," Bally Technologies, date estimated as early as 2008-2009 (2 pages).
 Cabinet Brochure for Hydako Co., date estimated as early as 2009 (1 page).
 Product Catalog for Bally Technologies, date estimated as early as 2010 (2 pages).
 Fall & Winter Catalog for Aristocrat, date estimated as early as 2010-2011 (7 pages).
 Catalog for "Your Partner Innovation," Bally Technologies, date estimated as early as 2011 (4 pages).

* cited by examiner

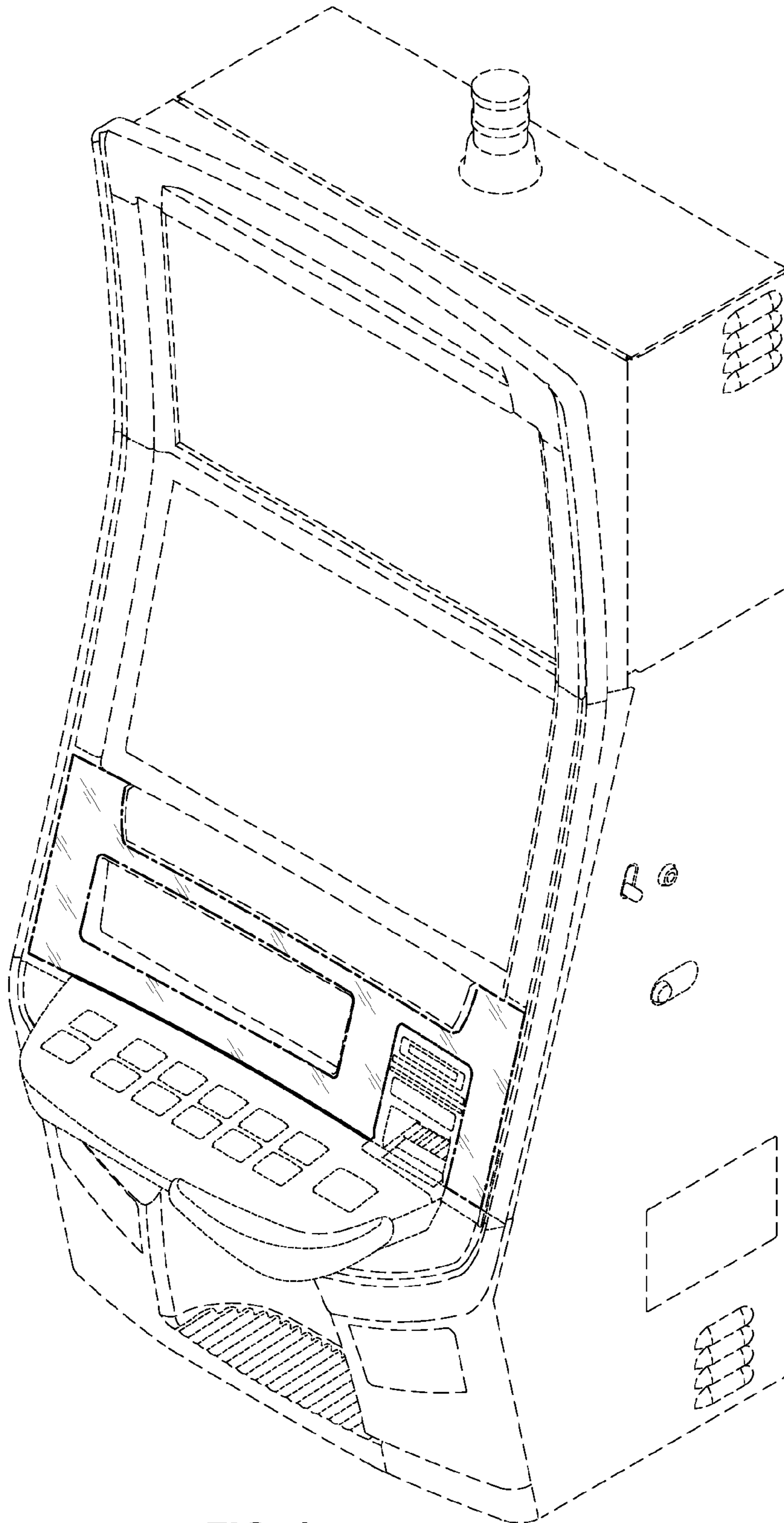


FIG. 1

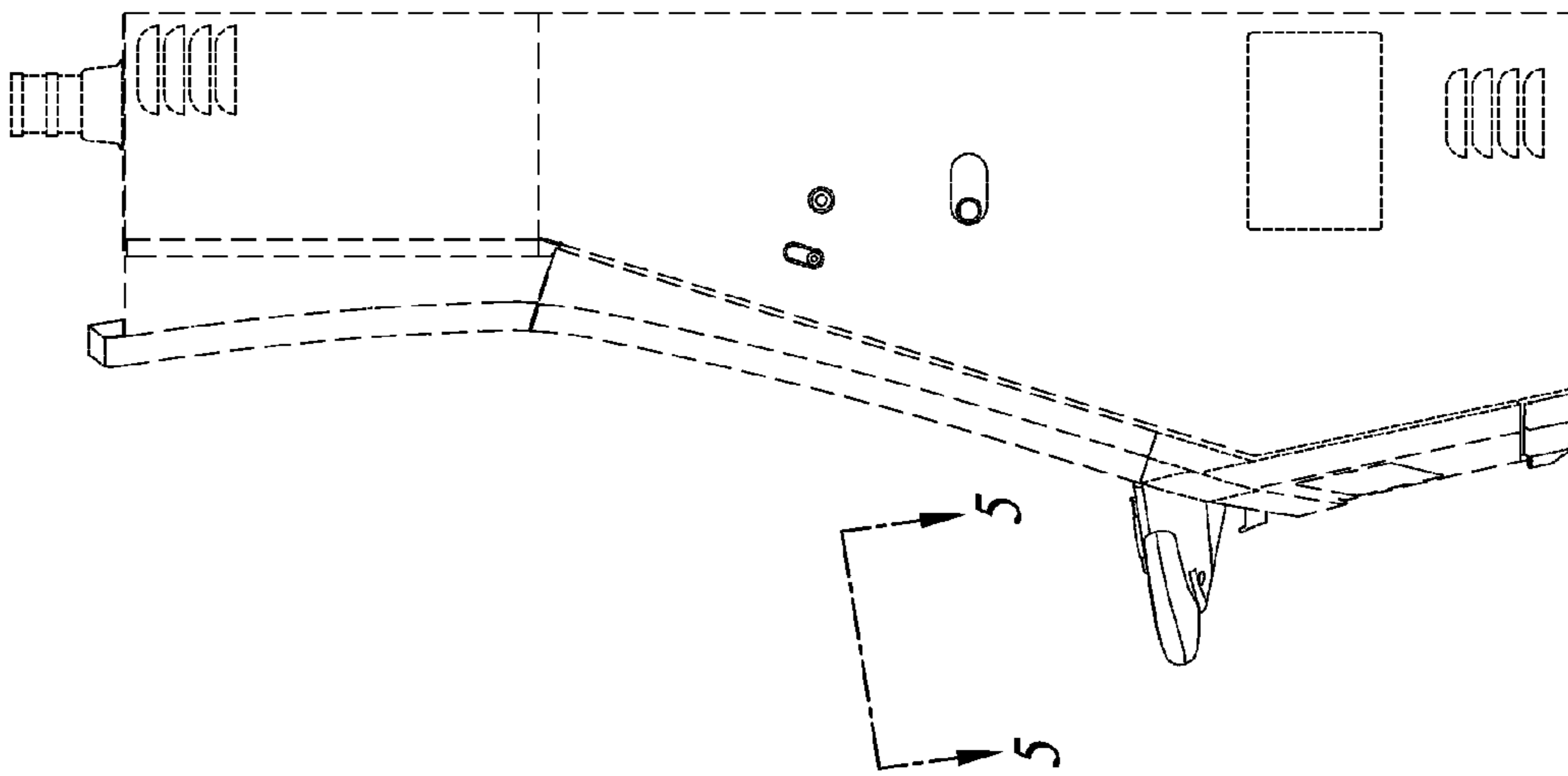


FIG. 3

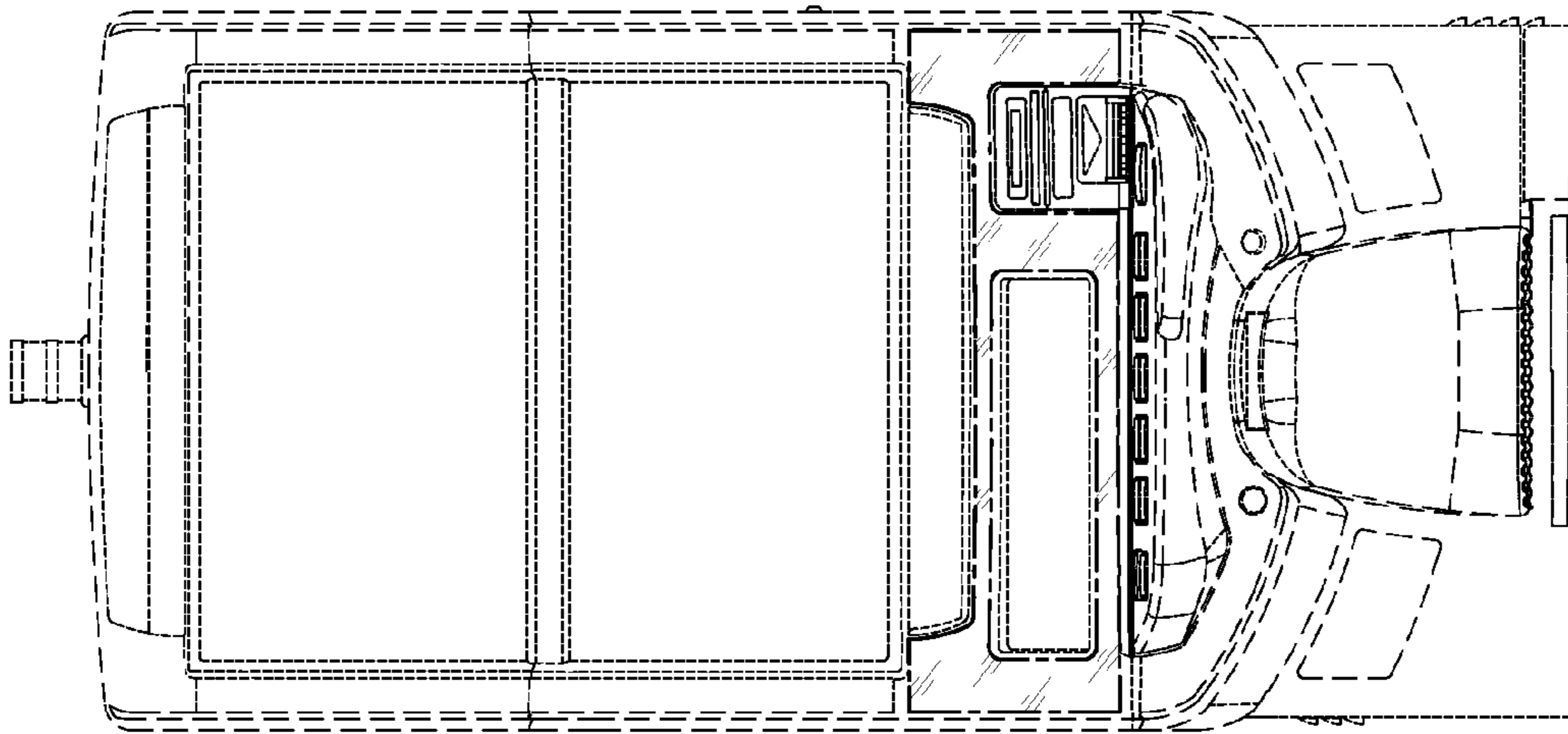


FIG. 2

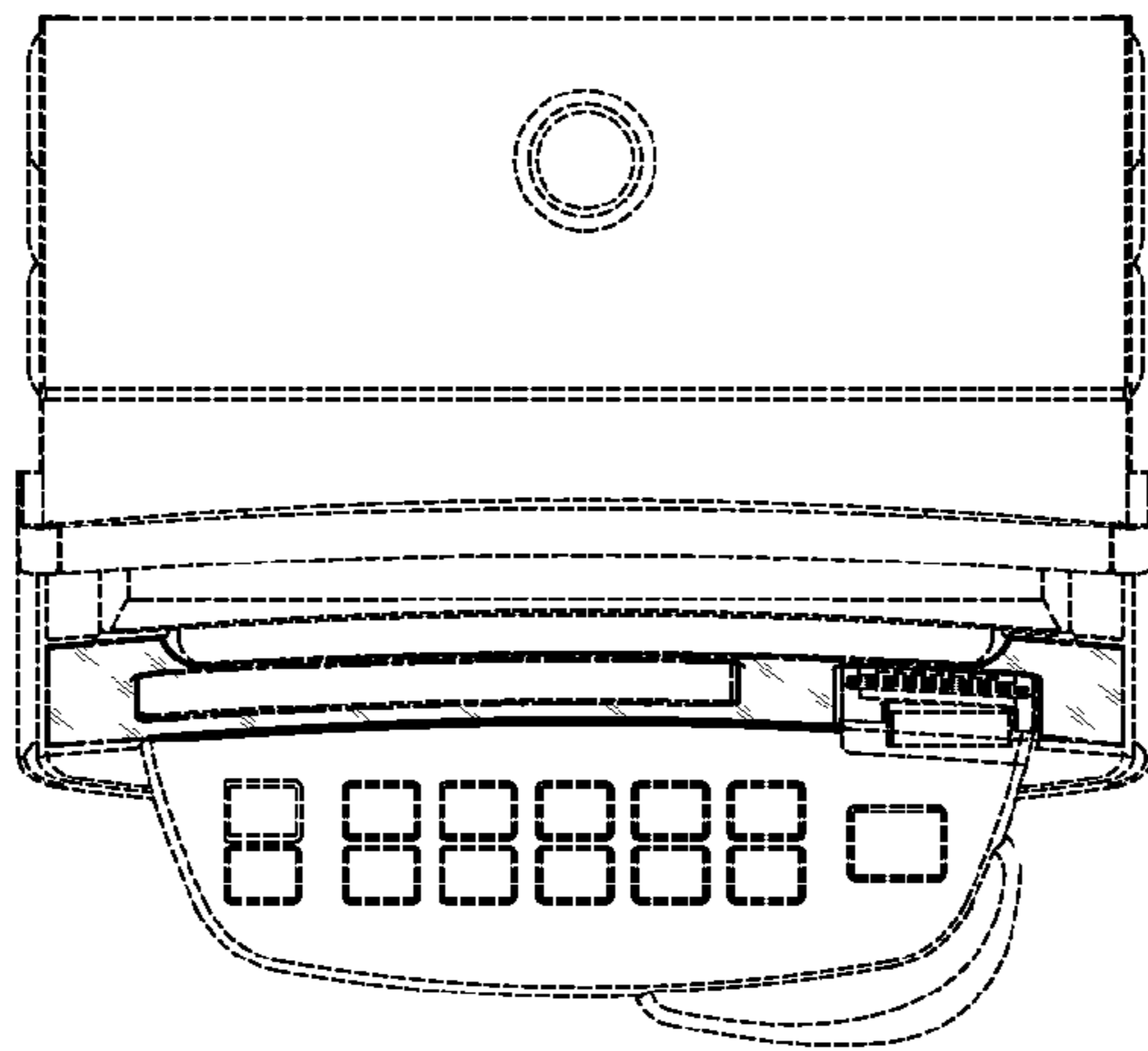


FIG. 4

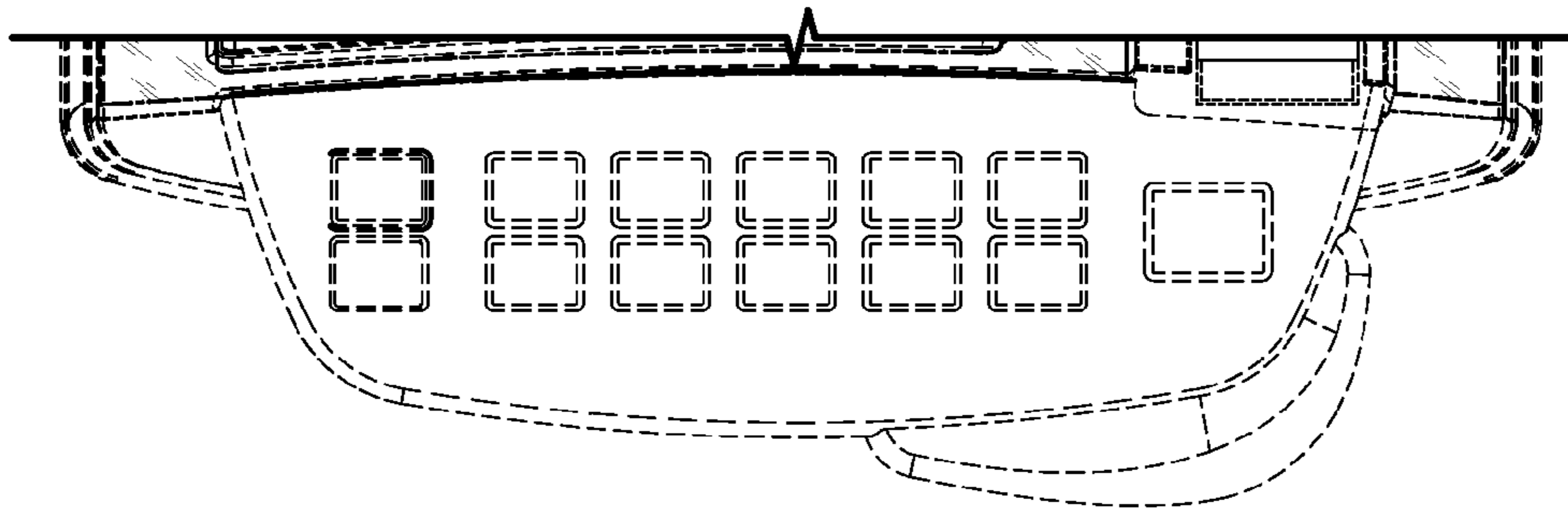


FIG. 5