



US00D704272S

(12) **United States Design Patent**
Kim

(10) **Patent No.:** **US D704,272 S**

(45) **Date of Patent:** **** May 6, 2014**

(54) **SLOT MACHINE**

(75) Inventor: **Sung-Uk Kim**, Yongin (KR)

(73) Assignee: **Samsung Display Co., Ltd.**, Yongin-si (KR)

(**) Term: **14 Years**

(21) Appl. No.: **29/432,167**

(22) Filed: **Sep. 13, 2012**

(30) **Foreign Application Priority Data**

Jun. 5, 2012 (KR) 30-2012-0027694

(51) **LOC (10) Cl.** **21-03**

(52) **U.S. Cl.**
USPC **D21/369**; D21/385

(58) **Field of Classification Search**
USPC D21/369-370, 385; 273/138.1, 268,
273/274; 463/16-17, 20, 46-47
See application file for complete search history.

(56) **References Cited**

U.S. PATENT DOCUMENTS

D243,375	S	*	2/1977	DiOrio	D21/370
D253,662	S	*	12/1979	Stulik, Jr.	D21/370
D286,654	S	*	11/1986	Picard	D21/369
D380,687	S	*	7/1997	Hsu	D21/370
5,823,874	A	*	10/1998	Adams	463/17
D400,597	S	*	11/1998	Hedrick et al.	D21/370
5,833,537	A	*	11/1998	Barrie	D21/370
D404,084	S	*	1/1999	Hedrick et al.	D21/370
D406,615	S	*	3/1999	Griswold et al.	D21/370
6,086,066	A	*	7/2000	Takeuchi et al.	463/20
6,152,447	A	*	11/2000	Stanley	273/138.1
6,159,096	A	*	12/2000	Yoseloff	463/20
D437,004	S	*	1/2001	Luciano et al.	D21/369
6,460,278	B1		10/2002	Jurjavcic		
D492,365	S	*	6/2004	Munoz et al.	D21/370

D507,023	S	*	7/2005	Simonetti et al.	D21/369
D519,570	S	*	4/2006	Amaitis et al.	D21/370
7,166,029	B2	*	1/2007	Enzminger	463/20
D537,127	S	*	2/2007	Kaminkow et al.	D21/370
D549,785	S	*	8/2007	Luciano et al.	D21/370
7,275,988	B2	*	10/2007	Aida et al.	463/20
7,309,284	B2	*	12/2007	Griswold et al.	463/16
D602,995	S	*	10/2009	Takeuchi	D21/385
D603,459	S	*	11/2009	Tsuchida et al.	D21/385
D626,602	S	*	11/2010	Takahashi et al.	D21/369
7,878,897	B2	*	2/2011	Toyoda	463/20
7,878,898	B2	*	2/2011	Toyoda	463/20
7,892,094	B2	*	2/2011	Tanimura et al.	273/138.1
D635,198	S	*	3/2011	Antonopoulos et al.	D21/369
7,927,205	B2	*	4/2011	Toyoda	463/20
7,955,177	B2	*	6/2011	Hedrick et al.	463/46

(Continued)

FOREIGN PATENT DOCUMENTS

KR 2001-0074430 8/2001

Primary Examiner — Sandra Morris

(74) *Attorney, Agent, or Firm* — Christie, Parker & Hale, LLP

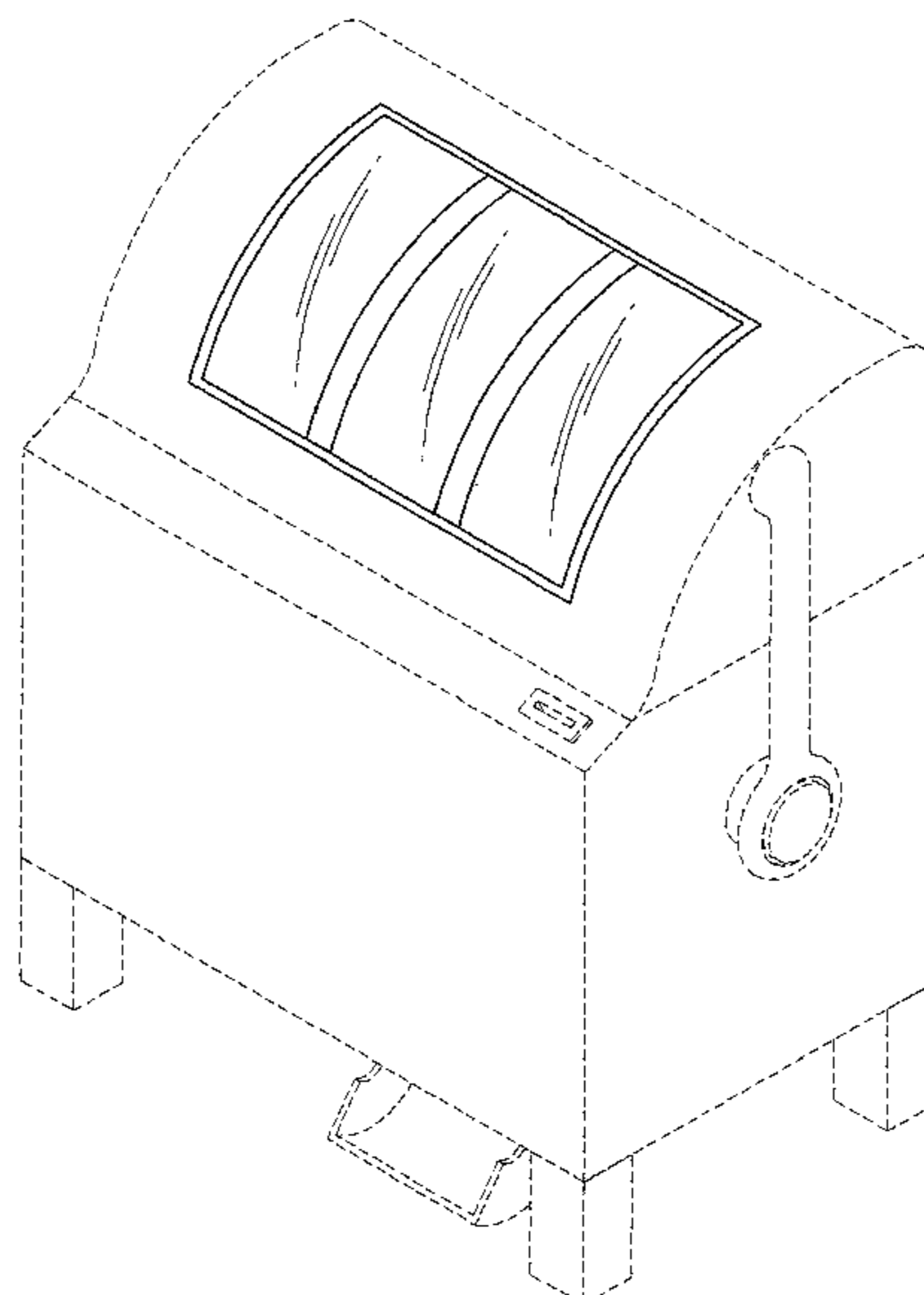
(57) **CLAIM**

The ornamental design for a slot machine, as shown and described.

DESCRIPTION

FIG. 1 is a front perspective view of the slot machine;
FIG. 2 is a front view thereof;
FIG. 3 is a rear view thereof;
FIG. 4 is a right side view thereof;
FIG. 5 is a left side view thereof;
FIG. 6 is a top view thereof;
FIG. 7 is a bottom view thereof; and,
FIG. 8 is a front perspective view during use.
The broken lines in the drawings are for illustrative purpose only and form no part of the claimed design.

1 Claim, 8 Drawing Sheets



(56)

References Cited

8,075,392 B2 * 12/2011 Richardson 463/20
8,337,286 B2 * 12/2012 Imura et al. 463/16

U.S. PATENT DOCUMENTS

8,002,624 B2 * 8/2011 Paulsen et al. 463/20 * cited by examiner

FIG. 1

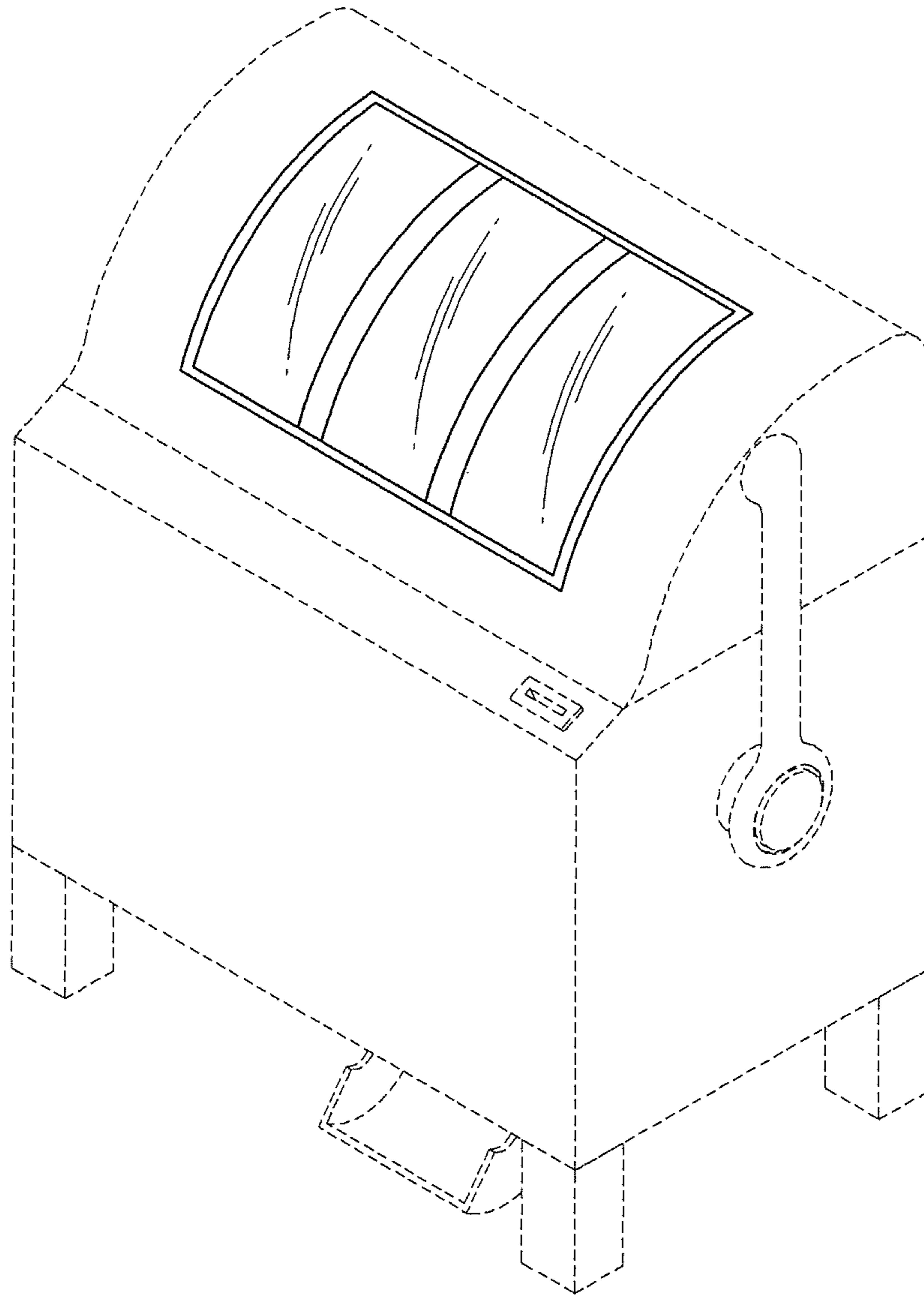


FIG. 2

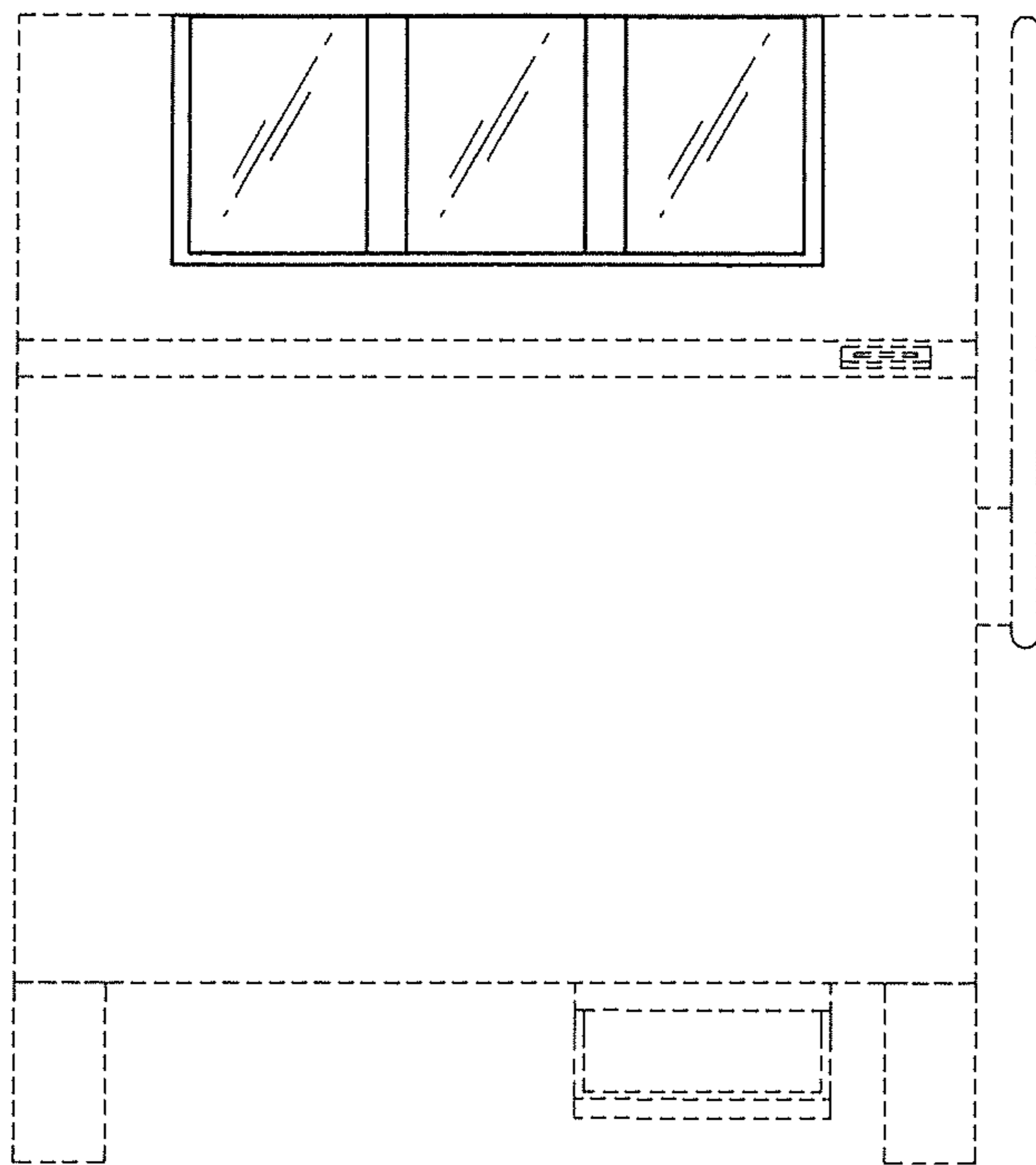


FIG. 3

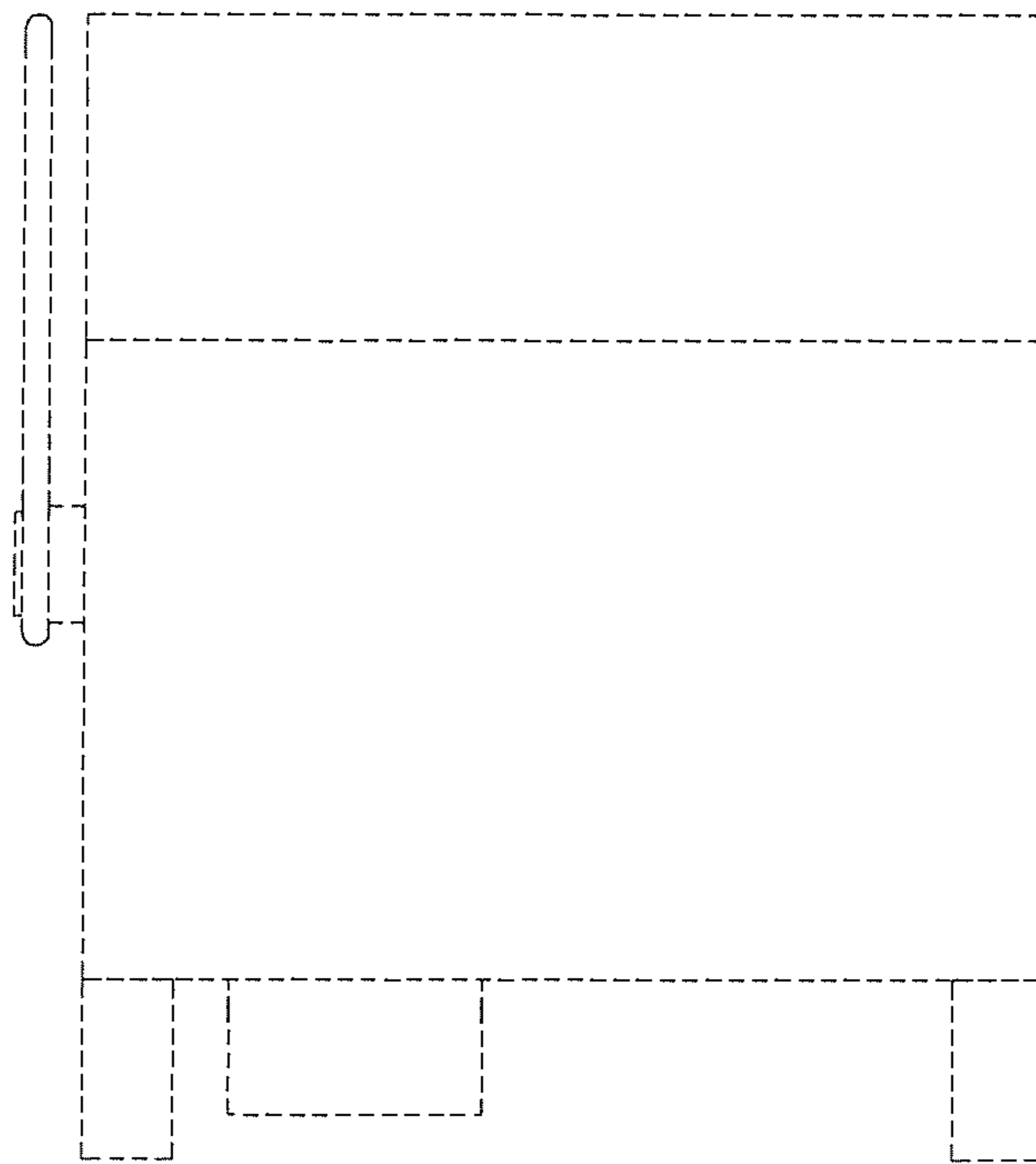


FIG. 4

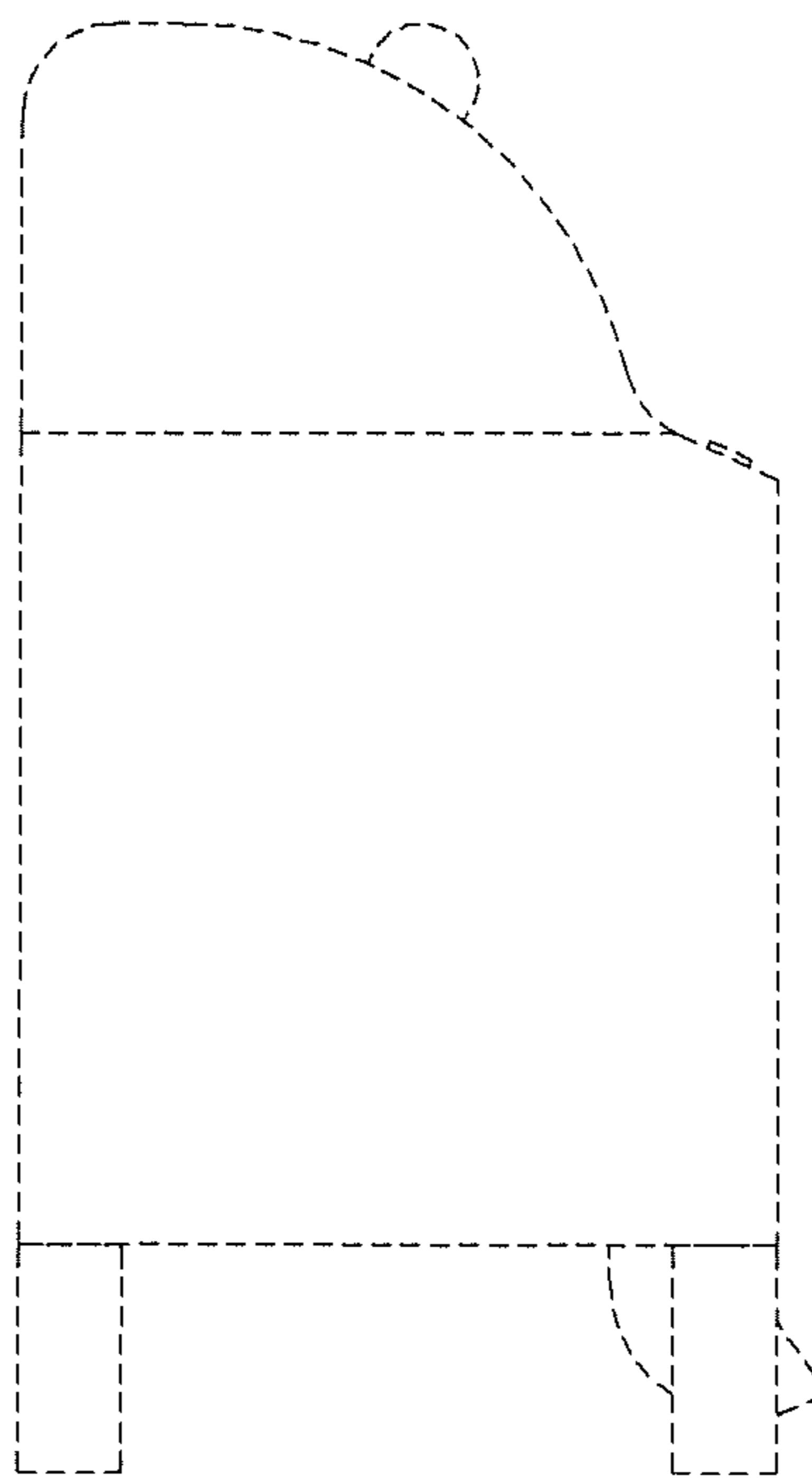


FIG. 5

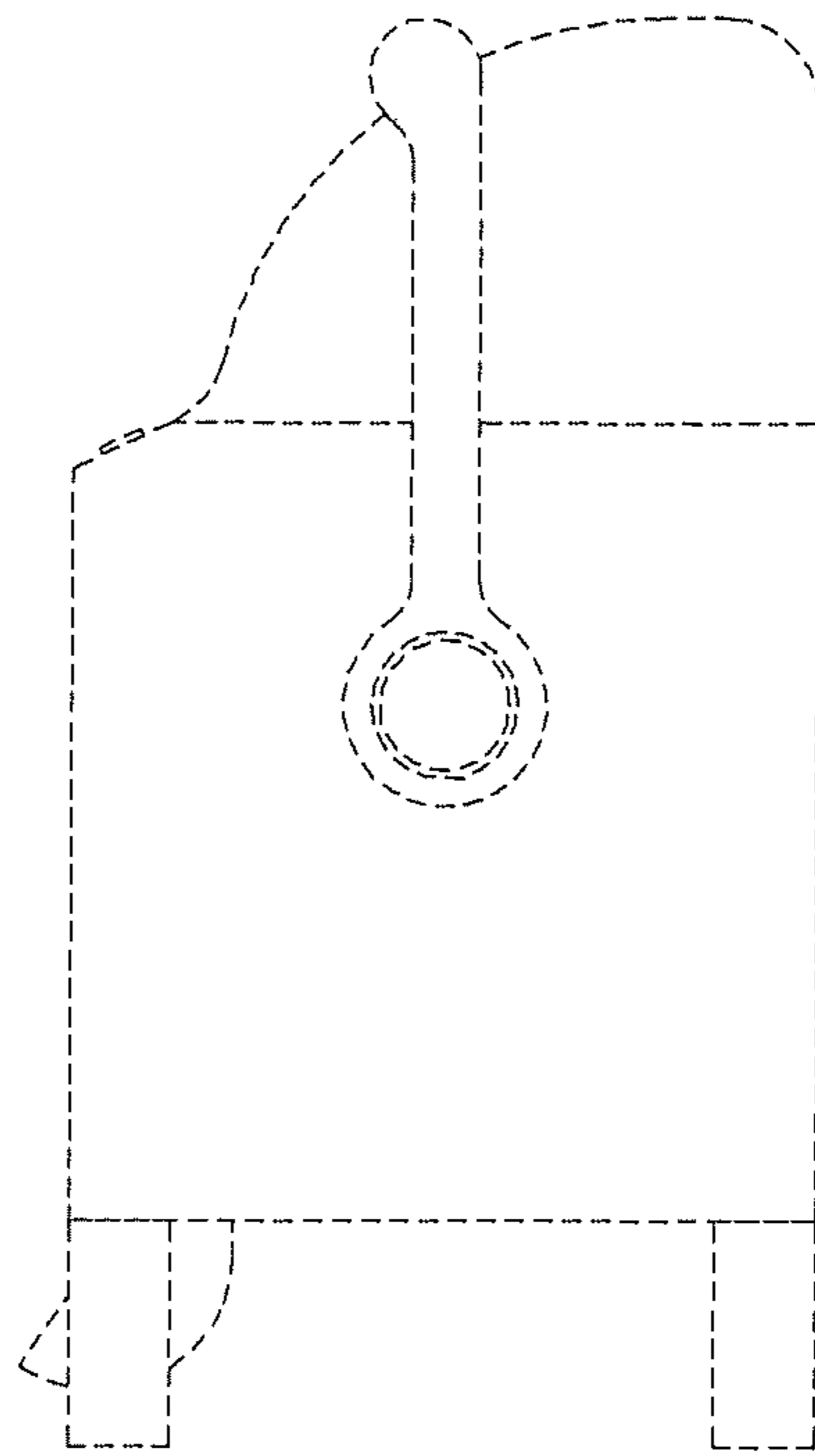


FIG. 6

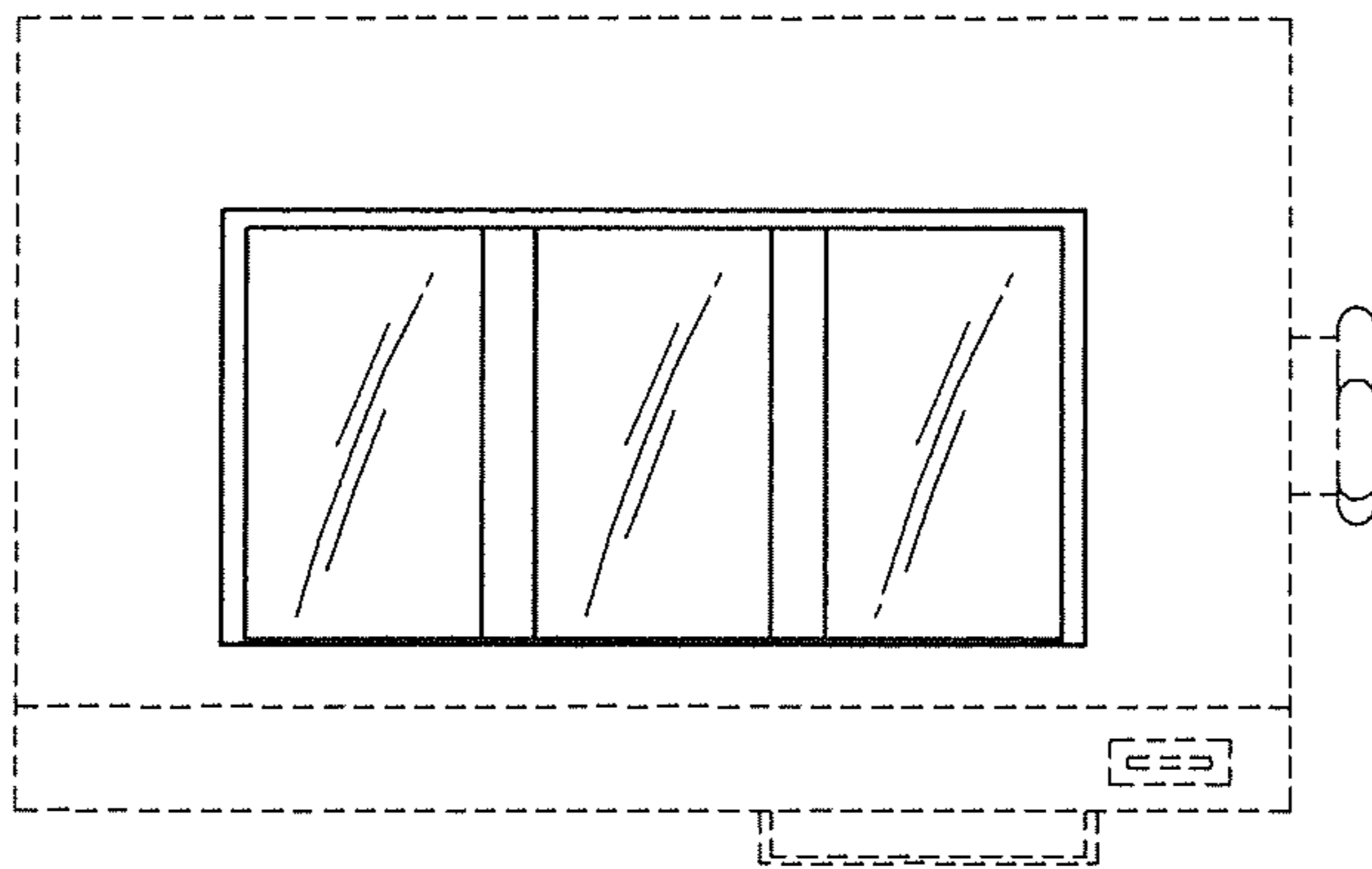


FIG. 7

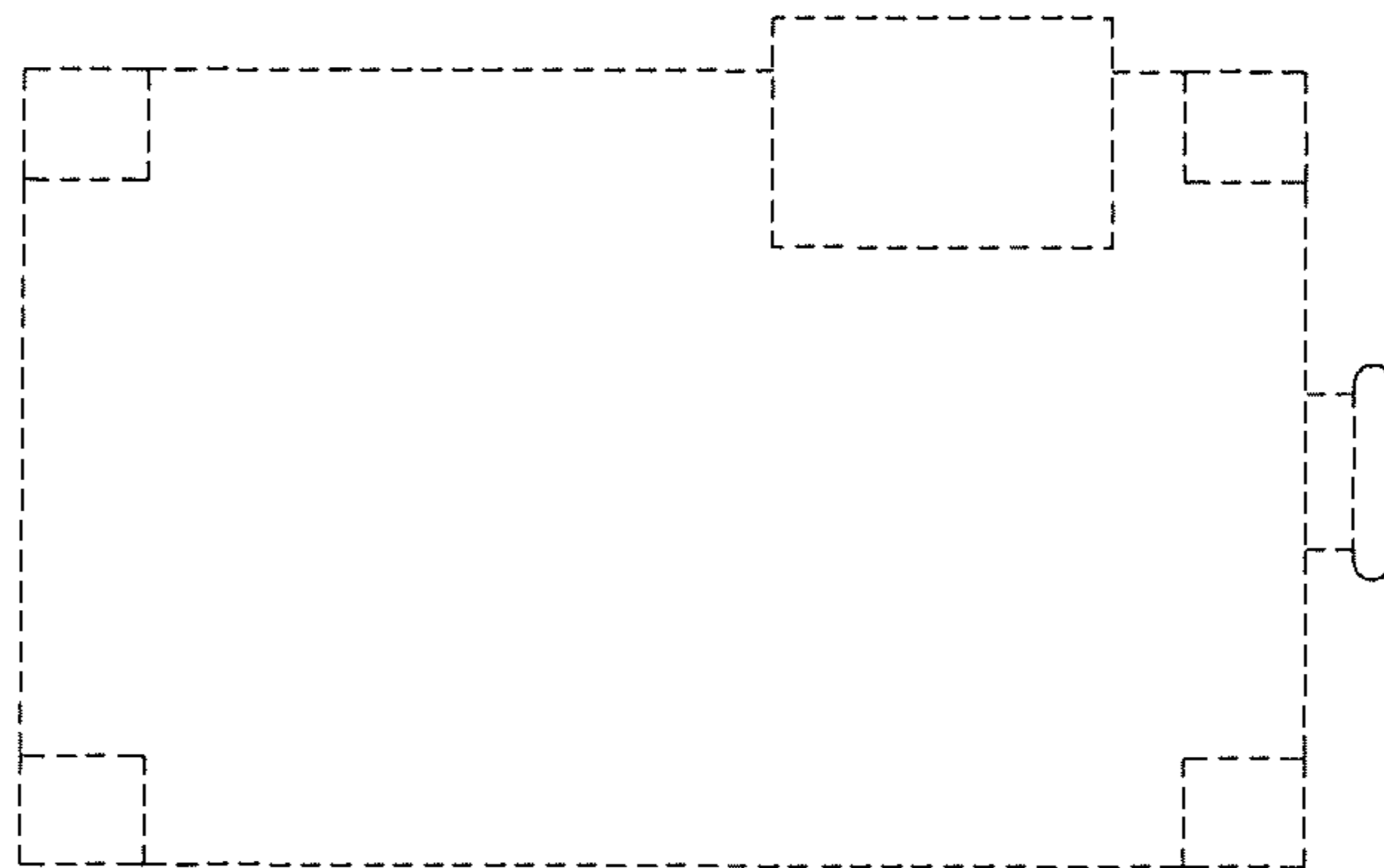


FIG. 8

