



US00D704271S

(12) **United States Design Patent**
Huang et al.

(10) **Patent No.:** **US D704,271 S**

(45) **Date of Patent:** **** May 6, 2014**

(54) **COVER FOR PORTABLE GAME DEVICE**

(56) **References Cited**

(71) Applicant: **NVIDIA Corporation**, Santa Clara, CA (US)

U.S. PATENT DOCUMENTS

(72) Inventors: **Jen-Hsun Huang**, Los Altos, CA (US); **Glenn Wernig**, San Jose, CA (US); **Jason Su**, San Jose, CA (US); **Darren Burckhard**, San Jose, CA (US); **David Collins**, San Francisco, CA (US); **James Lee**, Sunnyvale, CA (US); **Siarhei Murauyou**, Sunnyvale, CA (US); **Don Miller**, Manteca, CA (US); **Craig Crawford**, Beaverton, OR (US); **Andrew Bell**, San Francisco, CA (US); **Brian Loiler**, Santa Cruz, CA (US); **Joseph Walters**, Campbell, CA (US); **An Nguyen**, Milpitas, CA (US); **Trevor Boswell**, Mountain View, CA (US)

D366,285	S	*	1/1996	Tada	D21/332
D402,708	S	*	12/1998	Tai	D21/330
D426,859	S	*	6/2000	Smith	D21/330
D434,454	S	*	11/2000	Benoit et al.	D21/330
6,225,975	B1		5/2001	Furuki et al.		
6,231,444	B1		5/2001	Goto et al.		
6,325,719	B1		12/2001	Fukawa et al.		
6,347,796	B1	*	2/2002	Grossman et al.	273/148 B
D469,766	S		2/2003	Hussaini et al.		
D492,294	S		6/2004	Kim		
6,743,100	B1		6/2004	Neiser		
D493,495	S	*	7/2004	Avery	D21/330
D515,633	S	*	2/2006	Avery	D21/330
7,063,321	B2		6/2006	Hussaini et al.		
D553,619	S		10/2007	Mak et al.		

(Continued)

Primary Examiner — Prabhakar Deshmukh

(73) Assignee: **NVIDIA Corporation**, Santa Clara, CA (US)

(57) **CLAIM**

We claim the ornamental design for a cover for portable game device, as shown and described.

(**) Term: **14 Years**

DESCRIPTION

(21) Appl. No.: **29/441,461**

FIG. 1 is an upper right front perspective view of a cover for portable game device showing our new design; FIG. 2 is a front elevational view thereof; FIG. 3 is a right side elevational view of the cover for portable game device, the left side elevational view being a mirror image thereof; FIG. 4 is a rear elevational view thereof; FIG. 5 is a top plan view thereof; and, FIG. 6 is a bottom plan view thereof, the bottom plan view of the cover for portable game device is not visible in normal and intended use.

(22) Filed: **Jan. 4, 2013**

(51) **LOC (10) Cl.** **21-01**

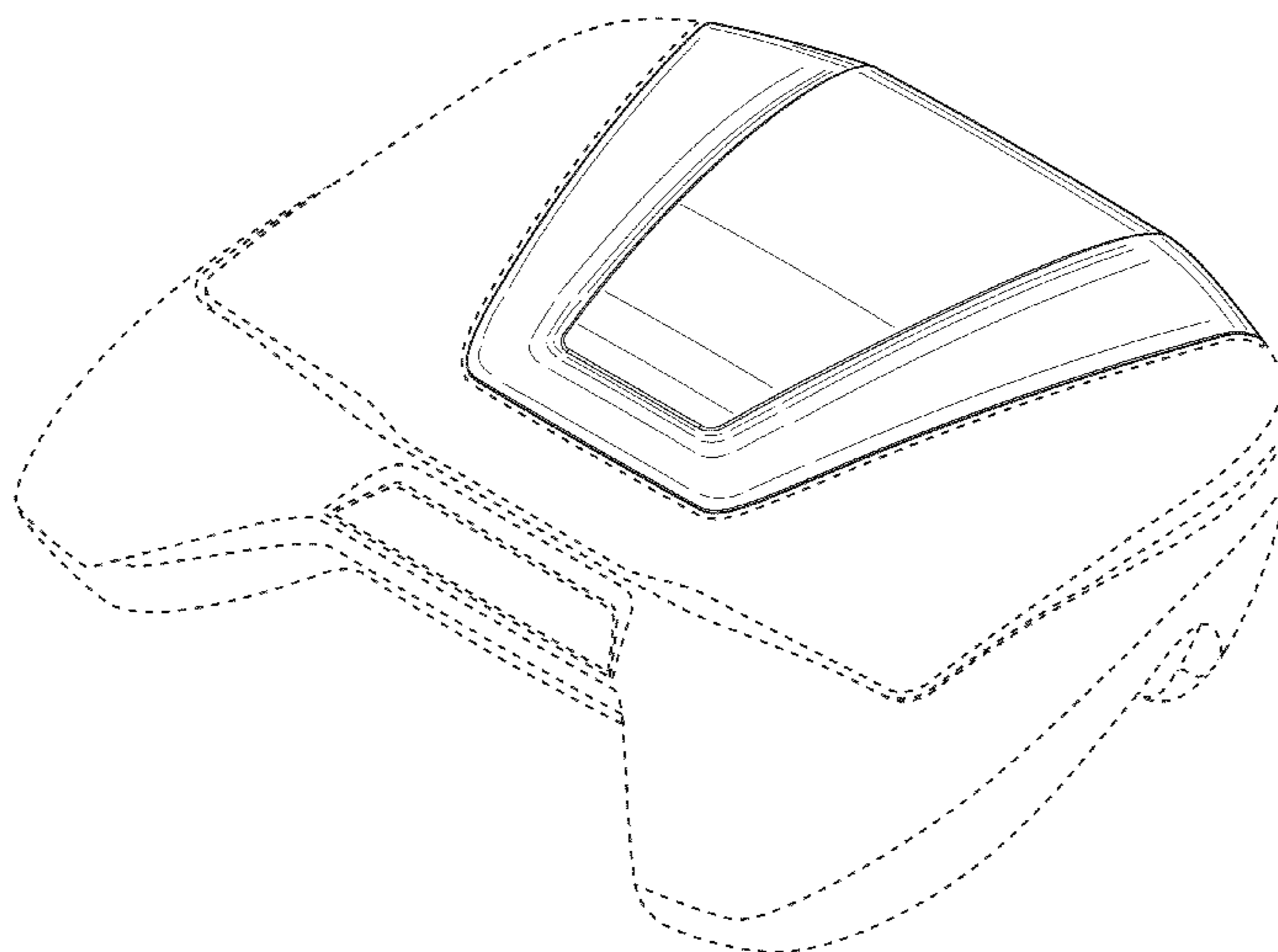
(52) **U.S. Cl.**
USPC **D21/333**

(58) **Field of Classification Search**
USPC D21/324–333, 369, 385; 273/148 B, 273/148 R, 461; D14/495, 338, 339, 348, D14/356, 432, 433, 471, 474, 137, 160, 168, D14/188–181, 203.1–203.8, 219, 265, 257; 345/156–161, 1.1; 455/344–351; 369/6–12; 463/1, 29–35, 46, 47; 16/321, 337; 248/176.1, 915, 921; 285/188, 231–234, 304, 330

The broken lines shown in the drawings are for the purpose of illustrating an environment for the claimed designed and form no part of the claimed design.

See application file for complete search history.

1 Claim, 2 Drawing Sheets



(56)

References Cited

U.S. PATENT DOCUMENTS

D620,939 S 8/2010 Suetake et al.

D641,022 S 7/2011 Dodo et al.
D685,434 S 7/2013 Ali et al.
8,568,241 B2* 10/2013 Bailey 463/46

* cited by examiner

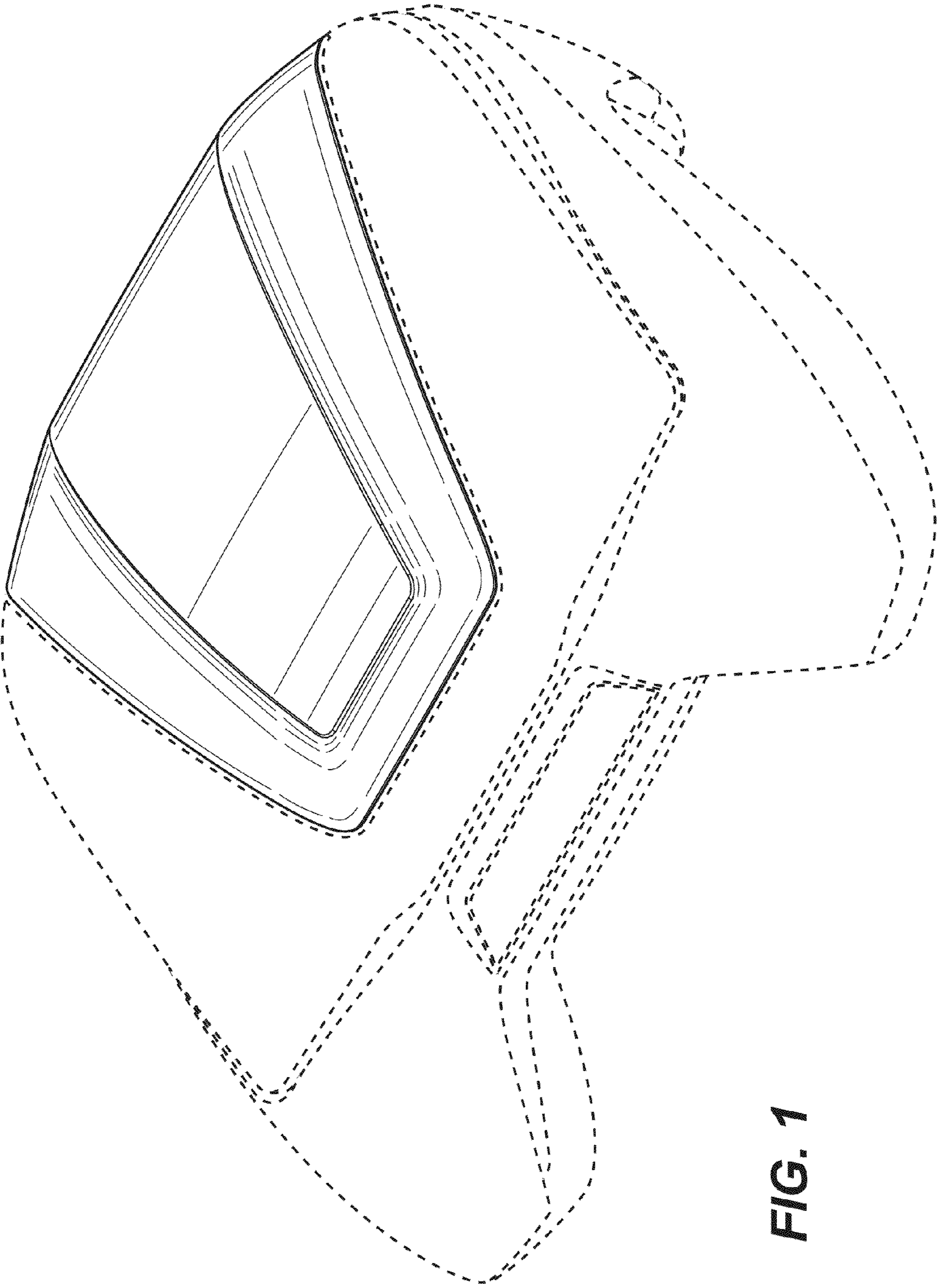


FIG. 1



FIG. 2

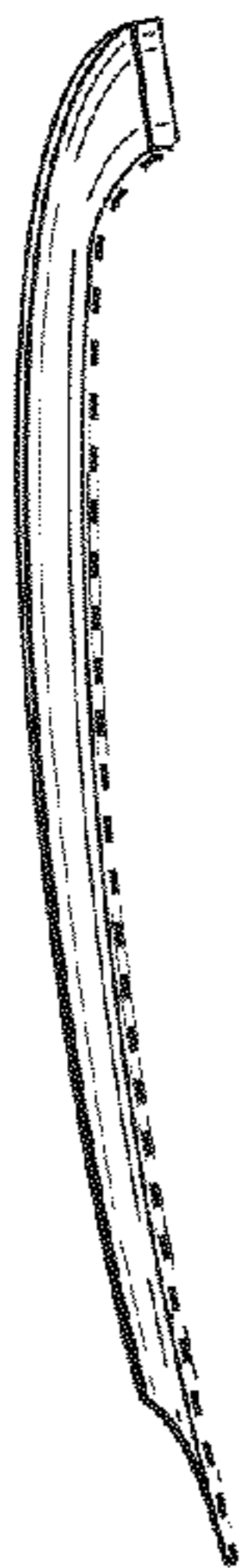


FIG. 3

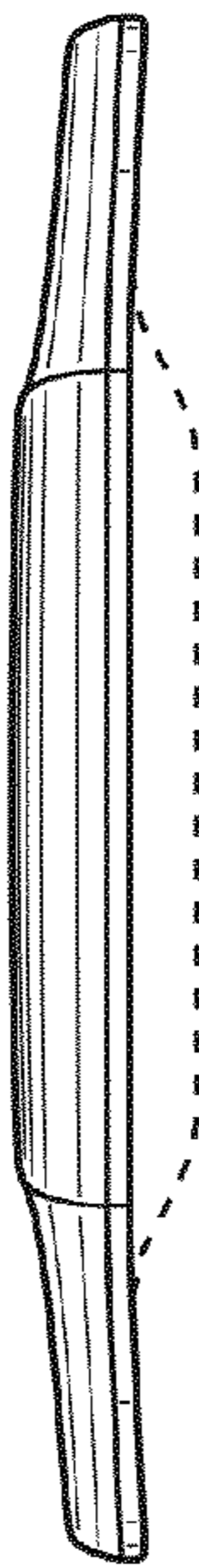


FIG. 4

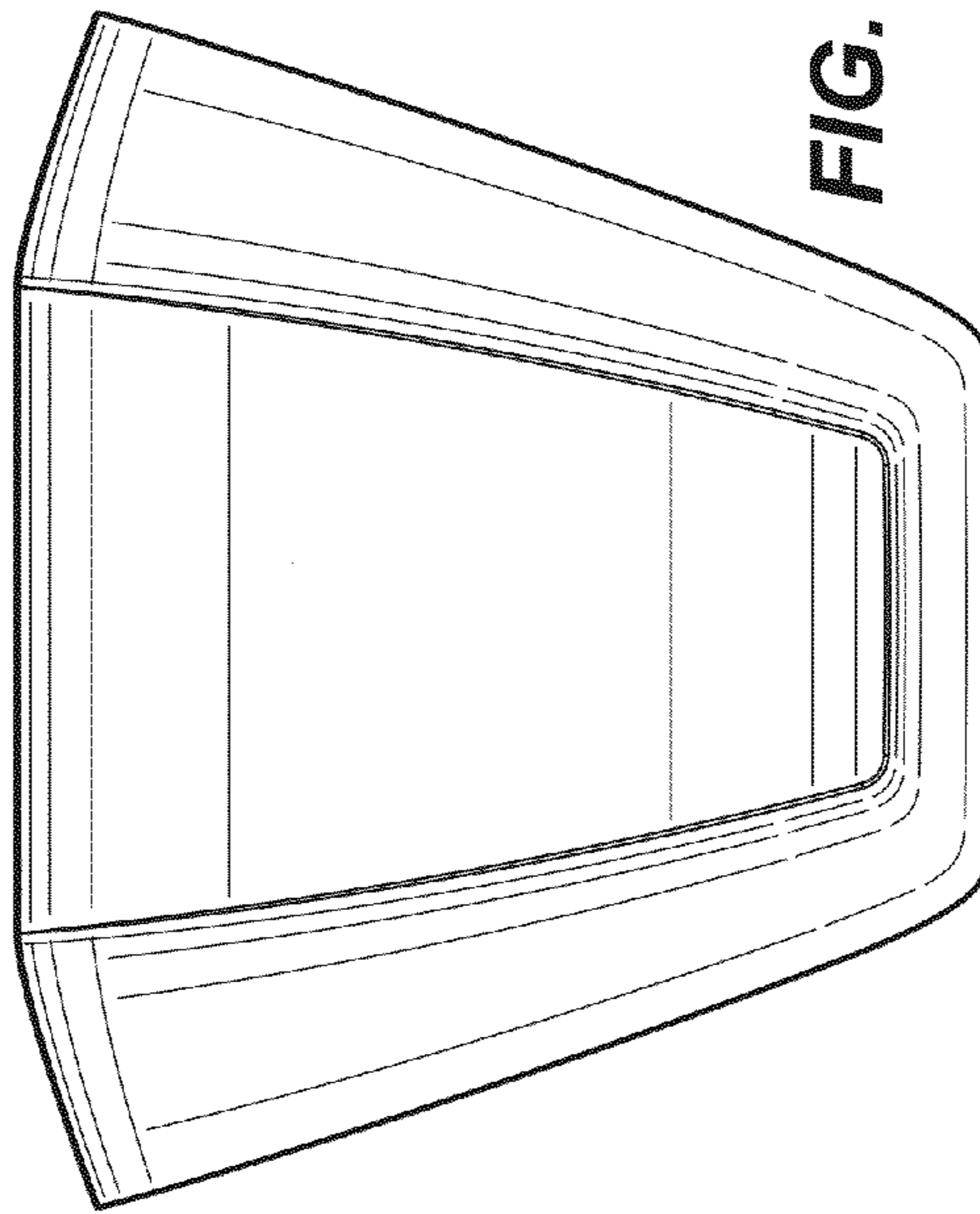


FIG. 5

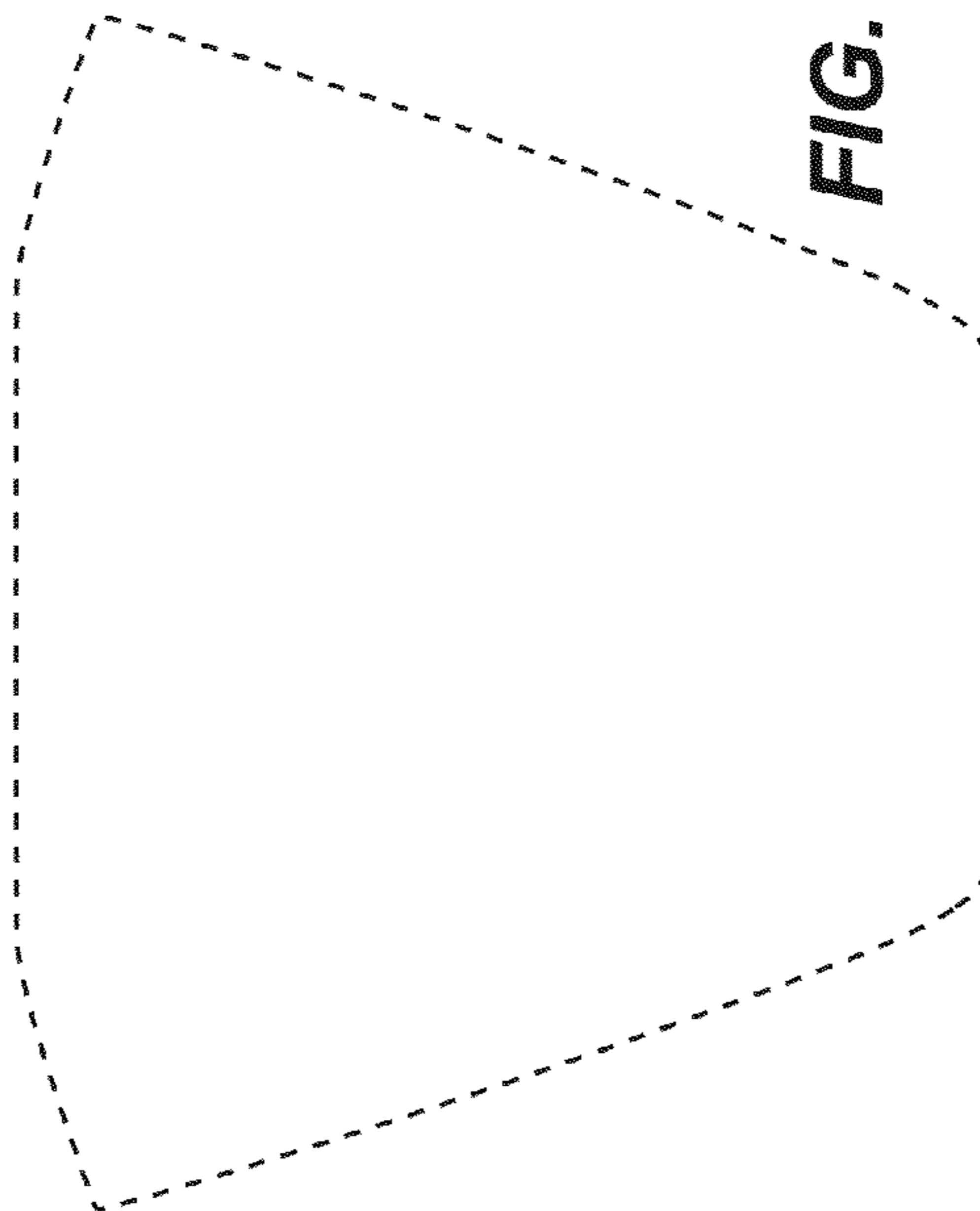


FIG. 6