



US00D704269S

(12) **United States Design Patent**
Logan et al.

(10) **Patent No.:** **US D704,269 S**
(45) **Date of Patent:** **** May 6, 2014**

(54) **SIGN HOLDER ASSEMBLY**

(75) Inventors: **Robert G. Logan**, Blaine, MN (US);
Jeremy A. Clark, Minneapolis, MN
(US); **David Cheney**, St. Paul, MN (US)
(73) Assignee: **Target Brands, Inc.**, Minneapolis, MN
(US)

(**) Term: **14 Years**

(21) Appl. No.: **29/417,866**

(22) Filed: **Apr. 10, 2012**

(51) **LOC (10) Cl.** **20-03**

(52) **U.S. Cl.**
USPC **D20/43**

(58) **Field of Classification Search**

USPC D20/10, 19, 40, 42-44, 99; 40/124,
40/124.1, 546, 568, 642.01, 642.02,
40/649-651, 657, 661; D6/630; D8/354,
D8/373; D25/119-123; 160/368.1;
206/6.1; 211/40, 94.01; 248/205.3,
248/220.42

See application file for complete search history.

(56) **References Cited**

U.S. PATENT DOCUMENTS

2,557,262 A 6/1951 Cordes
2,795,876 A * 6/1957 Hayes 40/1.5

(Continued)

OTHER PUBLICATIONS

Office Action from Canadian Patent Application No. 145,207, mailed
May 23, 2013 (2 pages).

Primary Examiner — Mary Ann Calabrese

(74) *Attorney, Agent, or Firm* — Griffiths & Seaton PLLC;
JoAnn M. Seaton

(57) **CLAIM**

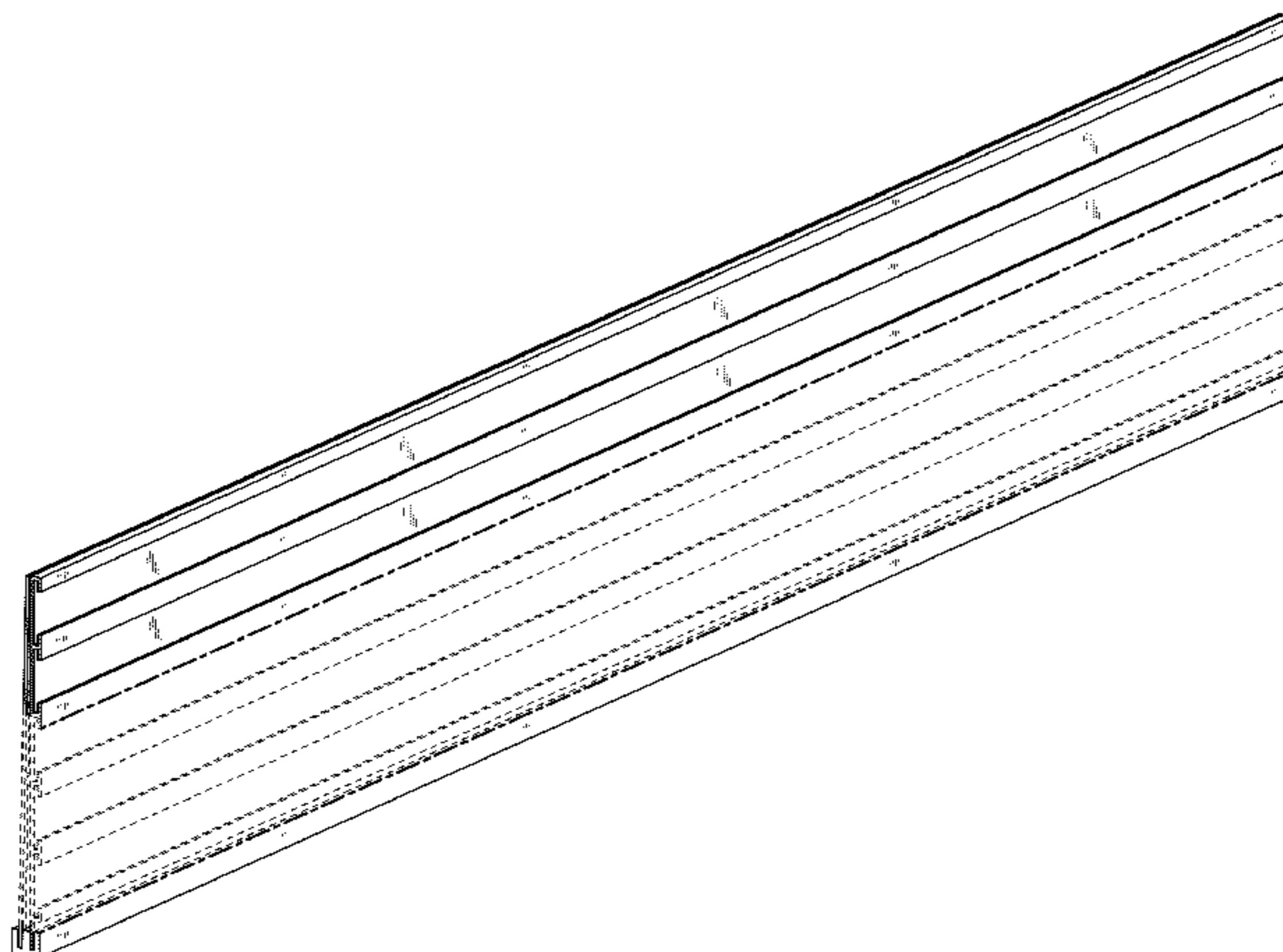
The ornamental design for a sign holder assembly, as shown
and described.

DESCRIPTION

FIG. 1 is a rear, perspective view of a sign holder assembly
showing a first embodiment of our new design;

FIG. 2 is a rear view thereof;
FIG. 3 is a front view thereof;
FIG. 4 is a left side view thereof; the right side view being a
mirror image of the left side view;
FIG. 5 is a top view thereof; and
FIG. 6 is a bottom view thereof.
FIG. 7 is a rear, perspective view of a sign holder assembly
showing a second embodiment of our new design;
FIG. 8 is a rear view thereof;
FIG. 9 is a front view thereof;
FIG. 10 is a left side view thereof; the right side view being a
mirror image of the left side view;
FIG. 11 is a top view thereof; and
FIG. 12 is a bottom view thereof.
FIG. 13 is a rear, perspective view of a sign holder assembly
showing a third embodiment of our new design;
FIG. 14 is a rear view thereof;
FIG. 15 is a front view thereof;
FIG. 16 is a left side view thereof; the right side view being a
mirror image of the left side view;
FIG. 17 is a top view thereof; and
FIG. 18 is a bottom view thereof.
FIG. 19 is a rear, perspective view of a sign holder assembly
showing a fourth embodiment of our new design;
FIG. 20 is a rear view thereof;
FIG. 21 is a front view thereof;
FIG. 22 is a left side view thereof; the right side view being a
mirror image of the left side view;
FIG. 23 is a top view thereof; and
FIG. 24 is a bottom view thereof.
FIG. 25 is a rear, perspective view of a sign holder assembly
showing a fifth embodiment of our new design;
FIG. 26 is a rear view thereof;
FIG. 27 is a front view thereof;
FIG. 28 is a left side view thereof; the right side view being a
mirror image of the left side view;
FIG. 29 is a top view thereof; and
FIG. 30 is a bottom view thereof.
The broken lines represent portions of the article that form no
part of the claimed design. The broken lines showing the
rectangle with the words "SIGN INDICIA" illustrate envi-
ronment and form no part of the claimed design. The bolded
long dash-short dash lines indicate the bounds of the claimed
subject matter and otherwise form no part of the claimed
design.

1 Claim, 17 Drawing Sheets



(56)

References Cited

U.S. PATENT DOCUMENTS

2,876,359 A	3/1959	Plymale	5,930,926 A	8/1999	Kaplan
3,296,725 A	1/1967	Fenwick	6,006,678 A	12/1999	Merit et al.
3,497,081 A	2/1970	Field	6,015,124 A	1/2000	Loy
3,608,741 A	9/1971	Schray	6,092,320 A	7/2000	Bringuet
3,703,964 A	11/1972	Field	6,178,678 B1 *	1/2001	Stoddard 40/618
4,190,167 A	2/1980	Wells et al.	6,283,278 B1 *	9/2001	Holztrager 206/6.1
4,344,244 A	8/1982	Tyke	6,289,618 B1	9/2001	Kump et al.
4,472,897 A	9/1984	Phillips	6,349,507 B1	2/2002	Muellerleile
4,531,472 A	7/1985	Marrero et al.	6,381,890 B1	5/2002	Sjöstedt
4,615,448 A *	10/1986	Johnstonbaugh 211/94.01	6,571,498 B1	6/2003	Cyrluk
4,618,063 A	10/1986	Mendenhall	6,685,037 B1	2/2004	Zadak
4,669,210 A *	6/1987	Van Erum 40/618	6,691,443 B1 *	2/2004	Slayden 40/546
4,677,780 A	7/1987	Shuman	6,945,414 B1	9/2005	Stevens et al.
4,776,116 A	10/1988	Shuman	6,976,331 B2	12/2005	Fast
4,960,258 A	10/1990	Stocker et al.	7,367,149 B2	5/2008	Fast et al.
D338,355 S *	8/1993	Wells D6/459	7,717,279 B2	5/2010	Lawson
5,381,991 A	1/1995	Stocker	7,882,969 B2	2/2011	Gerstner et al.
5,388,359 A	2/1995	DeWitt	D642,603 S *	8/2011	Michael D15/140
5,458,307 A *	10/1995	Gebka 248/205.3	8,166,683 B2 *	5/2012	Cheetwood 40/124
5,472,163 A	12/1995	Callas	8,220,648 B2 *	7/2012	Barkdoll et al. 211/94.01
5,577,337 A	11/1996	Lin	2002/0166275 A1	11/2002	Broadwell et al.
5,609,317 A	3/1997	Glynn et al.	2005/0006539 A1 *	1/2005	Fischer et al. 248/220.42
5,664,749 A	9/1997	Kump et al.	2005/0016039 A1	1/2005	Abramson
5,803,420 A	9/1998	Conway et al.	2006/0091094 A1 *	5/2006	Schuberth 211/94.01
5,921,404 A *	7/1999	Cooke et al. 211/40	2009/0056185 A1	3/2009	Wamsley
			2010/0218906 A1 *	9/2010	Marzilli et al. 160/368.1
			2011/0277363 A1	11/2011	Dukes et al.

* cited by examiner

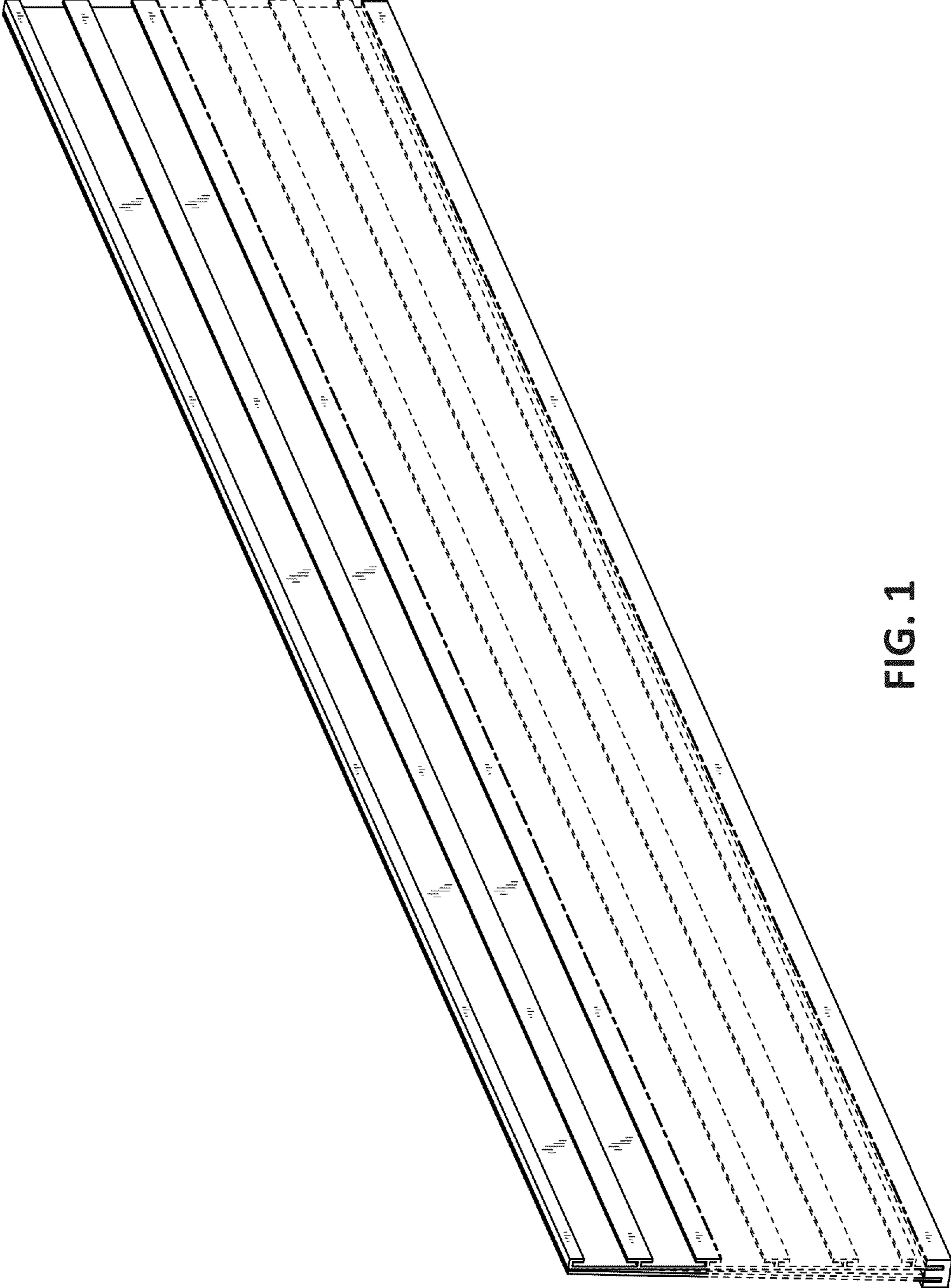


FIG. 1

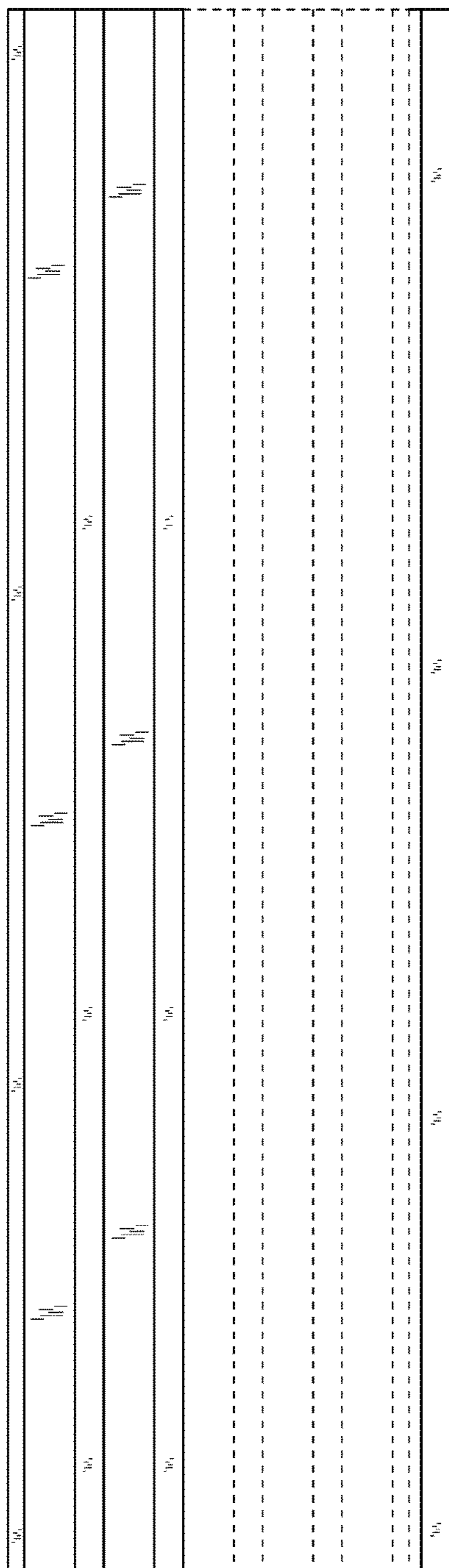


FIG. 2

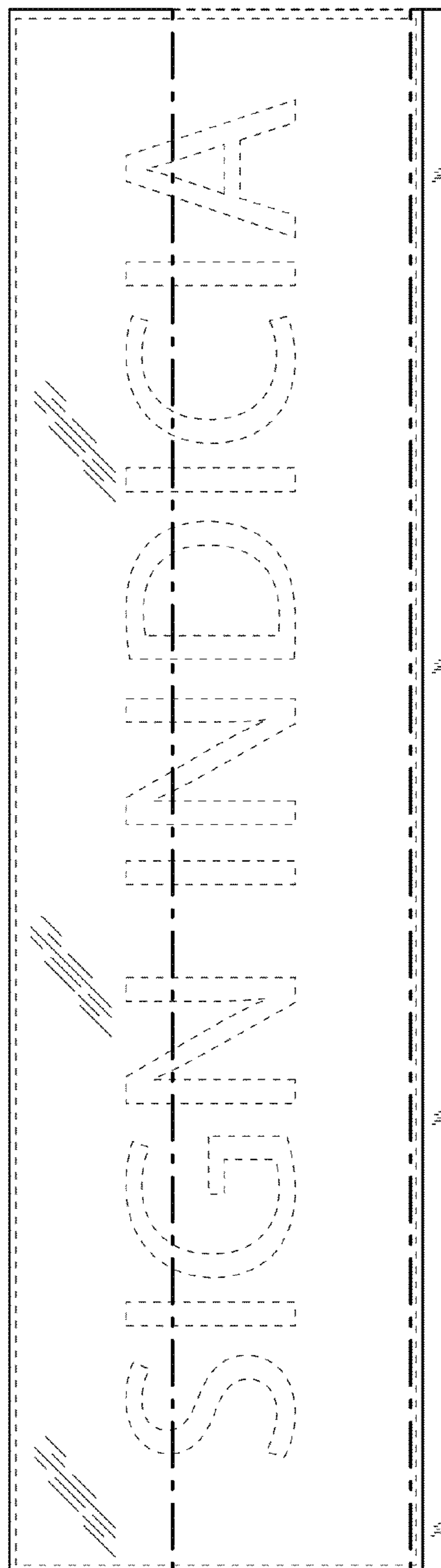


FIG. 3

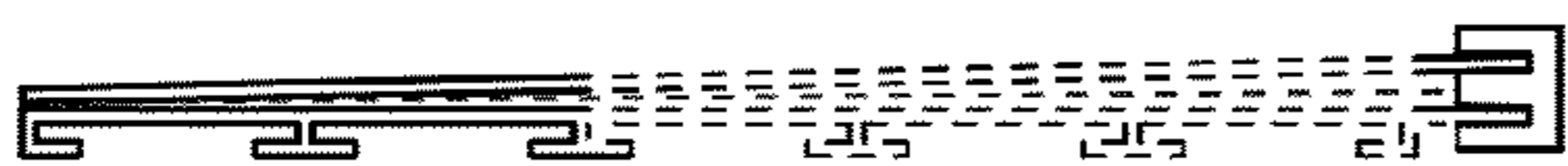


FIG. 4

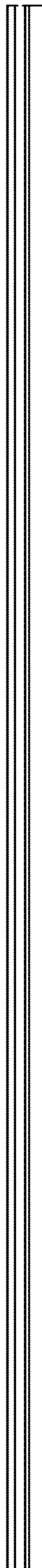


FIG. 5



FIG. 6

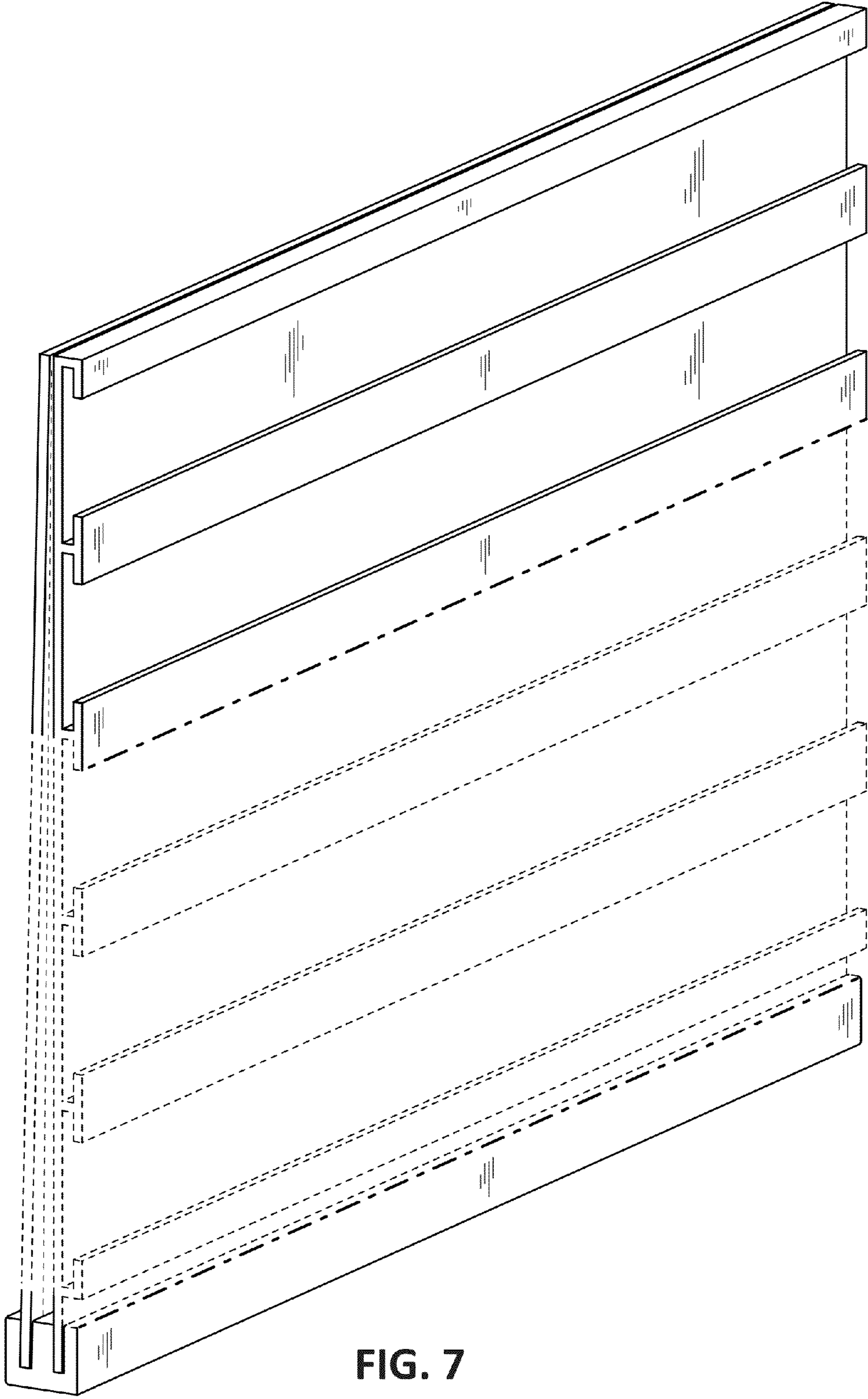
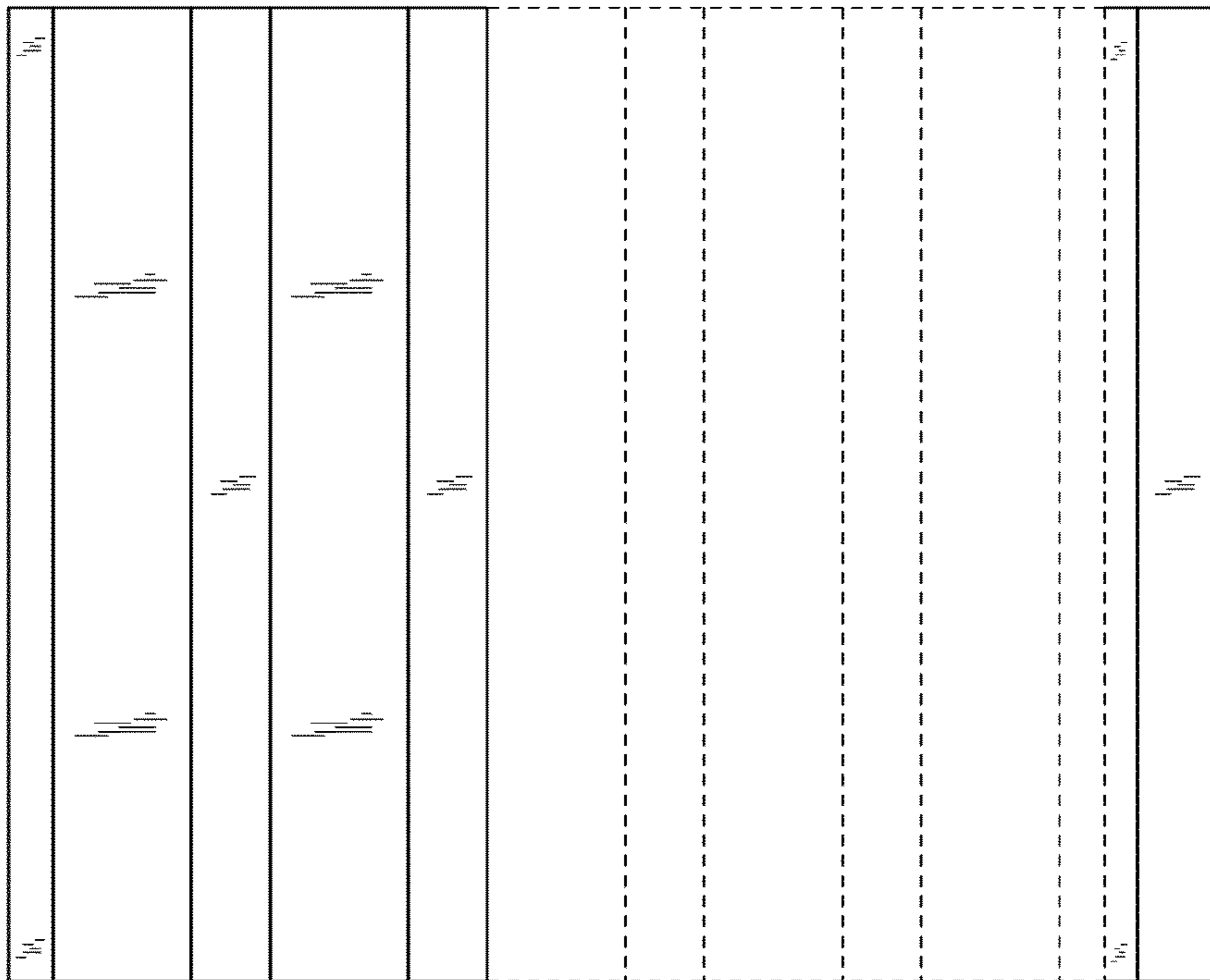
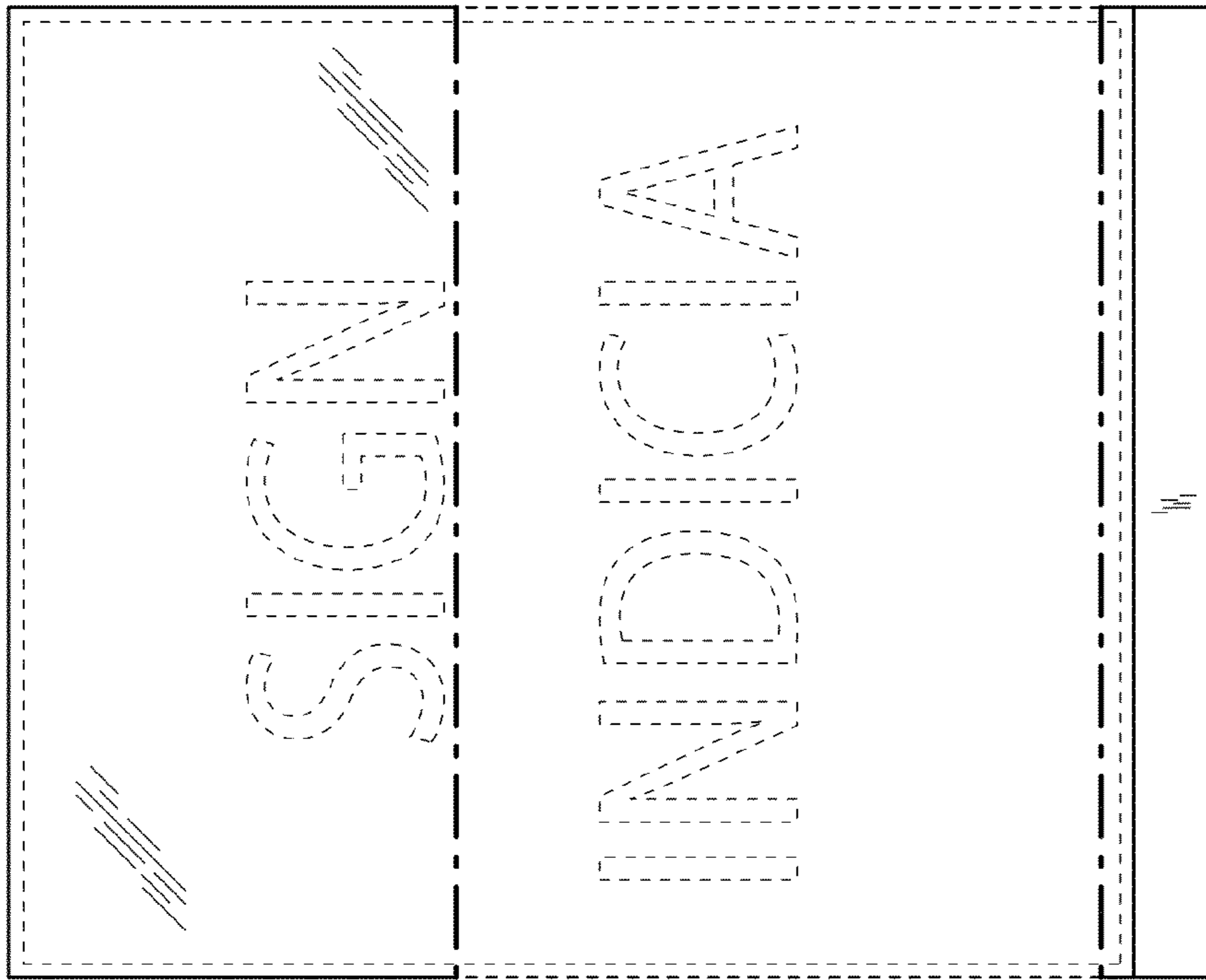


FIG. 7



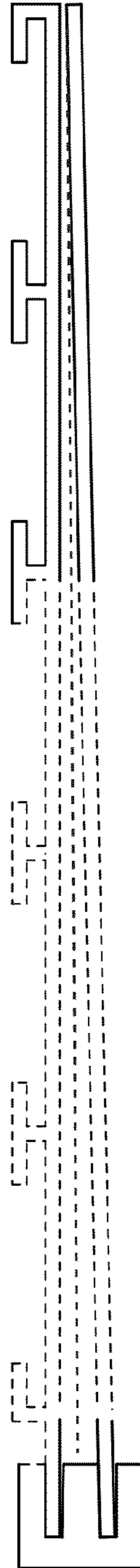


FIG. 10



FIG. 11



FIG. 12

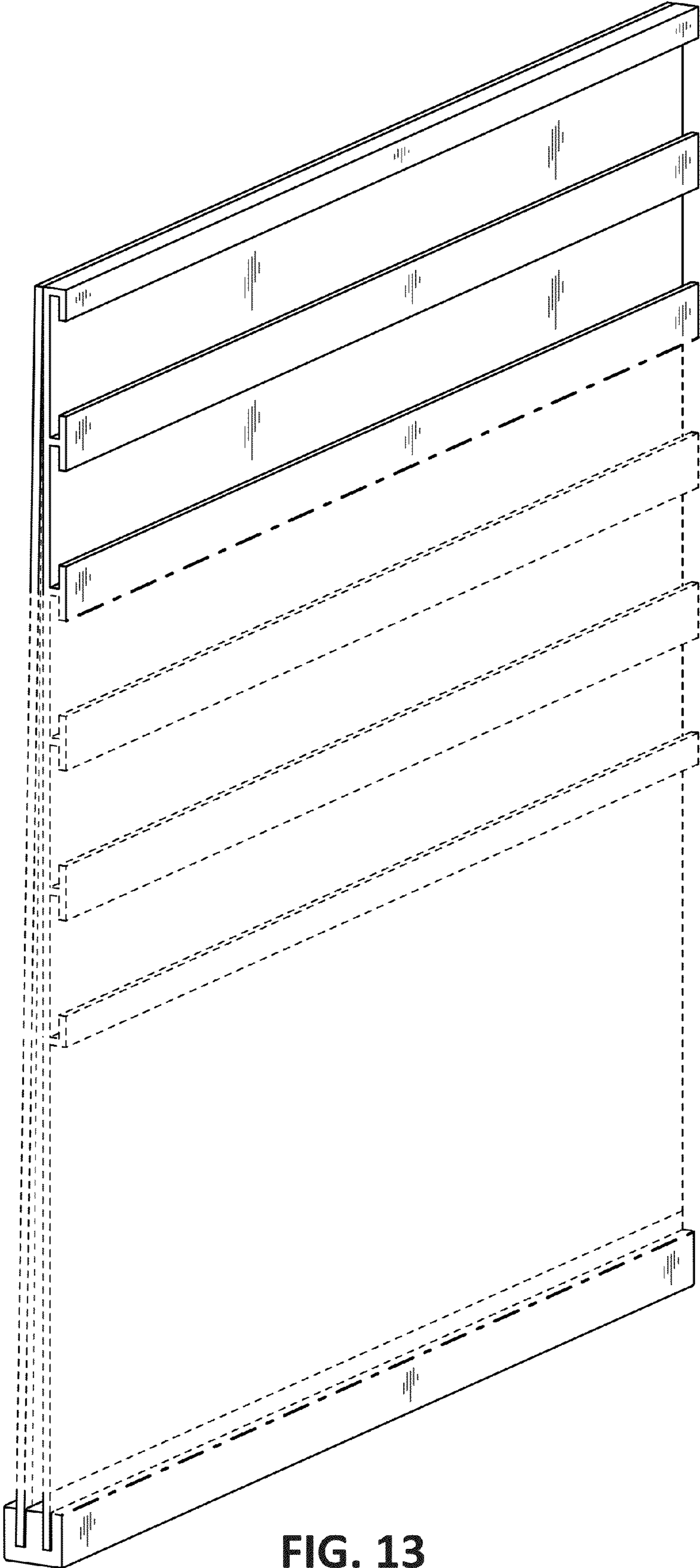


FIG. 13

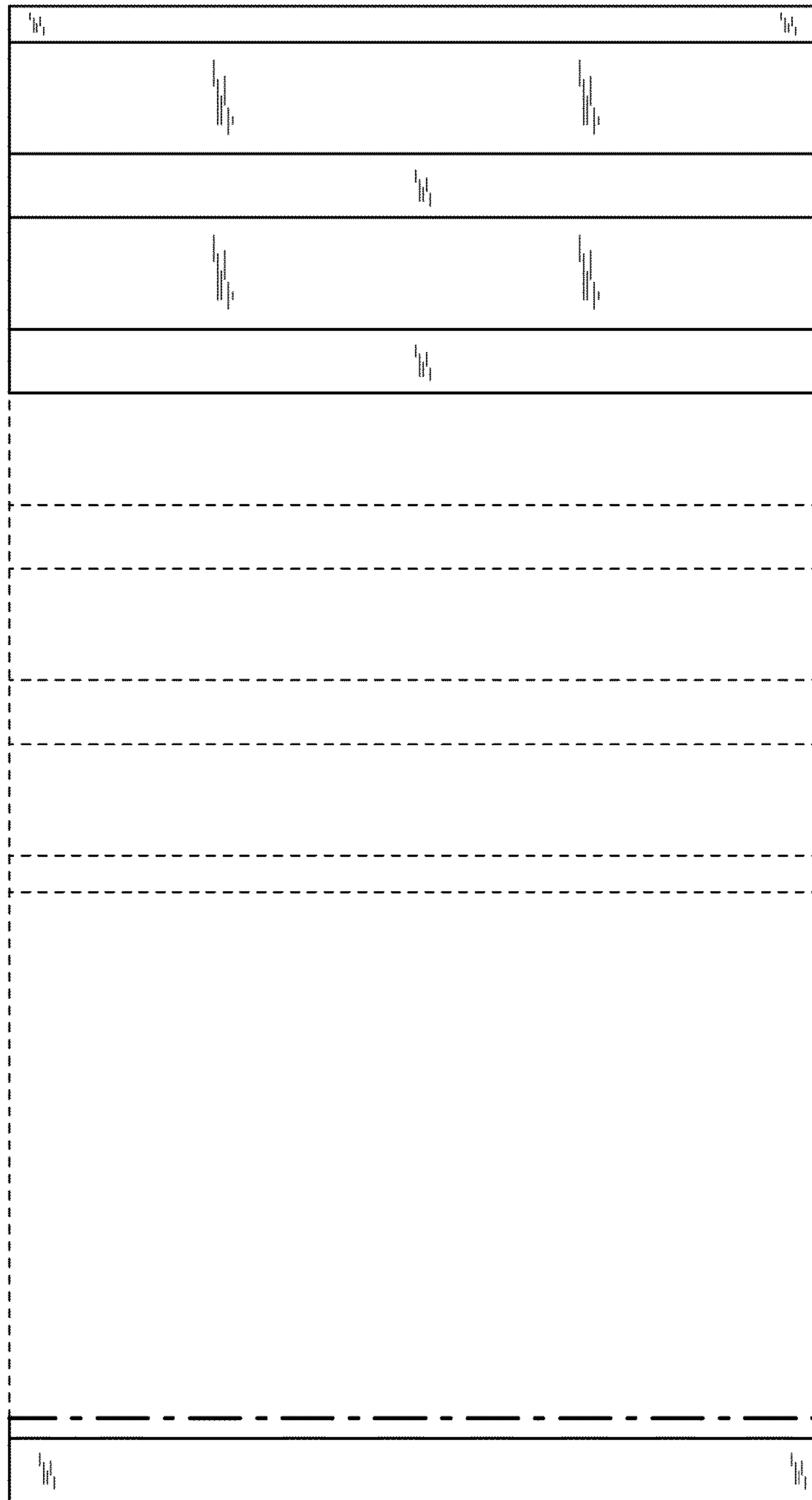


FIG. 14



FIG. 15



FIG. 16

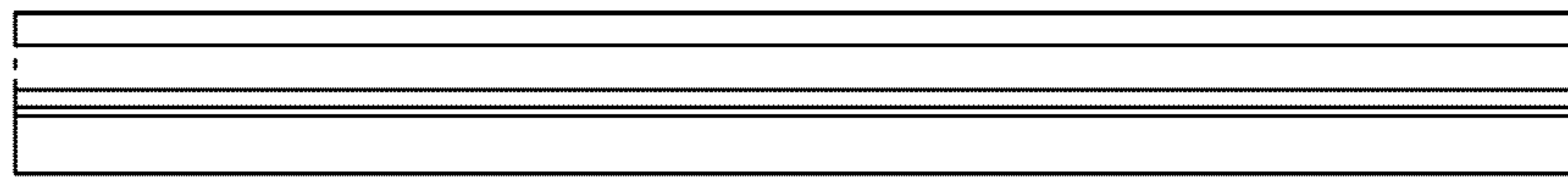


FIG. 17



FIG. 18

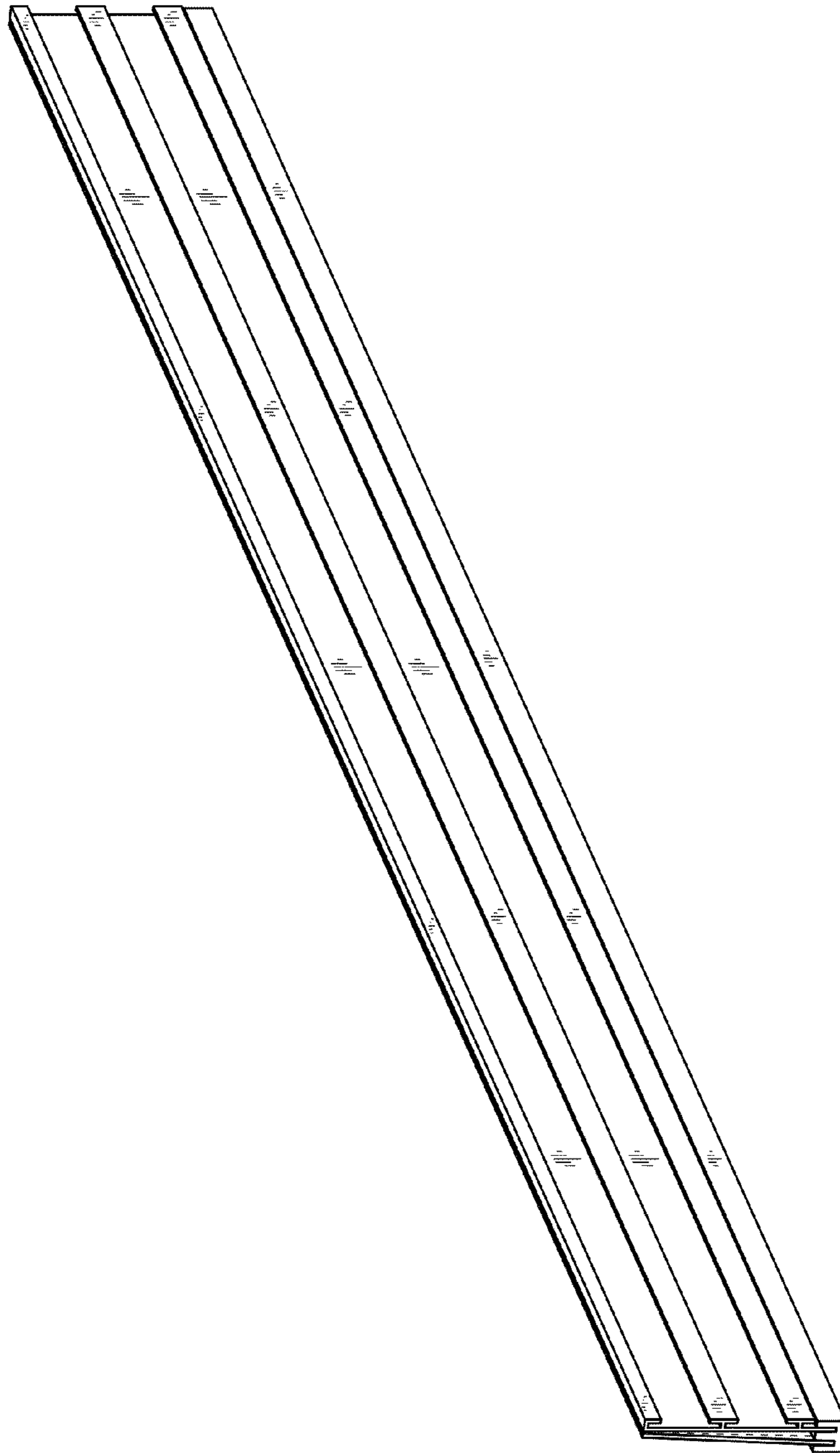


FIG. 19

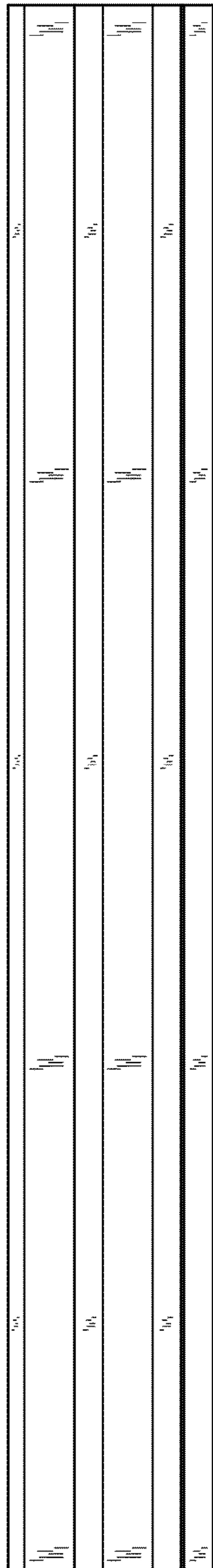


FIG. 20

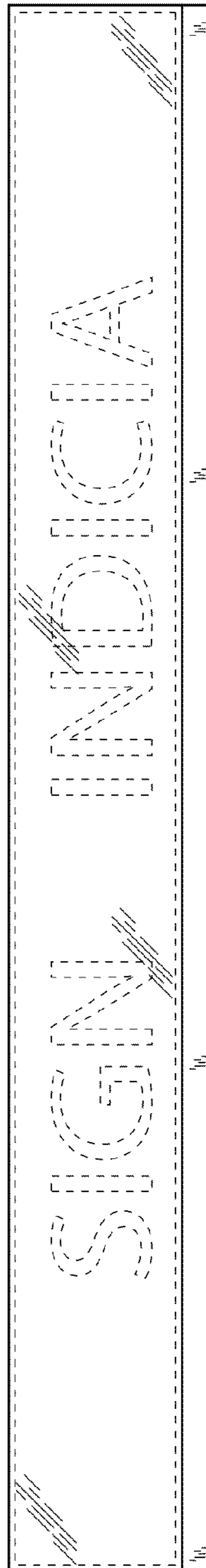


FIG. 21



FIG. 22

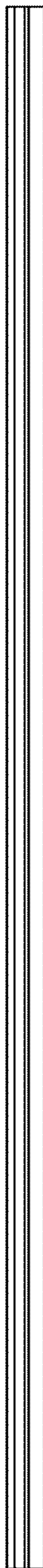


FIG. 23



FIG. 24

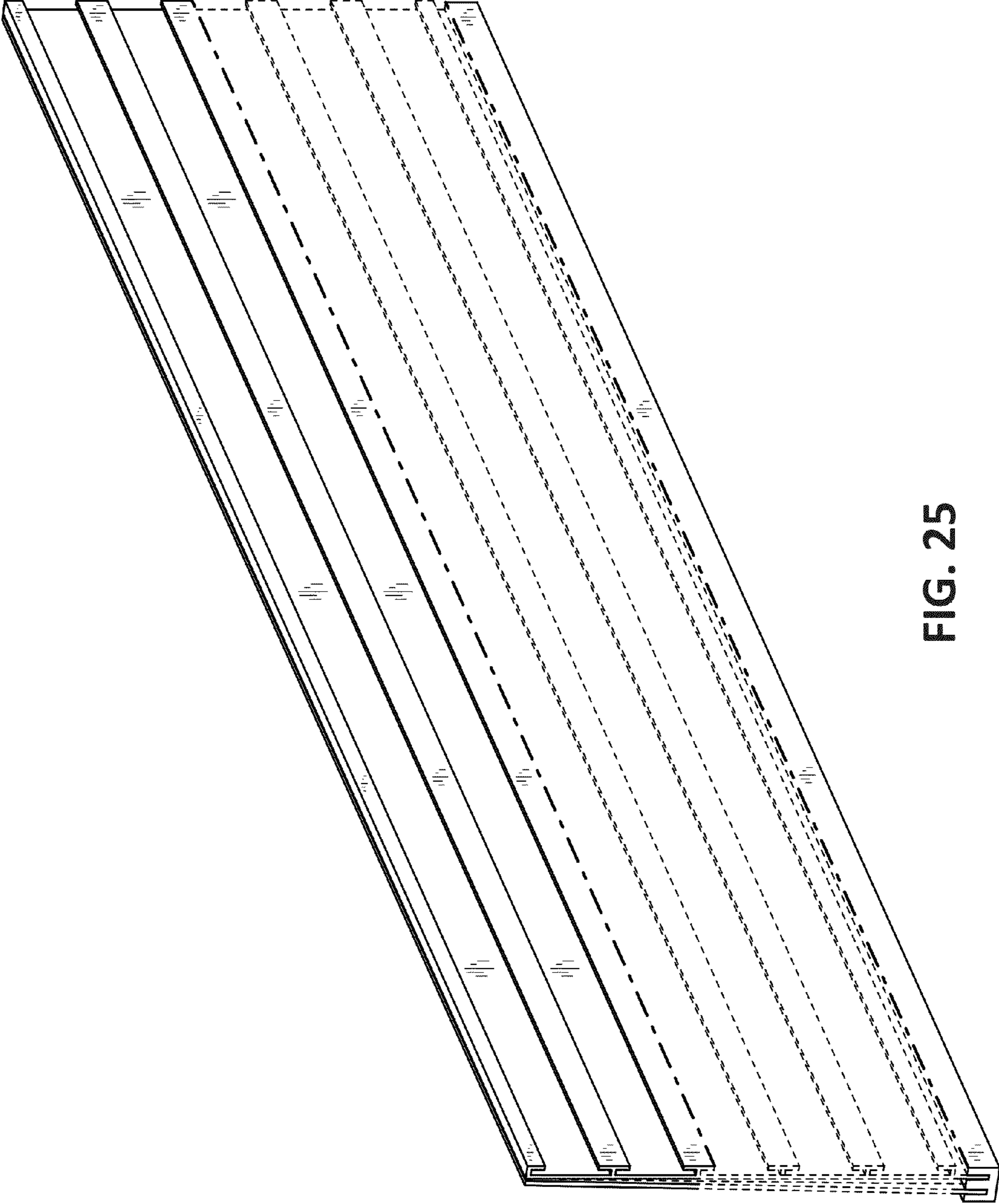


FIG. 25

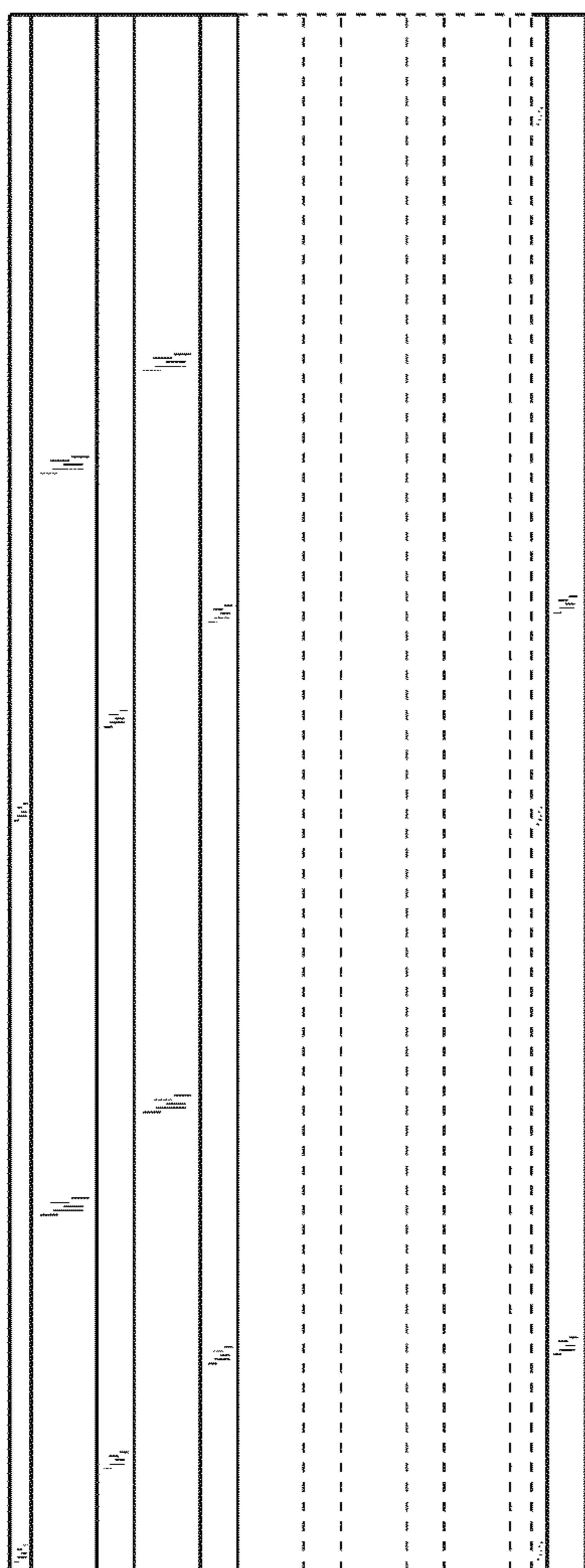


FIG. 26

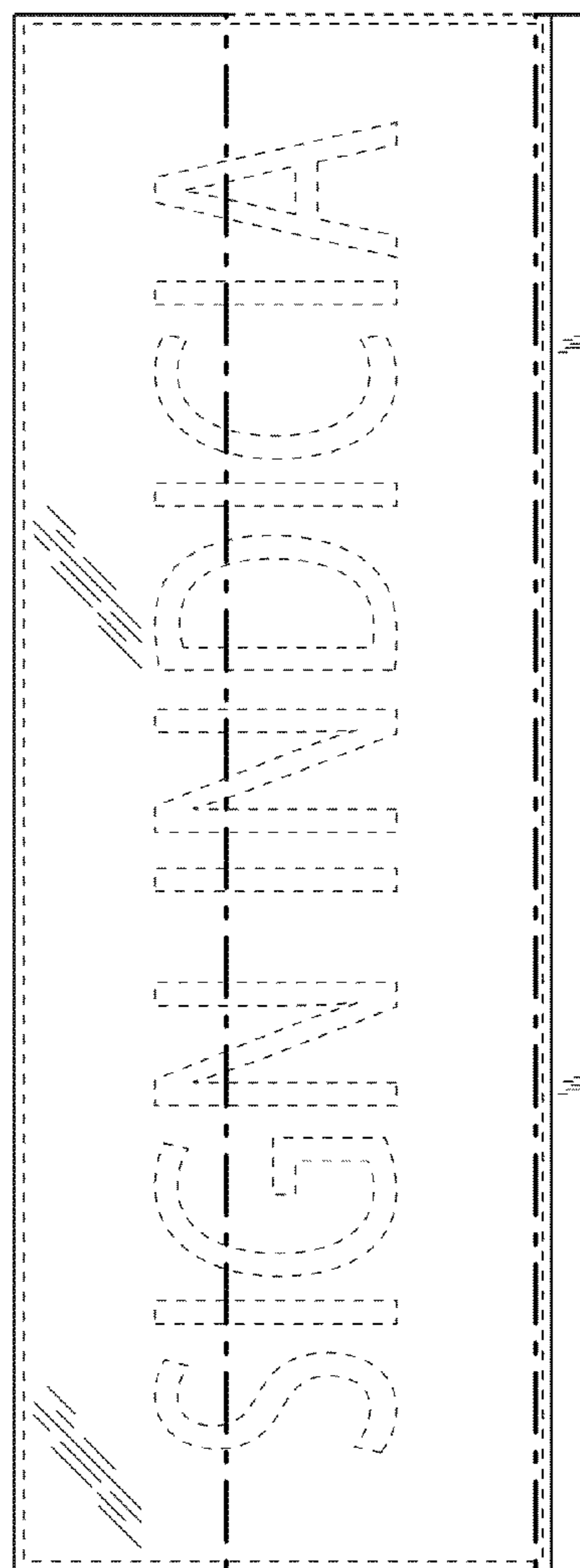


FIG. 27

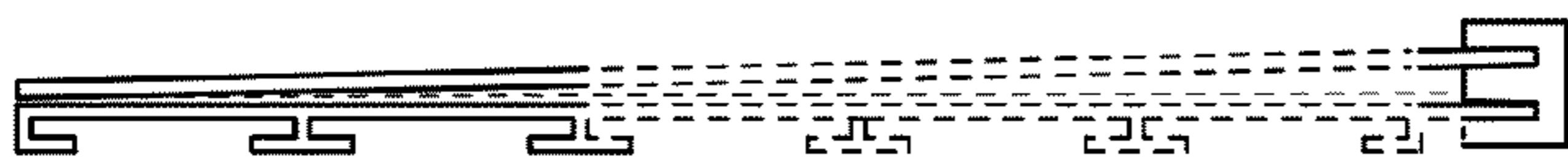


FIG. 28

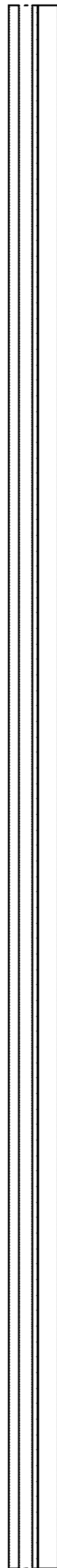


FIG. 29



FIG. 30