



US00D704266S

(12) **United States Design Patent**
Ettinger

(10) **Patent No.:** **US D704,266 S**

(45) **Date of Patent:** **** May 6, 2014**

(54) **DIAL INDICATOR**

(71) Applicant: **Kerry R. Ettinger**, San Rafael, CA (US)

(72) Inventor: **Kerry R. Ettinger**, San Rafael, CA (US)

(**) Term: **14 Years**

(21) Appl. No.: **29/438,752**

(22) Filed: **Dec. 3, 2012**

(51) **LOC (10) Cl.** **19-08**

(52) **U.S. Cl.**

USPC **D20/18; D20/26**

(58) **Field of Classification Search**

USPC D20/10, 18-20, 22-28, 99; 40/2, 27.5,
40/299.01, 310, 312, 316, 446, 625, 628,
40/629, 631, 661, 662.01; D10/46, 102,
D10/109.1; 116/200, 223, 284, 308; 368/10,
368/224, 327; 426/87

See application file for complete search history.

(56) **References Cited**

U.S. PATENT DOCUMENTS

D206,106 S * 10/1966 Murray D10/109.1
4,345,541 A * 8/1982 Villa-Real 116/308
D309,902 S * 8/1990 Schneider D15/9.1

5,577,335 A * 11/1996 Tucker 40/311
6,152,067 A * 11/2000 Mathison 116/308
D481,946 S * 11/2003 Nicholson et al. D9/436
6,857,935 B1 * 2/2005 Dohan 450/81
D532,827 S * 11/2006 Garfinkle D20/18
D681,490 S * 5/2013 Stansbury et al. D10/102
8,590,185 B1 * 11/2013 Jardine 40/586
2009/0025625 A1 * 1/2009 Lee 116/223
2009/0084305 A1 * 4/2009 Song 116/308
2013/0062346 A1 * 3/2013 Killinger et al. 220/212

* cited by examiner

Primary Examiner — Mary Ann Calabrese

(74) *Attorney, Agent, or Firm* — Patent Law Offices of
Michael E. Woods; Michael E. Woods

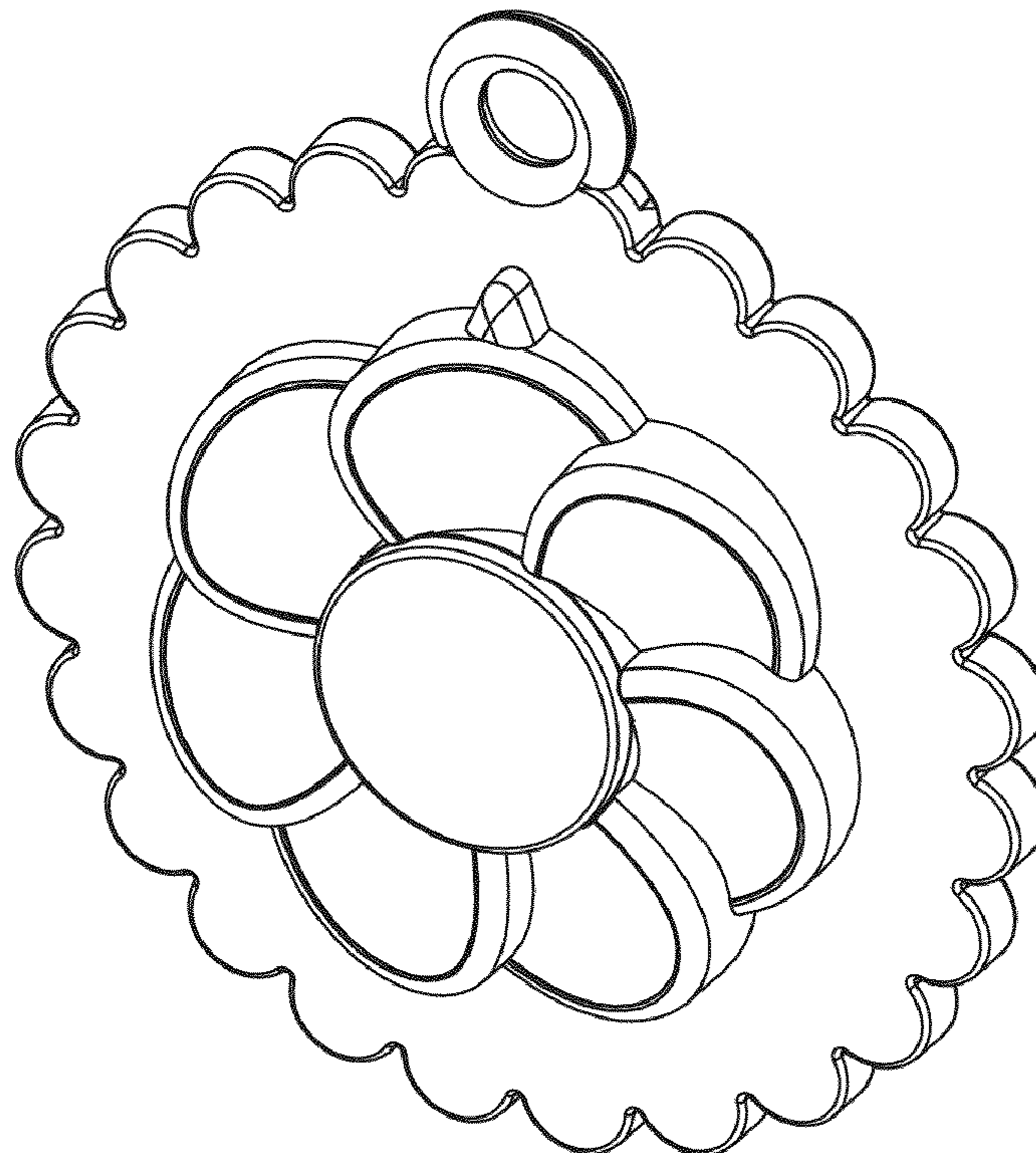
(57) **CLAIM**

The ornamental design for dial indicator, as shown and
described.

DESCRIPTION

FIG. 1 is a front perspective view of a dial indicator;
FIG. 2 is a front-elevational view thereof, the back-eleva-
tional view being a mirror-image;
FIG. 3 is a right-hand side-elevational view thereof, the left
hand side-elevational view being a mirror-image;
FIG. 4 is a top-plan view thereof; and,
FIG. 5 is a bottom-plan view thereof.

1 Claim, 5 Drawing Sheets



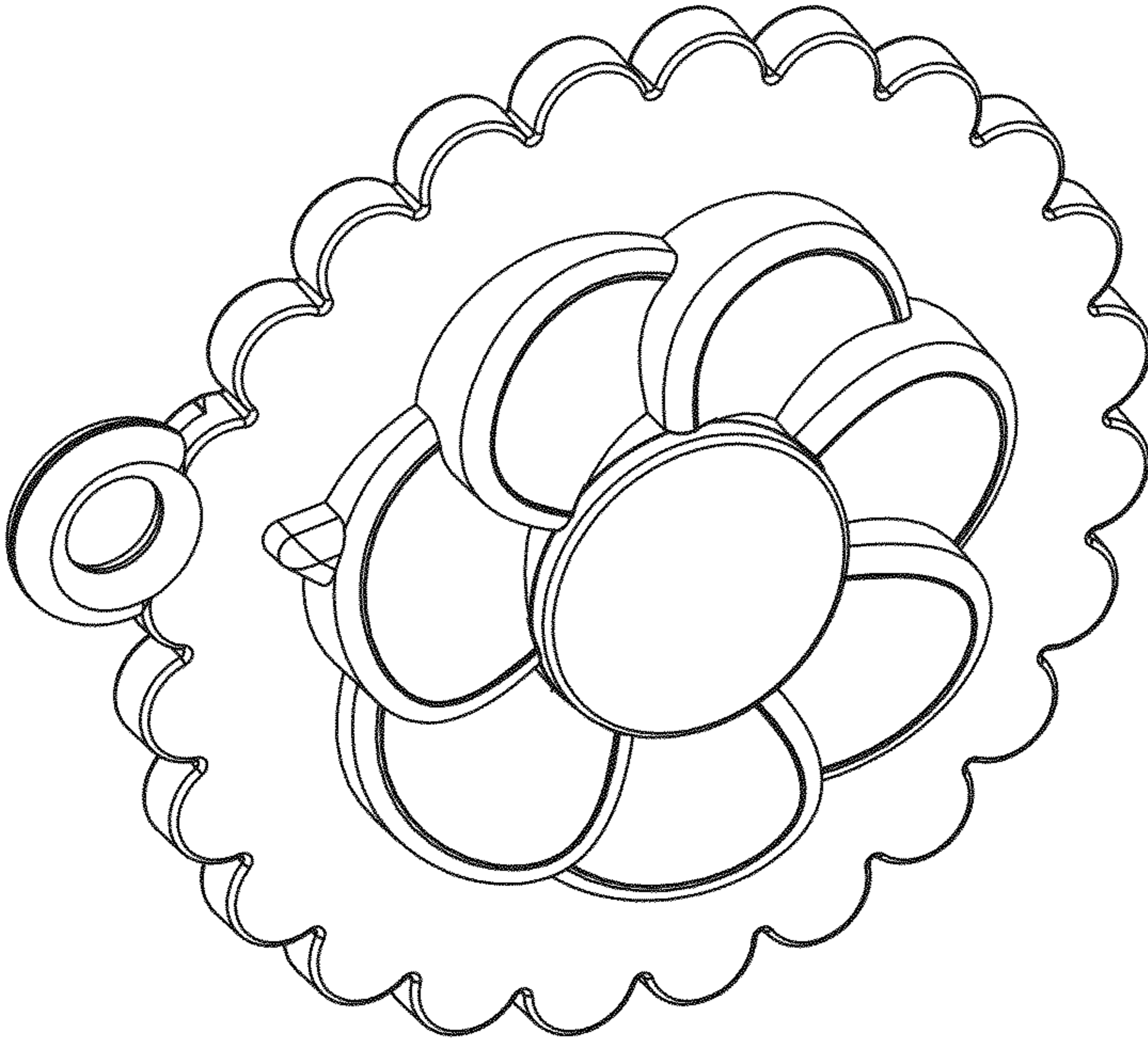


FIG. 1

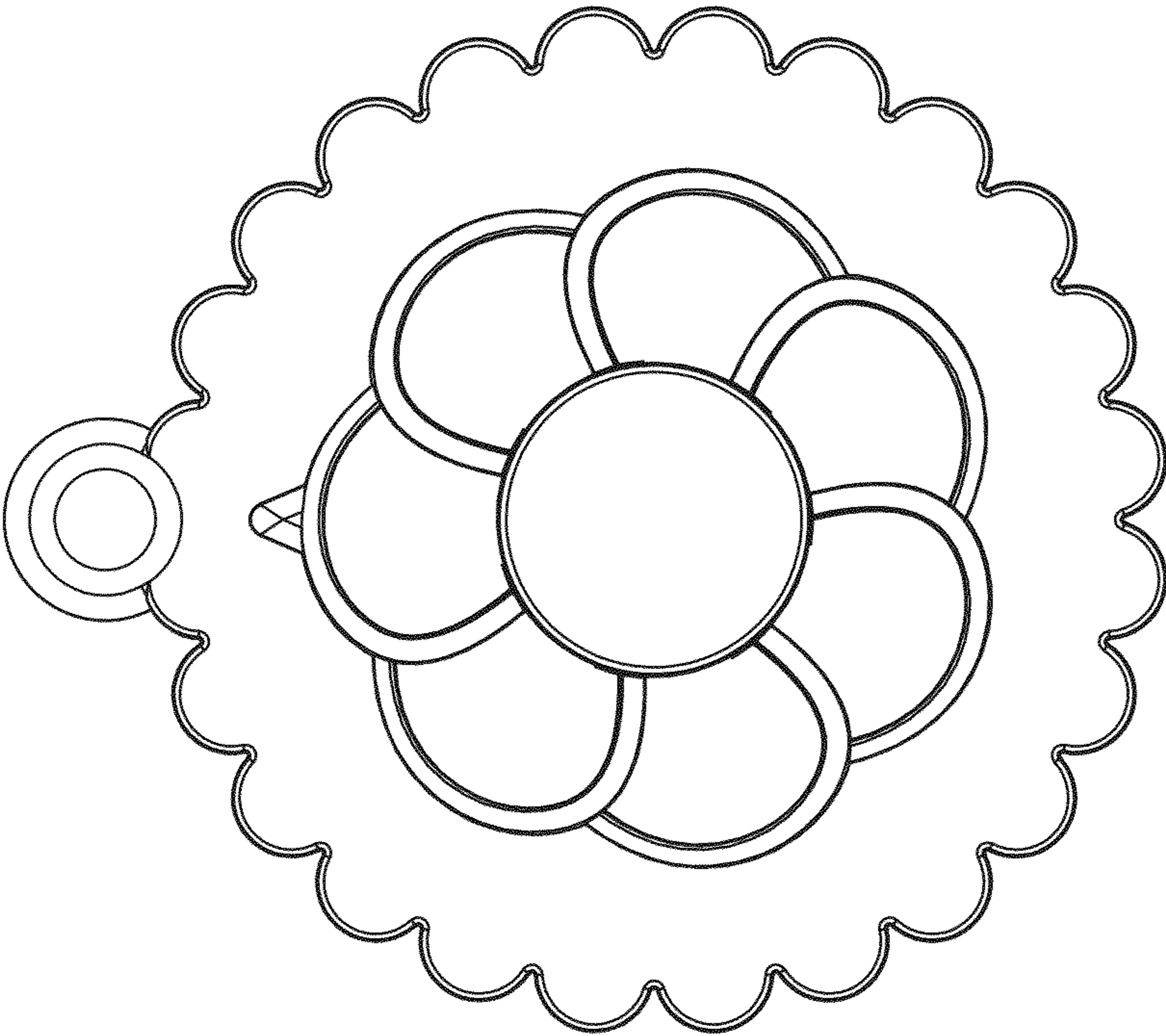


FIG. 2

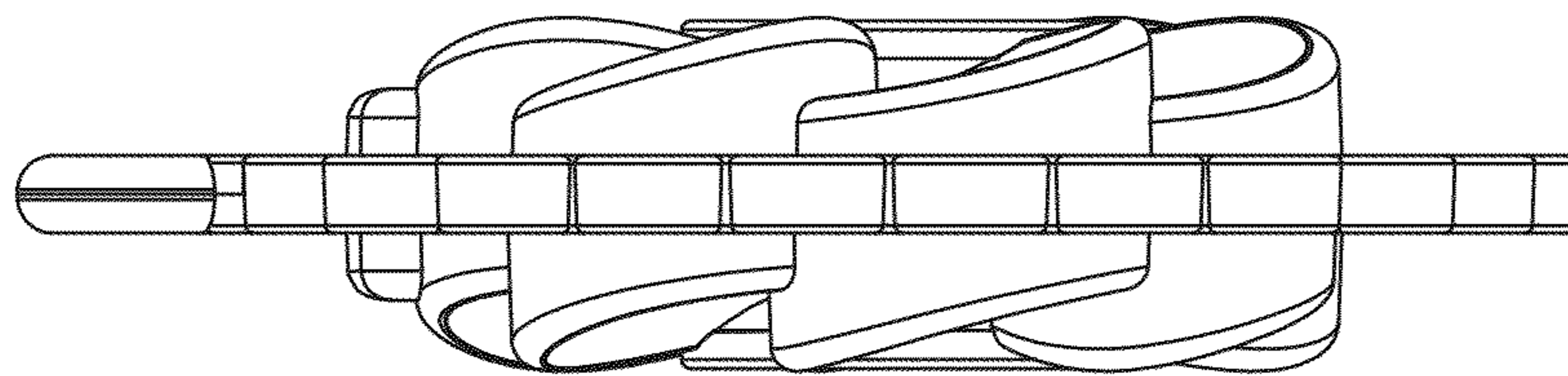


FIG. 3

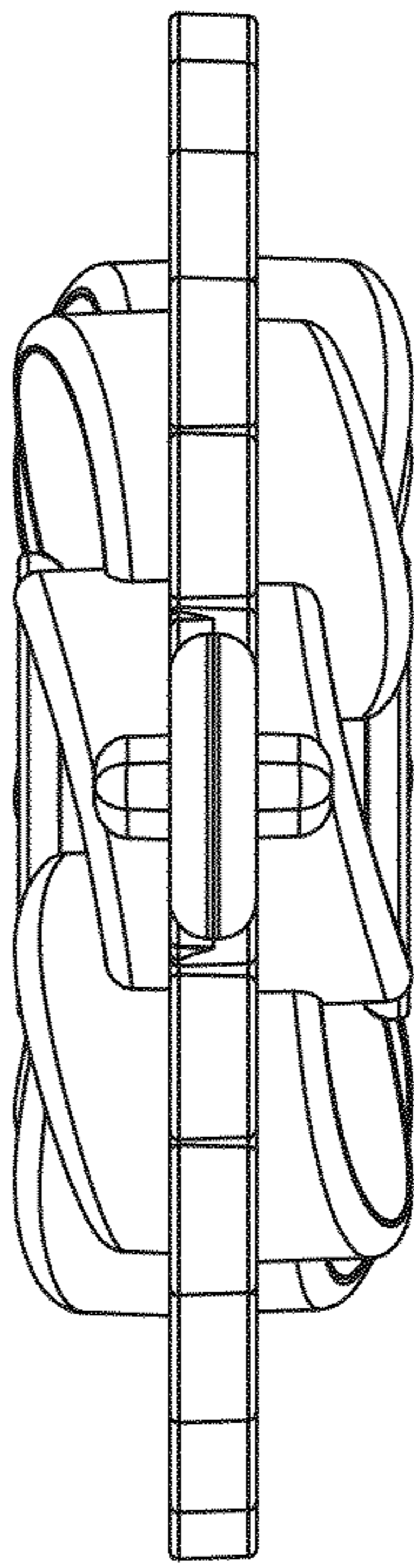


FIG. 4

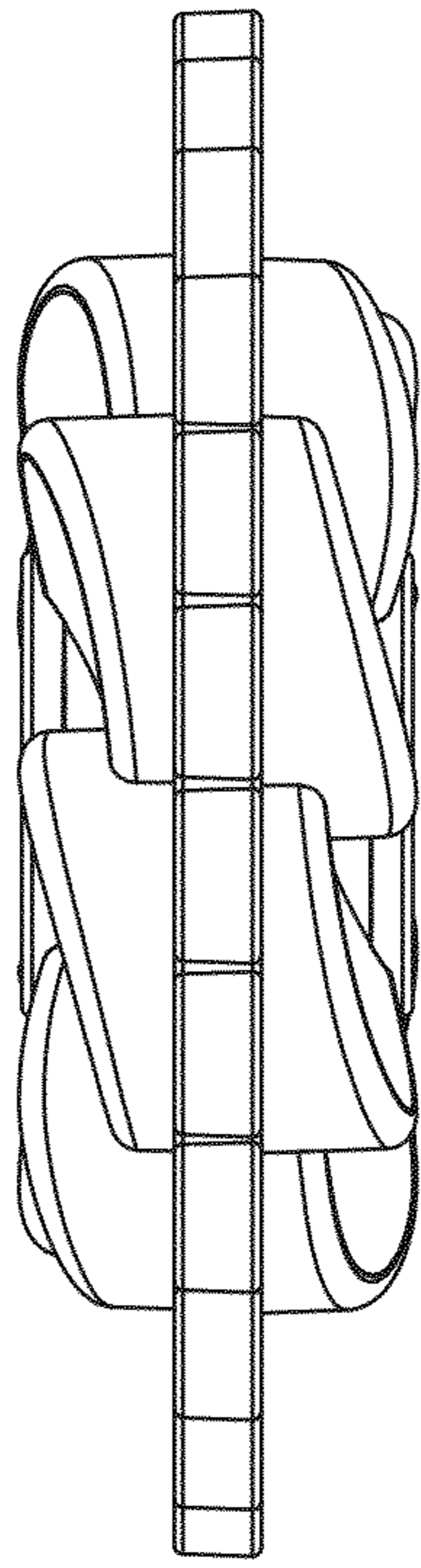


FIG. 5