



US00D704255S

(12) **United States Design Patent**
Schwarzkopf et al.

(10) **Patent No.:** **US D704,255 S**

(45) **Date of Patent:** **** May 6, 2014**

(54) **BILL PRESENTER**

(75) Inventors: **Aron Schwarzkopf**, Boston, MA (US);
Sebastian Castro, Boston, MA (US)

(73) Assignee: **Leaf Holdings, Inc.**, Cambridge, MA
(US)

(**) Term: **14 Years**

(21) Appl. No.: **29/418,496**

(22) Filed: **Apr. 17, 2012**

(51) **LOC (10) Cl.** **18-01**

(52) **U.S. Cl.**
USPC **D18/4.4**

(58) **Field of Classification Search**
USPC D14/336, 341, 345, 346, 371–376, 387;
D18/3.1–3.3, 4.1–4.6, 6–8, 11, 12,
D18/12.1–12.3; D21/324, 325, 332;
D99/28, 34–36, 43; 235/1 E, 2, 7 R, 12,
235/22, 33, 51, 52; 705/12, 15–18, 43
See application file for complete search history.

(56) **References Cited**

U.S. PATENT DOCUMENTS

D367,044 S *	2/1996	Arakaki	D18/4.6
D424,535 S *	5/2000	Peltola	D14/336
D463,419 S *	9/2002	Russmann et al.	D14/336
D496,034 S *	9/2004	Guerrera et al.	D14/336
D502,944 S *	3/2005	Kawami et al.	D14/336
7,370,794 B2	5/2008	Trane		
D587,744 S *	3/2009	Nelson et al.	D18/4.6
D624,114 S *	9/2010	Ausems et al.	D18/4.6

D624,115 S *	9/2010	Ausems et al.	D18/4.6
D638,012 S *	5/2011	Tian et al.	D14/341
D638,014 S *	5/2011	Chong et al.	D14/336
D638,015 S *	5/2011	Chong et al.	D14/336
D681,033 S *	4/2013	Chen et al.	D14/345
D687,431 S *	8/2013	Landis et al.	D14/336
2001/0050676 A1	12/2001	Kocsis		
2004/0054592 A1	3/2004	Hernblad		
2004/0158494 A1	8/2004	Suthar		
2005/0261974 A1	11/2005	Podratz		
2010/0145861 A1	6/2010	Law et al.		

* cited by examiner

Primary Examiner — Elizabeth Albert

(74) *Attorney, Agent, or Firm* — Cooley LLP

(57) **CLAIM**

The ornamental design for a bill presenter, as shown and described.

DESCRIPTION

FIG. 1 is a perspective view of the bill presenter showing our new design;

FIG. 2 is a front view thereof;

FIG. 3 is a back view thereof;

FIG. 4 is a top view thereof;

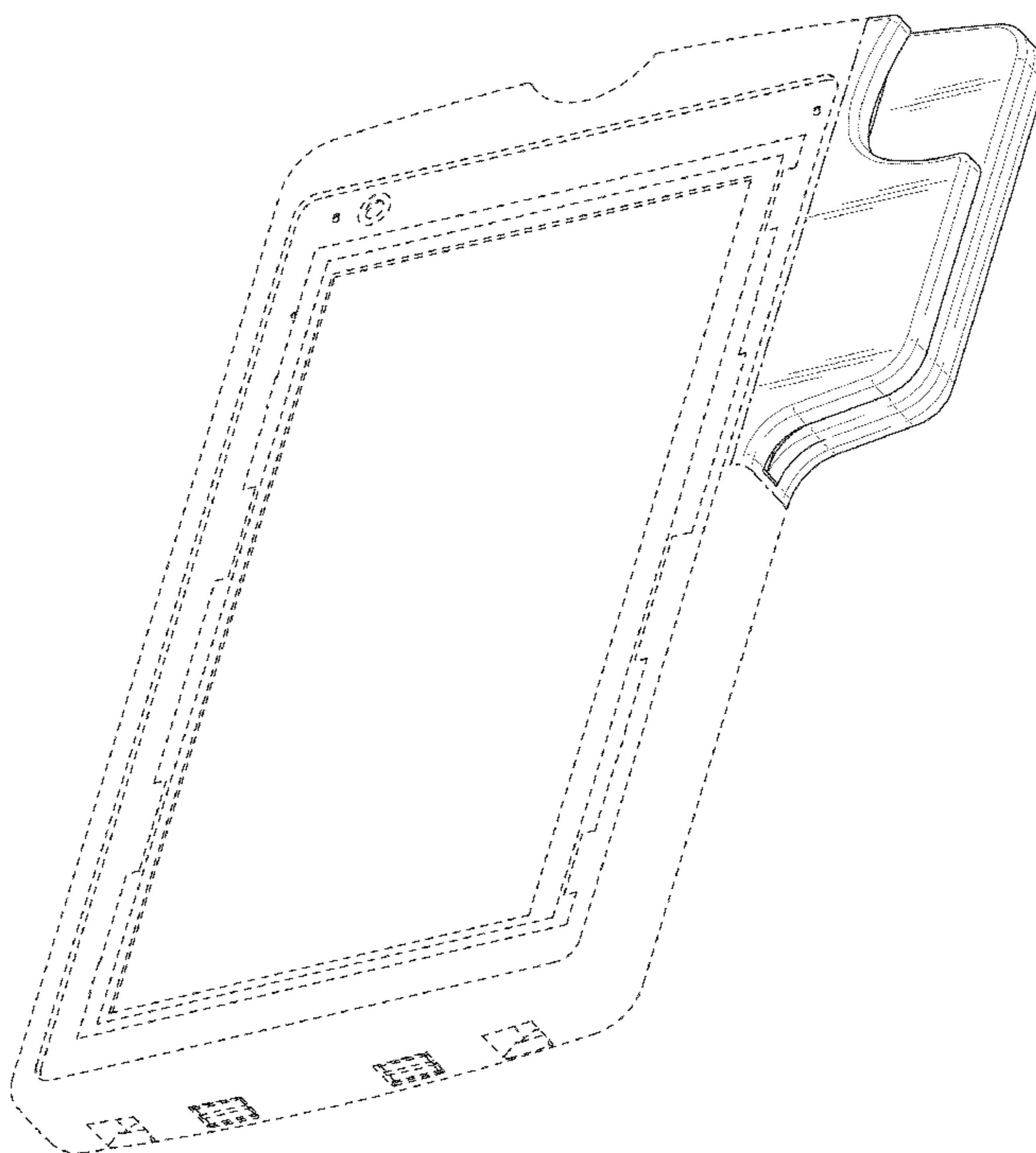
FIG. 5 is a bottom view thereof;

FIG. 6 is a left side view thereof; and,

FIG. 7 is a right side view thereof.

The long and short broken lines immediately adjacent to the shaded areas define the bounds of the claimed design form no part thereof; the evenly spaced broken lines are included for the purpose of illustrating the portion of the bill presenter that forms no part of the claimed design.

1 Claim, 5 Drawing Sheets



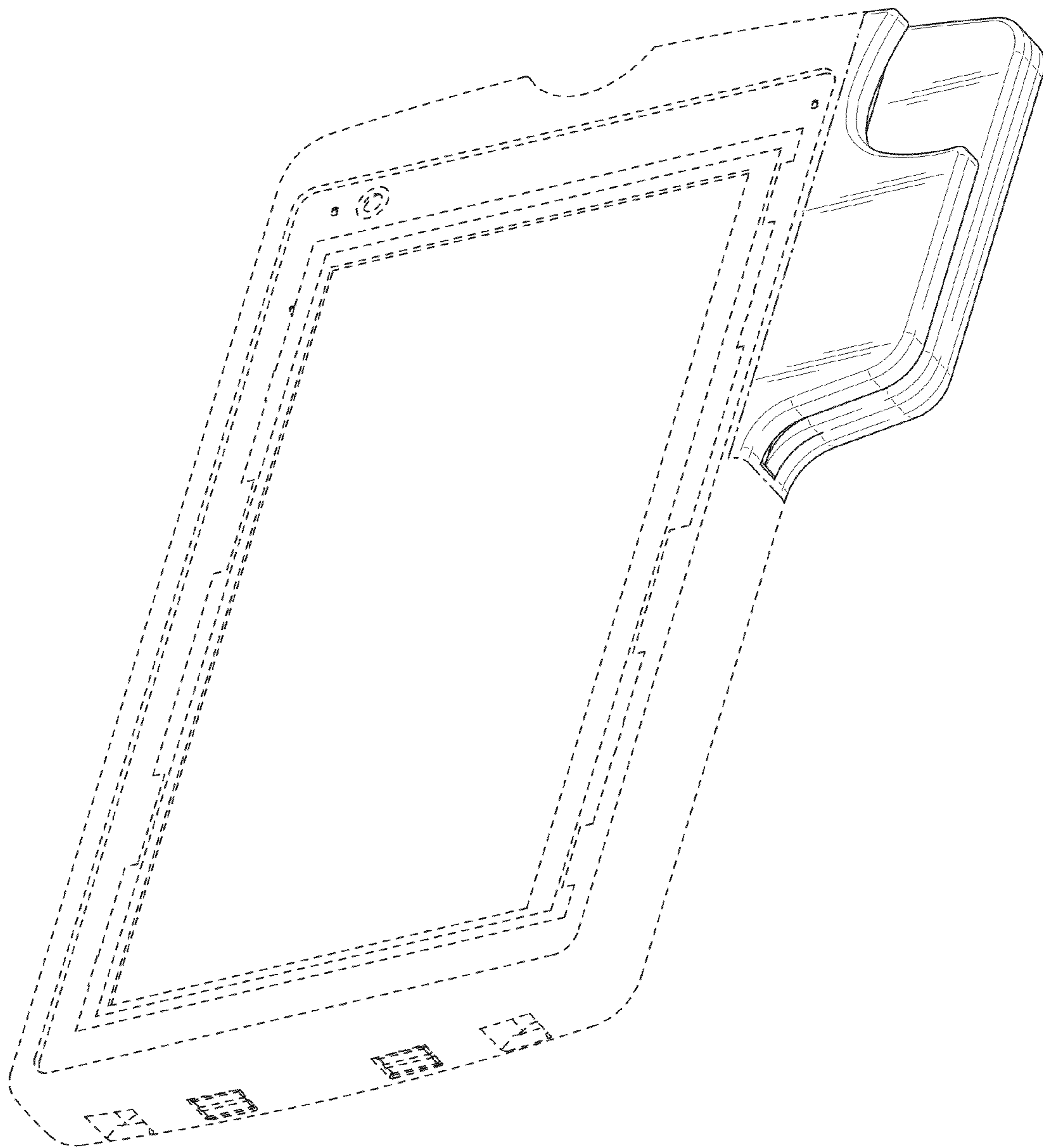


FIG.1

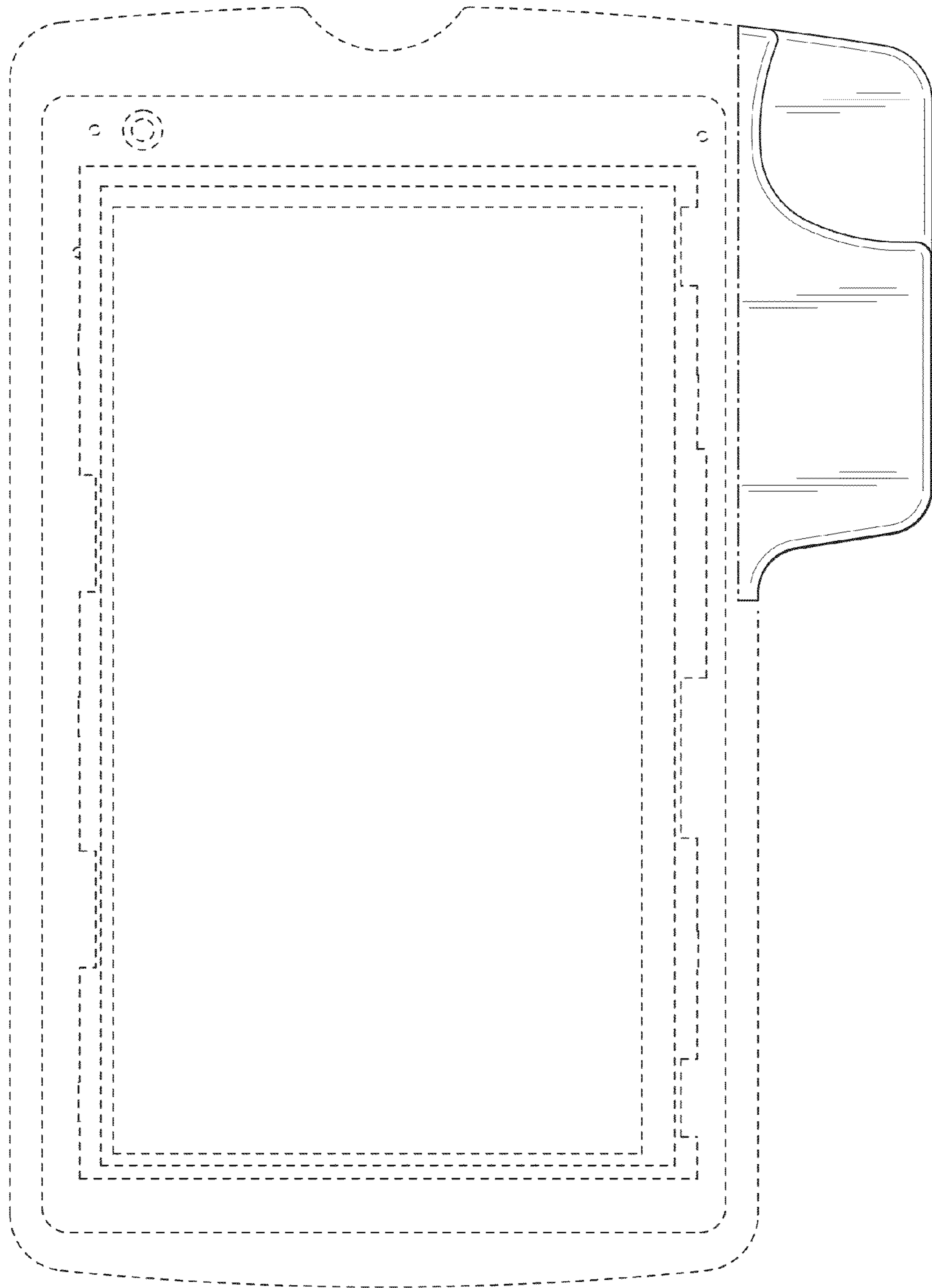


FIG.2

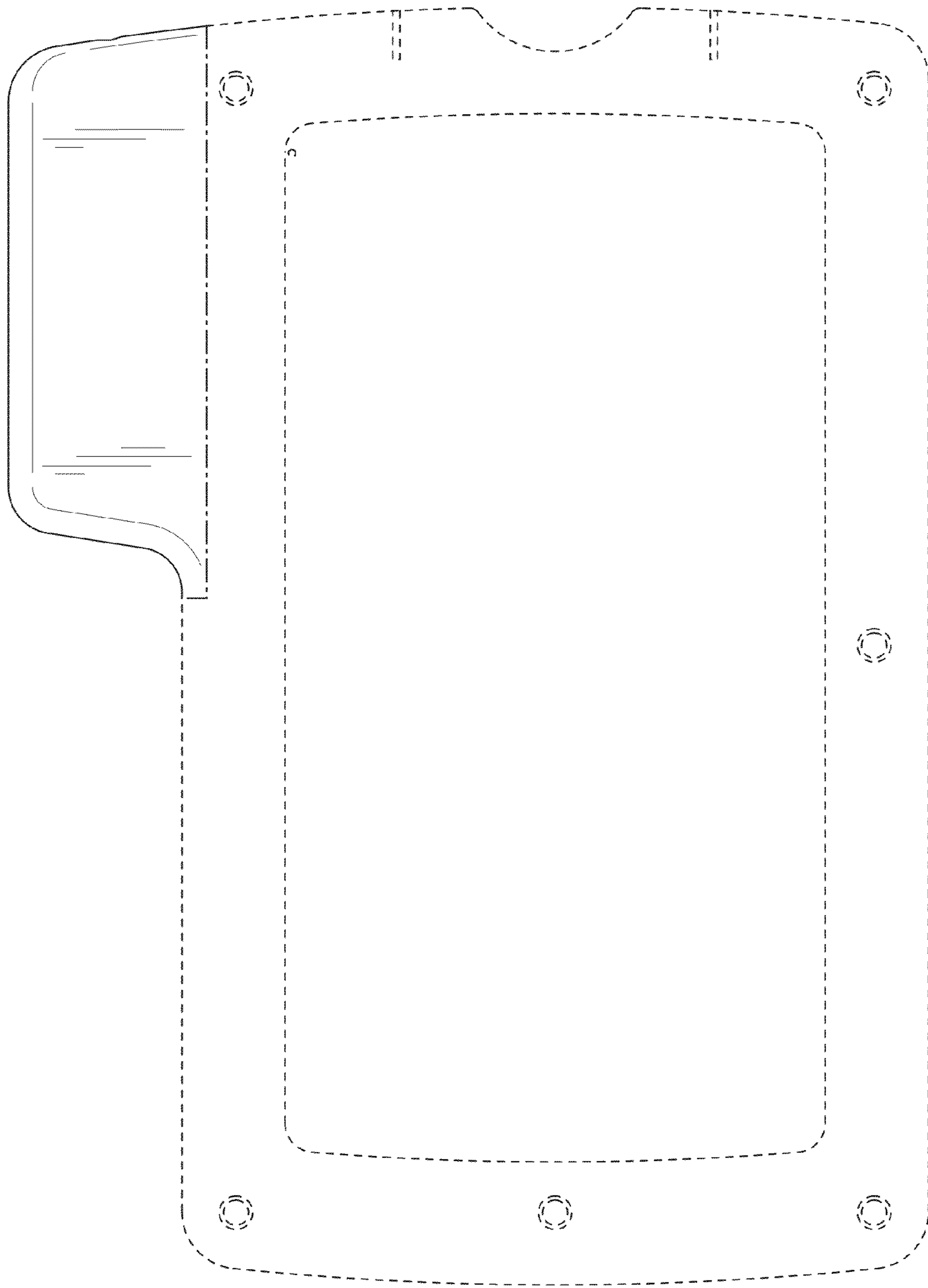


FIG.3

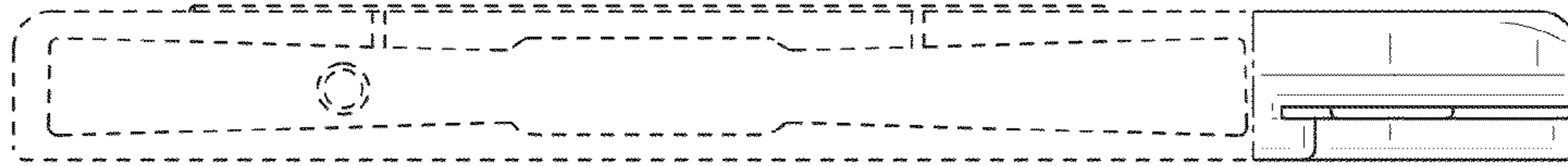


FIG.4



FIG.5

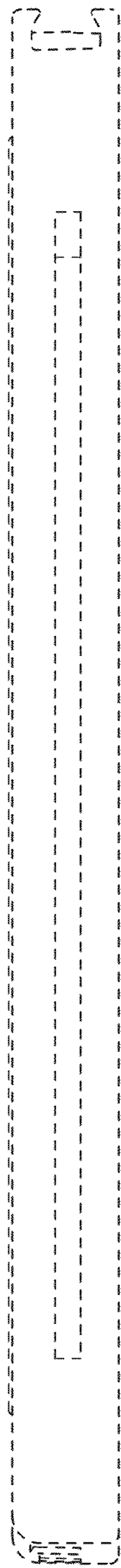


FIG. 6

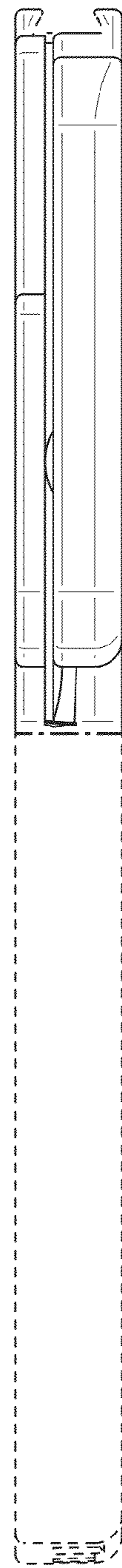


FIG. 7