



US00D704254S

(12) **United States Design Patent**
Gray

(10) **Patent No.:** **US D704,254 S**

(45) **Date of Patent:** **** May 6, 2014**

- (54) **ACOUSTIC GUITAR BRIDGE PIN**
- (71) Applicant: **William Gray**, Topanga, CA (US)
- (72) Inventor: **William Gray**, Topanga, CA (US)
- (**) Term: **14 Years**
- (21) Appl. No.: **29/450,308**
- (22) Filed: **Mar. 15, 2013**
- (51) **LOC (10) Cl.** **17-03**
- (52) **U.S. Cl.**
USPC **D17/20**
- (58) **Field of Classification Search**
USPC D17/14, 20, 21, 99; 84/267, 290, 291,
84/293, 297 R, 298, 307, 314 R, 453, 327
See application file for complete search history.

(56) **References Cited**

U.S. PATENT DOCUMENTS

D87,593 S *	8/1932	Preisner	D17/20
D301,892 S *	6/1989	Jablonski	D17/20
D468,760 S *	1/2003	Powers et al.	D17/20
6,613,969 B1 *	9/2003	Petillo et al.	84/314 R
6,706,957 B1 *	3/2004	Merkel	84/314 N
6,957,795 B1 *	10/2005	Hsieh	248/316.4
7,663,038 B2 *	2/2010	Stadler	84/307
D646,710 S *	10/2011	Chaput	D17/20

D685,410 S *	7/2013	Chaput	D17/20
D688,735 S *	8/2013	Chaput	D17/20
2010/0116123 A1 *	5/2010	Barbera	84/731

FOREIGN PATENT DOCUMENTS

JP 2002073031 A * 3/2002 G10H 3/18

* cited by examiner

Primary Examiner — Rashida Johnson

(57) **CLAIM**

I claim the ornamental design for an acoustic guitar bridge pin, as shown and described.

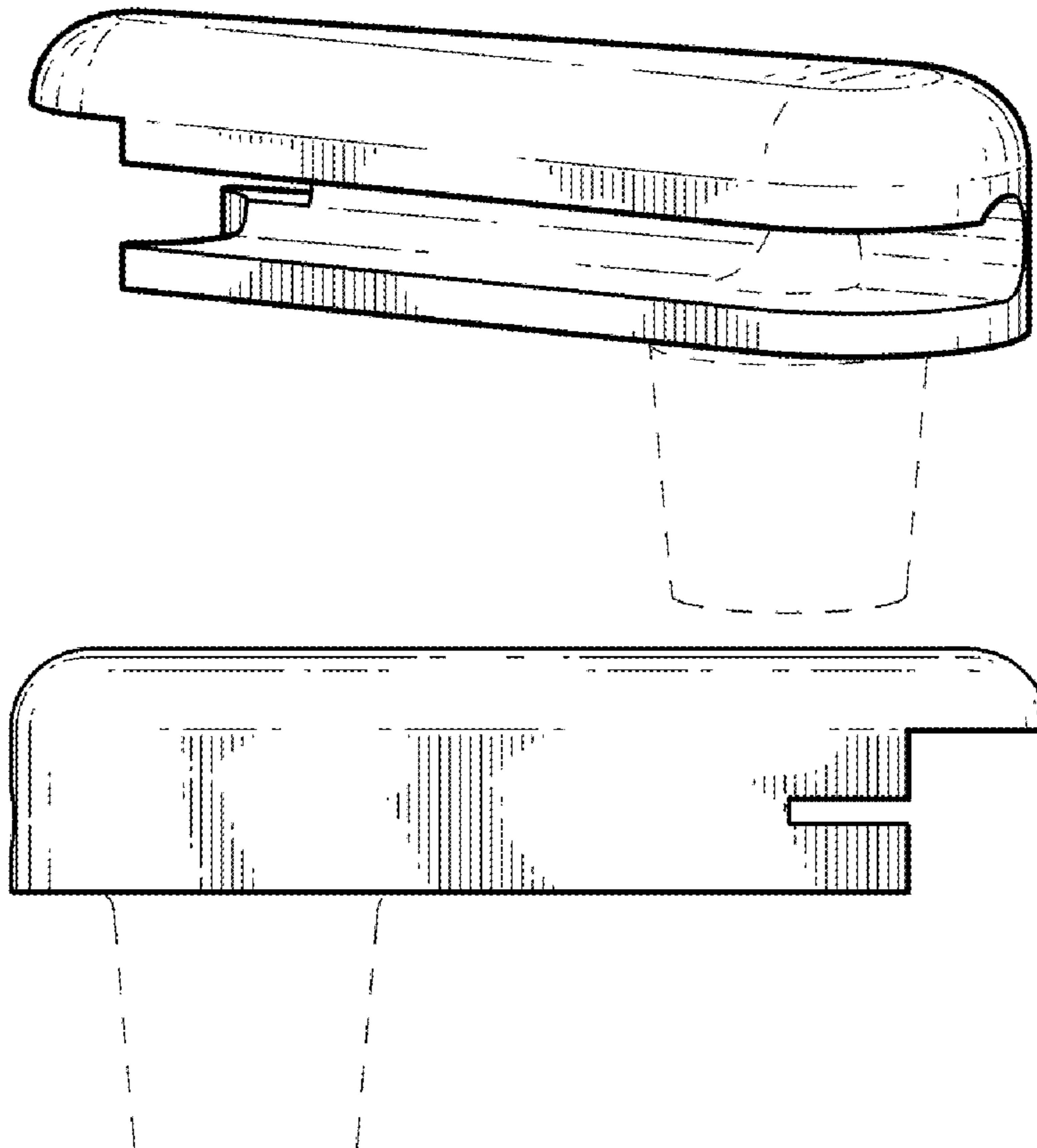
DESCRIPTION

FIG. 1 is a three-quarter perspective view of an acoustic guitar bridge pin, showing my new design;
 FIG. 2 is a front elevational view thereof;
 FIG. 3 is a rear elevational view, thereof;
 FIG. 4 is a left-side view, thereof;
 FIG. 5 is a right-side view, thereof;
 FIG. 6 is a top plan view, thereof; and,
 FIG. 7 is a bottom plan view, thereof.

The broken lines shown in FIGS. 1-5 and 7 illustrate the environment in which the design is used and form no part of the claim.

The claimed acoustic guitar bridge pin, is used to anchor strings, to the bridge, on an acoustic guitar.

1 Claim, 2 Drawing Sheets



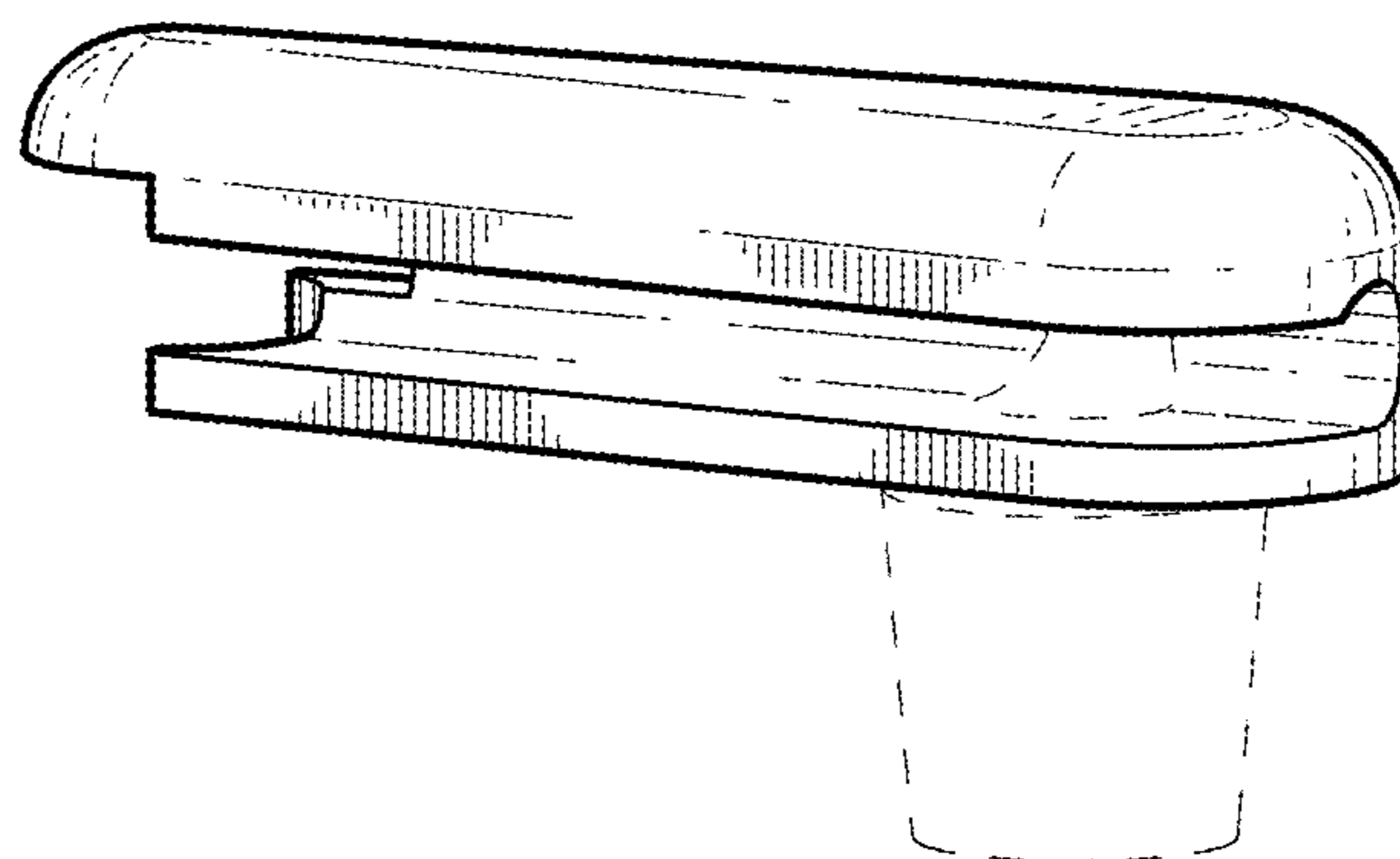


FIG. 1

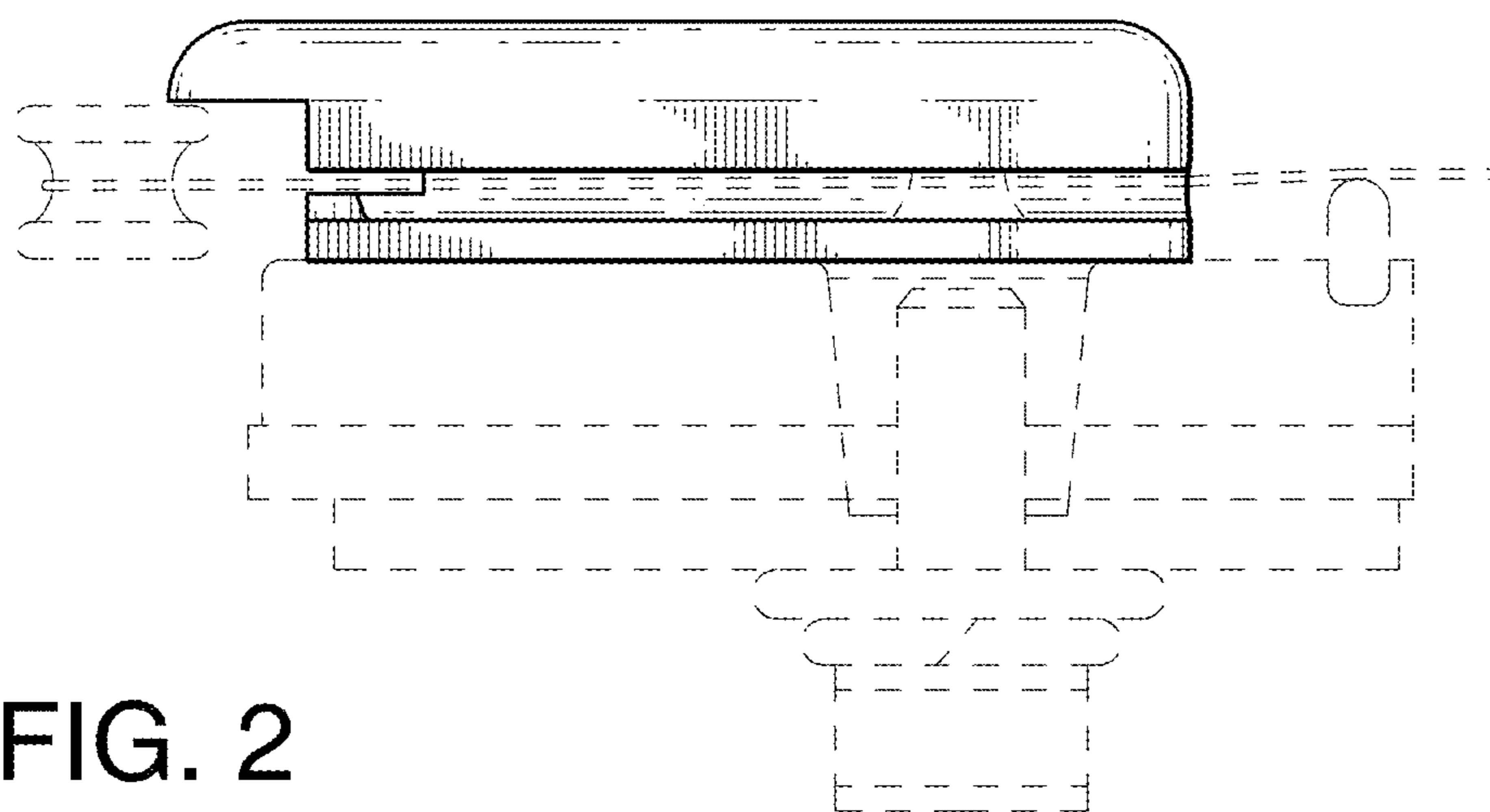


FIG. 2

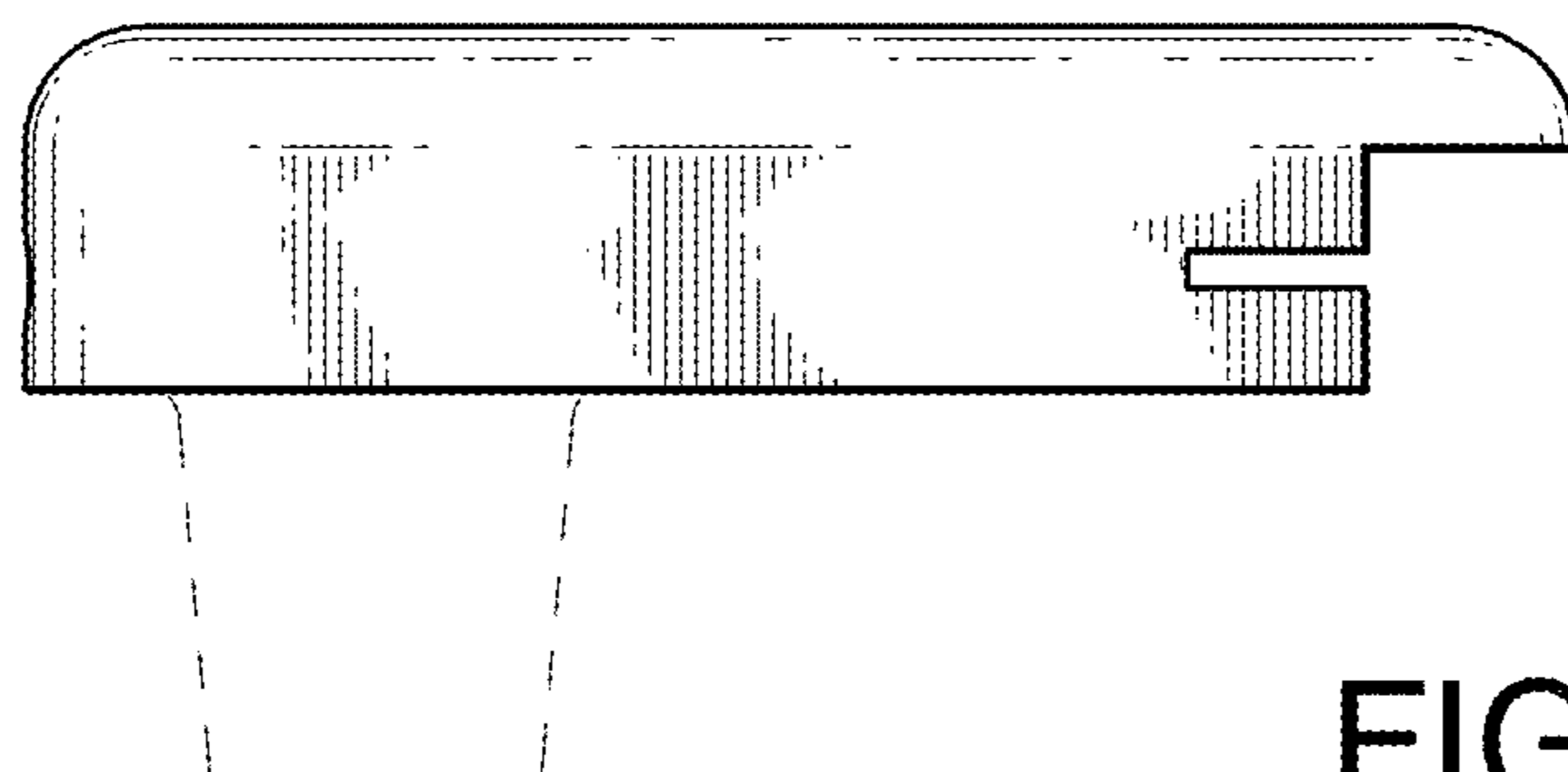


FIG. 3

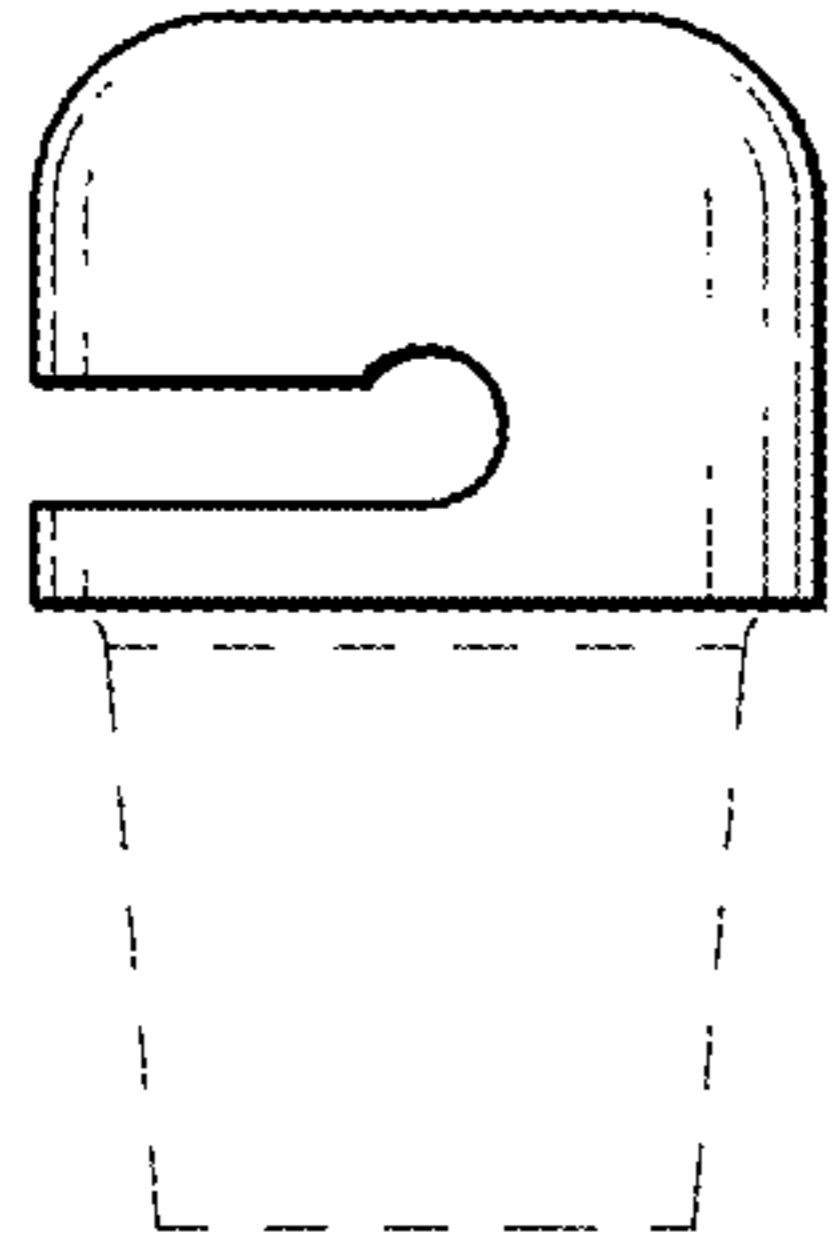


FIG. 4

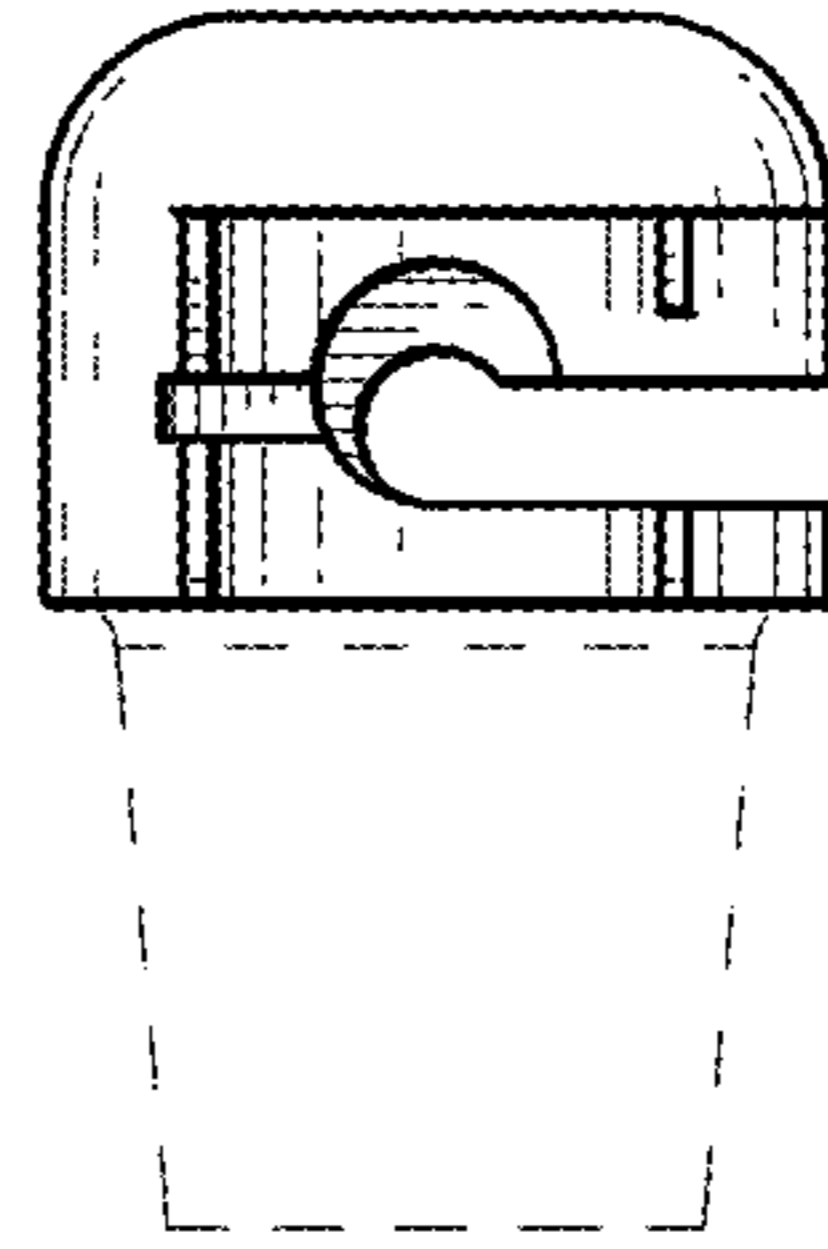


FIG. 5

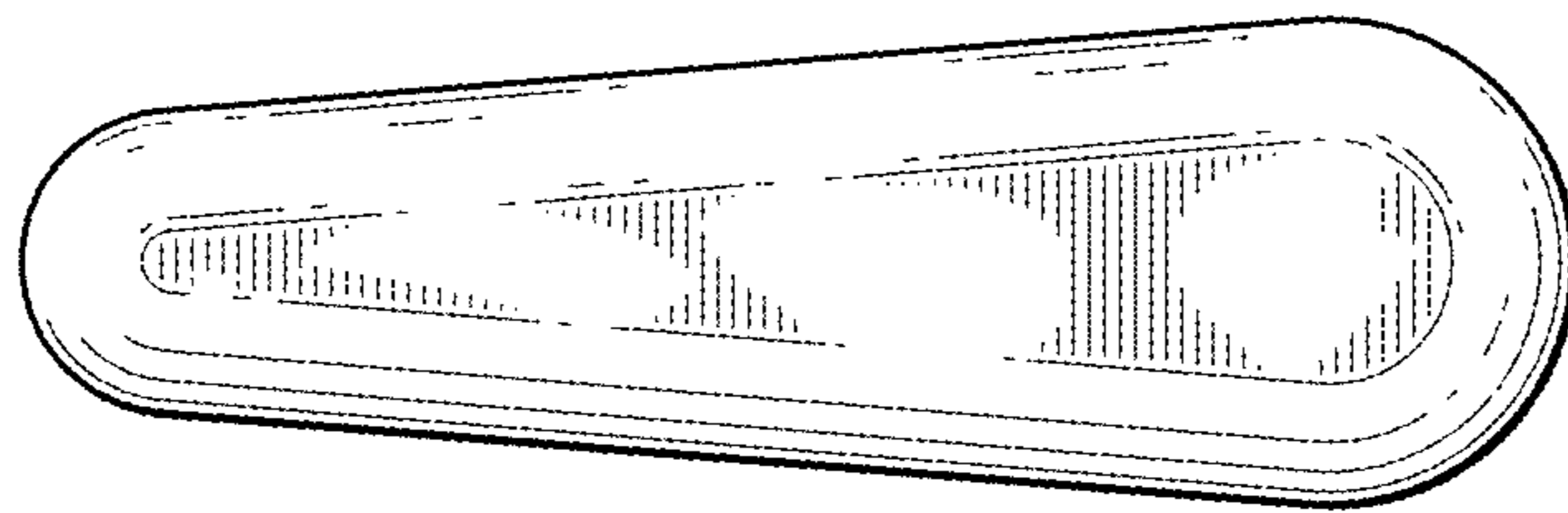


FIG. 6

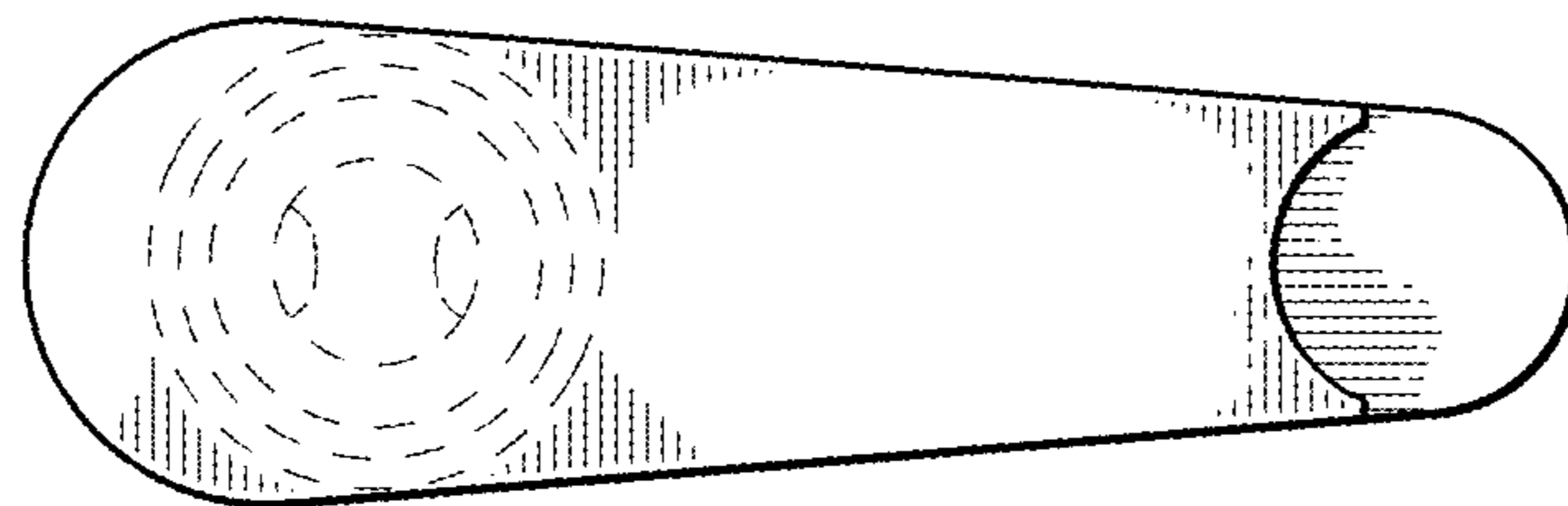


FIG. 7