



US00D704250S

(12) **United States Design Patent**  
**Miera**

(10) **Patent No.:** **US D704,250 S**  
(45) **Date of Patent:** **\*\* May 6, 2014**

(54) **EYEWEAR**

(71) Applicant: **Miner Distribution Alliance, Inc.**,  
Monument, CO (US)

(72) Inventor: **Brandon Miera**, Colorado Springs, CO  
(US)

(73) Assignee: **Milner Distribution Alliance, Inc.**,  
Monument, CO (US)

(\*\*) Term: **14 Years**

(21) Appl. No.: **29/466,101**

(22) Filed: **Sep. 4, 2013**

(51) **LOC (10) Cl.** ..... **16-06**

(52) **U.S. Cl.**  
USPC ..... **D16/313; D16/326**

(58) **Field of Classification Search**  
USPC ..... D16/101, 300-342, 900; D29/109-110;  
351/41, 44, 51-52, 62, 158, 92,  
351/103-123, 140-153, 45-46; 2/426-432,  
2/447-449, 441, 434-437, 13, 15;  
D21/483, 659-661; D14/372  
See application file for complete search history.

(56) **References Cited**

**U.S. PATENT DOCUMENTS**

D323,333 S	1/1992	Jannard et al.
D325,040 S	3/1992	Jannard
D329,445 S	9/1992	Jannard
D330,035 S	10/1992	Jannard
D330,716 S	11/1992	Jannard
D342,959 S	1/1994	Jannard et al.
D354,501 S	1/1995	Jannard
5,541,674 A	7/1996	Jannard
D376,810 S	12/1996	Ohie
D384,364 S	9/1997	Yee
D399,519 S	10/1998	Yee
D399,866 S	10/1998	Yee

D400,232 S	10/1998	Jannard et al.
D407,428 S	3/1999	Jannard et al.
D415,188 S	10/1999	Thixton et al.
D456,441 S	4/2002	Jannard et al.
D464,669 S	10/2002	Thixton et al.
D469,459 S	1/2003	Moritz
D478,114 S	8/2003	Yee
D478,929 S	8/2003	Baden et al.
D484,173 S	12/2003	Jannard et al.
D496,383 S	9/2004	Yee et al.
D496,680 S	9/2004	Yee
D497,380 S	10/2004	Thixton et al.
D502,959 S	3/2005	Hsu
D508,515 S	8/2005	Yee et al.

(Continued)

**FOREIGN PATENT DOCUMENTS**

DE	29912275 U1	11/1999
EP	1582909 A1	10/2005
JP	2007286210 A	11/2007
WO	9721139 A1	6/1997

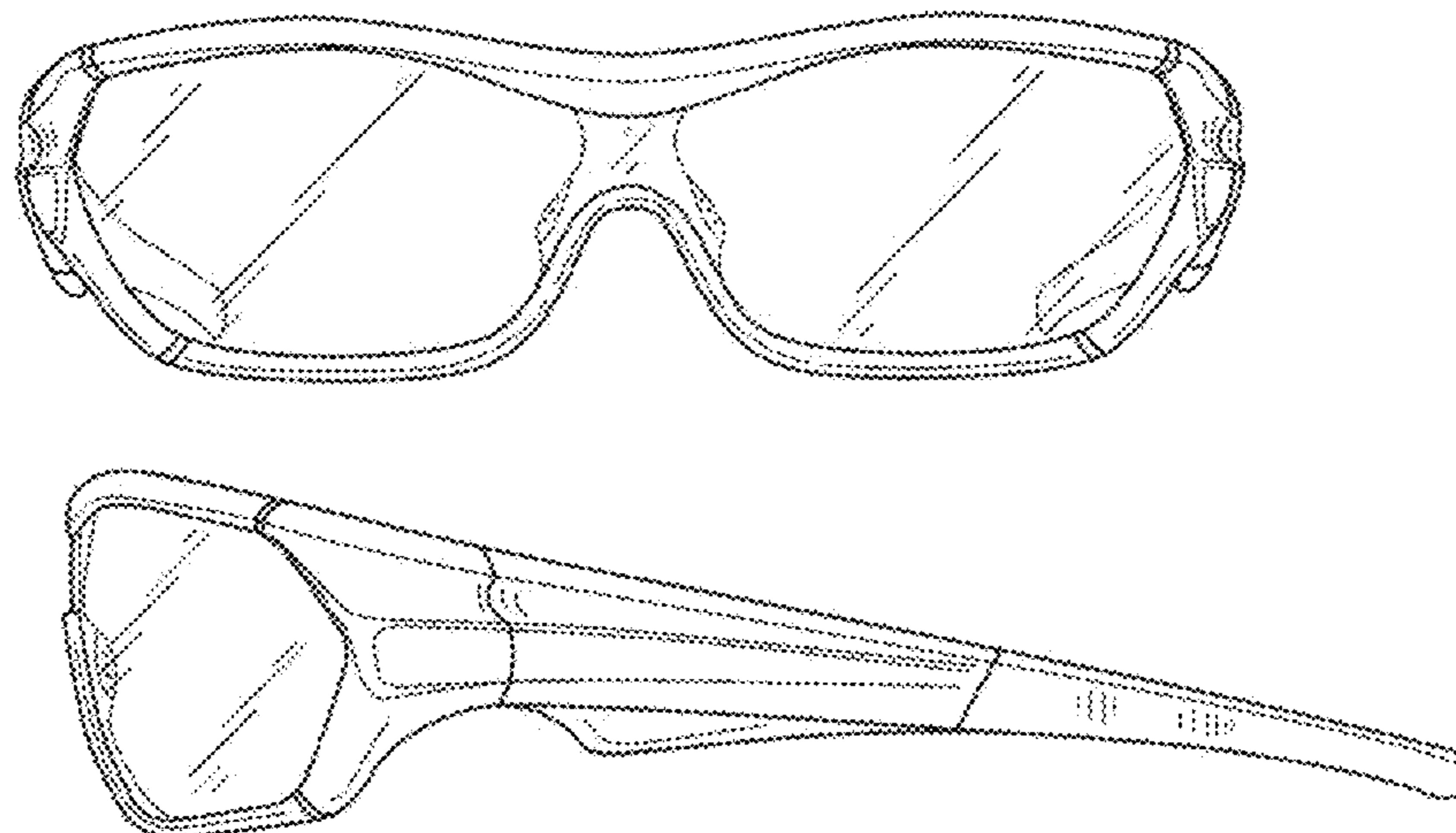
*Primary Examiner* — Raphael Barkai  
(74) *Attorney, Agent, or Firm* — Perkins Coie LLP

(57) **CLAIM**  
The ornamental design for eyewear, as shown and described.

**DESCRIPTION**

FIG. 1 is a front perspective view of the eyewear of the present application;  
FIG. 2 is a front elevation view thereof;  
FIG. 3 is a rear elevation view thereof;  
FIG. 4 is a right elevation view thereof;  
FIG. 5 is a left elevation view thereof;  
FIG. 6 is a top elevation view thereof; and,  
FIG. 7 is a bottom elevation view thereof.  
Phantom lining, where used, is for illustrative purposes only and is not intended to limit the claimed design to the features shown in phantom.

**1 Claim, 5 Drawing Sheets**



(56)

**References Cited**

U.S. PATENT DOCUMENTS

D513,275 S	12/2005	Yee	
D525,280 S	7/2006	Yee et al.	
D537,861 S *	3/2007	Teng .....	D16/313
D539,829 S	4/2007	Chuang	
D543,572 S	5/2007	Yee et al.	
D543,574 S	5/2007	Jannard et al.	
D544,020 S	6/2007	Thixton et al.	
D545,868 S	7/2007	Chuang	
D547,794 S	7/2007	Jannard et al.	
D548,269 S *	8/2007	Baden et al. ....	D16/326
D554,689 S	11/2007	Jannard et al.	
D555,705 S	11/2007	Chuang	
D558,816 S	1/2008	Yee	
D561,809 S	2/2008	Yee	
D561,813 S	2/2008	Baden et al.	
D564,568 S	3/2008	Moritz	
D564,571 S	3/2008	Jannard et al.	
D565,088 S	3/2008	Baden et al.	
D569,412 S	5/2008	Jannard et al.	
D581,443 S	11/2008	Jannard et al.	
D581,444 S	11/2008	Jannard et al.	
D581,449 S	11/2008	Yee	
D584,758 S *	1/2009	Mage .....	D16/313
D586,379 S	2/2009	Thixton et al.	
D590,432 S	4/2009	Yee	
D591,787 S	5/2009	Yee	
D601,613 S	10/2009	Yee	
D604,757 S	11/2009	Yee	
D614,226 S	4/2010	Fulton et al.	
D622,755 S	8/2010	Yee	
D640,725 S	6/2011	Moritz et al.	
D650,825 S *	12/2011	Yee et al. ....	D16/326
D659,179 S *	5/2012	Thixton .....	D16/313
D659,180 S	5/2012	Moritz	
D664,590 S	7/2012	Shin	
2007/0024806 A1	2/2007	Blanshay et al.	

\* cited by examiner

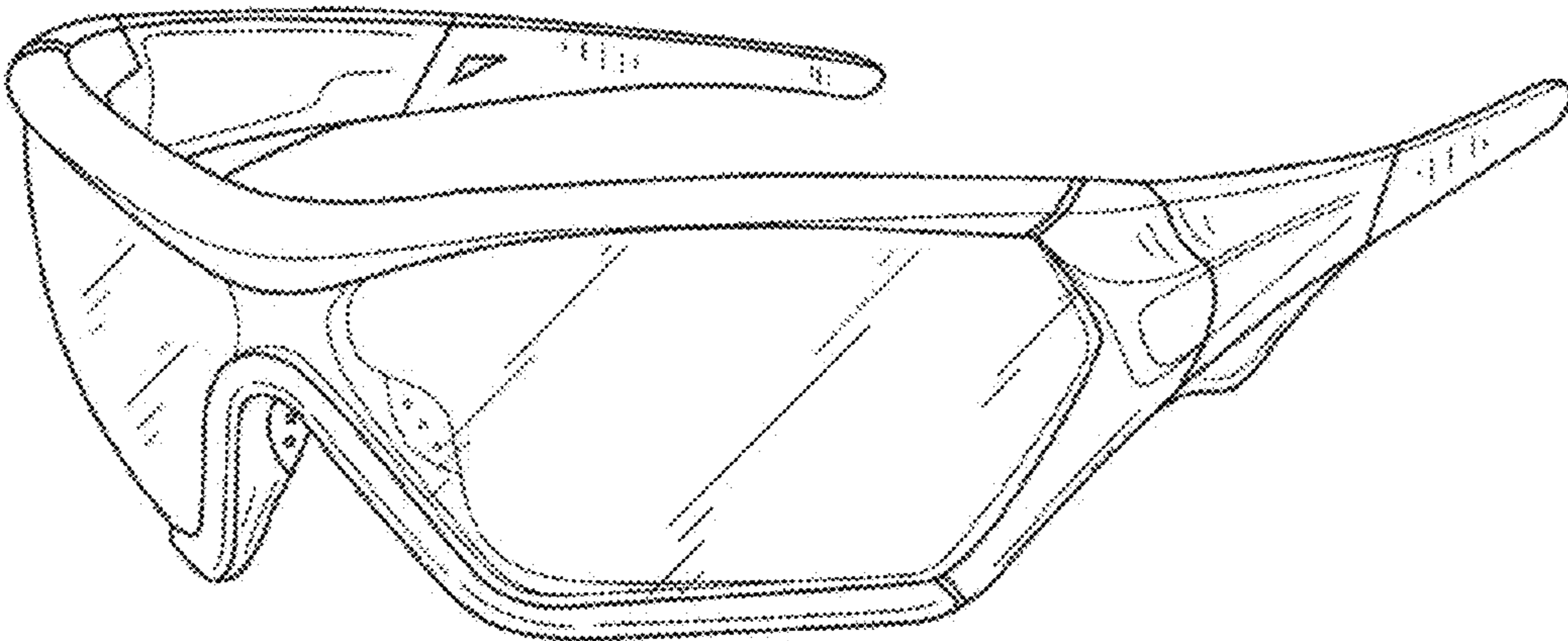


FIG.1

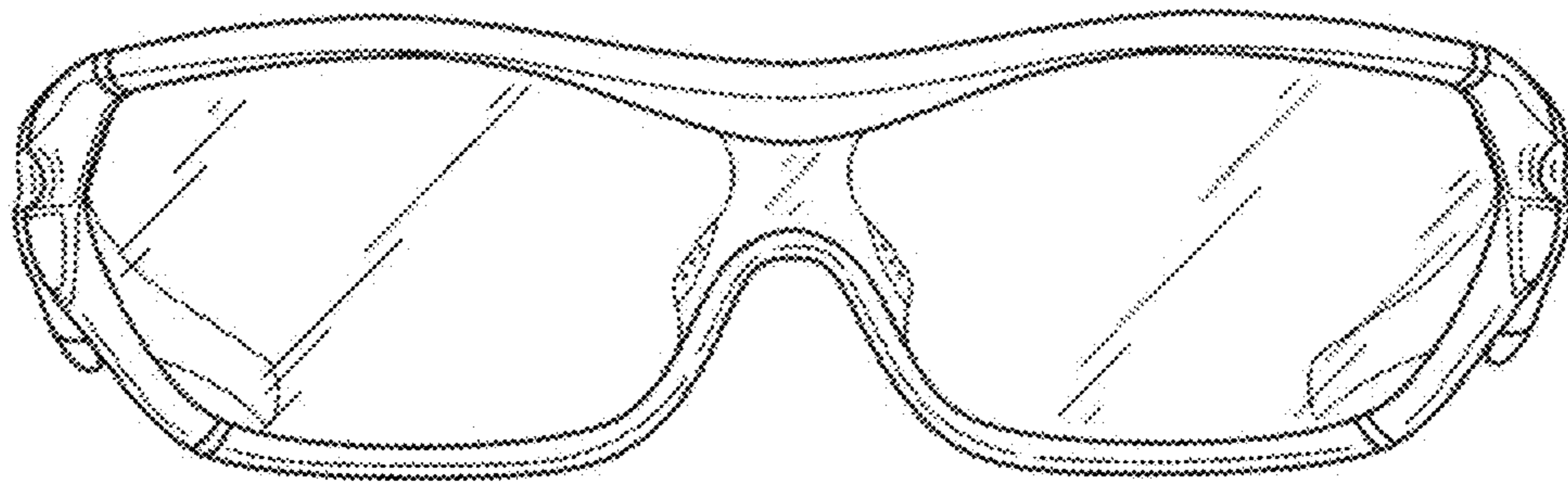


FIG. 2

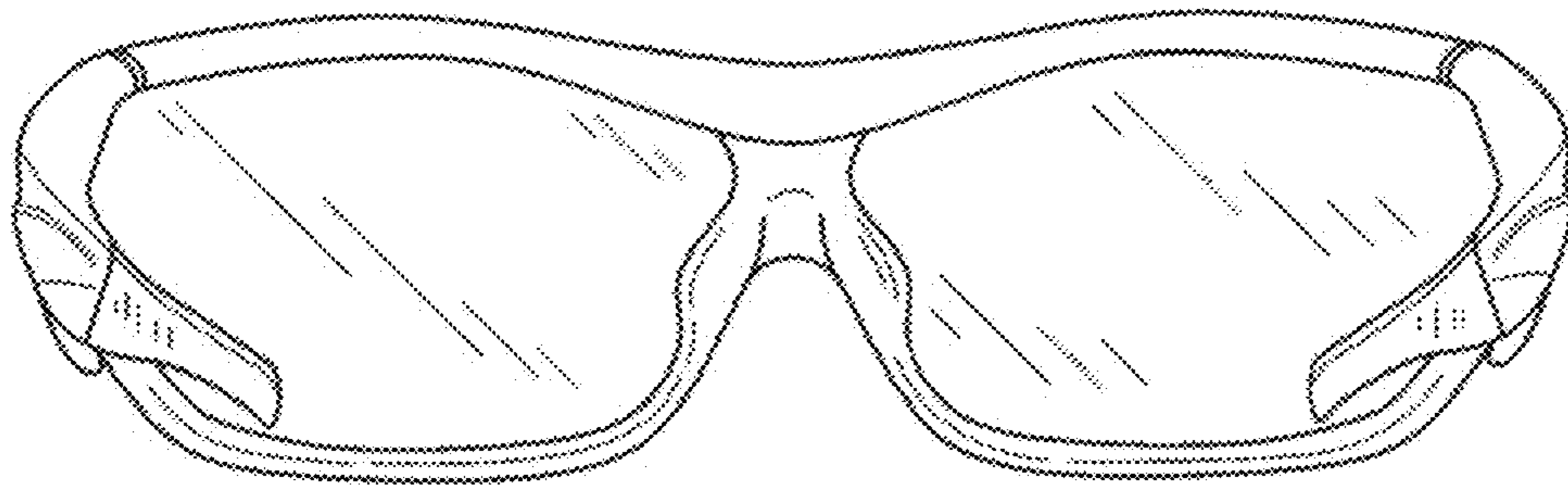


FIG. 3

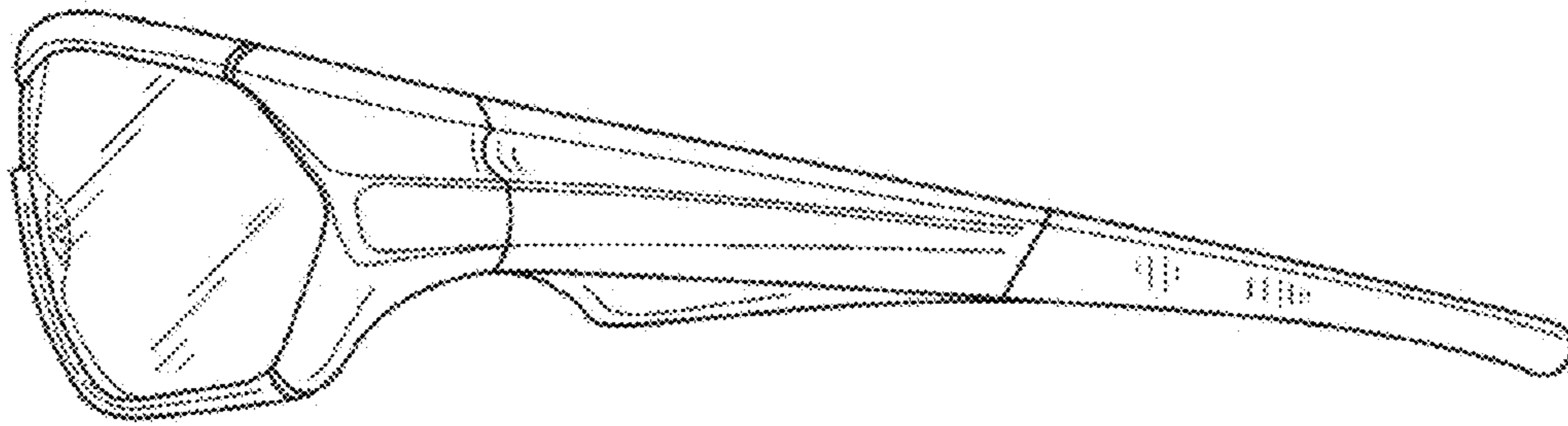


FIG.4

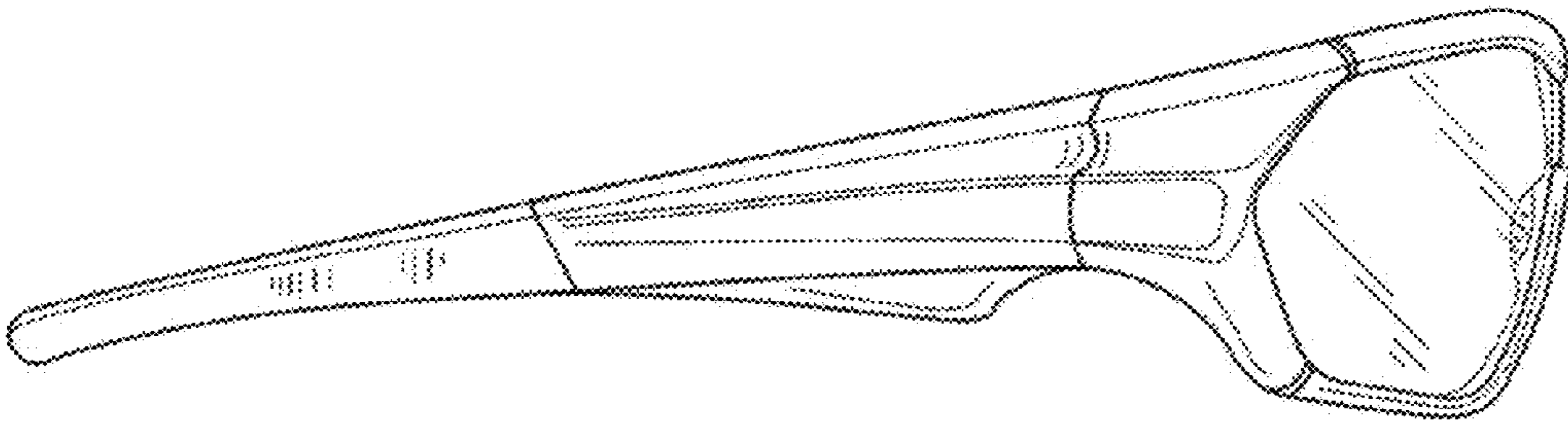


FIG.5

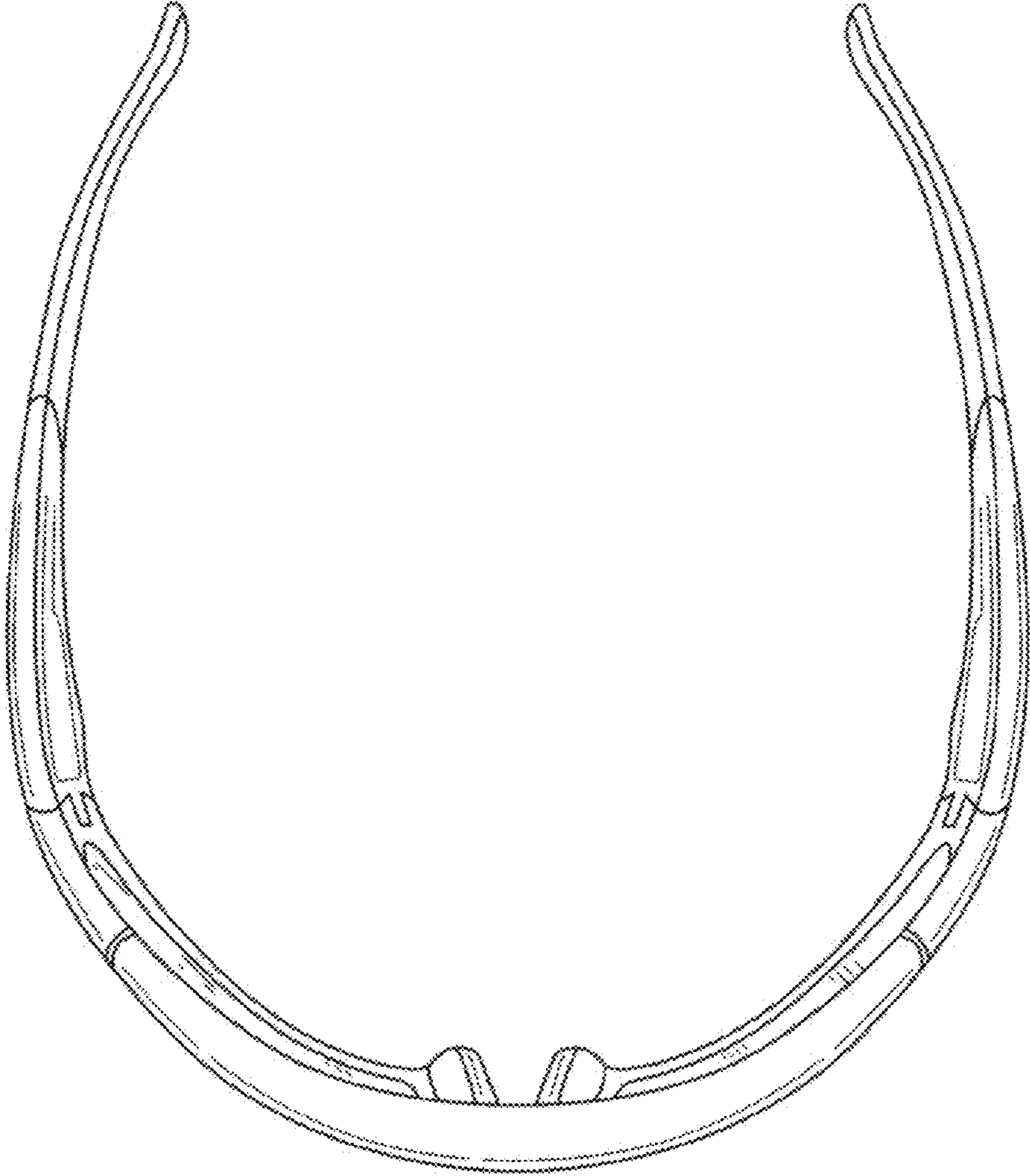


FIG.6

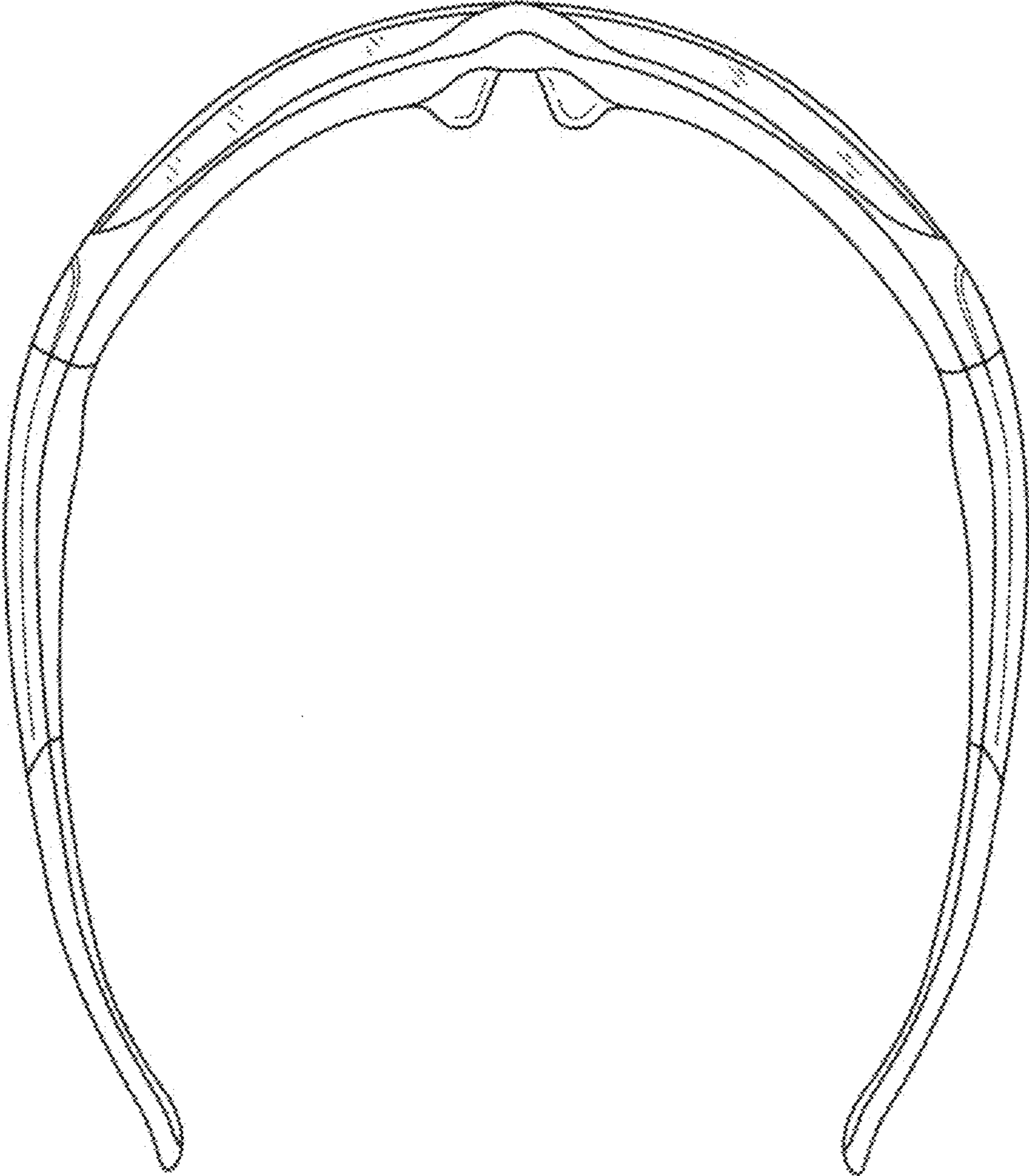


FIG.7