



US00D704248S

(12) **United States Design Patent**
DiChiara

(10) **Patent No.:** **US D704,248 S**

(45) **Date of Patent:** **** *May 6, 2014**

(54) **SUNGLASSES**

(71) Applicant: **Liberty Sport Inc.**, Fairfield, NJ (US)

(72) Inventor: **Carmine DiChiara**, Fairfield, NJ (US)

(73) Assignee: **Liberty Sport Inc**, Fairfield, NJ (US)

(*) Notice: This patent is subject to a terminal disclaimer.

(**) Term: **14 Years**

(21) Appl. No.: **29/458,218**

(22) Filed: **Jun. 17, 2013**

(51) **LOC (10) Cl.** **16-06**

(52) **U.S. Cl.**

USPC **D16/309**; D16/326; D16/337

(58) **Field of Classification Search**

USPC D16/101, 300-342, 900; D29/109-110;
351/41, 44, 51-52, 62, 158, 92,
351/103-123, 140-153, 45-46; 2/426-432,
2/447-449, 441, 434-437, 13, 15;
D21/483, 659-661; D14/372

See application file for complete search history.

(56) **References Cited**

U.S. PATENT DOCUMENTS

D534,571 S *	1/2007	Chen	D16/326
D535,319 S *	1/2007	Chuang	D16/326
D535,681 S *	1/2007	Yang	D16/311
D537,860 S *	3/2007	Freeman	D16/309
D575,813 S *	8/2008	Li	D16/326
D617,366 S *	6/2010	Fulton	D16/326
D619,160 S *	7/2010	Sheldon	D16/326
D638,049 S *	5/2011	Sheldon	D16/326

D641,391 S *	7/2011	Sheldon	D16/321
D651,640 S *	1/2012	Sheldon	D16/326
D677,711 S *	3/2013	Mage	D16/326

* cited by examiner

Primary Examiner — Raphael Barkai

(74) *Attorney, Agent, or Firm* — Superior IP, PLLC; Dustin L. Call

(57) **CLAIM**

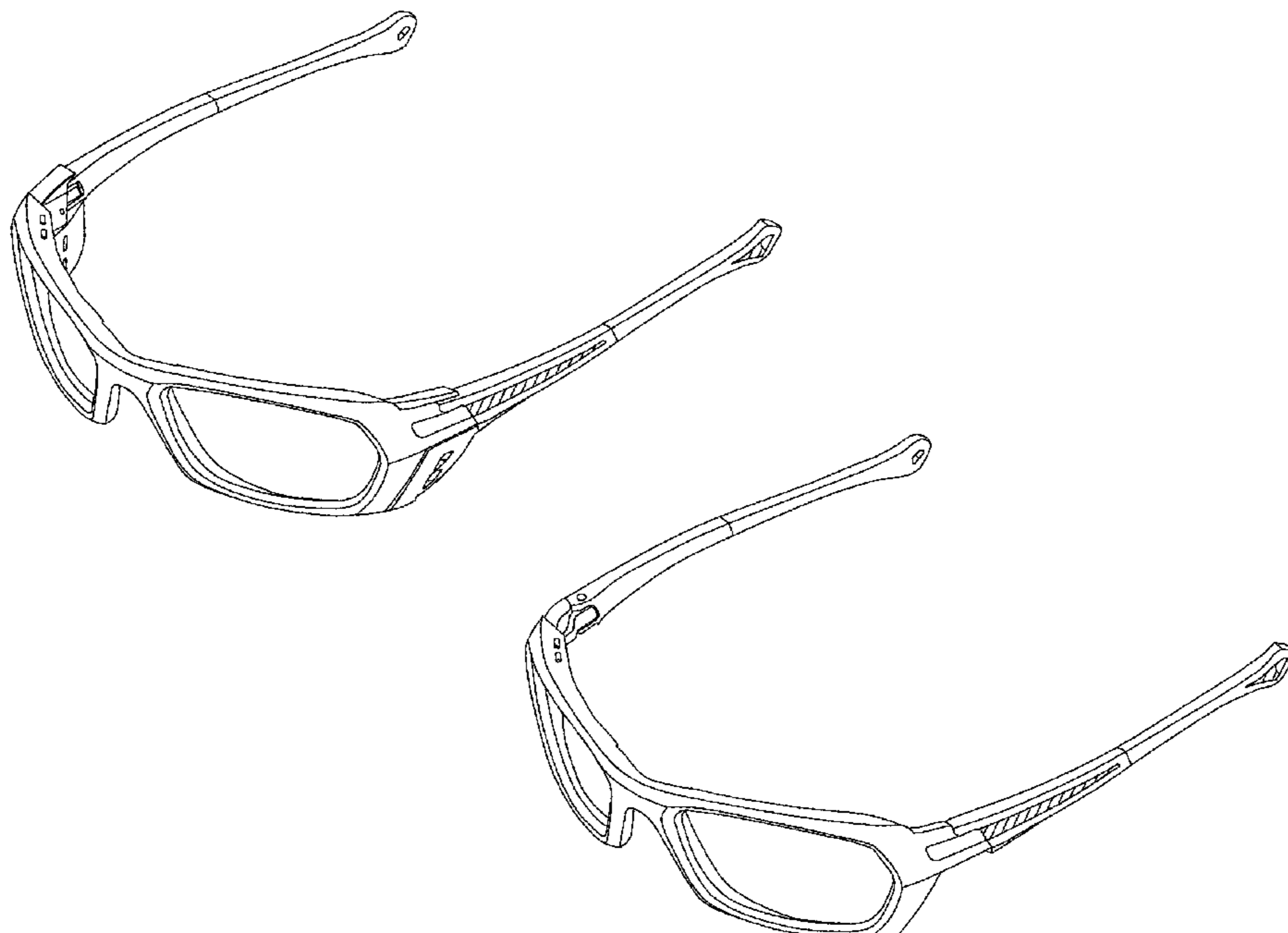
The ornamental design for sunglasses, as shown and described.

DESCRIPTION

FIG. 1 is a front view of the sunglasses;
FIG. 2 is a front view thereof with the side cups removed;
FIG. 3 is a front left perspective view thereof, the front right perspective view being a mirror image thereof;
FIG. 4 is a front left perspective view thereof with the side cups removed, the front right perspective view being a mirror image thereof;
FIG. 5 is a left side view thereof, the right side view being a mirror image thereof;
FIG. 6 is a left side view thereof with the side cups removed, the right side view being a mirror image thereof;
FIG. 7 is a top view thereof;
FIG. 8 is a top view thereof with the side cups removed;
FIG. 9 is a bottom view thereof;
FIG. 10 is a bottom view thereof with the side cups removed;
FIG. 11 is a bottom rear view thereof; and,
FIG. 12 is a bottom rear view thereof with the side cups removed.

The hatch lines showing environment in the drawings are included for illustrative purposes only and form no part of the claimed design.

1 Claim, 6 Drawing Sheets



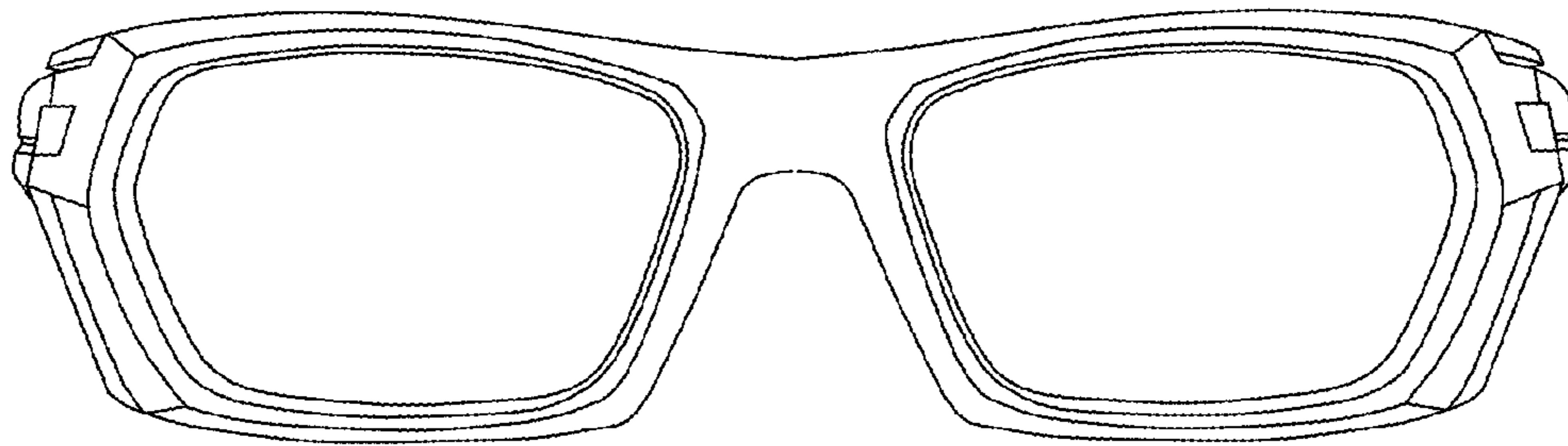


FIG. 1

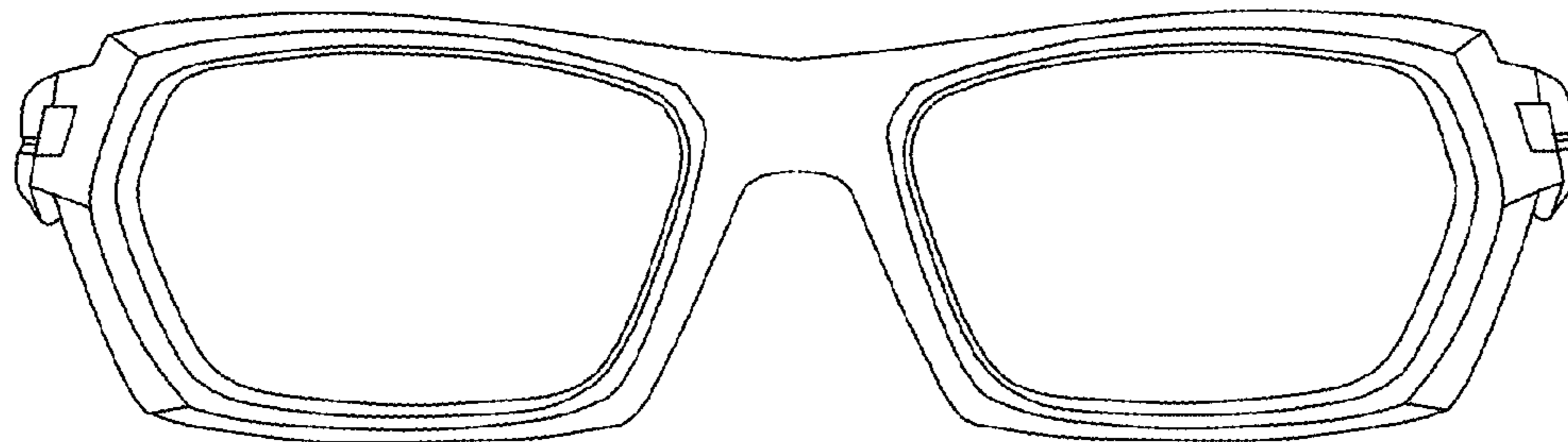


FIG. 2

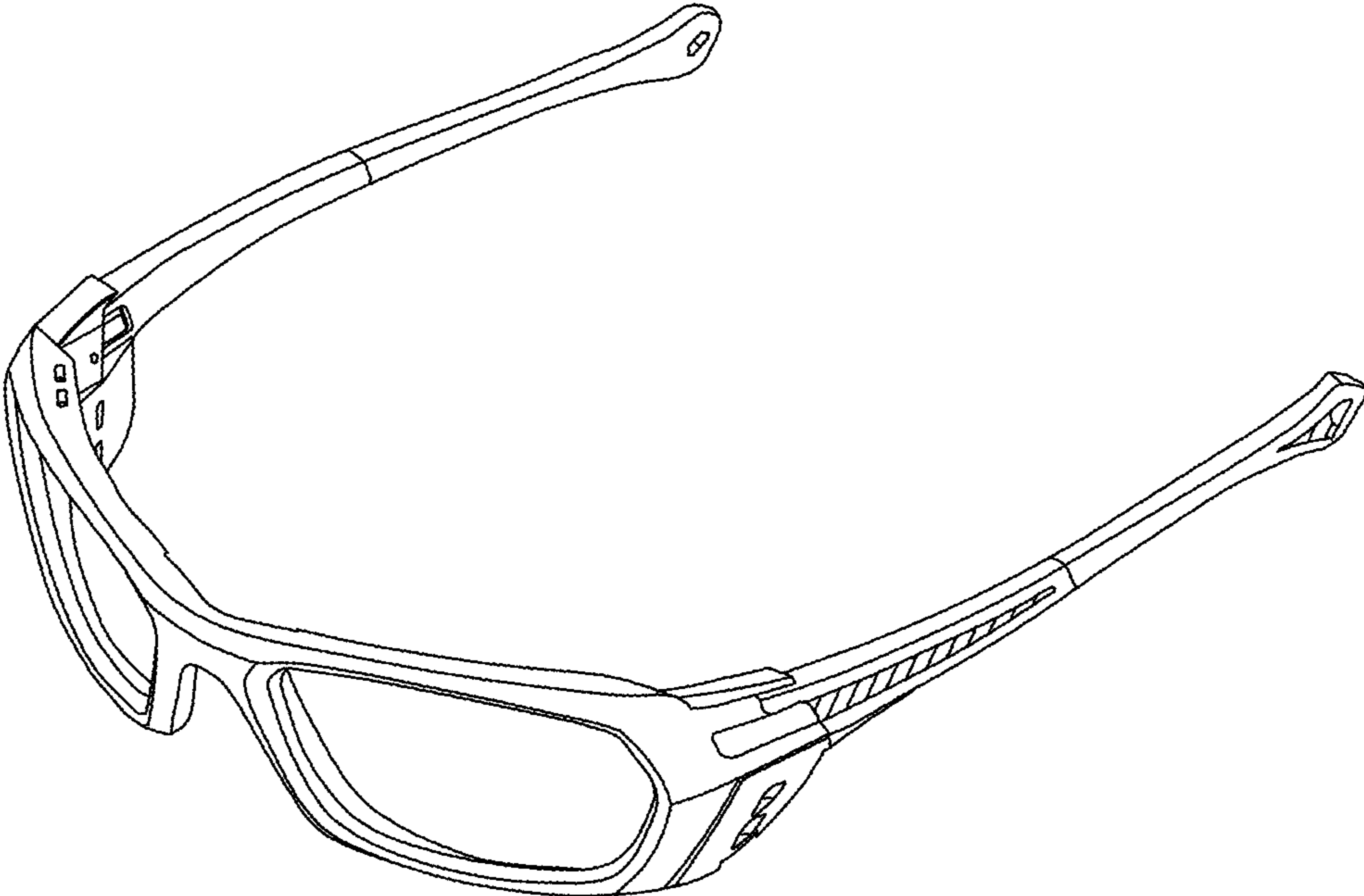


FIG. 3

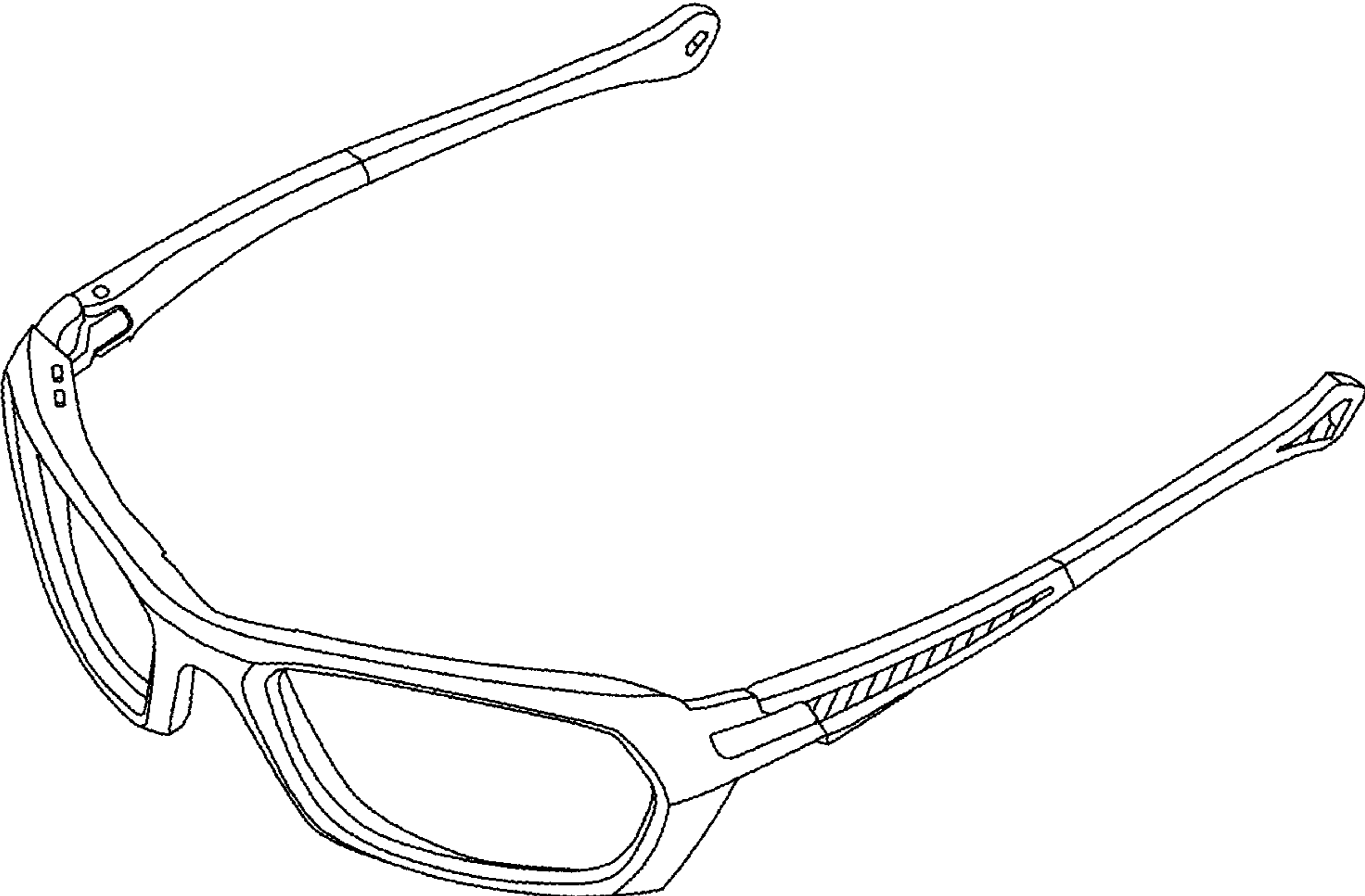


FIG. 4

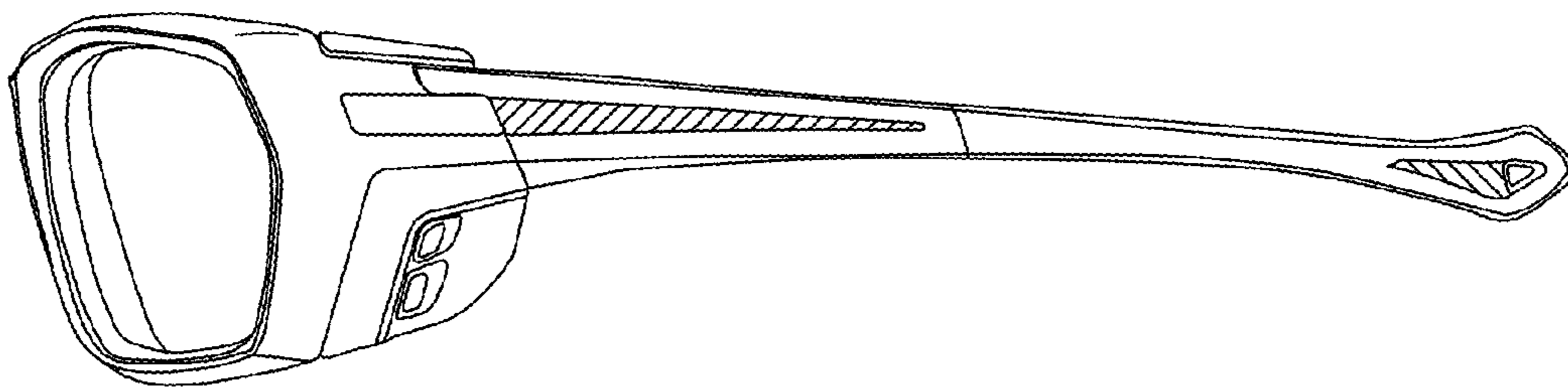


FIG. 5

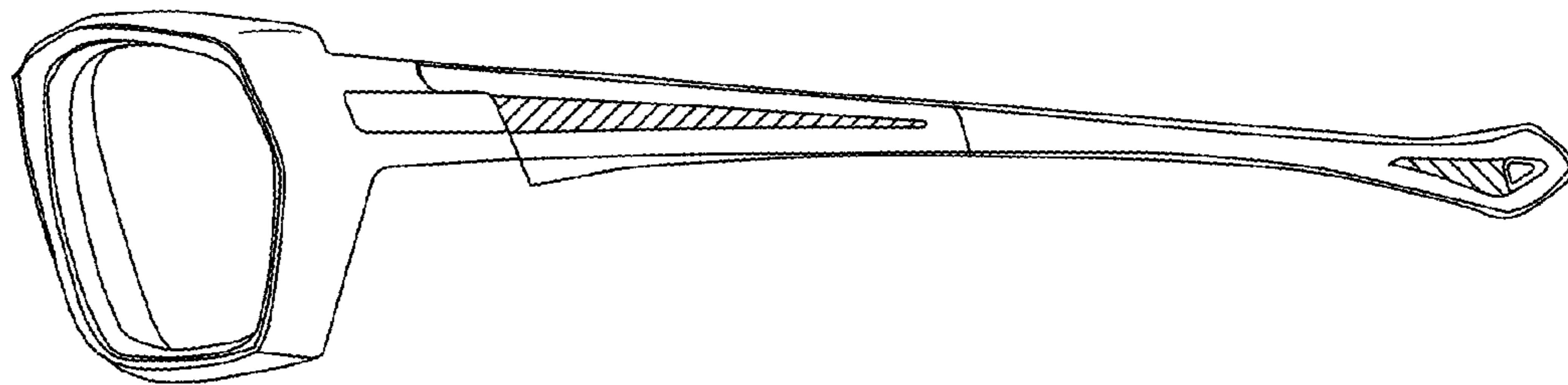


FIG. 6

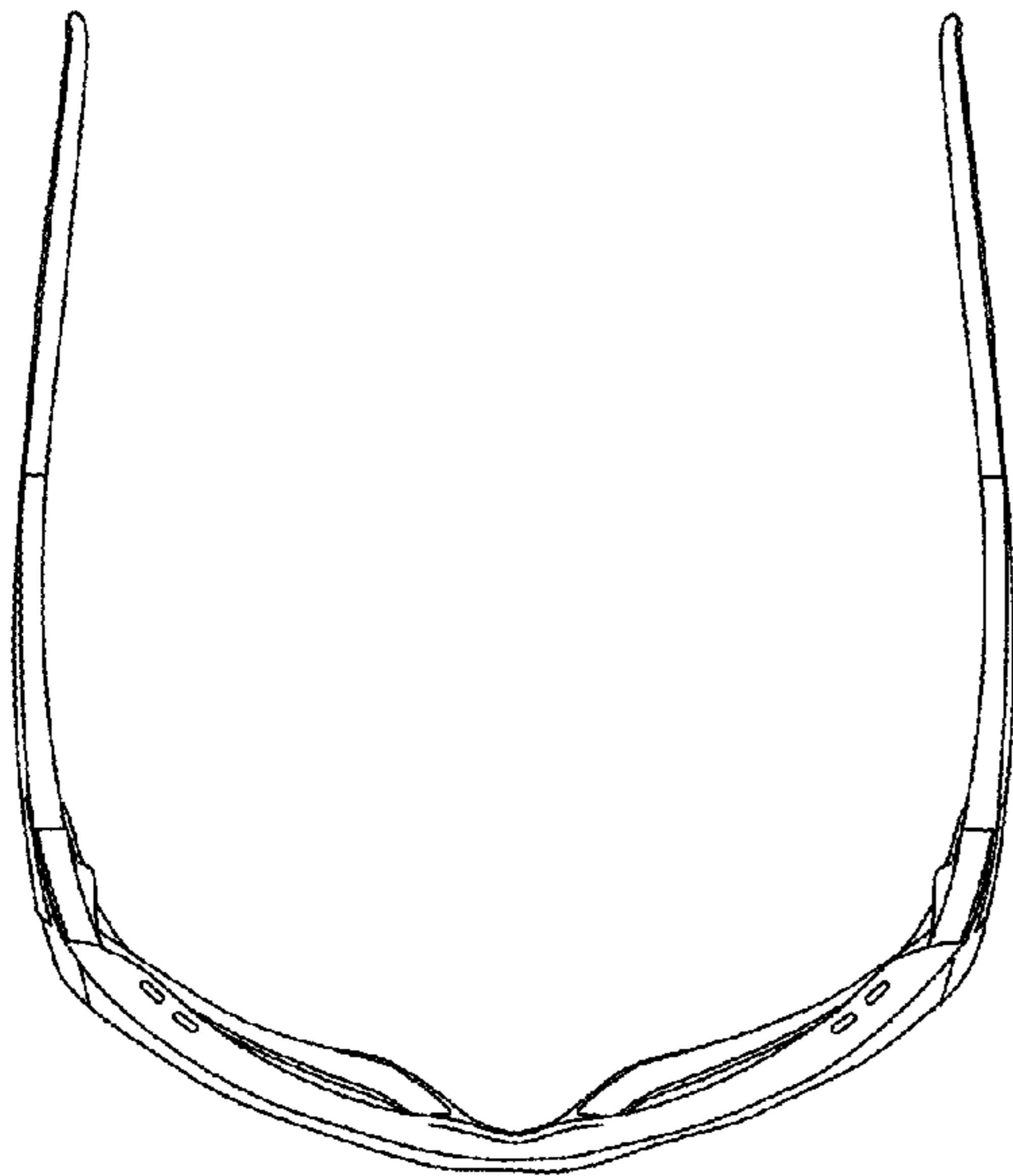


FIG. 7

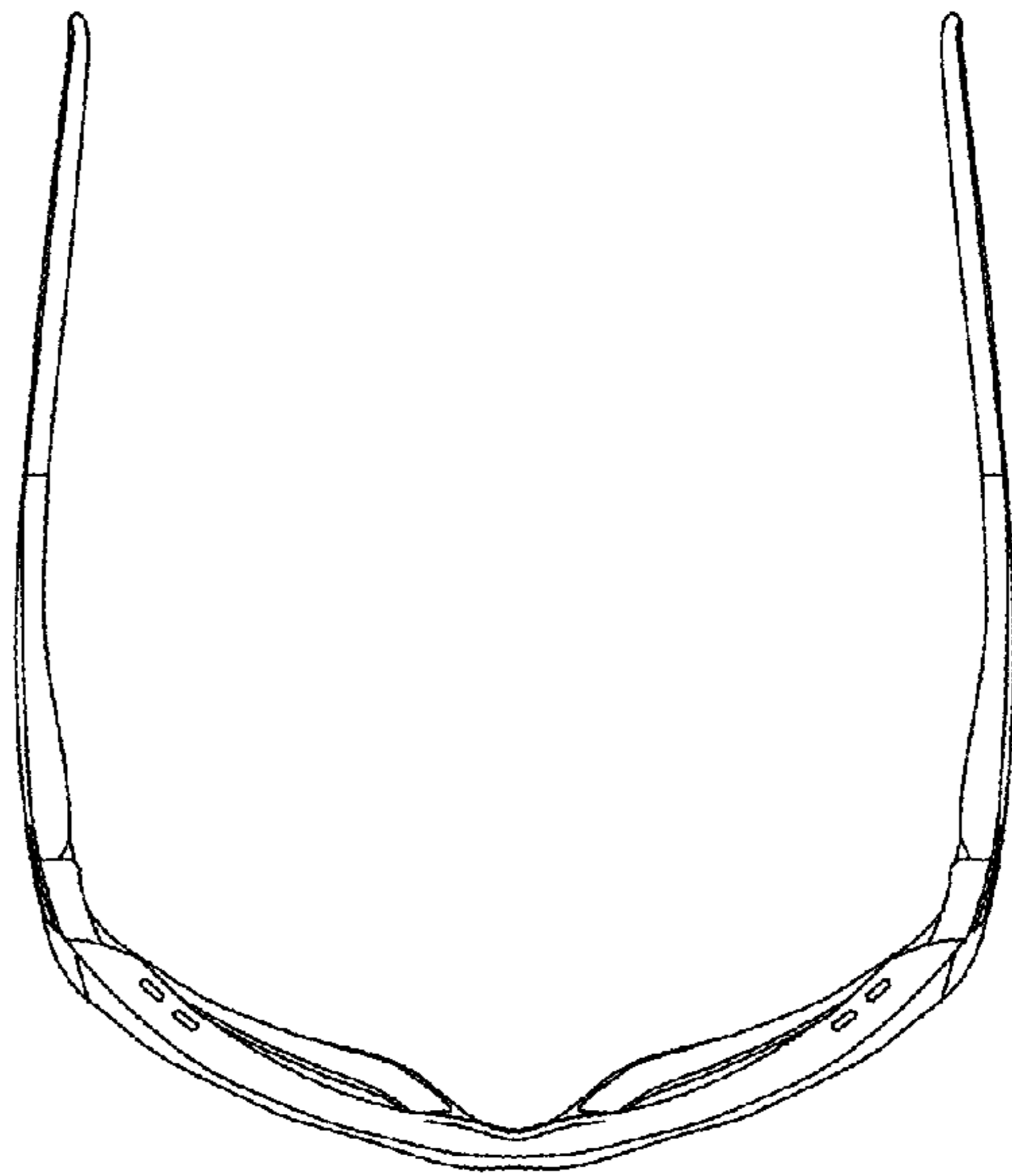


FIG. 8

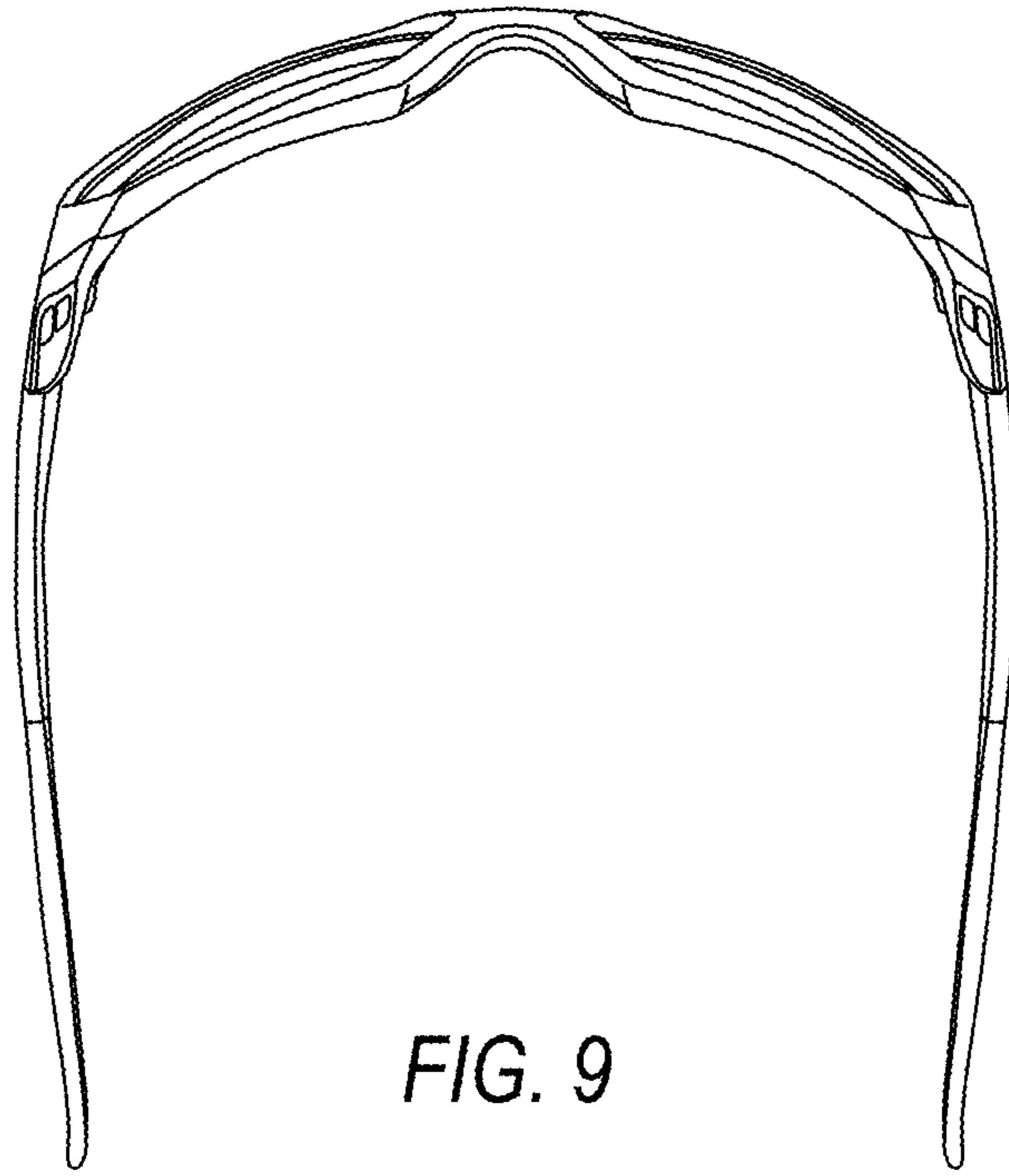


FIG. 9

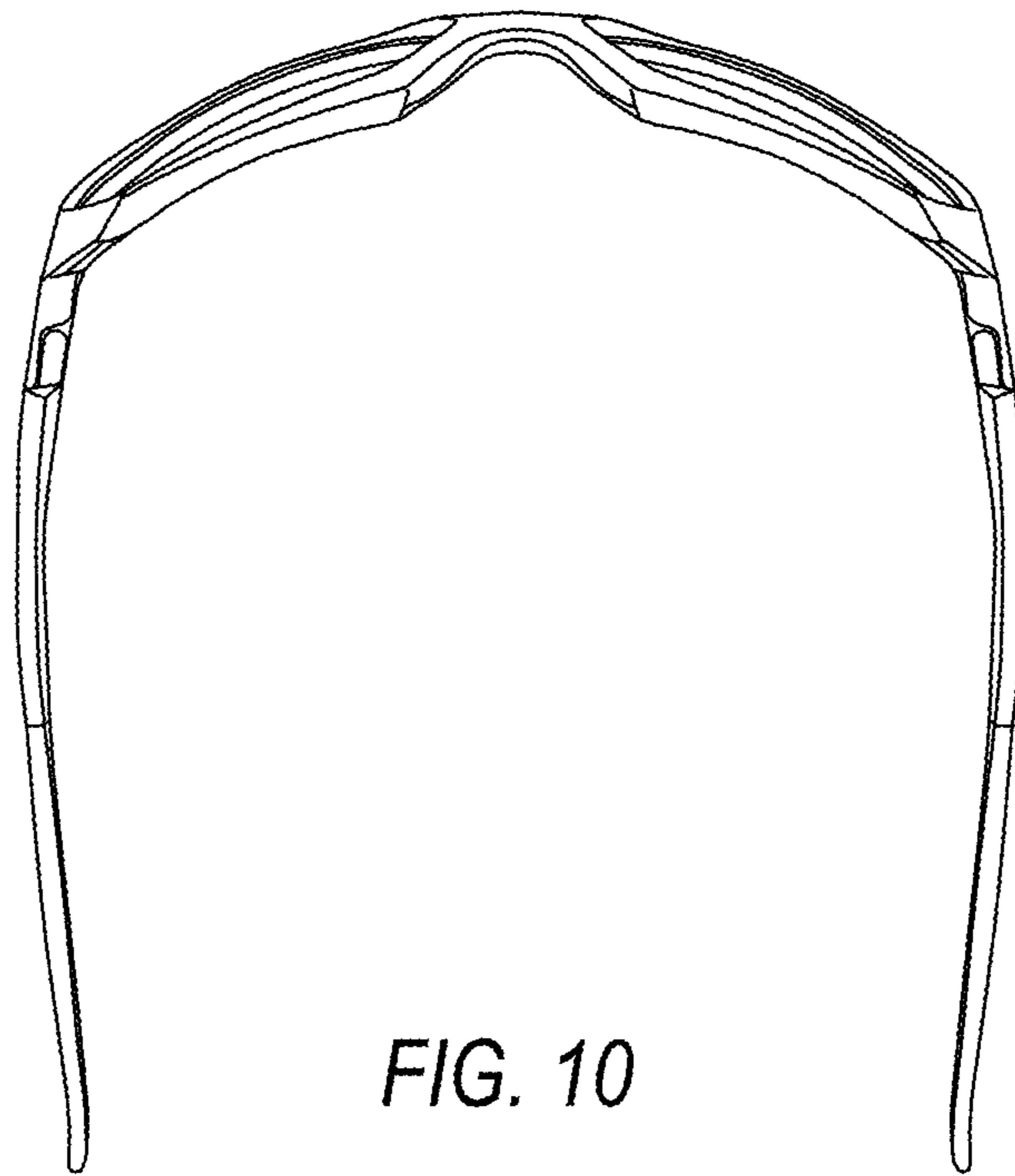


FIG. 10

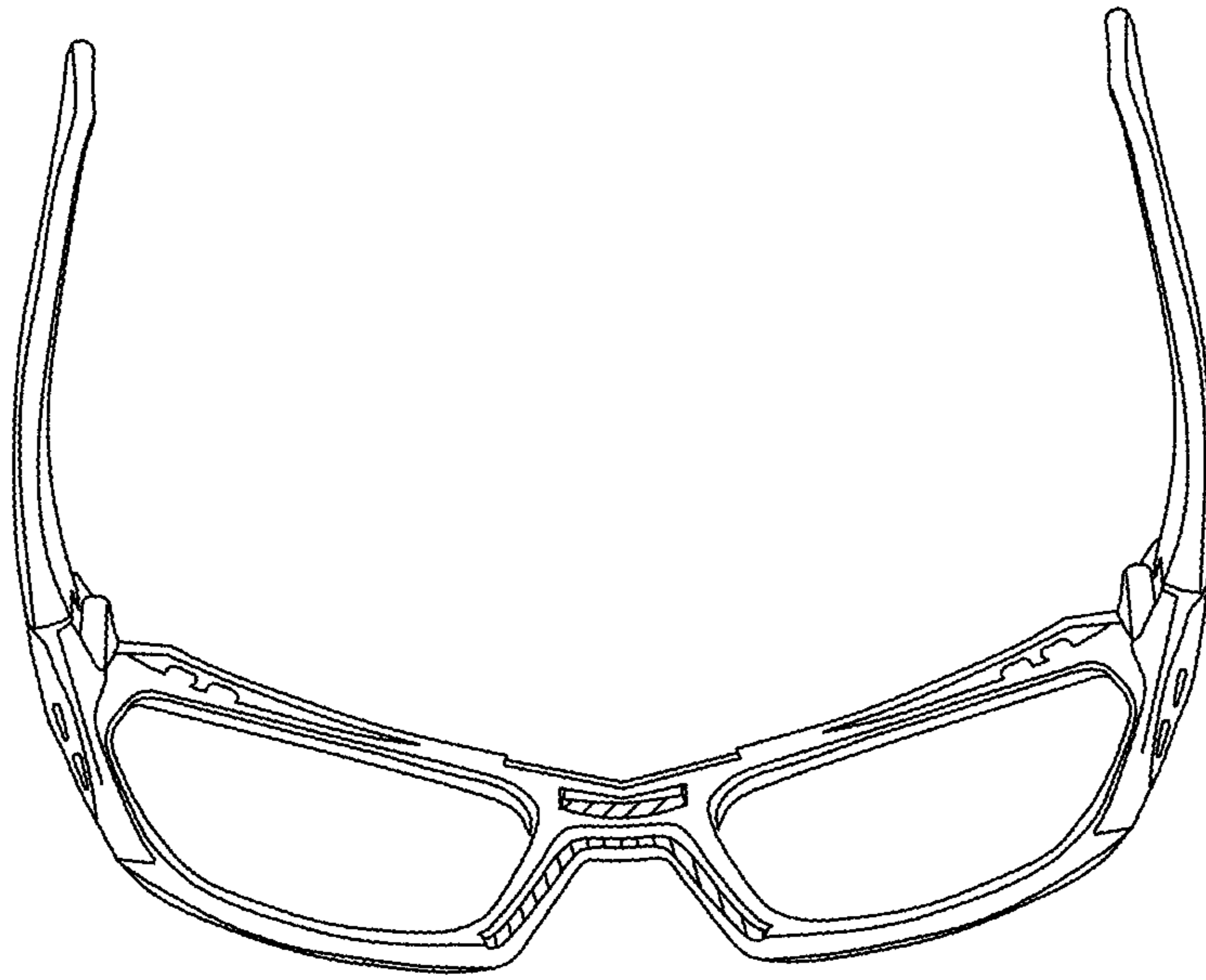


FIG. 11

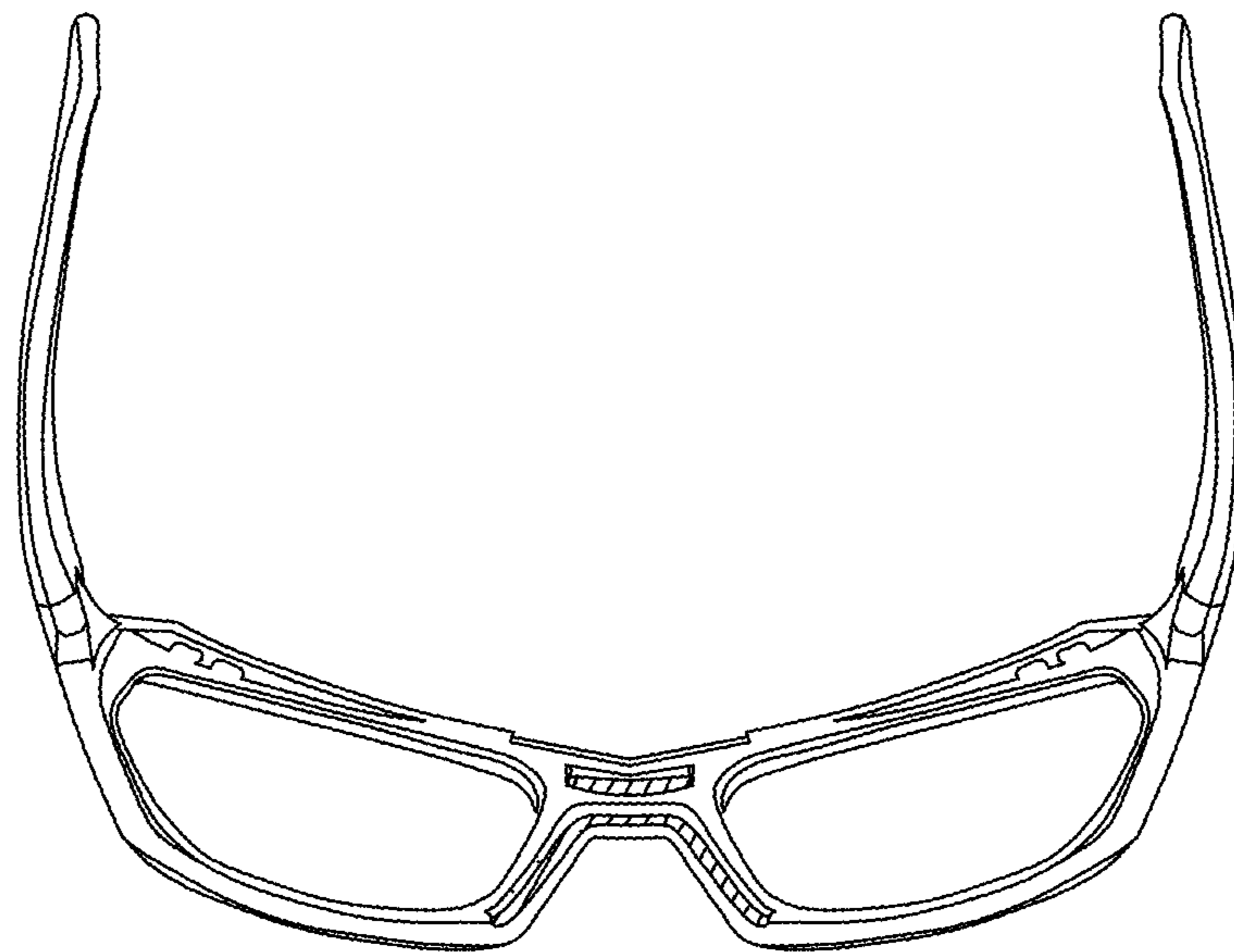


FIG. 12