



US00D704247S

(12) **United States Design Patent**
Olsson et al.

(10) **Patent No.:** **US D704,247 S**

(45) **Date of Patent:** **** May 6, 2014**

(54) **DISPLAY DEVICE COMPONENT**

(75) Inventors: **Maj Isabelle Olsson**, San Francisco, CA (US); **Mitchell Joseph Heinrich**, San Francisco, CA (US)

(73) Assignee: **Google Inc.**, Mountain View, CA (US)

(**) Term: **14 Years**

(21) Appl. No.: **29/404,643**

(22) Filed: **Oct. 24, 2011**

(51) **LOC (10) Cl.** **16-06**

(52) **U.S. Cl.**
USPC **D16/300; D16/330**

(58) **Field of Classification Search**
USPC D16/101, 300–342, 900; D29/109–110;
351/41, 44, 51–52, 62, 158, 92,
351/103–123, 140–153, 45–46; 2/426–432,
2/447–449, 441, 434–437, 13, 15;
D21/483, 659–661; D14/372
See application file for complete search history.

(56) **References Cited**

U.S. PATENT DOCUMENTS

3,944,344	A	3/1976	Wichers
D327,079	S	6/1992	Allen
D334,557	S	4/1993	Hunter et al.
D337,320	S	7/1993	Hunter et al.
D354,974	S	1/1995	Wielhouwer
D402,651	S	12/1998	Depay et al.
D428,620	S	7/2000	Maturaporn
D436,960	S	1/2001	Budd et al.
D512,985	S	12/2005	Travers et al.
D533,893	S	12/2006	Canavan et al.
D559,250	S	1/2008	Pombo
D565,082	S	3/2008	McClure et al.
D578,120	S	10/2008	Lowe et al.

D602,064	S	10/2009	Mitsui et al.
7,631,968	B1	12/2009	Dobson et al.
D647,123	S	10/2011	Cho
8,029,132	B1	10/2011	Park
D649,177	S	11/2011	Cho et al.
D662,964	S *	7/2012	Olsson et al. D16/300
D664,586	S *	7/2012	Olsson D16/300
D666,237	S *	8/2012	Olsson et al. D16/309

* cited by examiner

Primary Examiner — Raphael Barkai

(74) *Attorney, Agent, or Firm* — Lerner, David, Littenberg, Krumholz & Mentlik, LLP

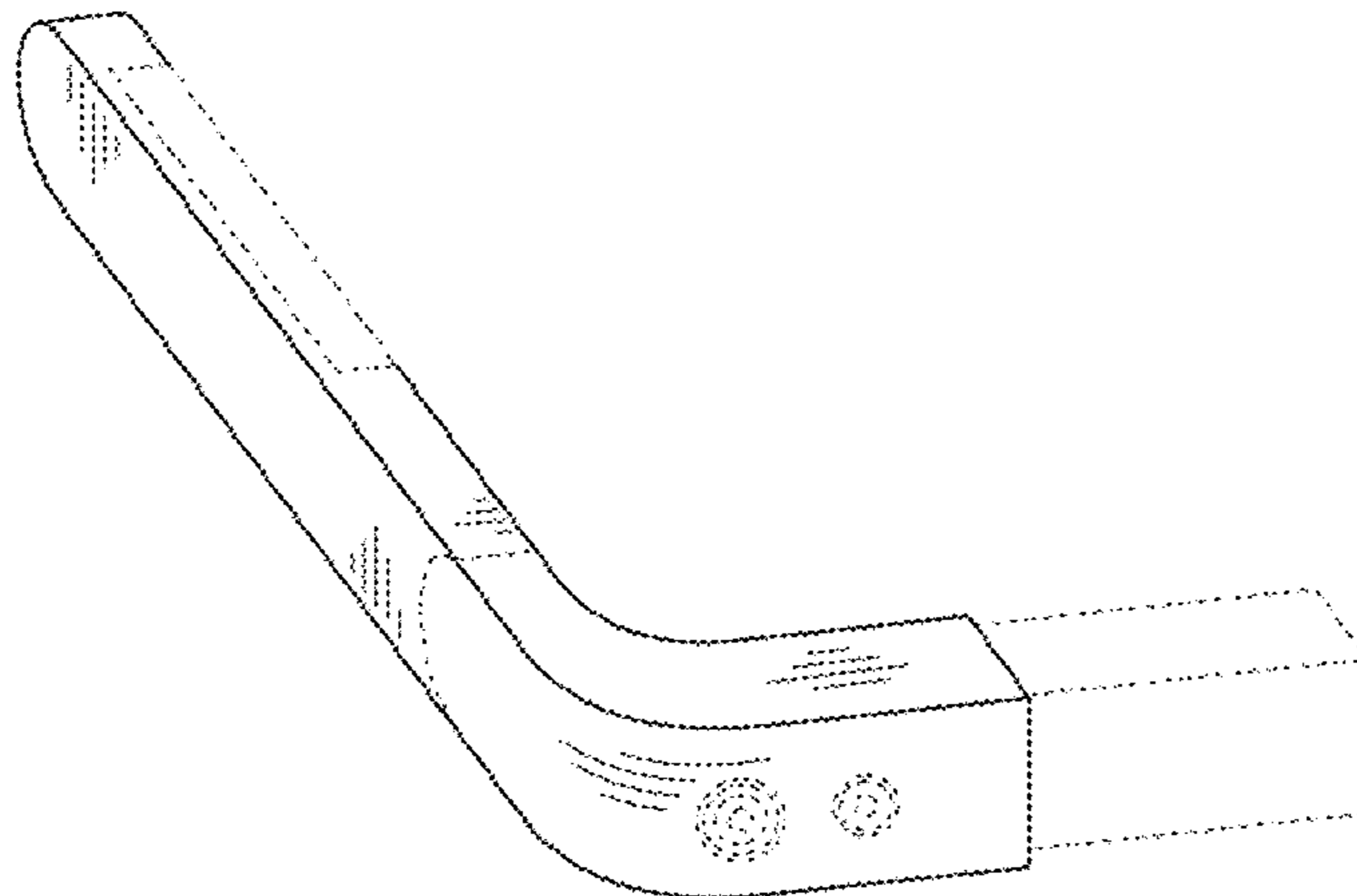
(57) **CLAIM**

The ornamental design for a display device component, as shown and described.

DESCRIPTION

FIG. 1 is a front perspective view of a display device component showing our new design;
FIG. 2 is a front elevation view of the display device component of FIG. 1;
FIG. 3 is a back elevation view of the display device component of FIG. 1;
FIG. 4 is a right elevation view of the display device component of FIG. 1;
FIG. 5 is a left elevation view of the display device component of FIG. 1;
FIG. 6 is a top elevation view of the display device component of FIG. 1;
FIG. 7 is a bottom elevation view of the display device component of FIG. 1; and,
FIG. 8 is a rear perspective view of the display device component of FIG. 1.
Broken lines are environmental only and form no part of the claimed design.

1 Claim, 5 Drawing Sheets



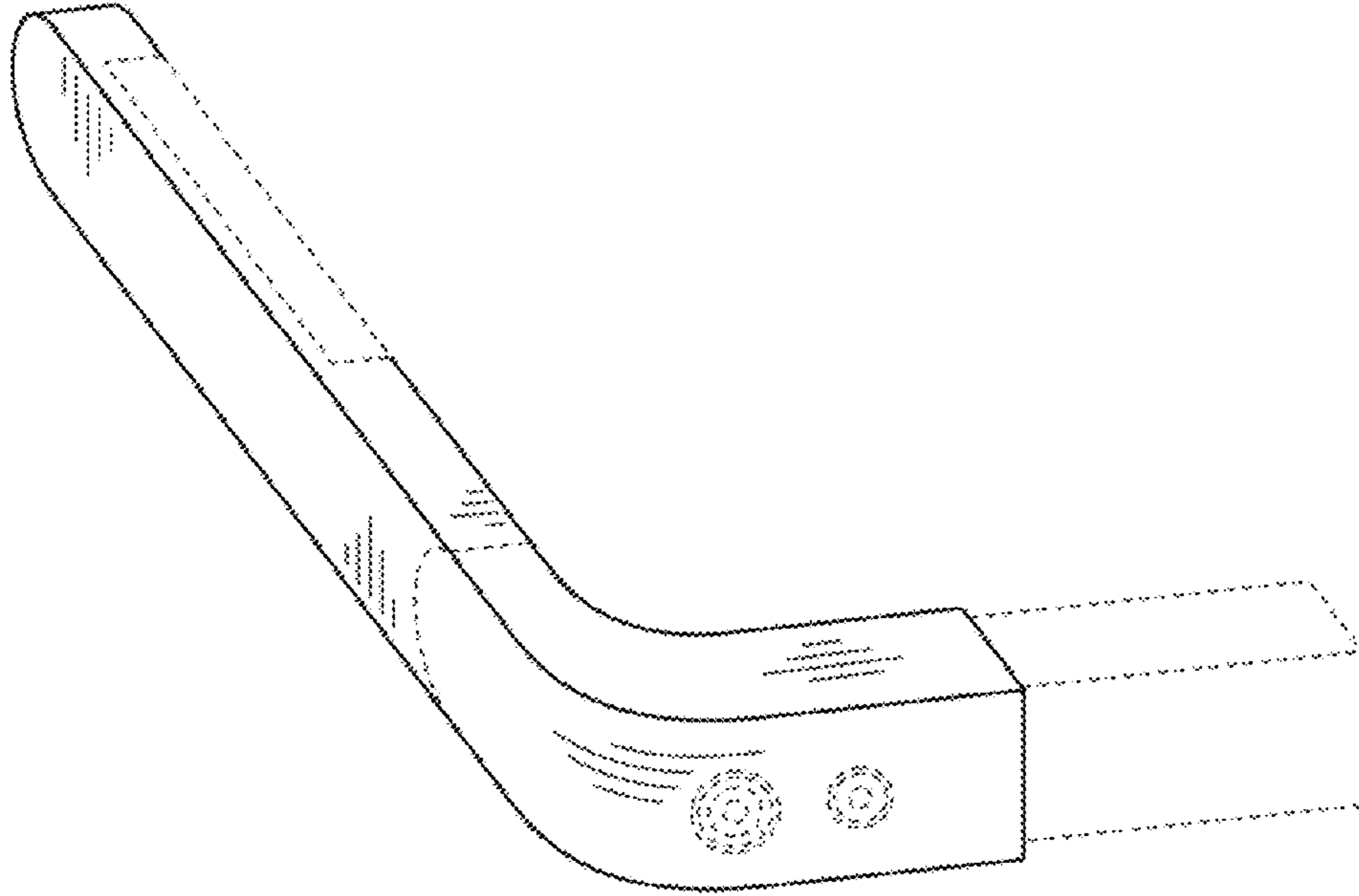


FIG. 1

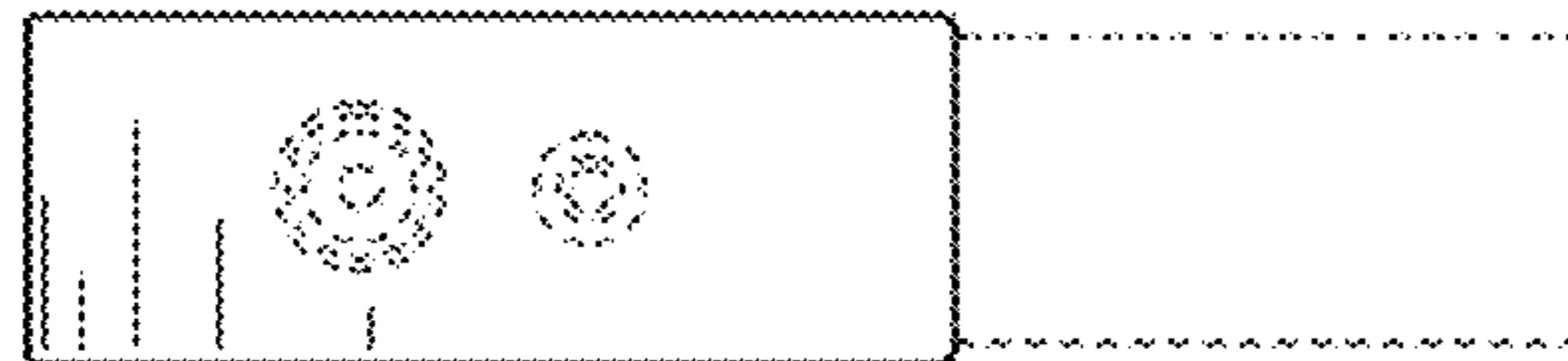


FIG. 2

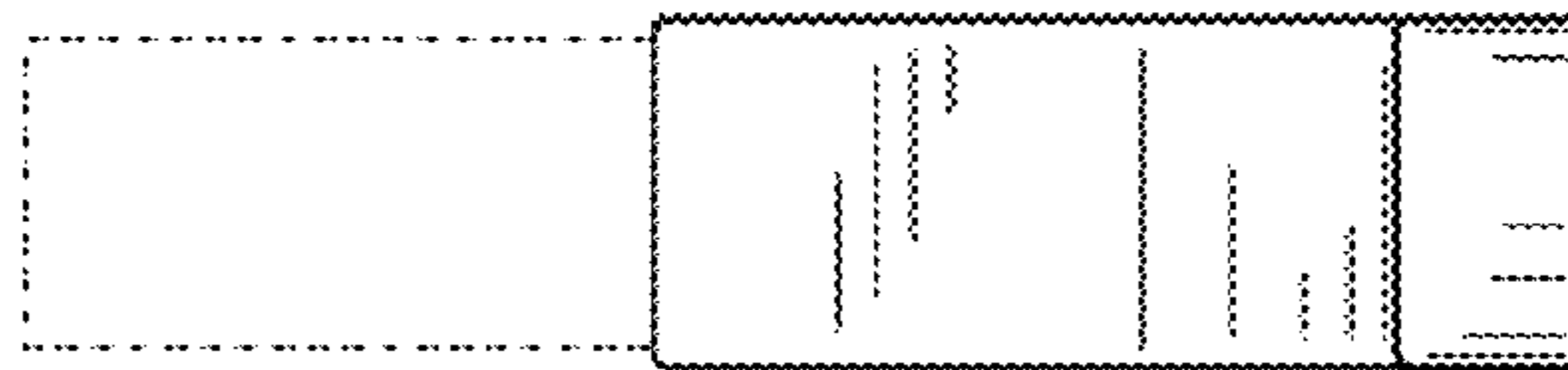


FIG. 3

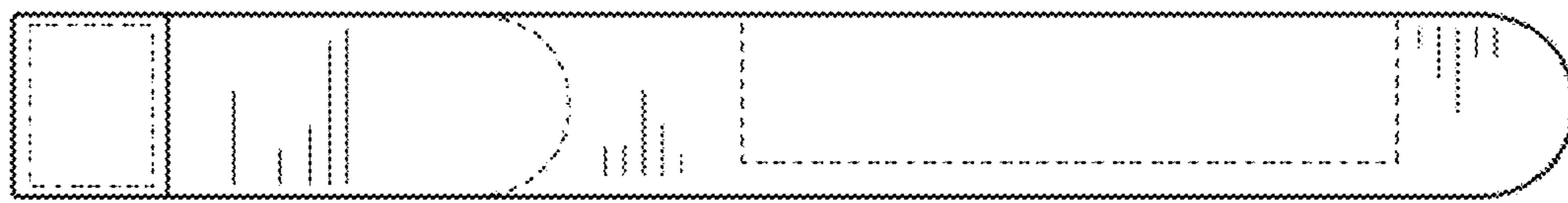


FIG. 4

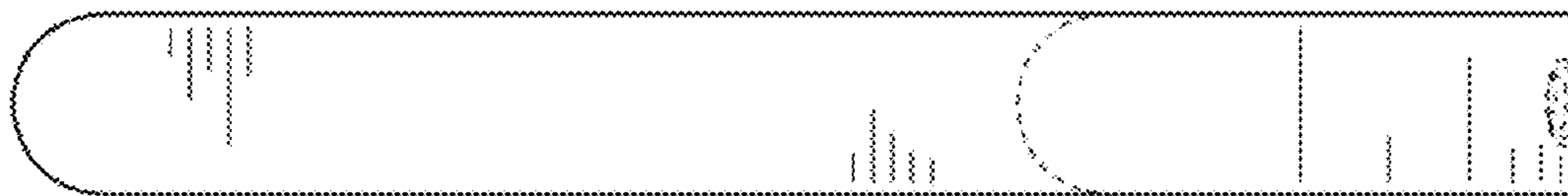


FIG. 5

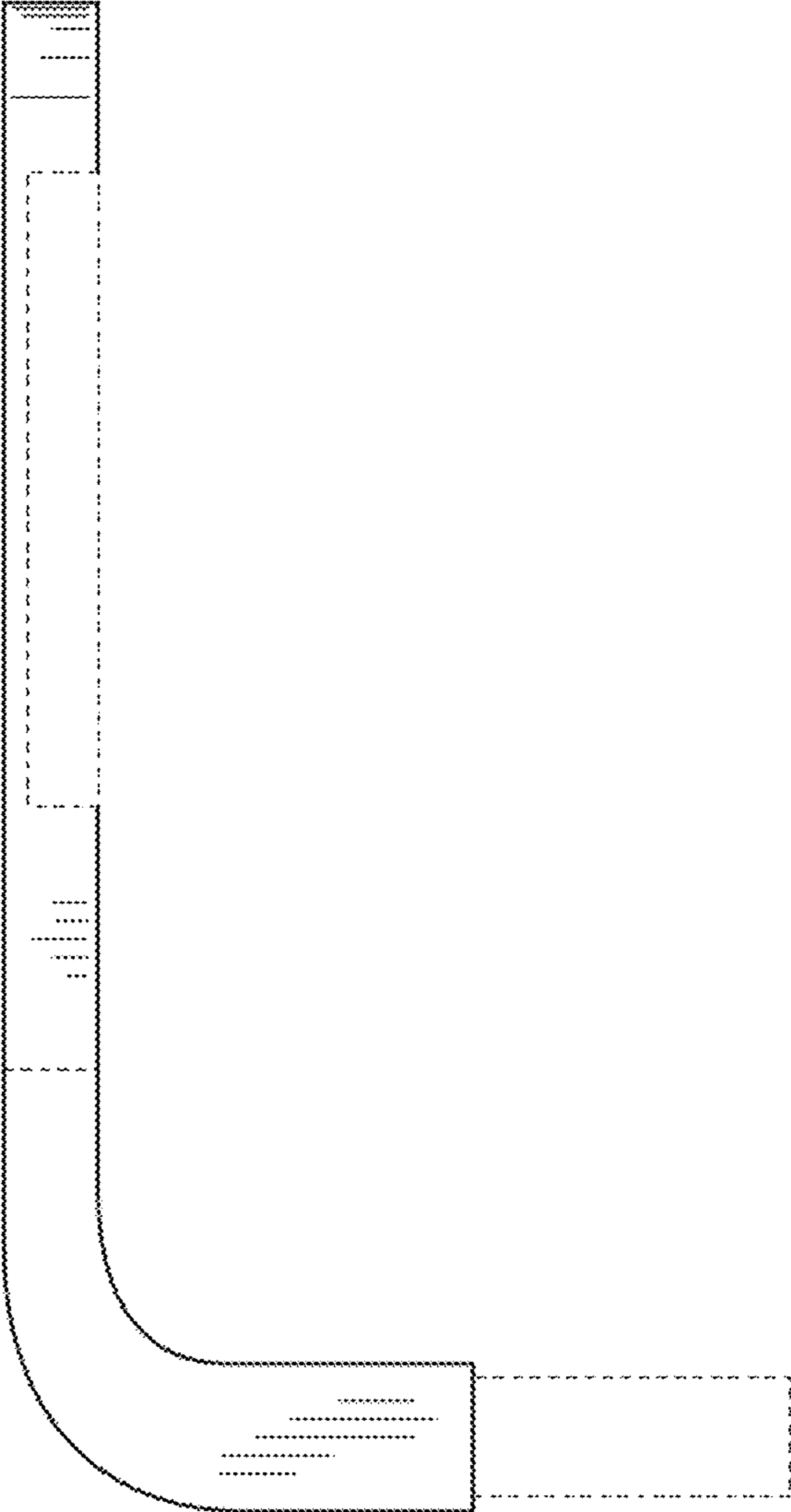


FIG. 6

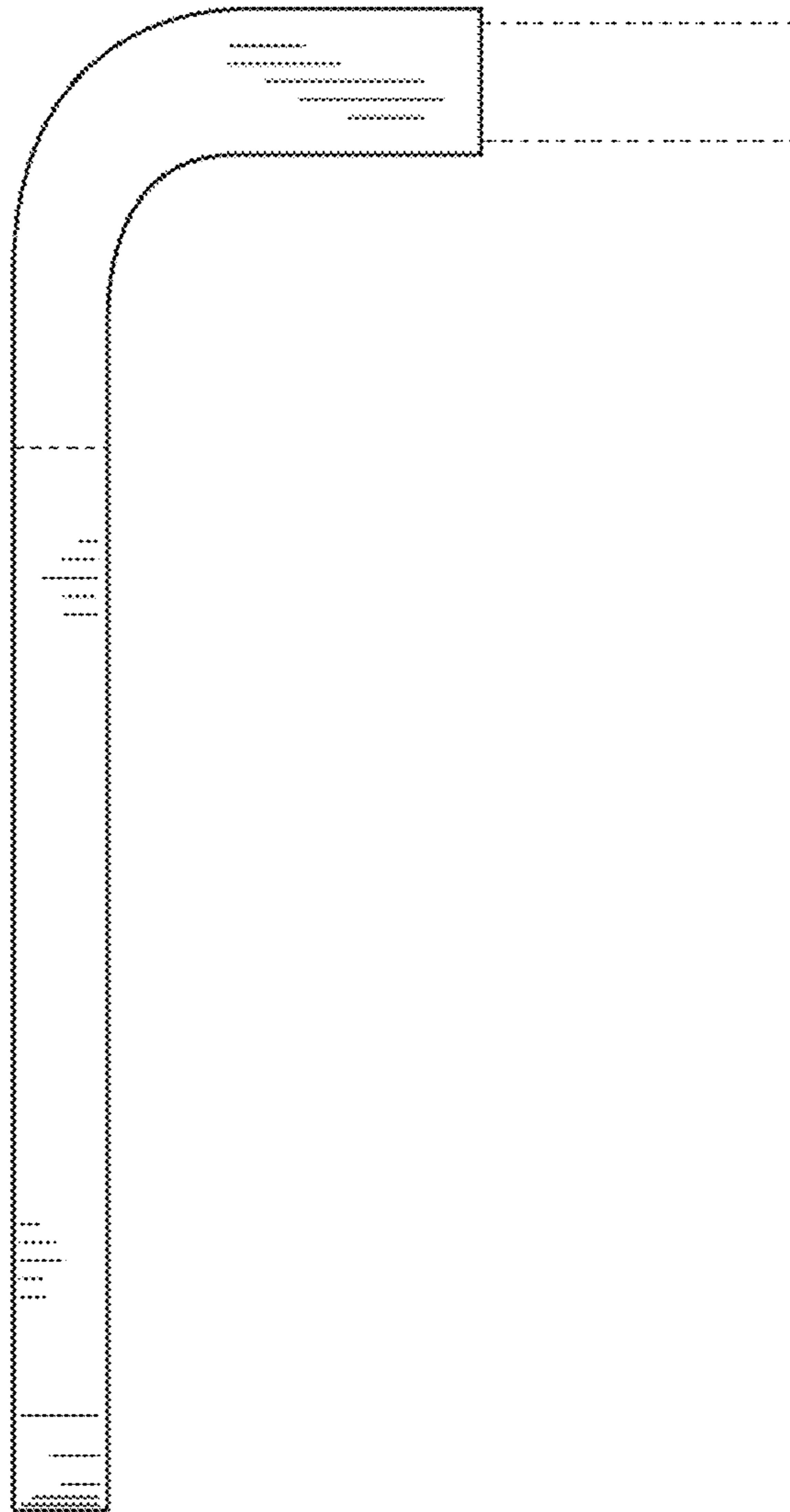


FIG. 7

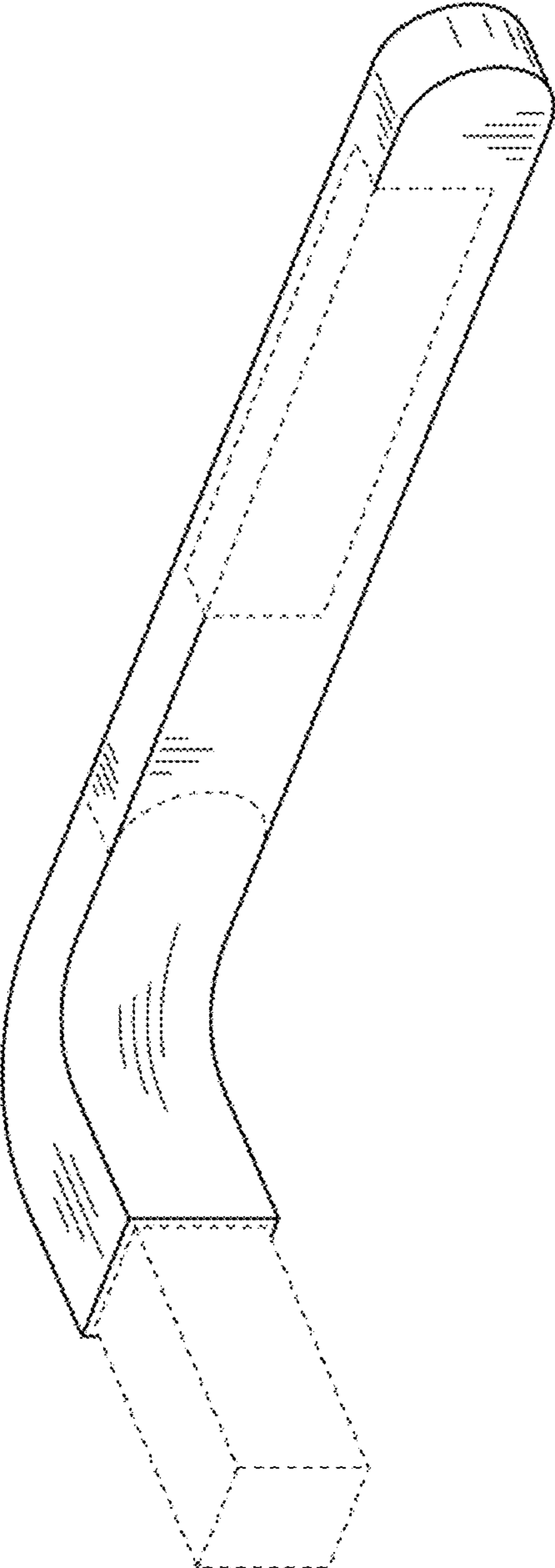


FIG. 8