



US00D704246S

(12) **United States Design Patent**
Chun

(10) **Patent No.:** **US D704,246 S**

(45) **Date of Patent:** **** May 6, 2014**

(54) **PORTABLE TRIPOD BASE**

(71) Applicant: **James K Chun**, Fremont, CA (US)

(72) Inventor: **James K Chun**, Fremont, CA (US)

(**) Term: **14 Years**

(21) Appl. No.: **29/437,126**

(22) Filed: **Nov. 13, 2012**

(51) **LOC (10) Cl.** **16-05**

(52) **U.S. Cl.**
USPC **D16/244**

(58) **Field of Classification Search**
USPC D16/200–206, 208, 209, 213, 217–219,
D16/237, 240, 242, 243, 244, 245, 250;
D21/514; 248/121, 126, 166–171,
248/176.1, 176.3, 187.1, 200, 229.11,
248/231.31, 346.01, 346.03; 348/373;
352/243; 358/906; 396/143, 373–376,
396/419, 421–428, 535–541

See application file for complete search history.

(56) **References Cited**

U.S. PATENT DOCUMENTS

6,431,507 B2 * 8/2002 Prather et al. 248/166
D470,526 S * 2/2003 Oliver et al. D16/242

6,845,954 B1 * 1/2005 Moayer et al. 248/187.1
D525,998 S * 8/2006 Bradley et al. D16/242
D552,144 S * 10/2007 Logan et al. D16/202
D555,699 S * 11/2007 Oh et al. D16/242
D631,079 S * 1/2011 Tzeng D16/202

* cited by examiner

Primary Examiner — Susan Bennett Hattan

Assistant Examiner — Leanne Was

(74) *Attorney, Agent, or Firm* — Dean A. Craine

(57) **CLAIM**

The ornamental design for a portable tripod base, as shown.

DESCRIPTION

FIG. 1 is a rear top perspective view of a portable tripod base.
FIG. 2 is a front bottom perspective view of the portable tripod base.

FIG. 3 is a top plan view of the portable tripod base.

FIG. 4 is a bottom plan view of the portable tripod base.

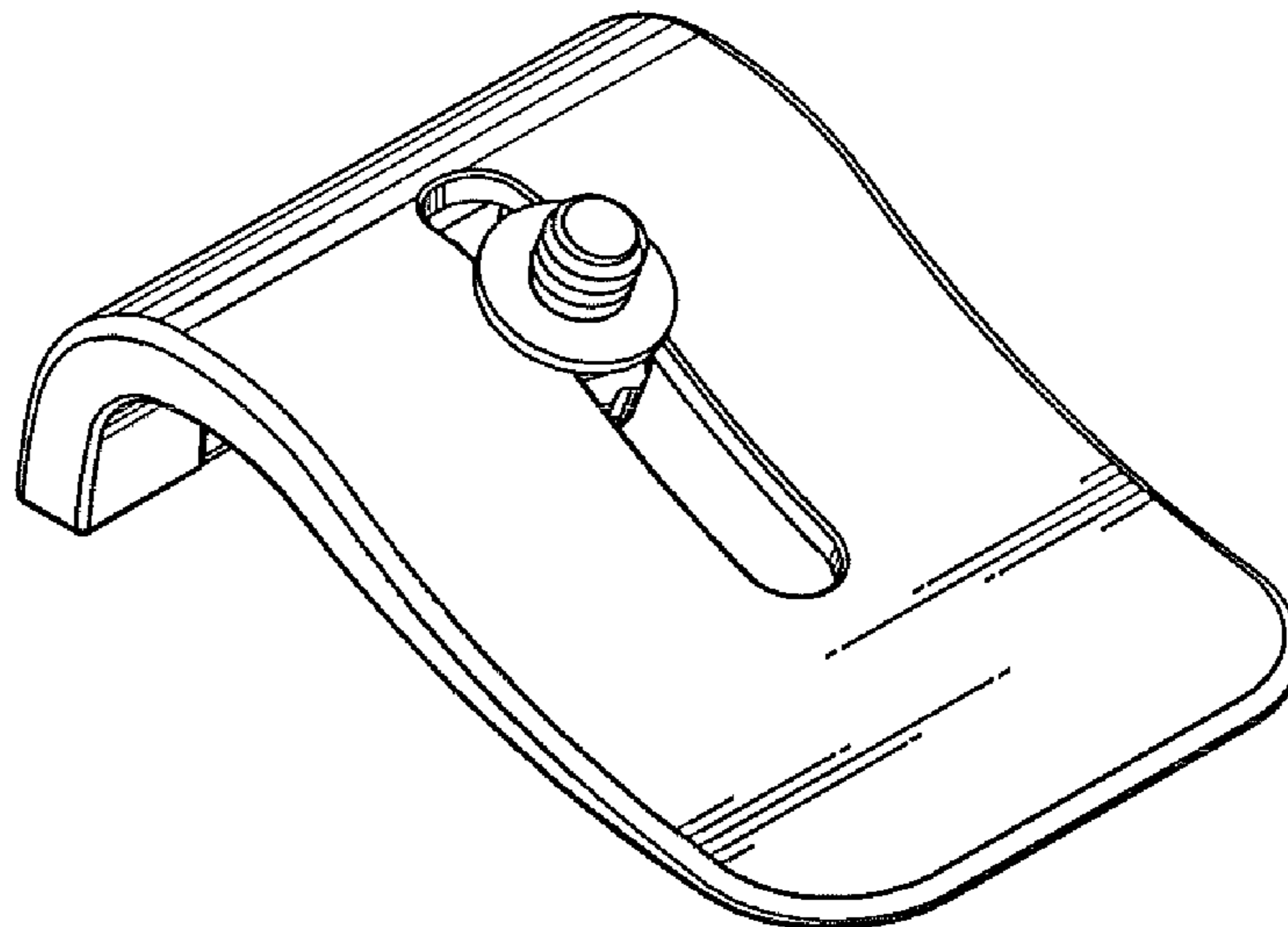
FIG. 5 is a right side elevational view of the portable tripod base.

FIG. 6 is a left side elevational view of the portable tripod base.

FIG. 7 is a front elevational view of the portable tripod base; and,

FIG. 8 is a rear elevational view of the portable tripod base.

1 Claim, 2 Drawing Sheets



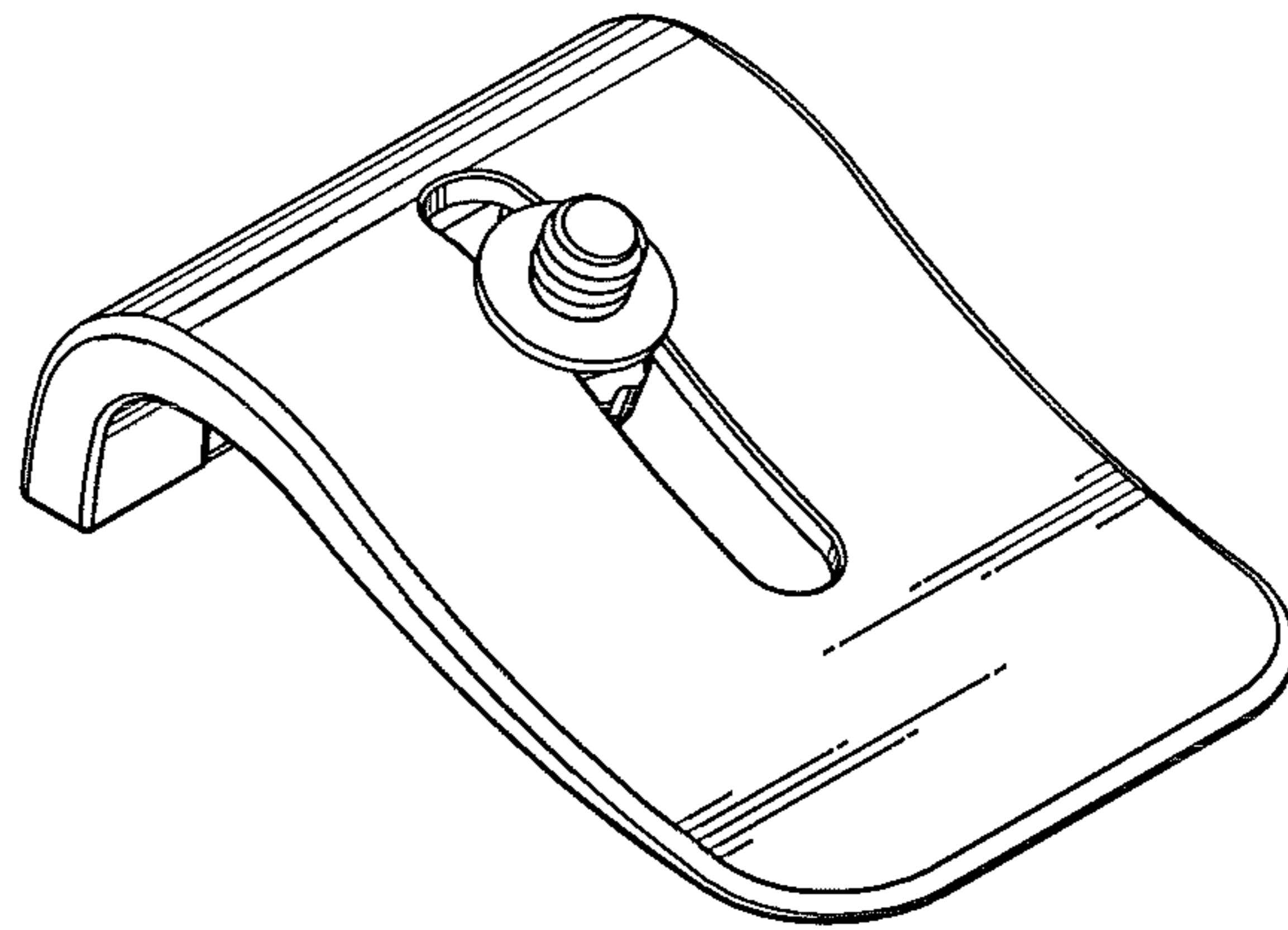


Fig. 1

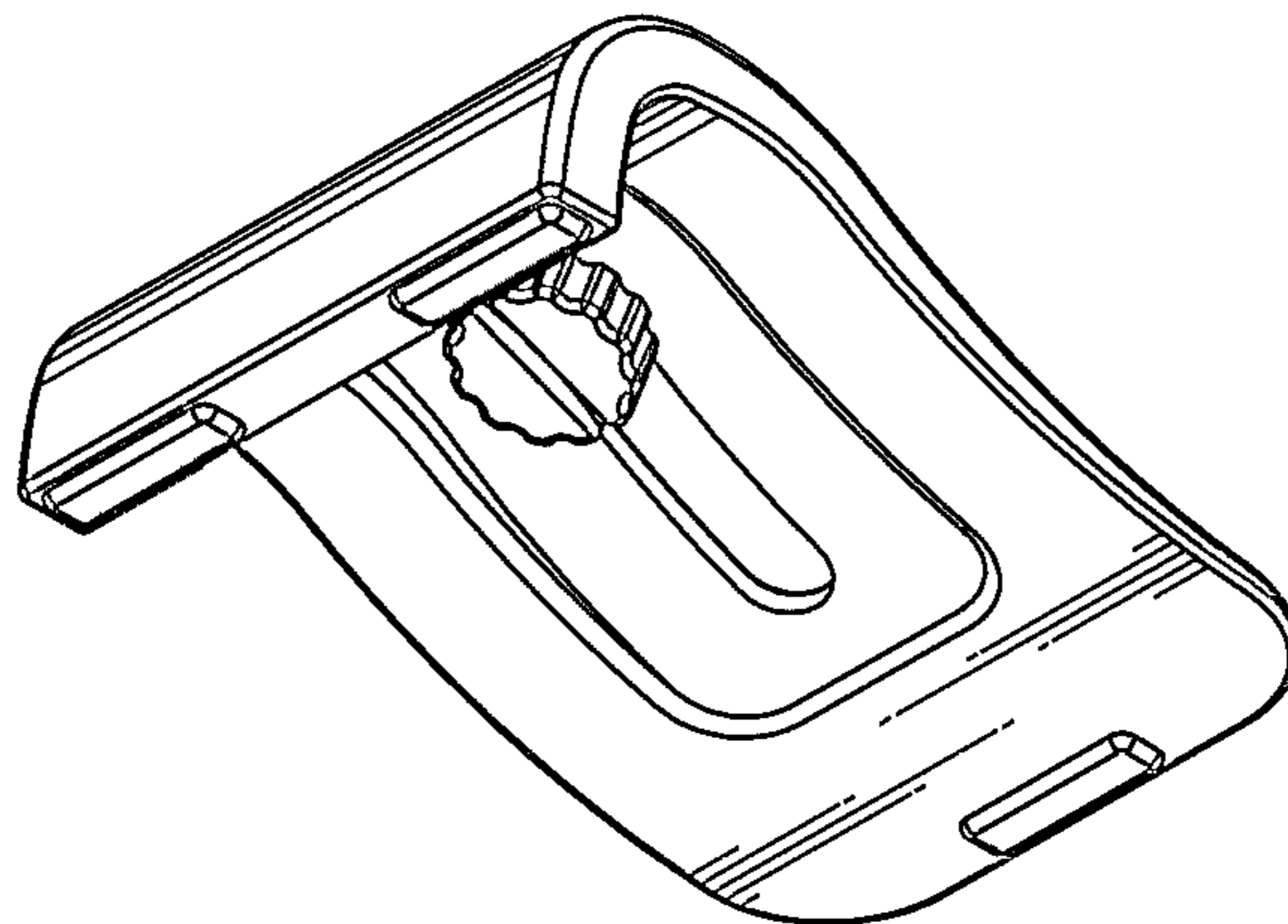


Fig. 2

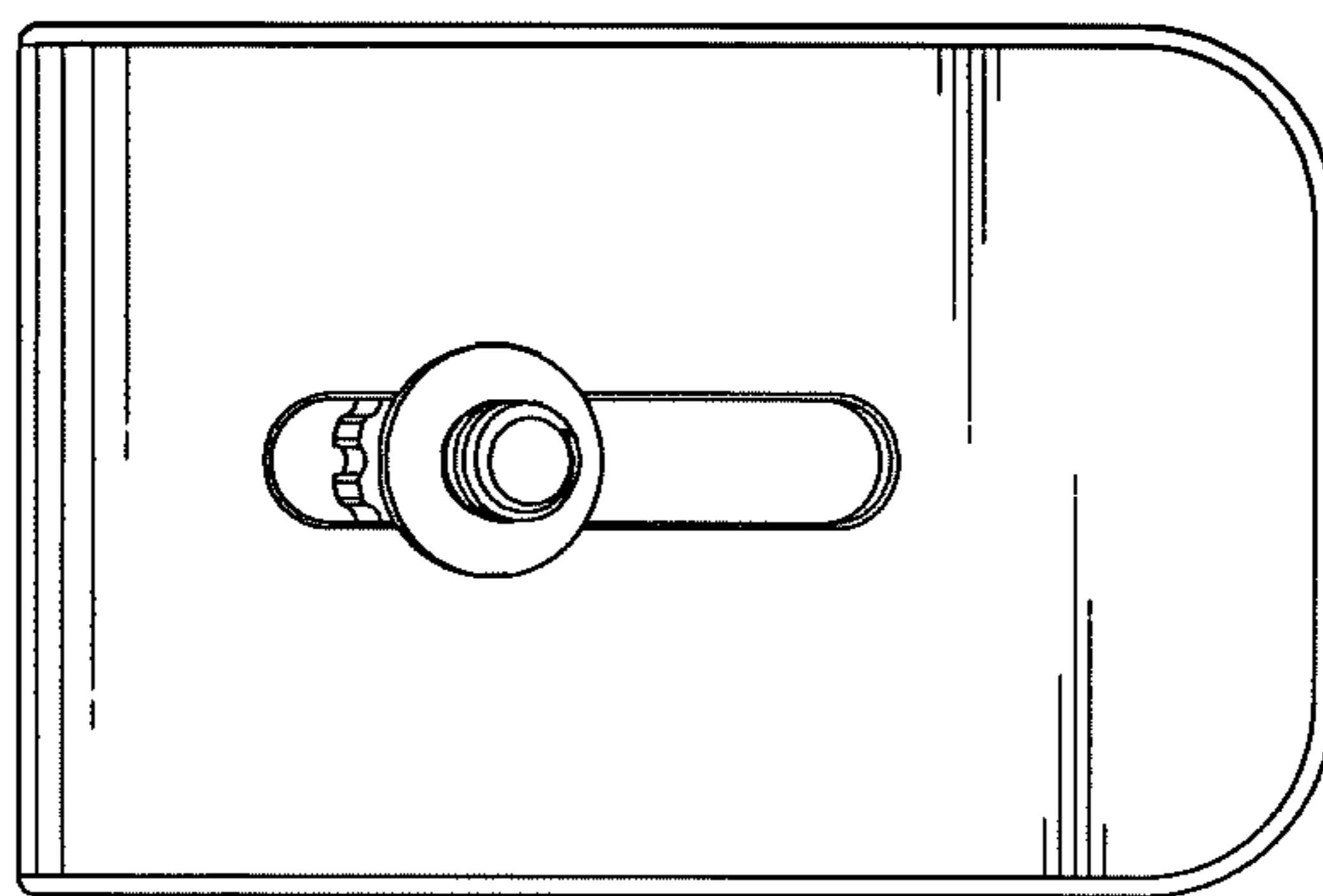


Fig. 3

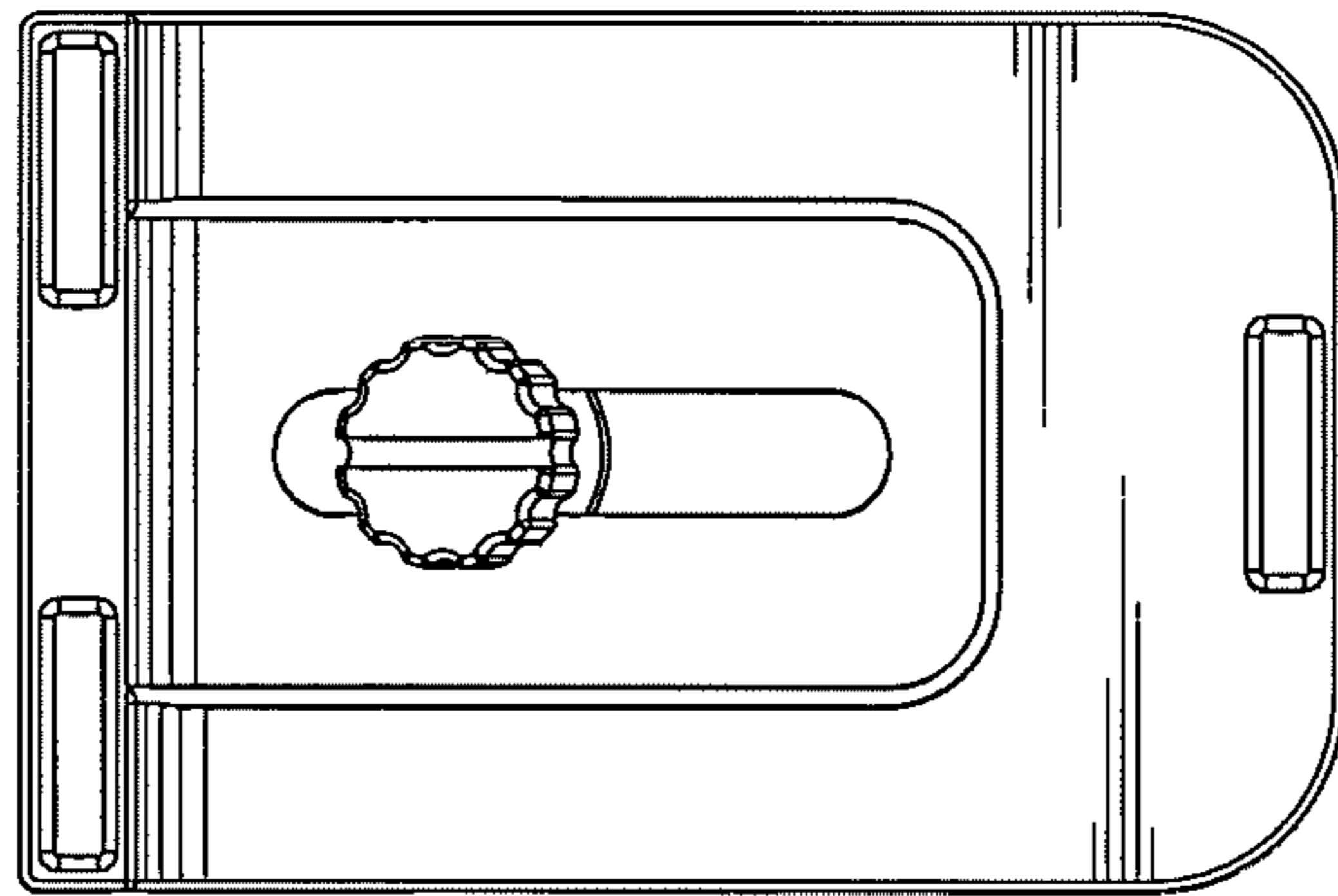


Fig. 4

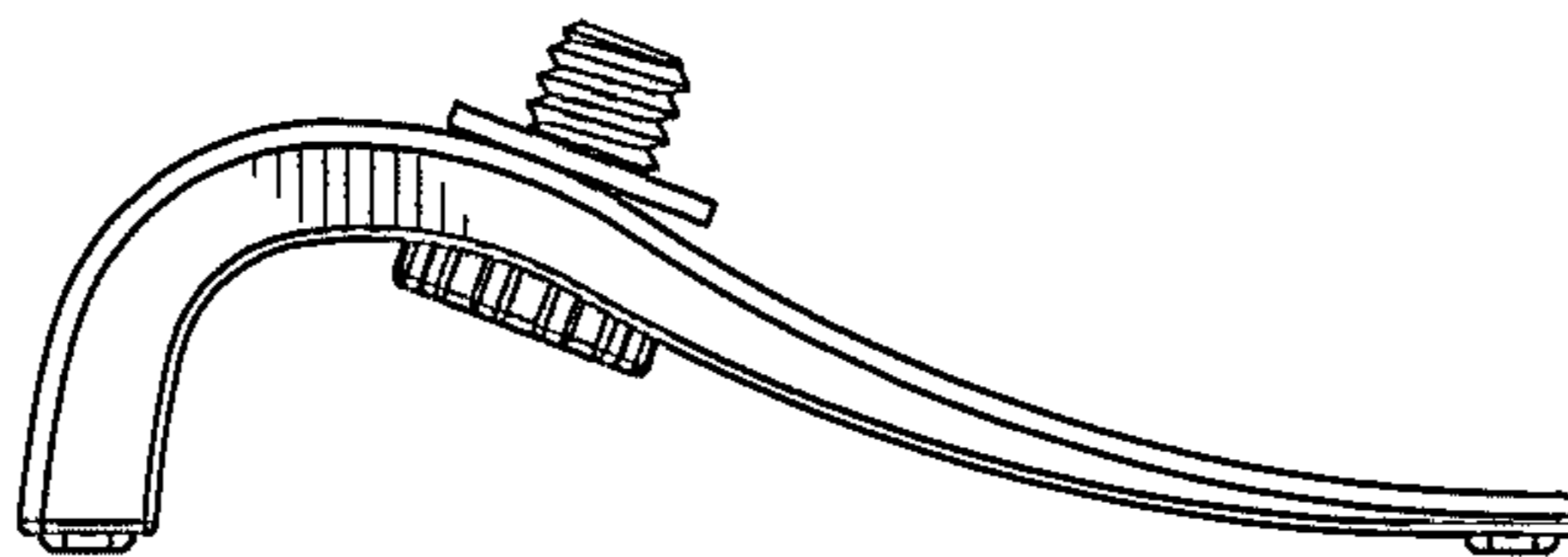


Fig. 5

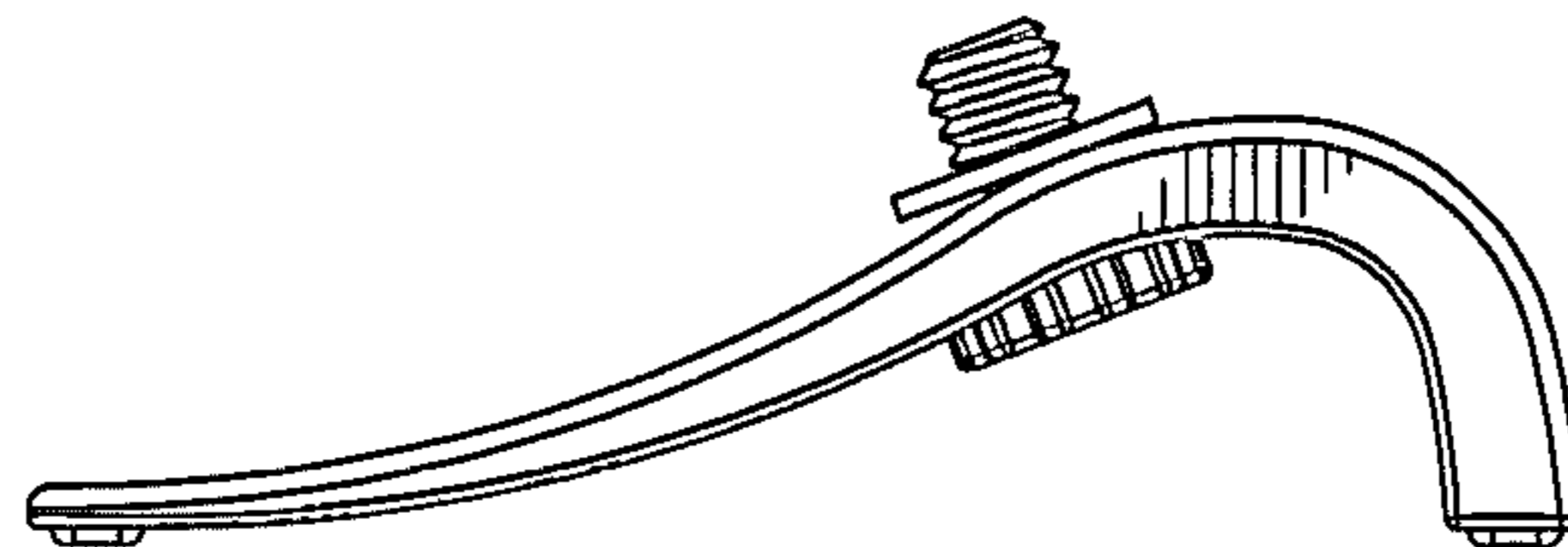


Fig. 6

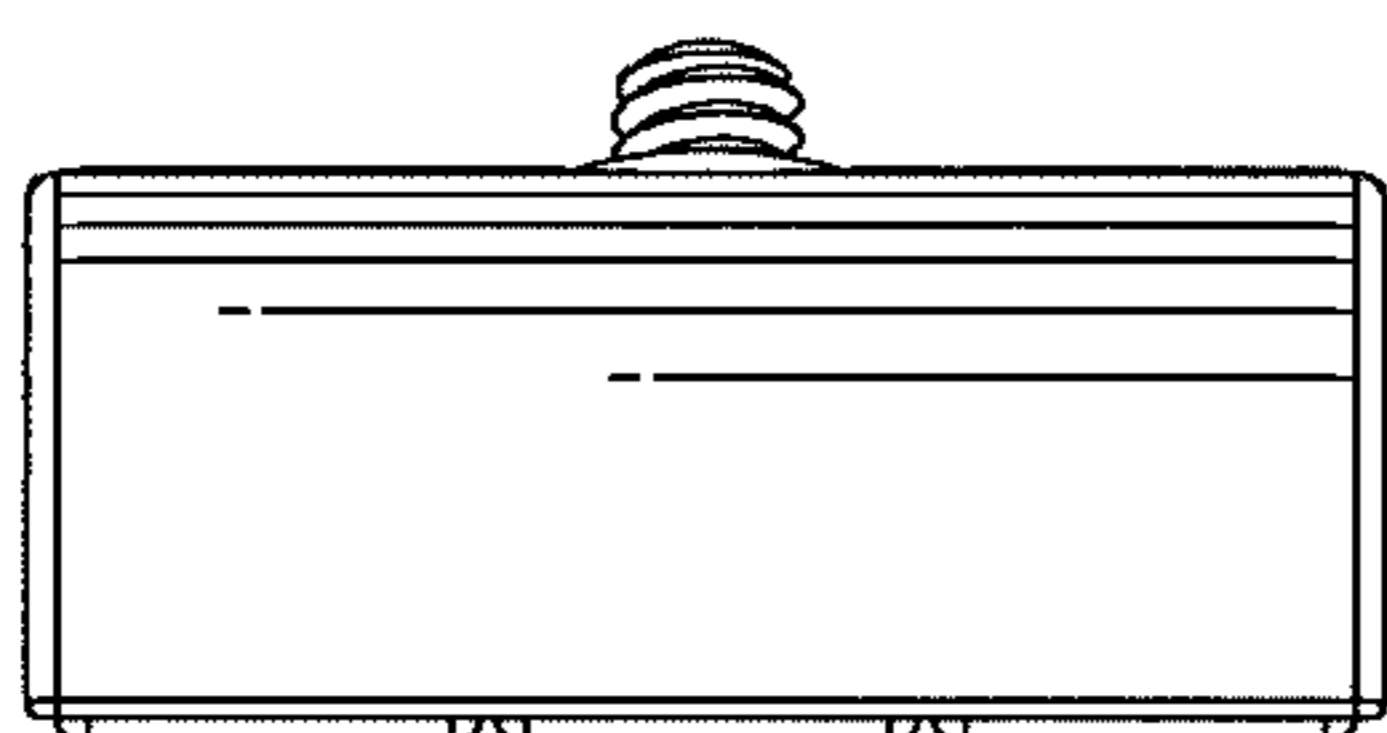


Fig. 7

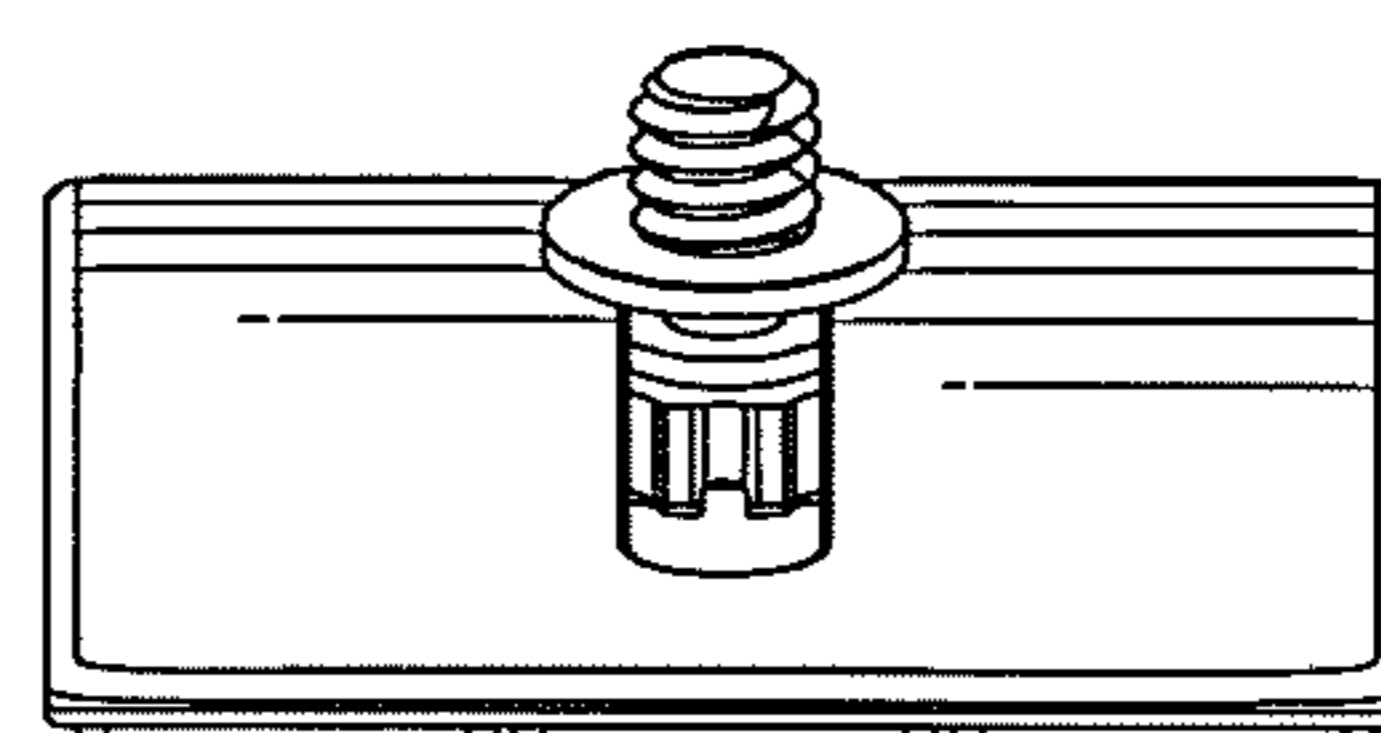


Fig. 8