

US00D704245S

(12) **United States Design Patent**
Kim et al.

(10) **Patent No.:** **US D704,245 S**

(45) **Date of Patent:** **** May 6, 2014**

(54) **CAMERA CONTROLLER**

(71) Applicant: **Samsung Electronics Co., Ltd.**,
Suwon-si (KR)

(72) Inventors: **Min-Geun Kim**, Goyang-Si (KR);
Haruo Hayashi, Seoul (KR)

(73) Assignee: **Samsung Electronics Co., Ltd.**,
Suwon-si (KR)

(**) Term: **14 Years**

(21) Appl. No.: **29/446,907**

(22) Filed: **Feb. 28, 2013**

(30) **Foreign Application Priority Data**

Aug. 28, 2012 (KR) 30-2012-0041124

(51) **LOC (10) Cl.** **16-05**

(52) **U.S. Cl.**
USPC **D16/237**

(58) **Field of Classification Search**
USPC D16/237, 239, 240, 242-245;
D14/203.4, 250, 345, 440, 449; 362/3,
362/16-18, 182, 552, 612; D3/205, 227,
D3/247, 263, 267, 268, 298; D8/73, 107,
D8/310, 352, 373, 382; D9/435, 445, 453,
D9/454

See application file for complete search history.

(56) **References Cited**

U.S. PATENT DOCUMENTS

2,506,878	A *	5/1950	Kraus	248/187.1
D267,344	S *	12/1982	Sundstrom et al.	D24/218
D607,038	S *	12/2009	Carlesso	D16/245
D656,534	S *	3/2012	Geller	D16/242
D659,177	S *	5/2012	Chan	D16/242
D666,662	S *	9/2012	Runnals	D16/242
2010/0266271	A1 *	10/2010	Carlesso et al.	396/428

* cited by examiner

Primary Examiner — Susan Bennett Hattan

Assistant Examiner — Vy Koenig

(74) *Attorney, Agent, or Firm* — NSIP Law

(57) **CLAIM**

The ornamental design for a camera controller, as shown and described.

DESCRIPTION

FIG. 1 is a front perspective view of a camera controller; FIG. 2 is a front view of the camera controller of FIG. 1; FIG. 3 is a rear view of the camera controller of FIG. 1; FIG. 4 is a left-side view of the camera controller of FIG. 1; FIG. 5 is a right-side view of the camera controller of FIG. 1; FIG. 6 is a top plan view of the camera controller of FIG. 1; and, FIG. 7 is a bottom plan view of the camera controller of FIG. 1.

The dash-dot-dot-dash broken line immediately adjacent the solid-line portions of the design represents an unclaimed boundary of the design.

1 Claim, 7 Drawing Sheets

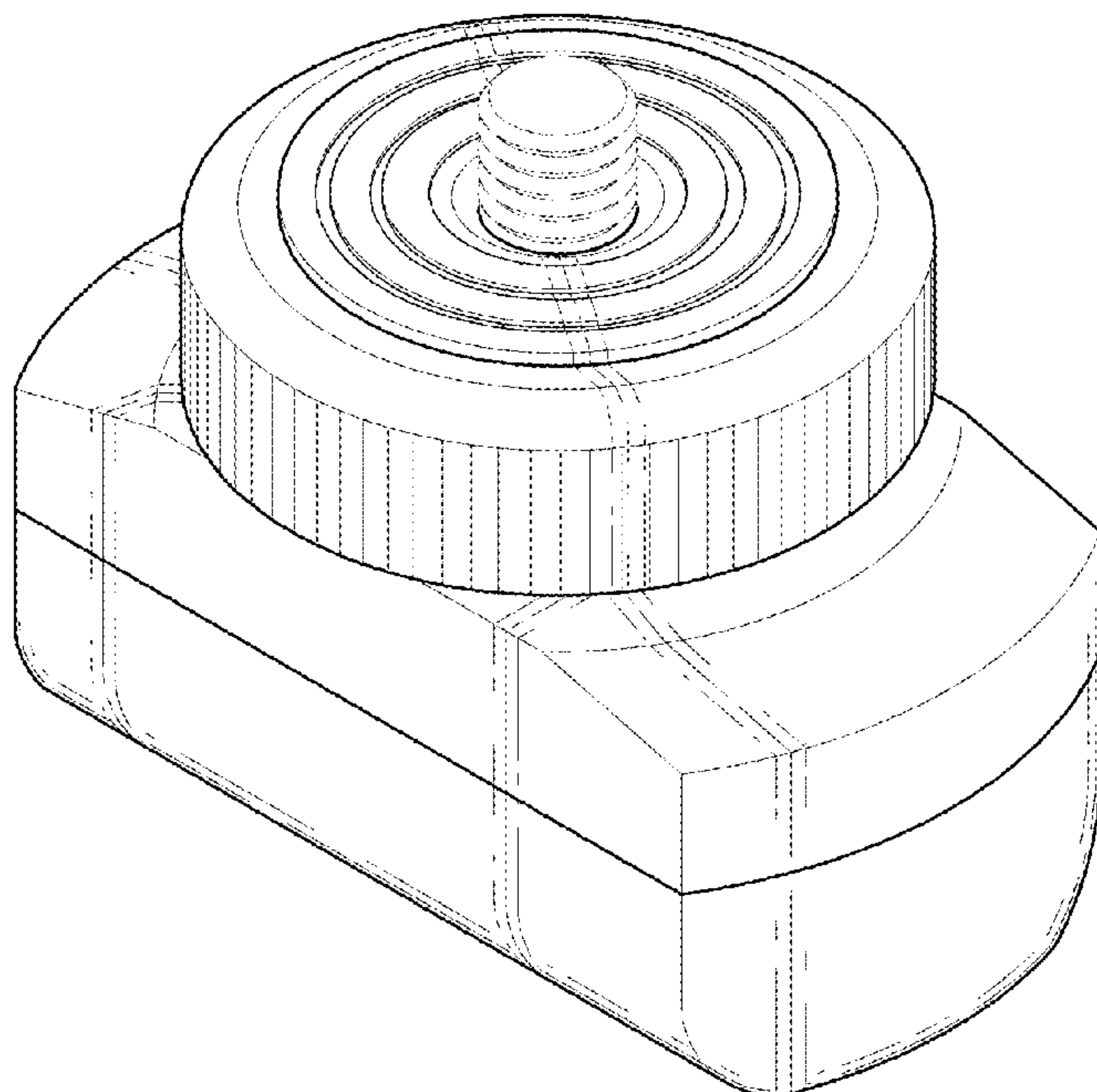


FIG. 1

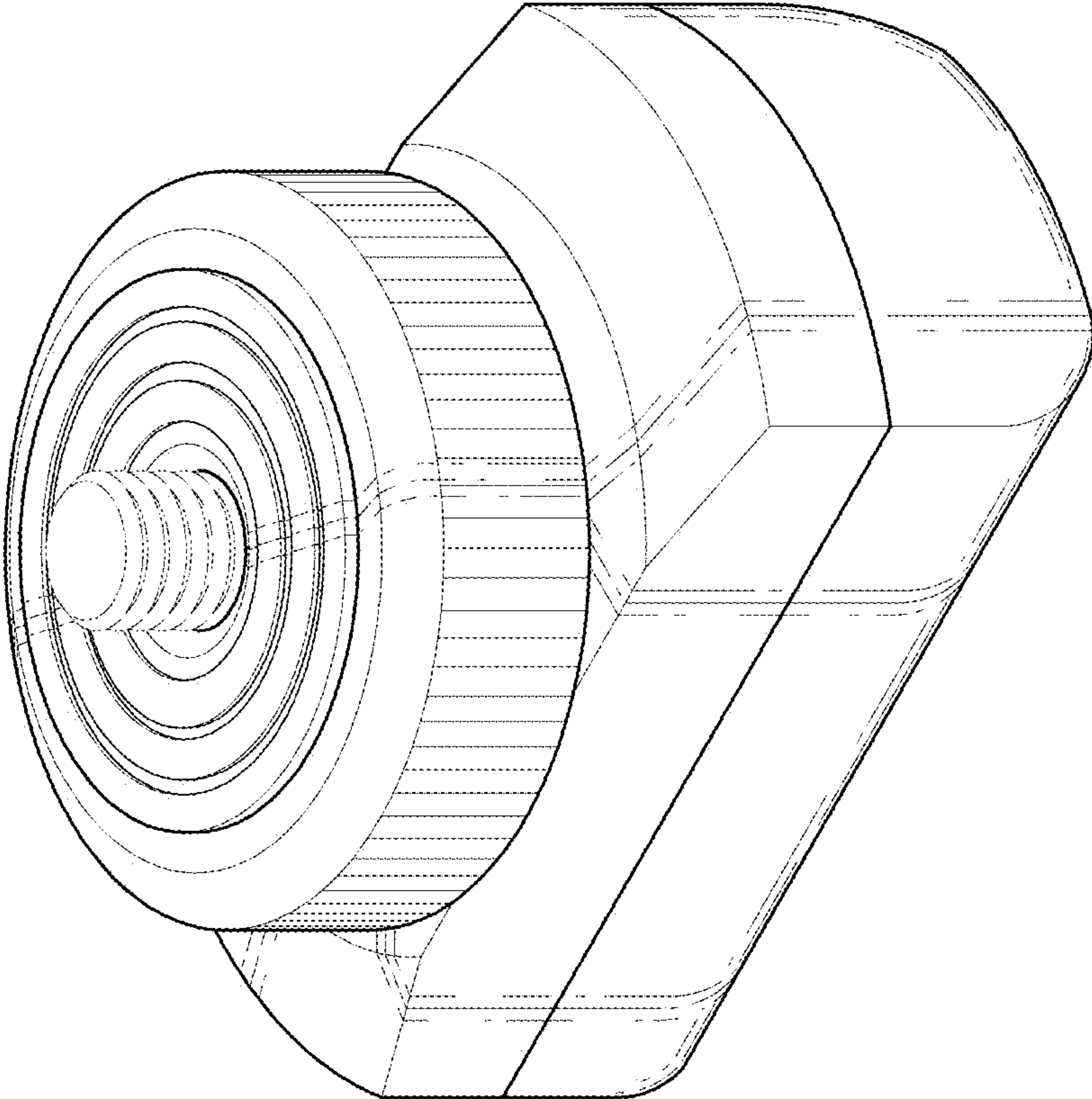


FIG. 2

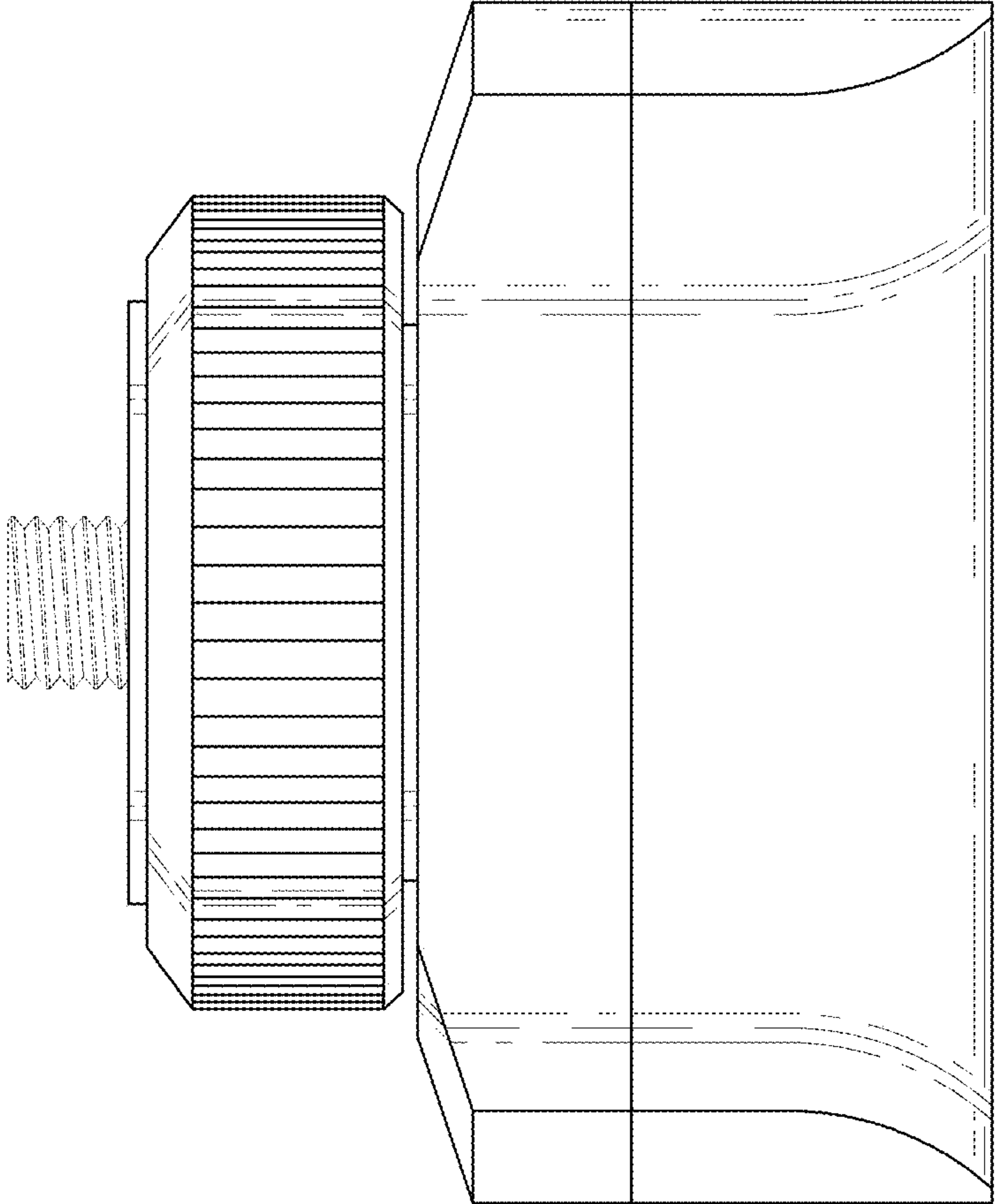


FIG. 3

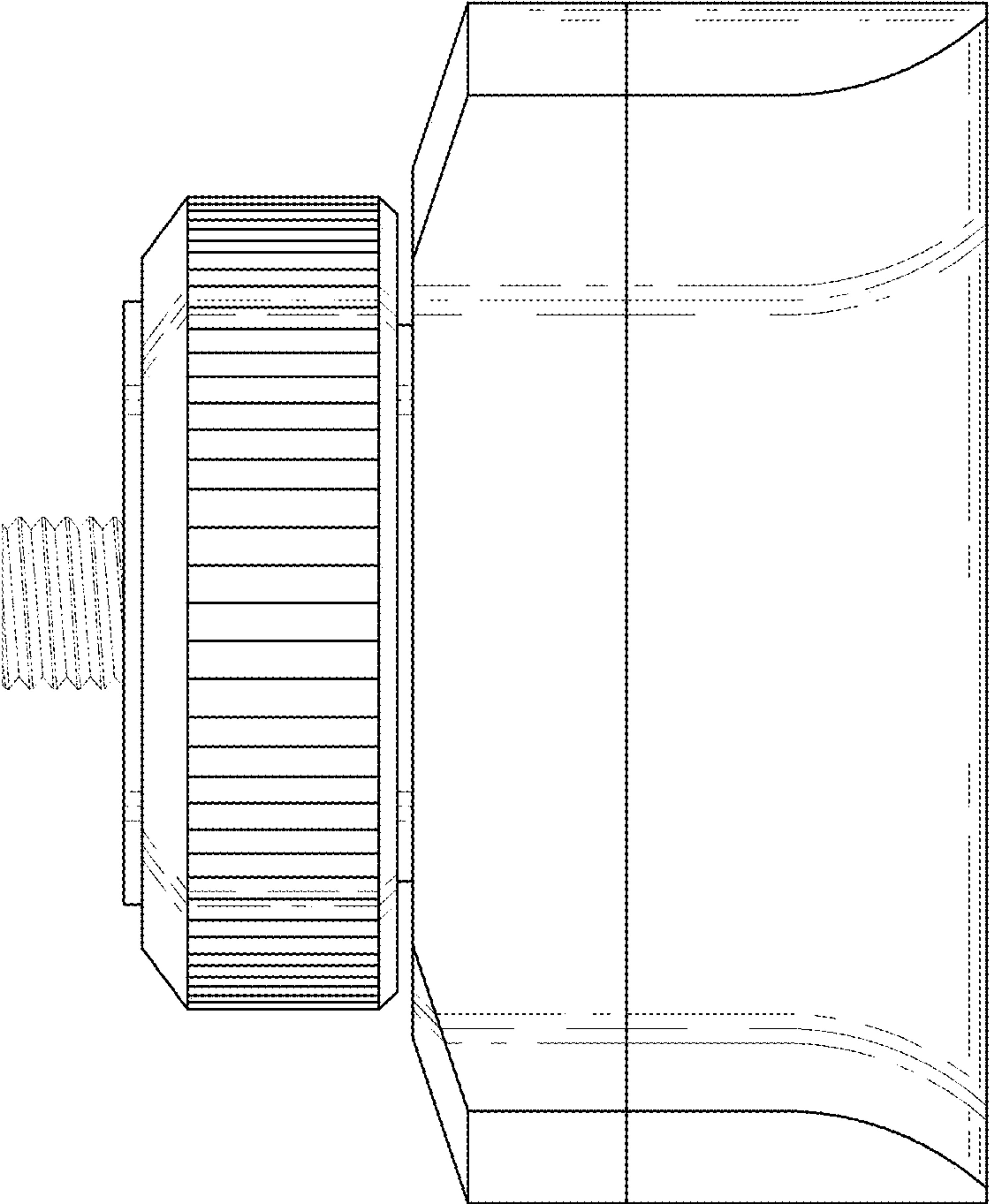


FIG. 4

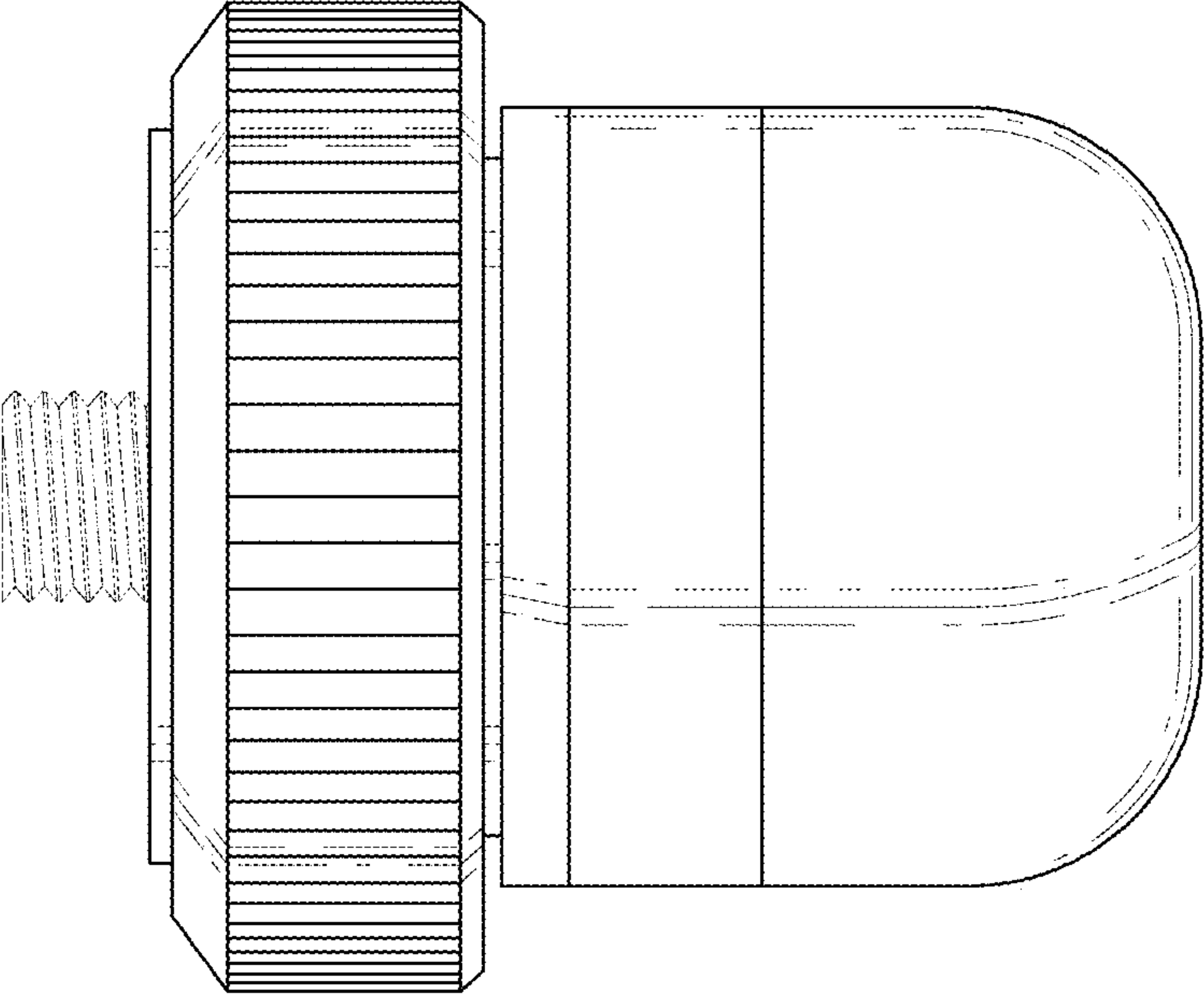


FIG. 5

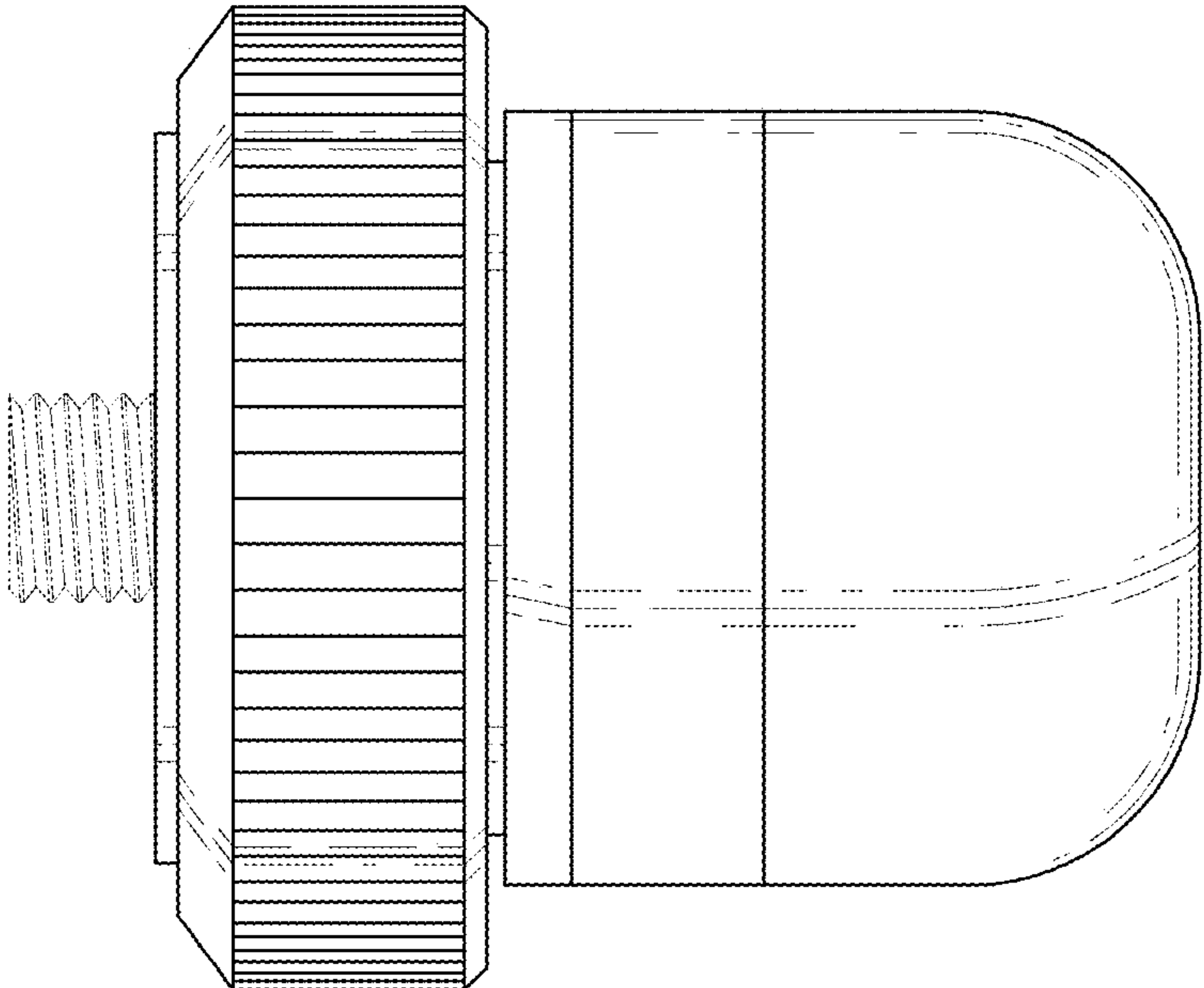


FIG. 6

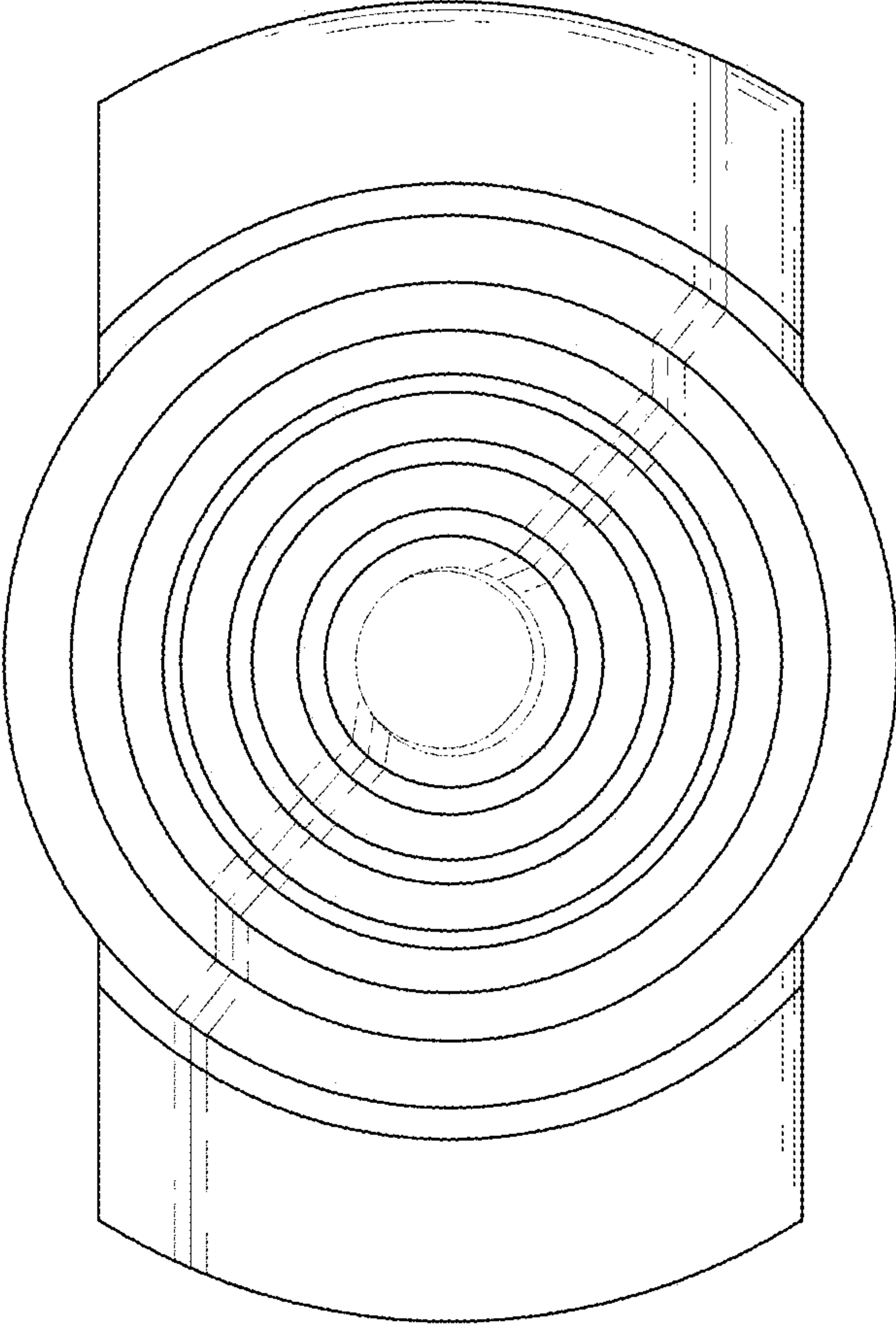


FIG. 7

