



US00D704244S

(12) **United States Design Patent**
Ham

(10) **Patent No.:** **US D704,244 S**

(45) **Date of Patent:** **** May 6, 2014**

(54) **CAMERA SUN VISOR**

(71) Applicant: **Samsung Electronics Co., Ltd.**,
Suwon-si (KR)

(72) Inventor: **Min-Ki Ham**, Seoul (KR)

(73) Assignee: **Samsung Electronics Co., Ltd.**,
Suwon-si (KR)

(**) Term: **14 Years**

(21) Appl. No.: **29/446,891**

(22) Filed: **Feb. 28, 2013**

(30) **Foreign Application Priority Data**

Aug. 28, 2012 (KR) 30-2012-0041129

(51) **LOC (10) Cl.** **16-05**

(52) **U.S. Cl.**
USPC **D16/237**

(58) **Field of Classification Search**

USPC D16/237, 239, 240; D14/203.4, 250,
D14/345, 440, 449; 362/3, 16-18, 182, 552,
362/612; D3/205, 227, 247, 263, 267, 268,
D3/298; D8/73, 107, 310, 352, 373, 382;
D9/435, 445, 453, 454; D11/78.1

See application file for complete search history.

(56) **References Cited**

U.S. PATENT DOCUMENTS

D252,071 S * 6/1979 Lieberman D8/373
D375,730 S * 11/1996 Chen D14/449
D379,178 S * 5/1997 Kane D14/449
D385,543 S * 10/1997 Phirippidis et al. D14/449
5,717,566 A * 2/1998 Tao 361/679.27
D411,753 S * 6/1999 Jobin D99/43
6,302,546 B1 * 10/2001 Kordiak 359/608

D514,582 S * 2/2006 Dulberger D14/449
D586,350 S * 2/2009 Matsui et al. D14/449
D591,323 S * 4/2009 Fong D16/237
D611,473 S * 3/2010 Lee D14/371
D624,950 S * 10/2010 Hall, Jr. D16/237

* cited by examiner

Primary Examiner — Susan Bennett Hattan

Assistant Examiner — Vy Koenig

(74) *Attorney, Agent, or Firm* — NSIP Law

(57) **CLAIM**

The ornamental design for a camera sun visor, as shown and described.

DESCRIPTION

FIG. 1 is a front perspective view of a camera sun visor in a closed position;

FIG. 2 is a front view of the camera sun visor of FIG. 1;

FIG. 3 is a rear view of the camera sun visor of FIG. 1;

FIG. 4 is a left-side view of the camera sun visor of FIG. 1;

FIG. 5 is a right-side view of the camera sun visor of FIG. 1;

FIG. 6 is a top plan view of the camera sun visor of FIG. 1;

FIG. 7 is a bottom plan view of the camera sun visor of FIG. 1;

FIG. 8 is a front perspective view of a camera sun visor in an open position;

FIG. 9 is a front view of the camera sun visor of FIG. 8;

FIG. 10 is a rear view of the camera sun visor of FIG. 8;

FIG. 11 is a left-side view of the camera sun visor of FIG. 8;

FIG. 12 is a right-side view of the camera sun visor of FIG. 8;

FIG. 13 is a top plan view of the camera sun visor of FIG. 8;

and,

FIG. 14 is a bottom plan view of the camera sun visor of FIG. 8.

1 Claim, 12 Drawing Sheets

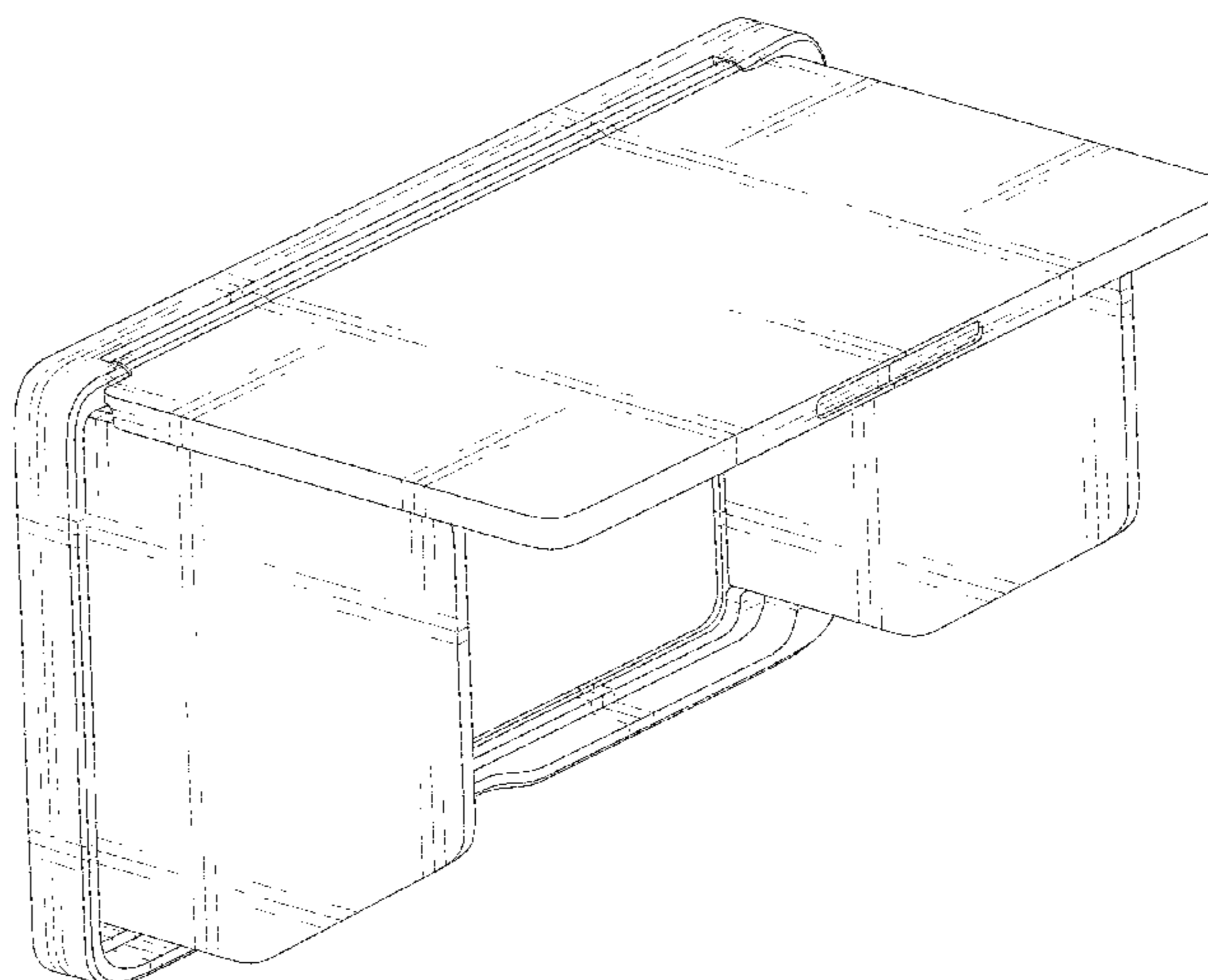
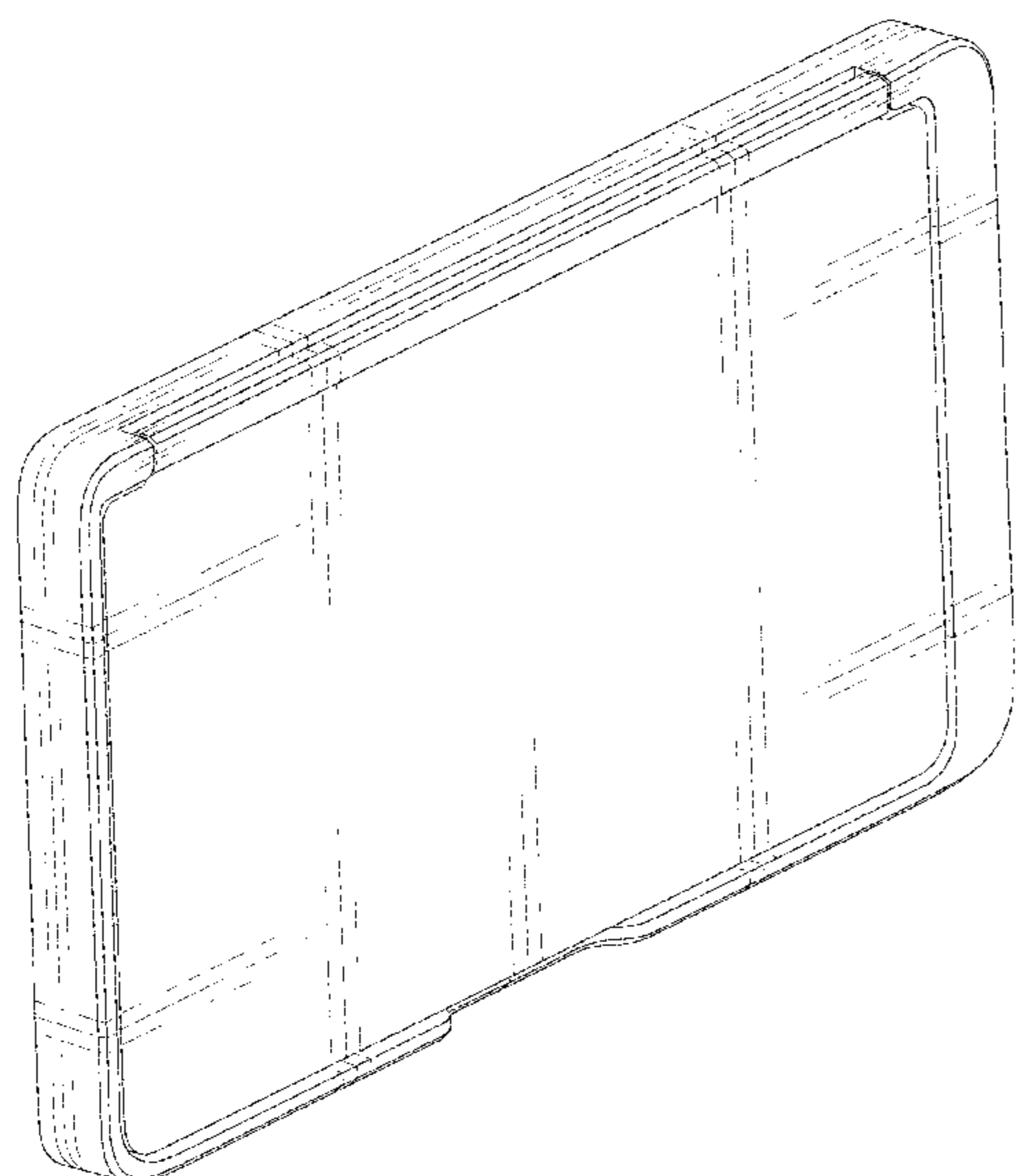


FIG. 1

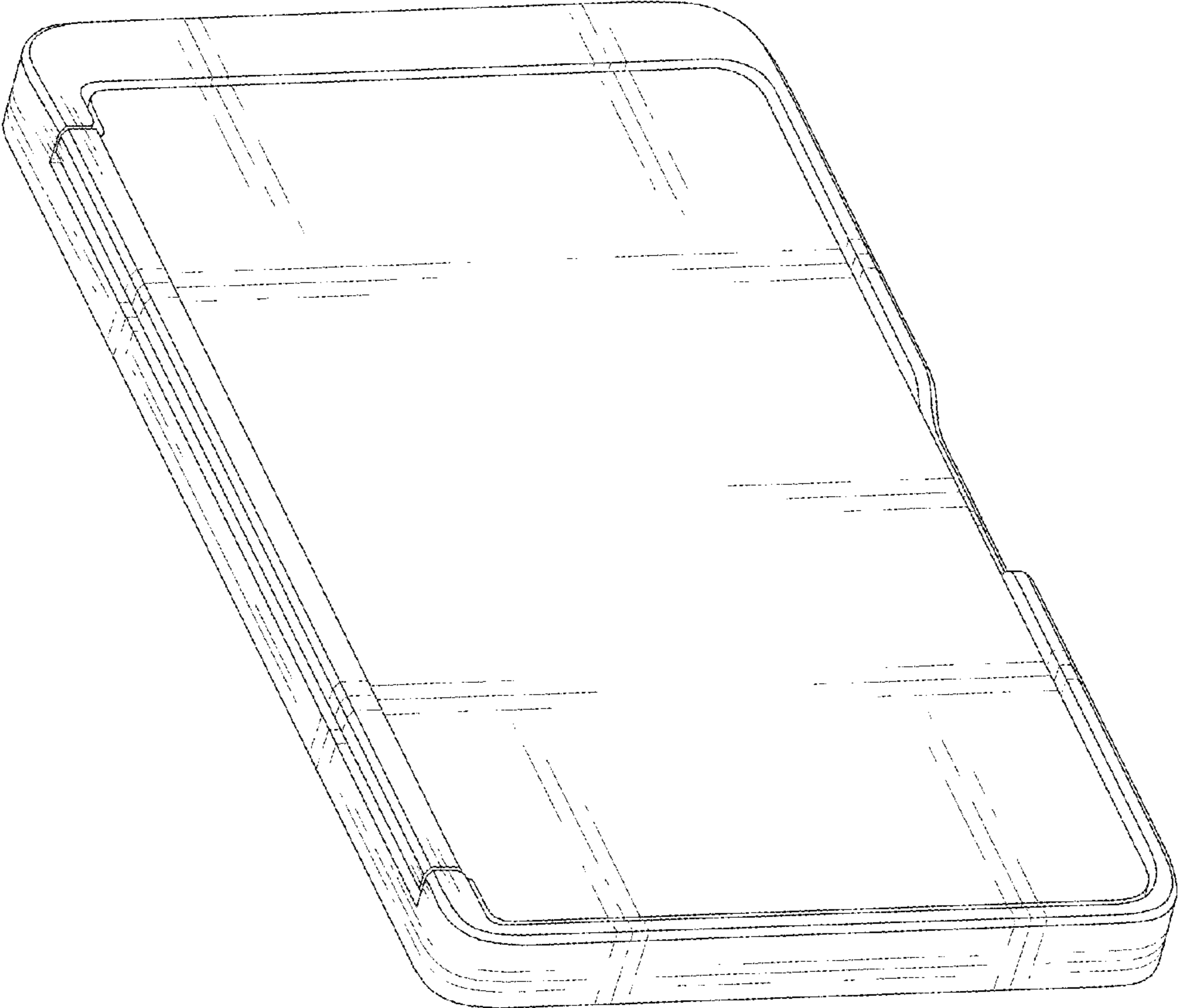


FIG. 2

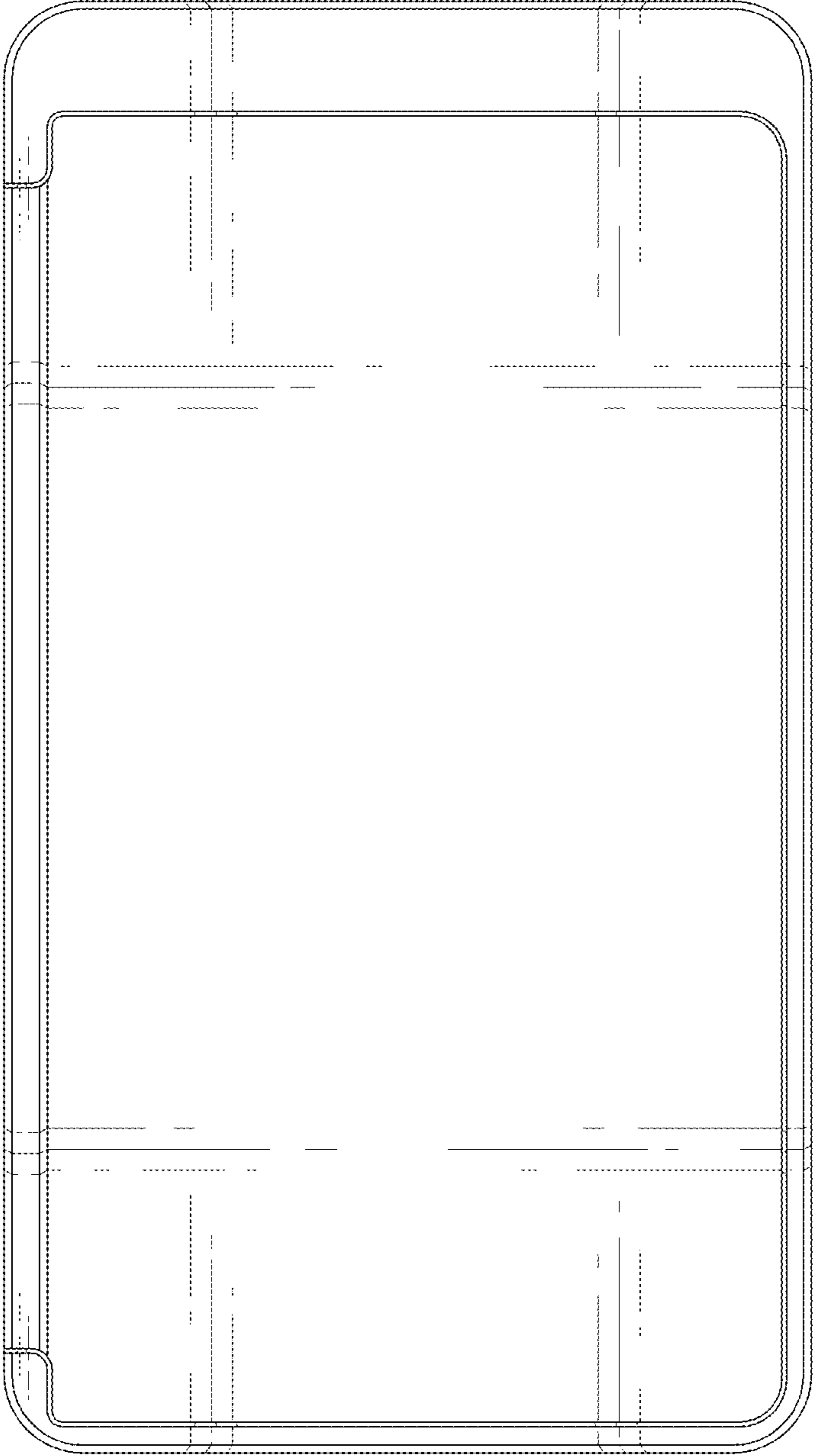


FIG. 3

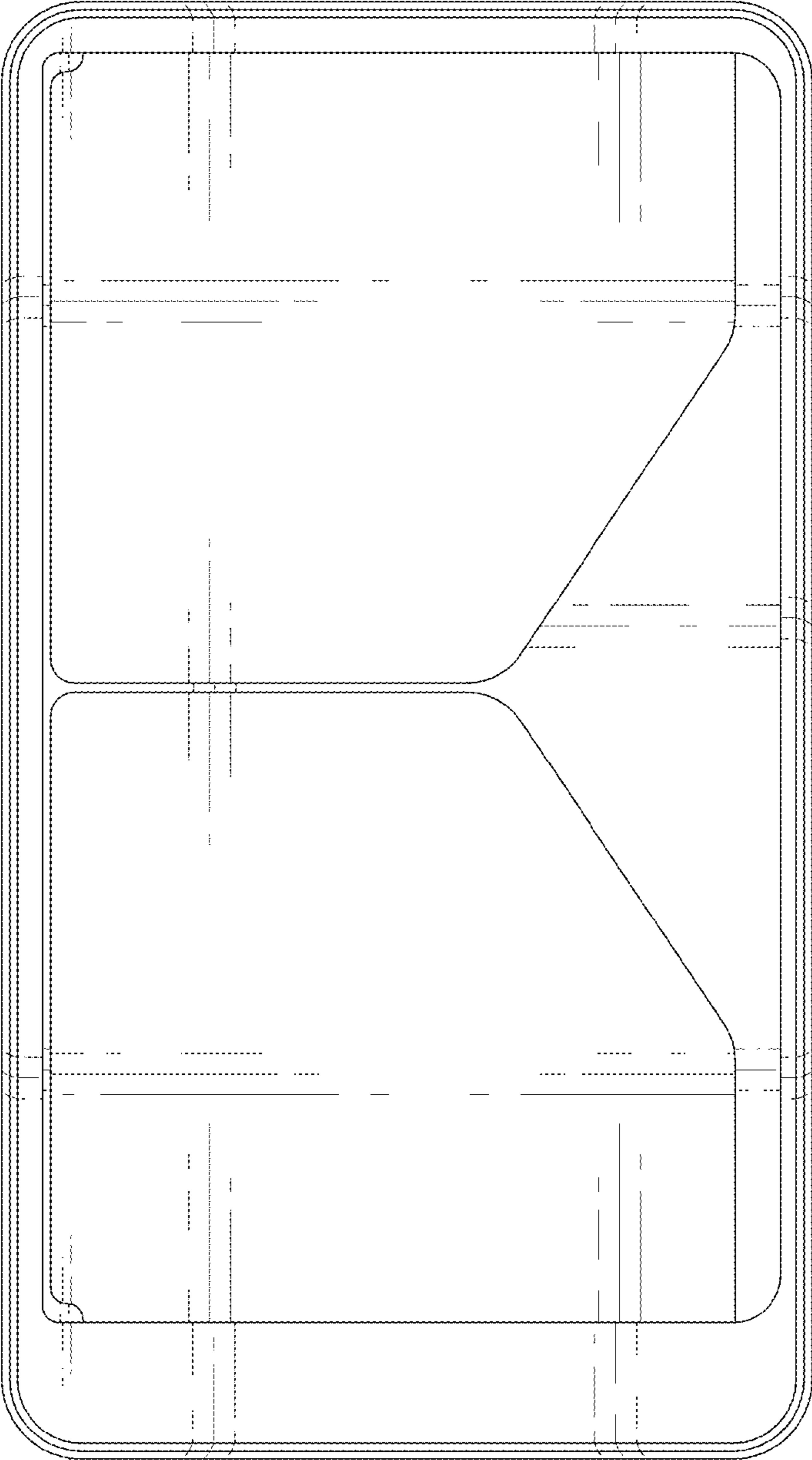


FIG. 5

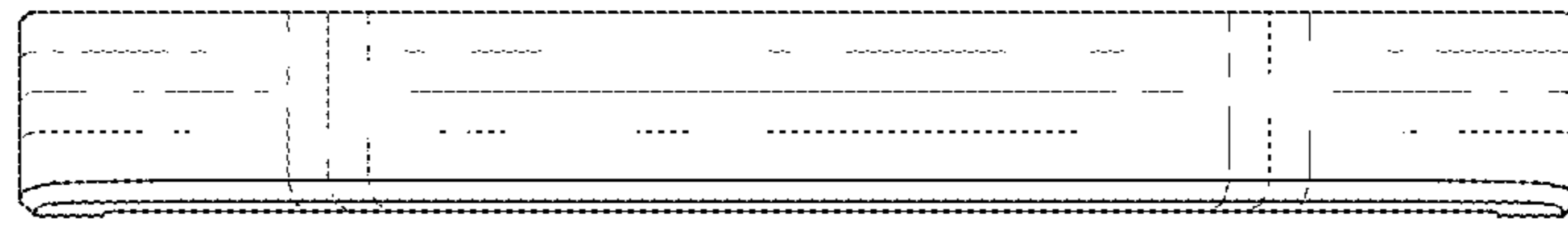


FIG. 4

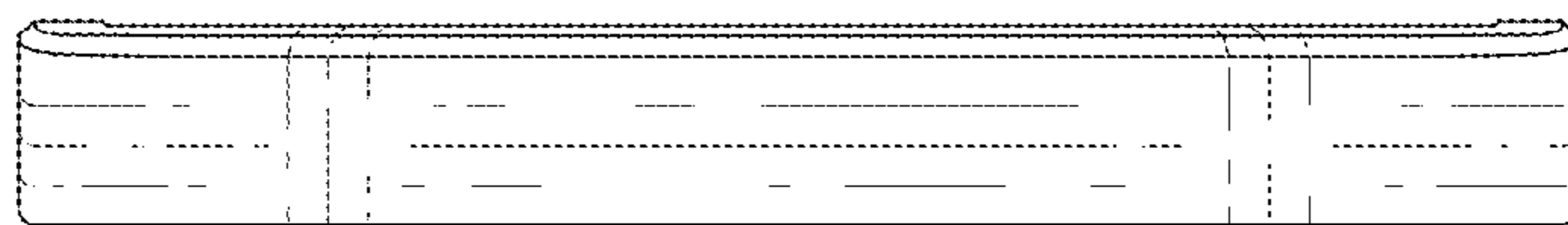


FIG. 6

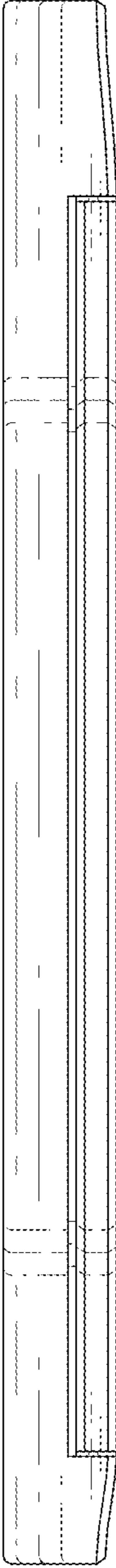


FIG. 7

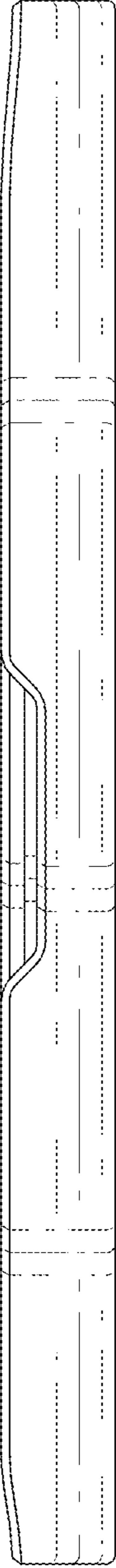


FIG. 8

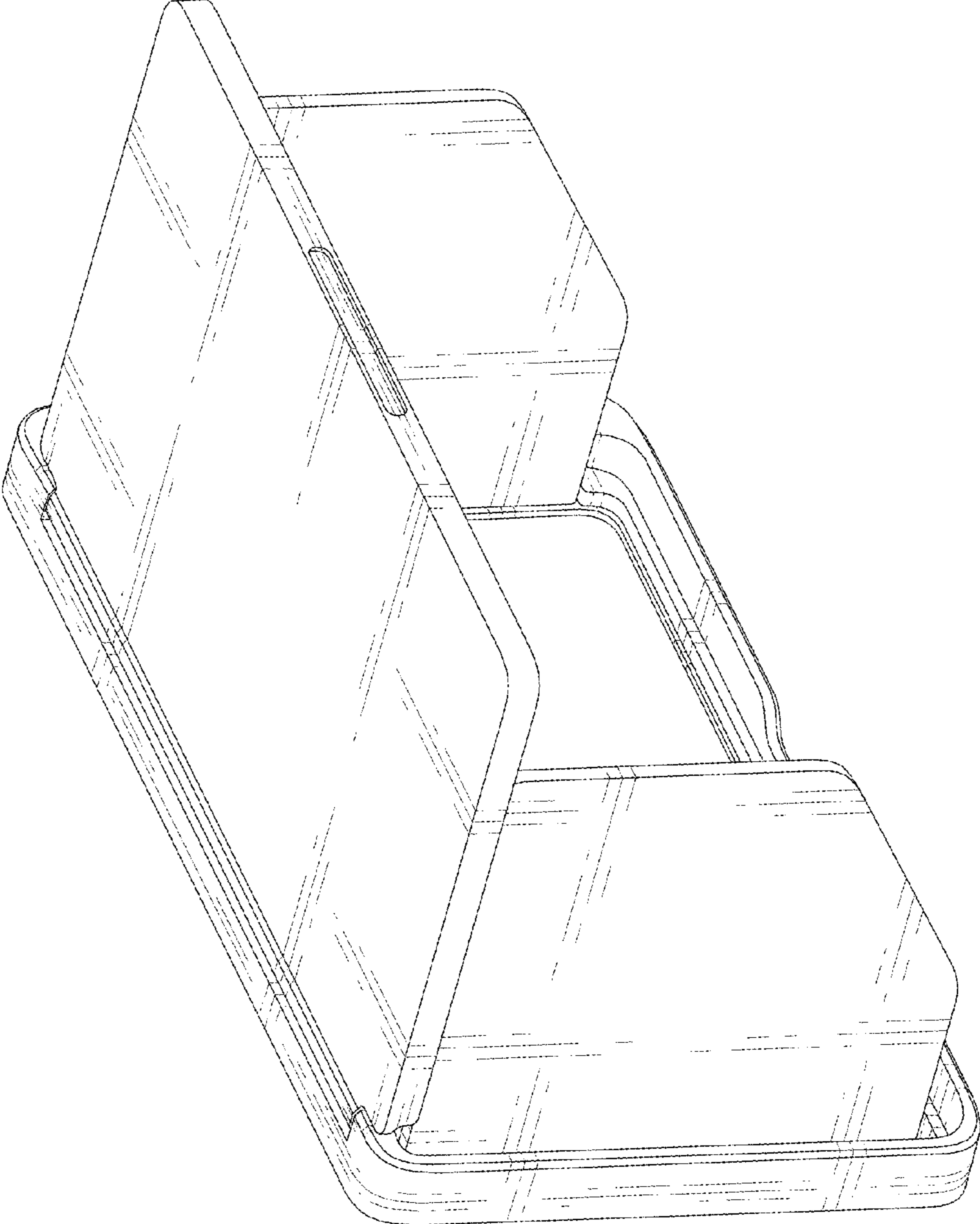


FIG. 9

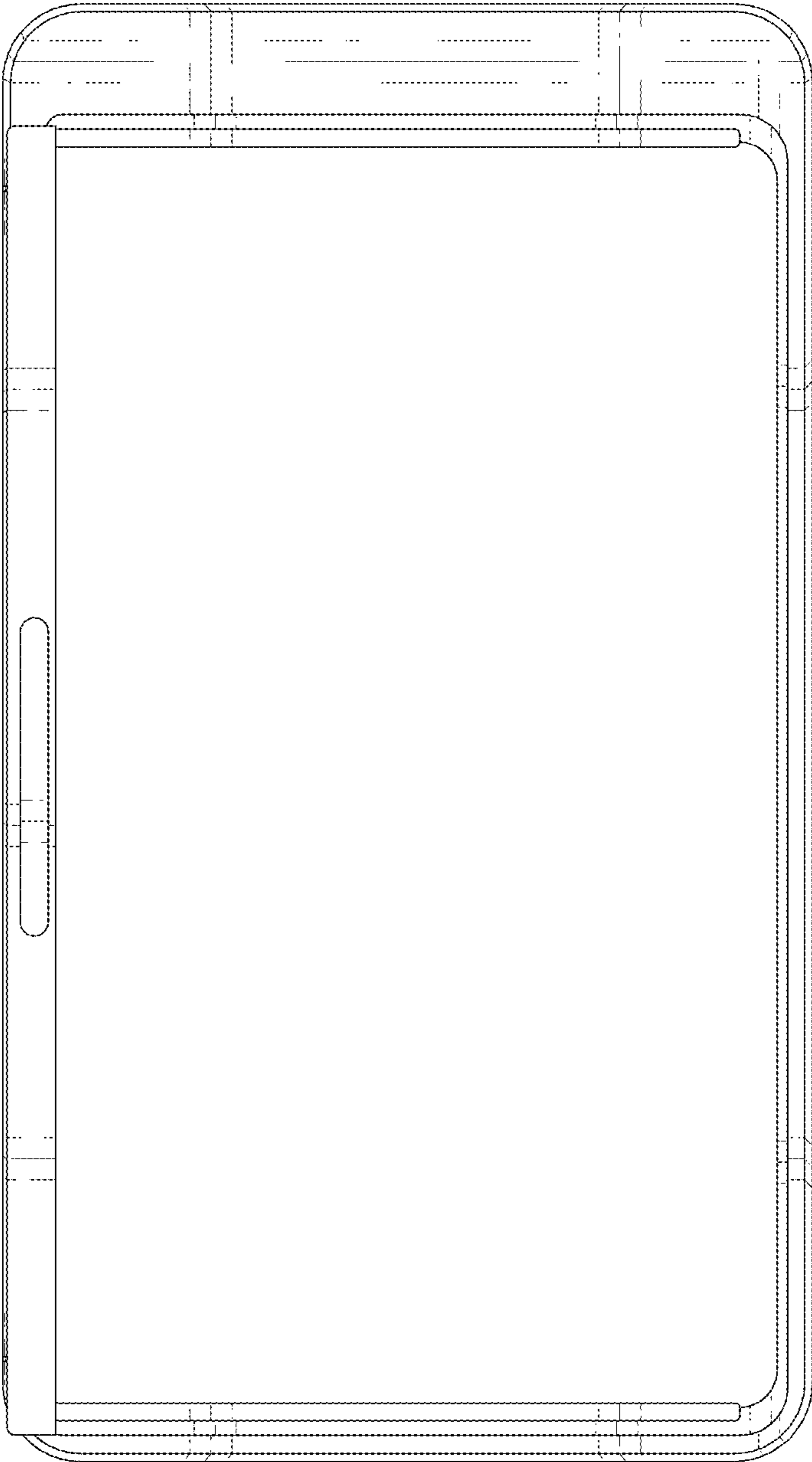


FIG. 10

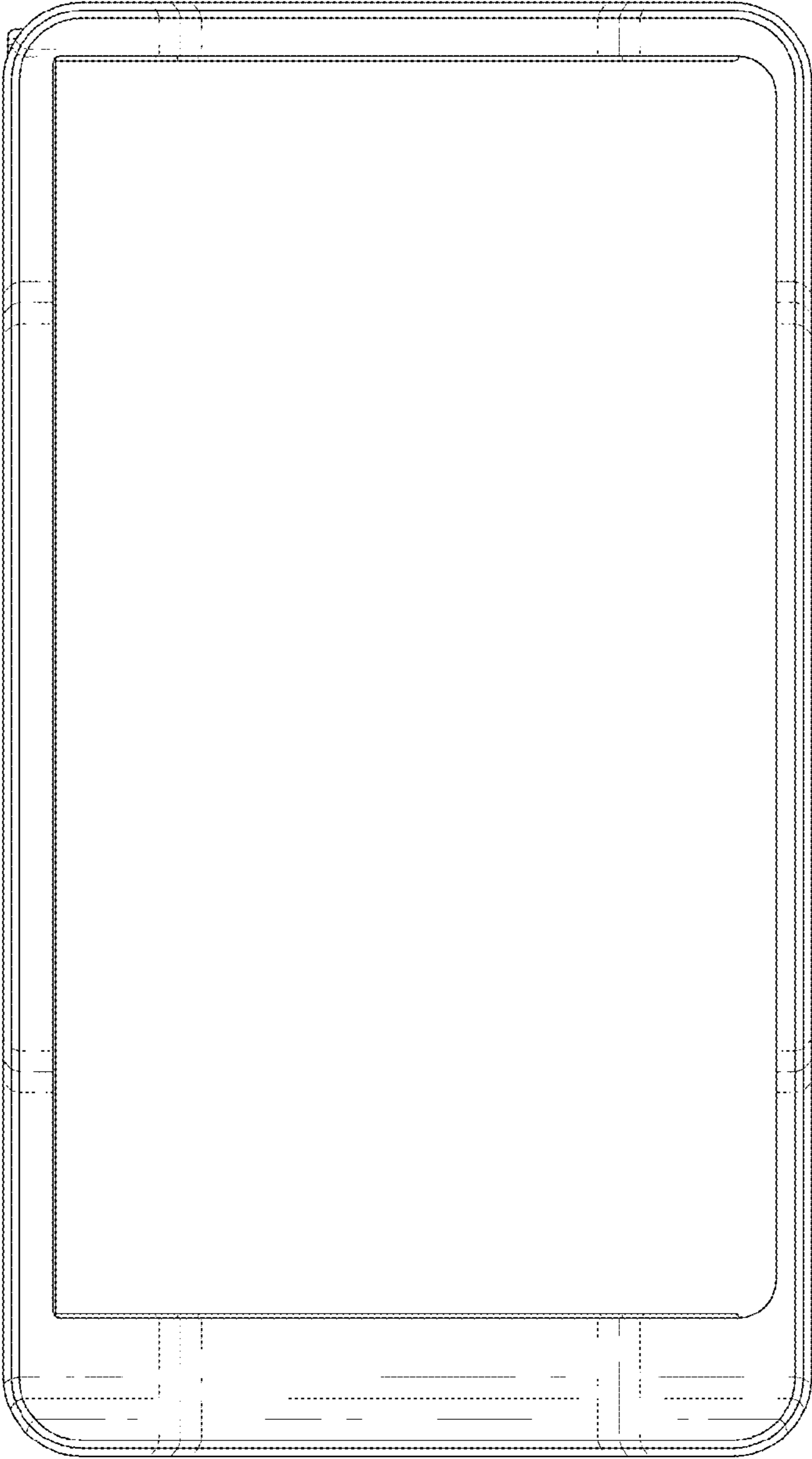


FIG. 11

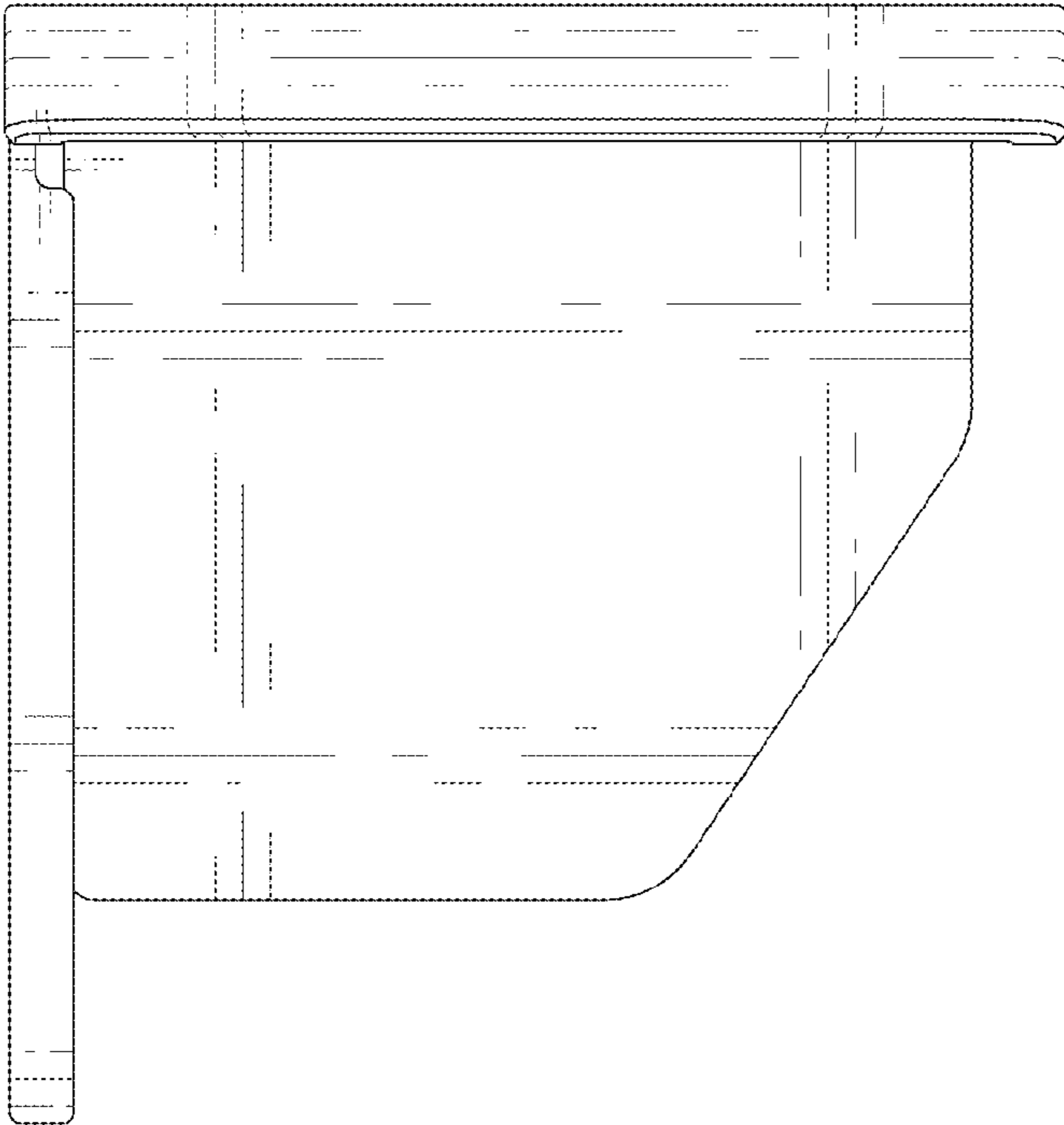


FIG. 12

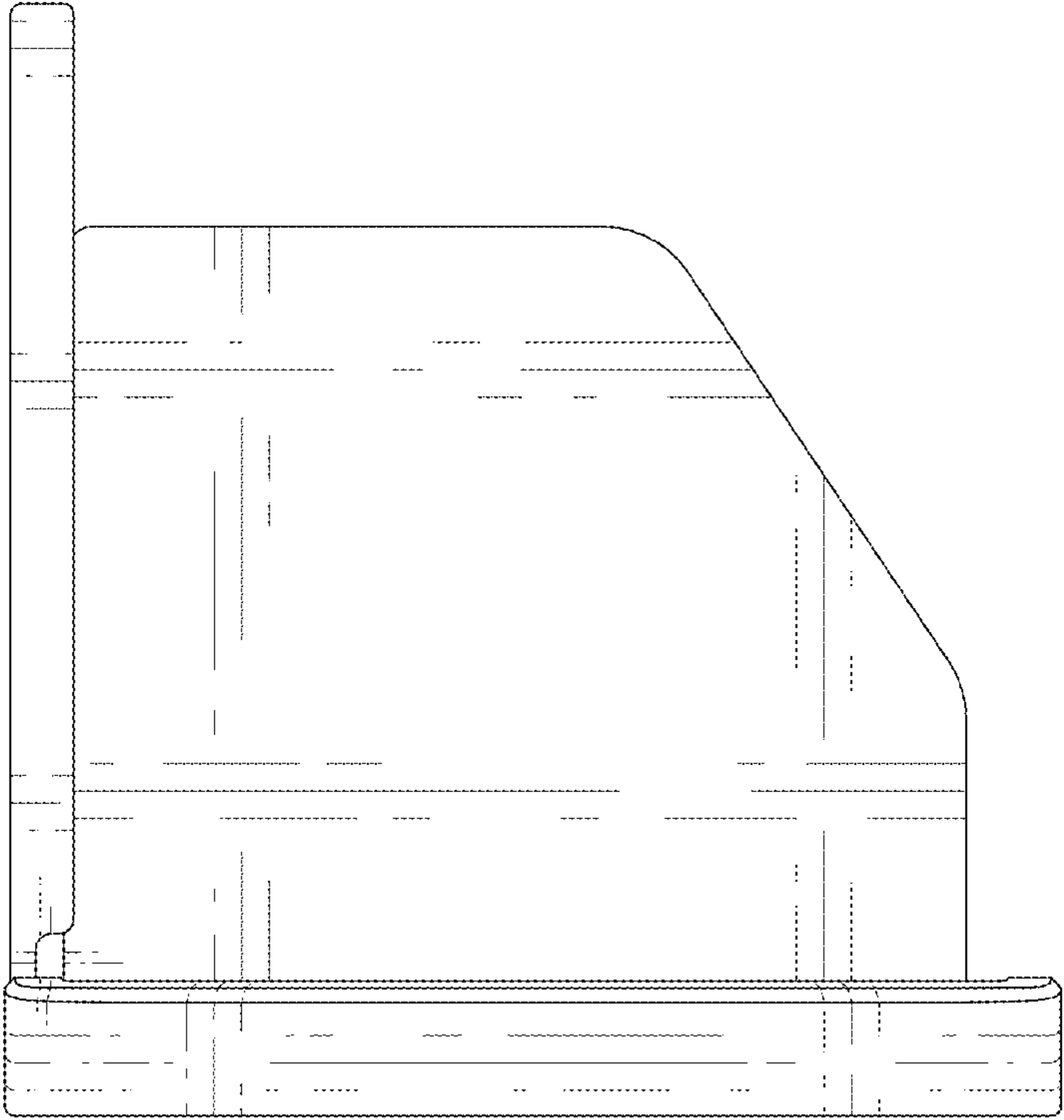


FIG. 13

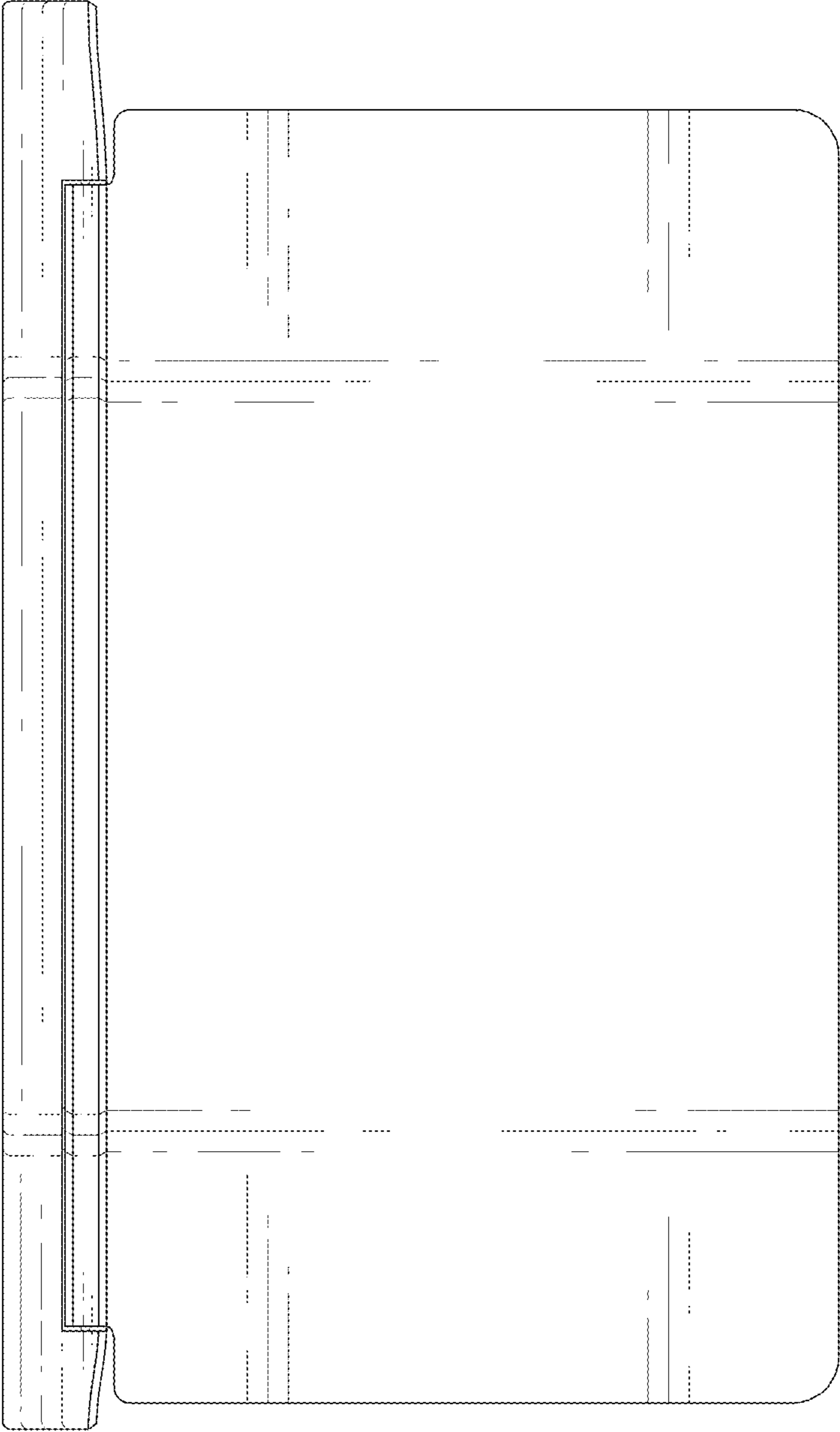


FIG. 14

