



US00D704243S

(12) **United States Design Patent**  
**Ikegame**

(10) **Patent No.:** **US D704,243 S**

(45) **Date of Patent:** **\*\* May 6, 2014**

(54) **CAMERA COVER**

(71) Applicant: **FUJIFILM Corporation**, Tokyo (JP)

(72) Inventor: **Haruke Ikegame**, Minato-ku (JP)

(73) Assignee: **FUJIFILM Corporation**, Tokyo (JP)

(\*\*) Term: **14 Years**

(21) Appl. No.: **29/434,123**

(22) Filed: **Oct. 10, 2012**

(30) **Foreign Application Priority Data**

Apr. 12, 2012 (JP) ..... 2012-008626

(51) **LOC (10) Cl.** ..... **16-05**

(52) **U.S. Cl.**  
USPC ..... **D16/237**

(58) **Field of Classification Search**  
USPC ..... D16/237, 239, 240; D14/203.4, 250,  
D14/345, 440, 449; 362/3, 16-18, 182, 552,  
362/612; D3/219, 267-278; D8/73, 107,  
D8/310, 352, 373, 382; D9/435, 445, 453,  
D9/454, 78.1  
See application file for complete search history.

(56) **References Cited**

**U.S. PATENT DOCUMENTS**

D369,465 S \* 5/1996 Scheid et al. .... D3/218  
D424,962 S \* 5/2000 Dawn ..... D10/121  
D536,016 S \* 1/2007 Dayan ..... D16/242

D536,360 S \* 2/2007 Dayan ..... D16/242  
D544,899 S \* 6/2007 Li et al. .... D16/242  
D559,102 S \* 1/2008 Houghton et al. .... D9/434  
D610,601 S \* 2/2010 Melder ..... D16/242  
D611,142 S \* 3/2010 Melder ..... D24/137  
D687,026 S \* 7/2013 Ruvolo ..... D14/250

\* cited by examiner

*Primary Examiner* — Susan Bennett Hattan

*Assistant Examiner* — Vy Koenig

(74) *Attorney, Agent, or Firm* — Sughrue Mion, PLLC

(57) **CLAIM**

The ornamental design for a camera cover, as shown and described.

**DESCRIPTION**

FIG. 1 is a top, front and side perspective view of a camera cover showing my new design;  
FIG. 2 is a top, rear and side perspective view thereof;  
FIG. 3 is a front elevational view thereof;  
FIG. 4 is a rear elevational view thereof;  
FIG. 5 is a top plan view thereof;  
FIG. 6 is a bottom plan view thereof;  
FIG. 7 is a right side elevational view thereof;  
FIG. 8 is a left side elevational view thereof;  
FIG. 9 is a top, front and side perspective view thereof in a state of being attached to an instant camera; and,  
FIG. 10 is a top, rear and side perspective view thereof in a state of being attached to an instant camera.  
The broken lines shown in FIGS. 9 and 10 represent environmental subject matter and form no part of the claimed design.

**1 Claim, 9 Drawing Sheets**

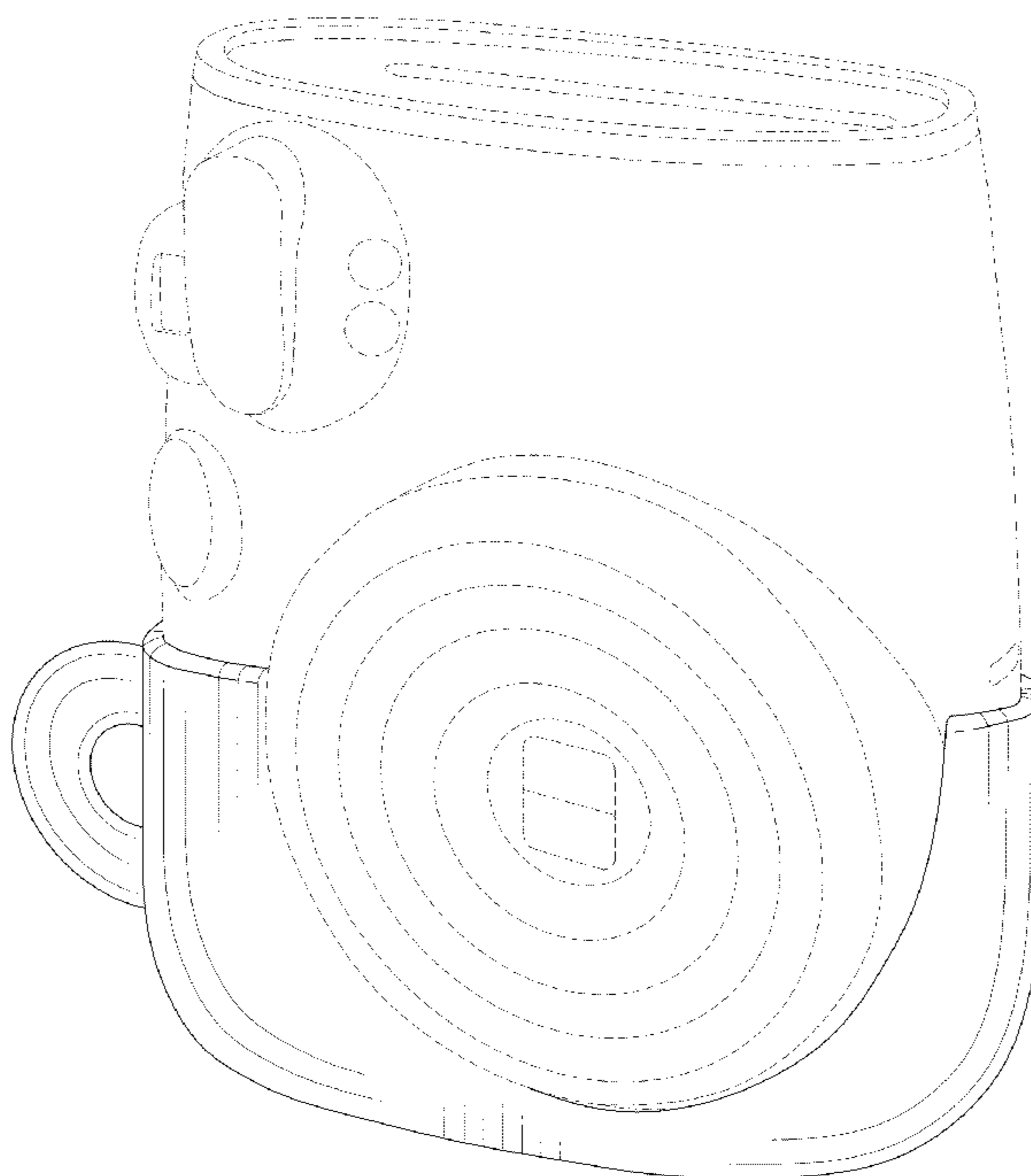


FIG.1

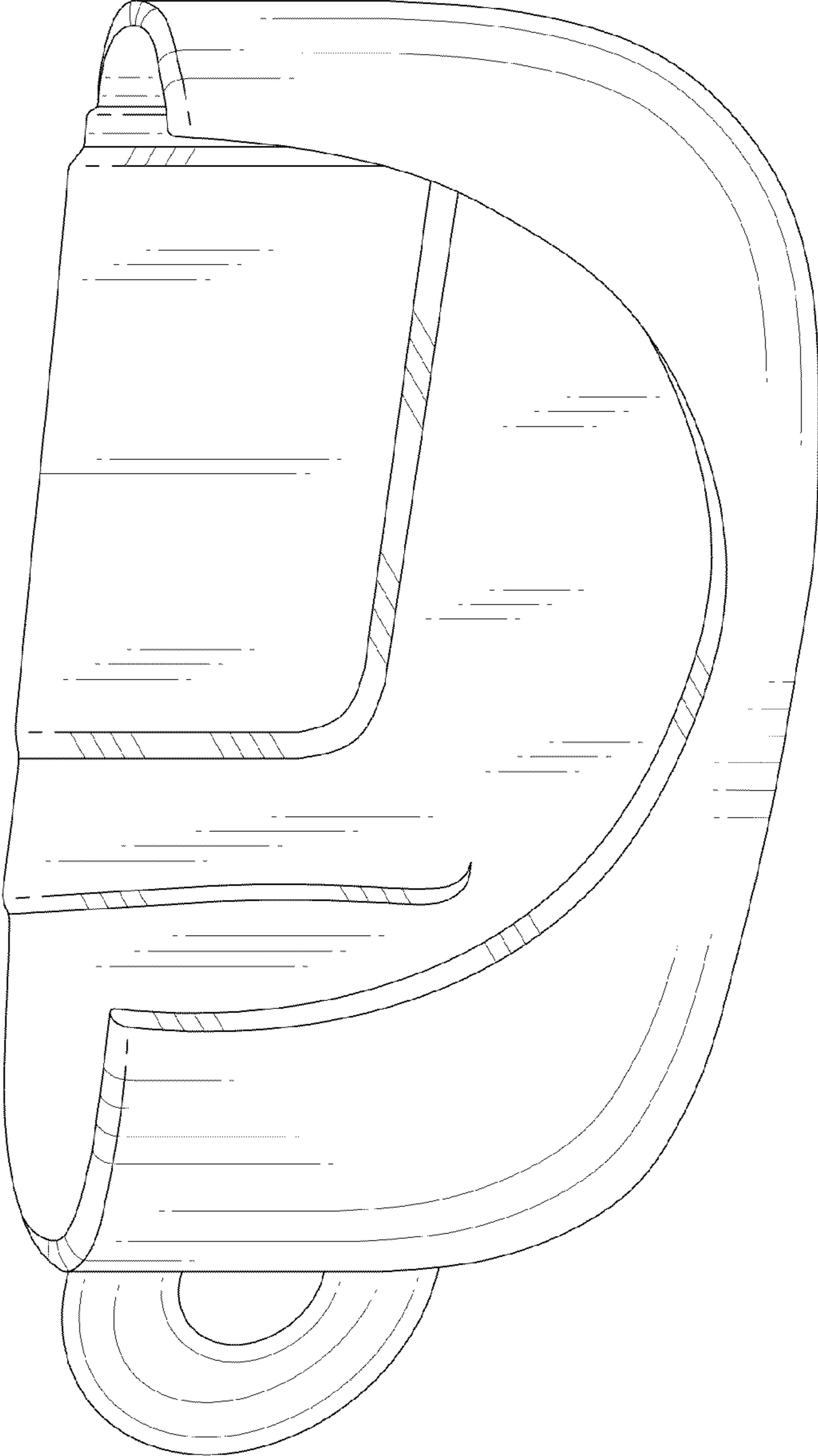


FIG.2



FIG.3

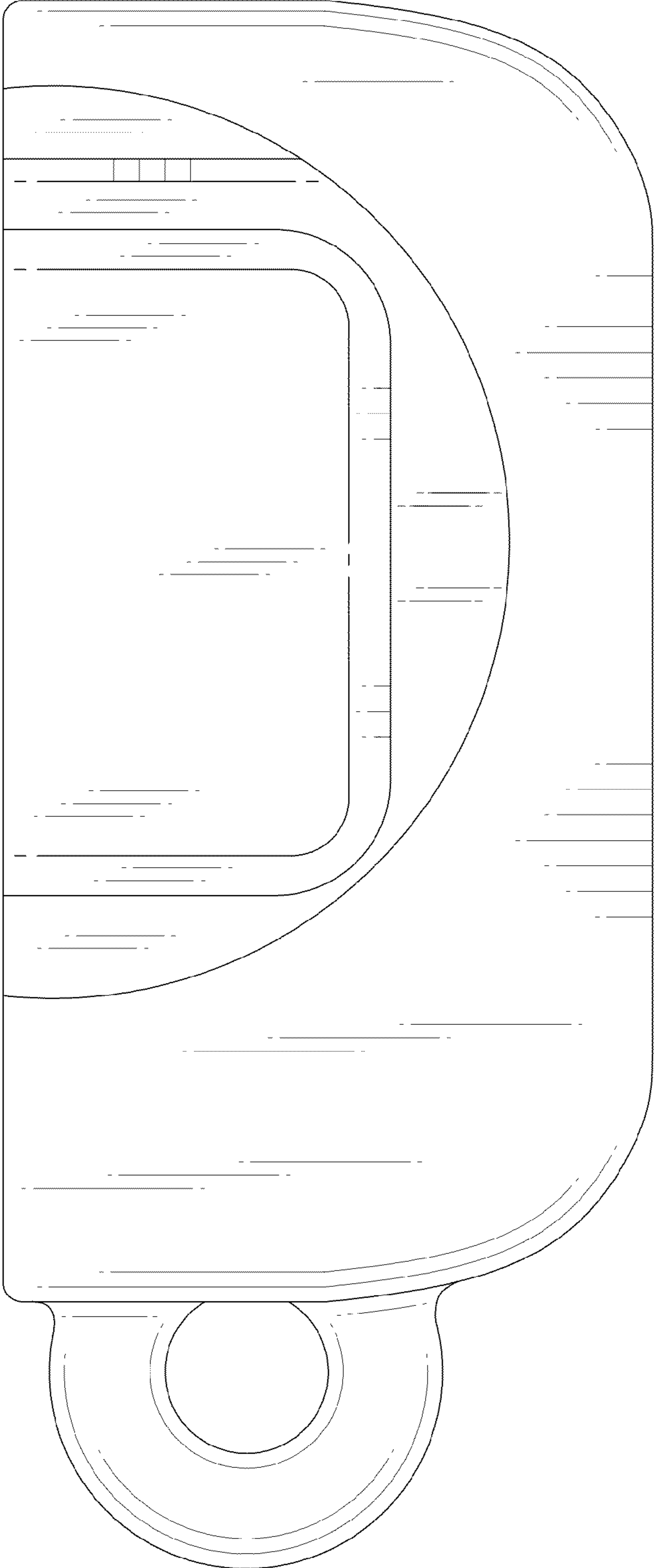


FIG.4

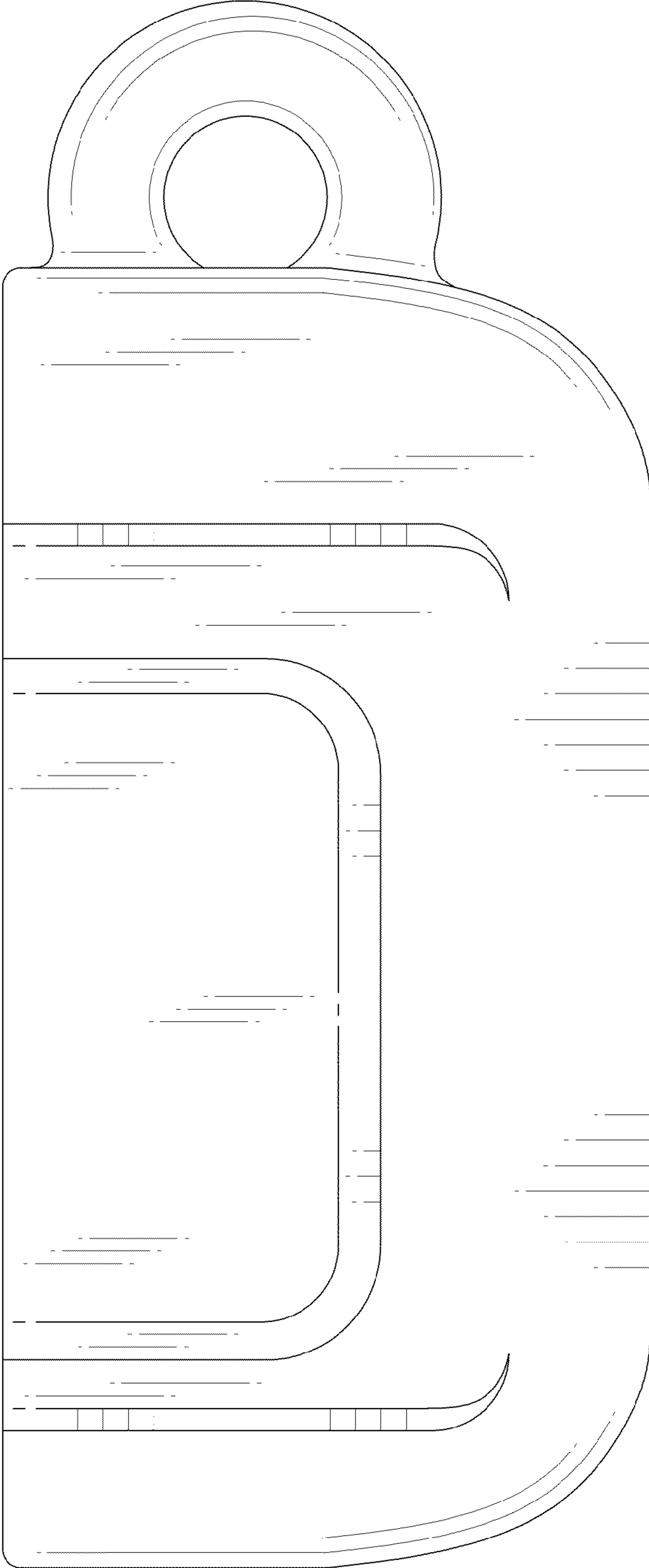


FIG. 5

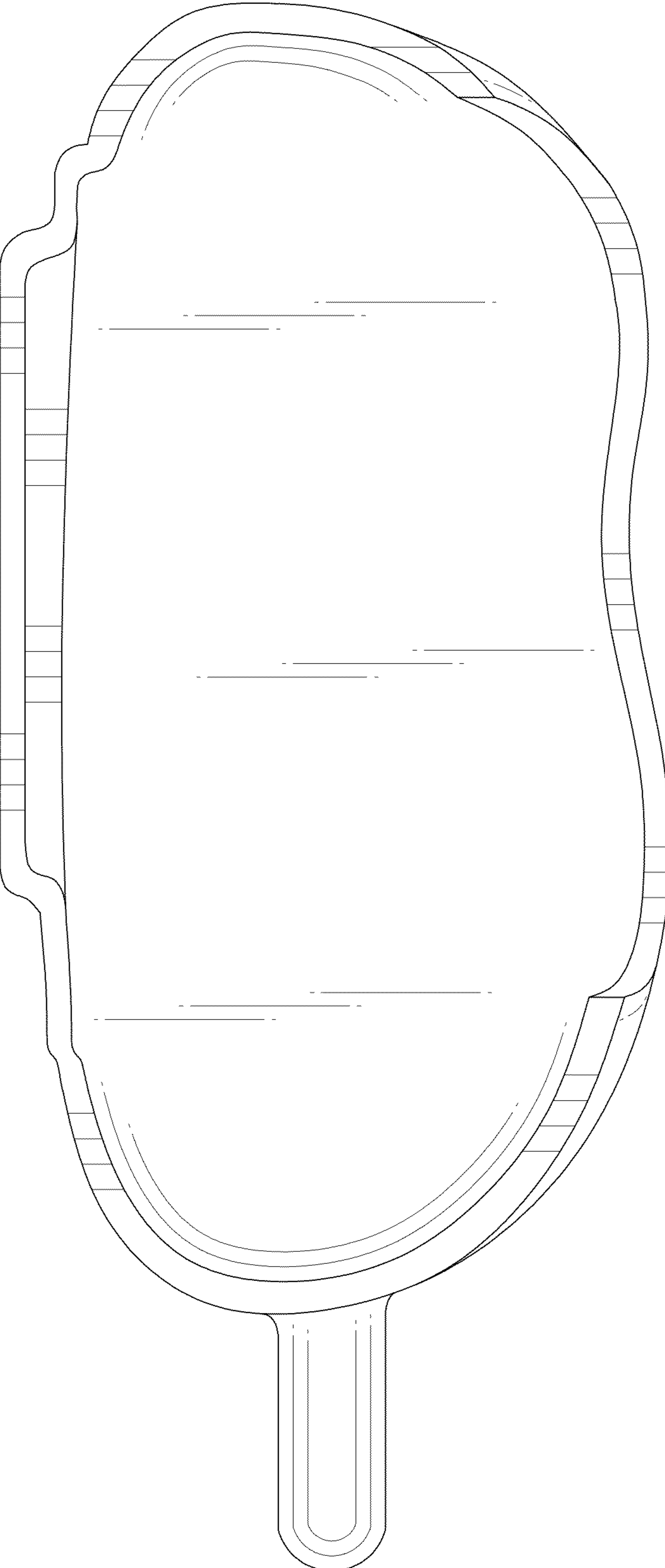


FIG.6

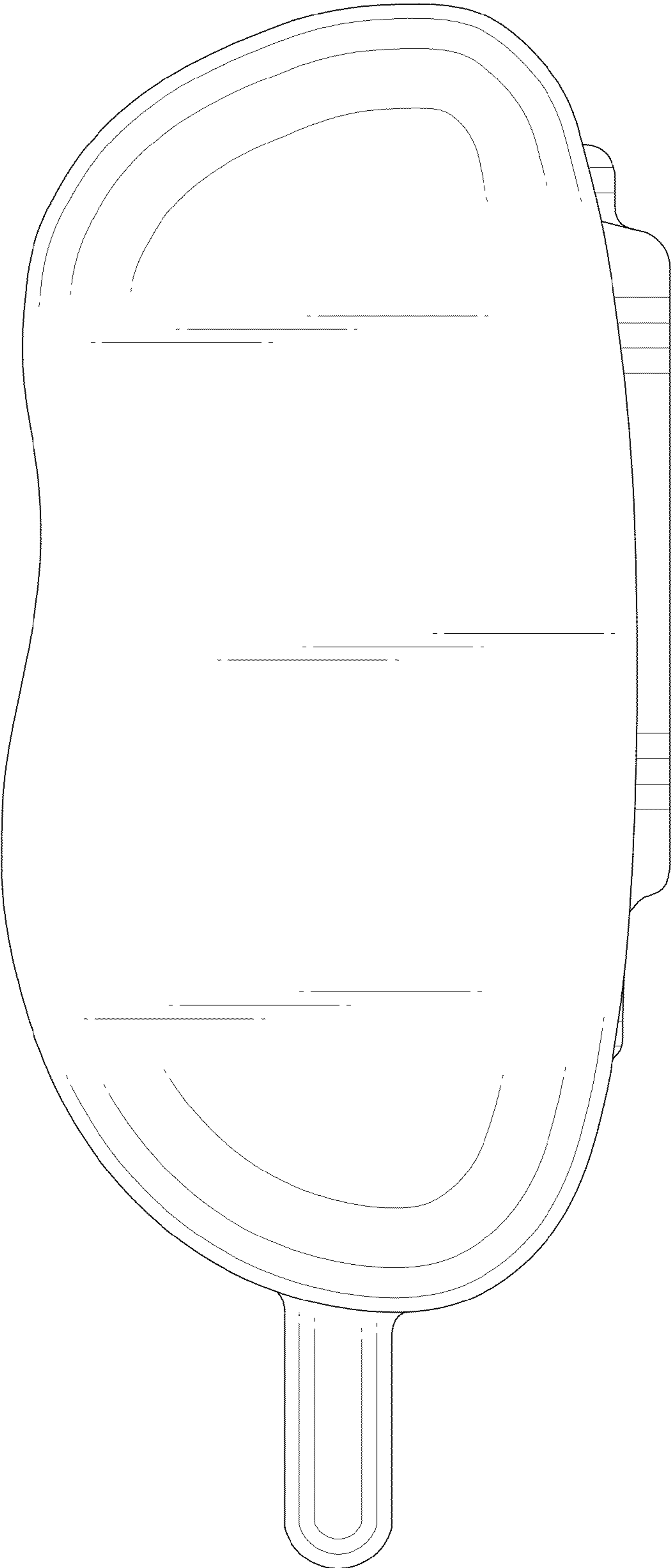


FIG.7

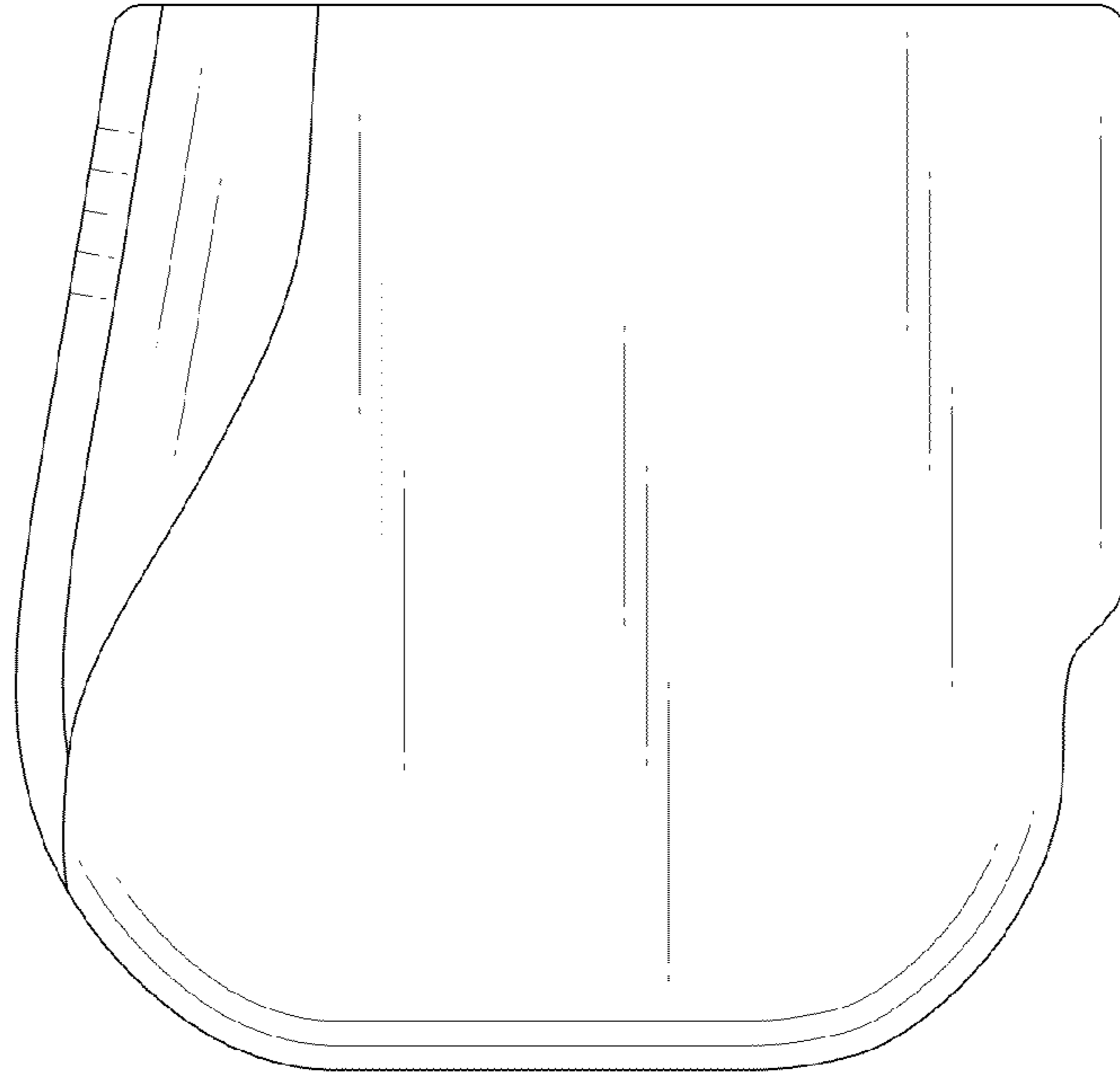


FIG.8

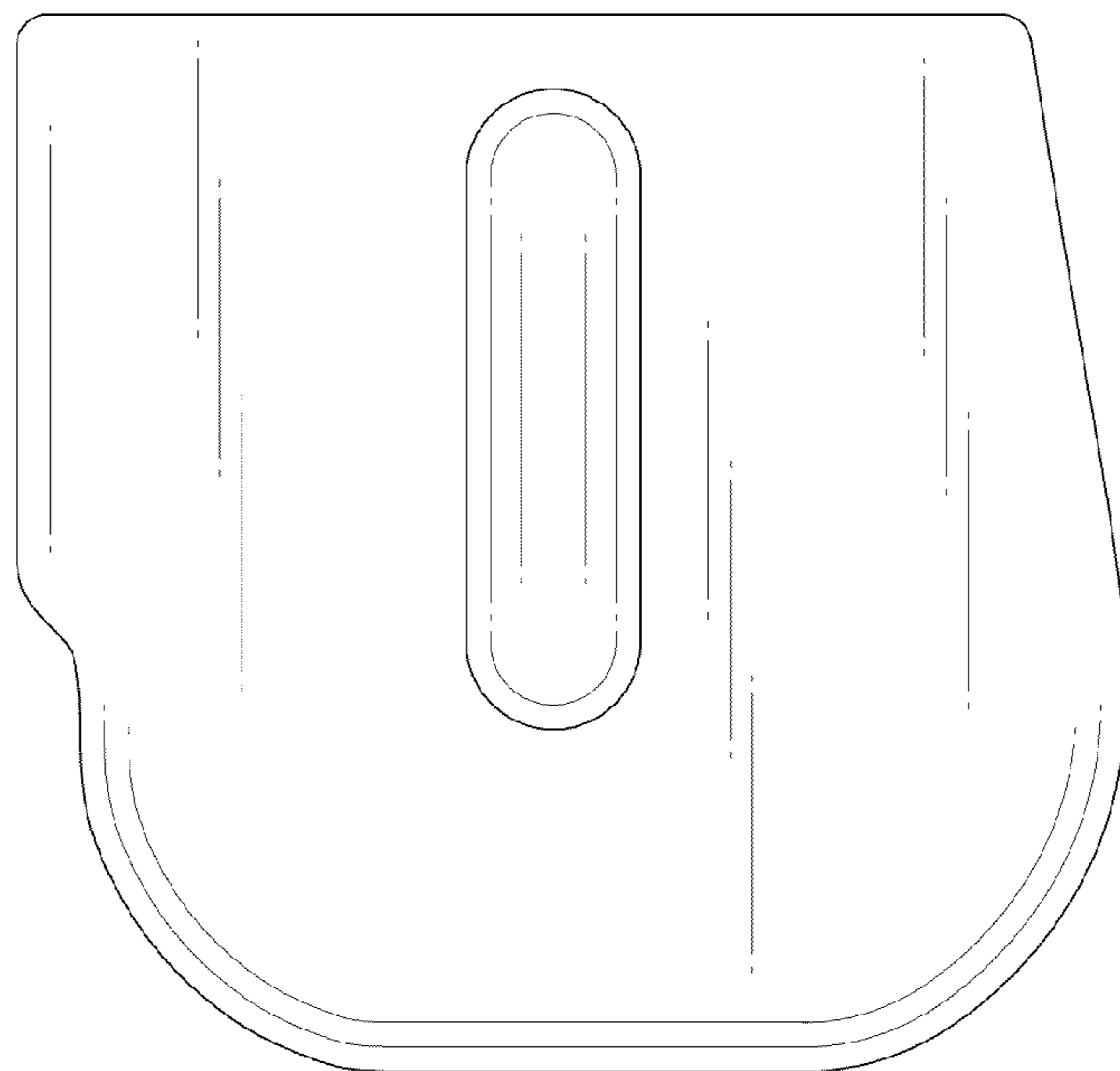




FIG.9

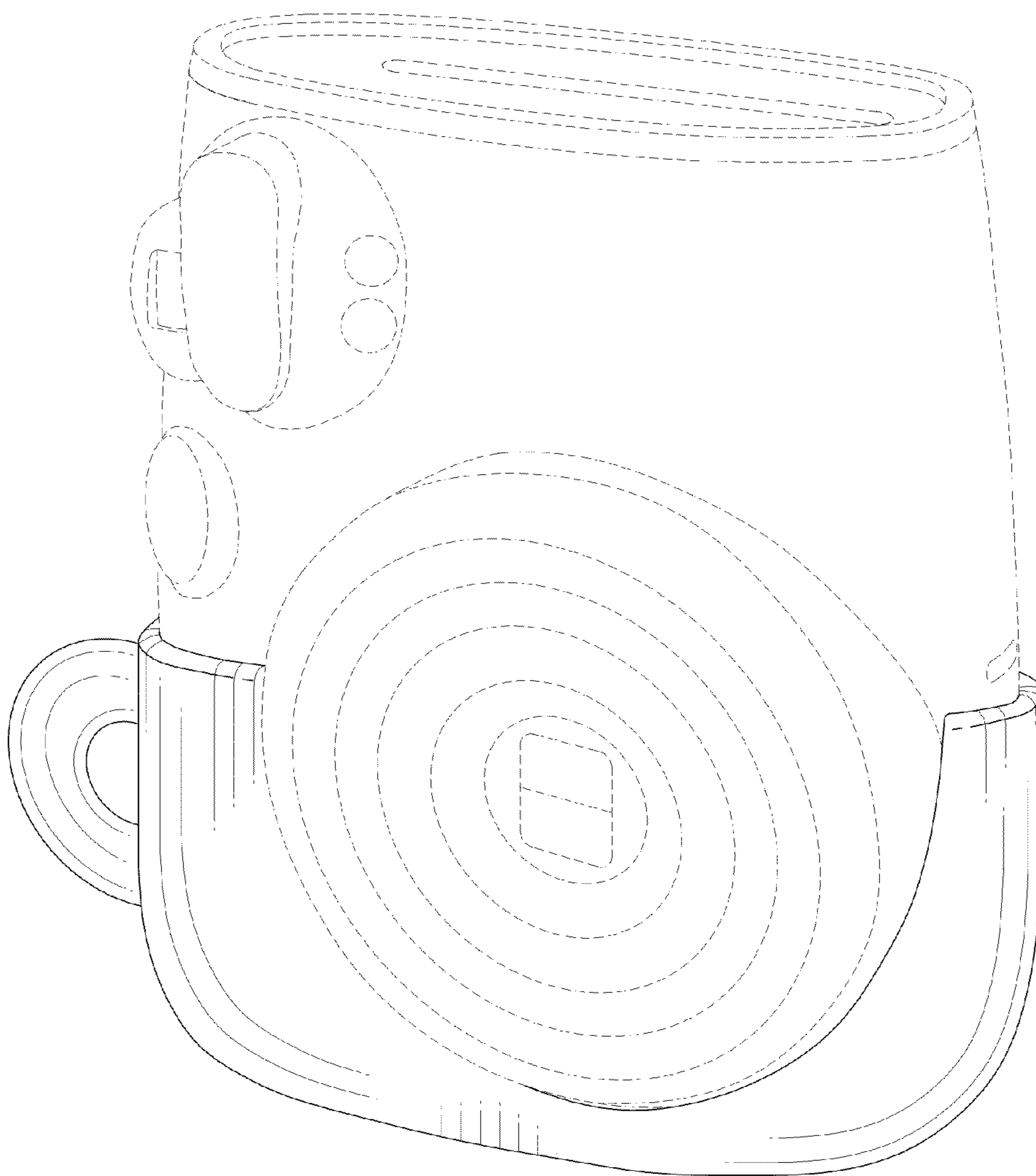


FIG. 10

