



US00D704242S

(12) **United States Design Patent**
Seo et al.

(10) **Patent No.:** **US D704,242 S**

(45) **Date of Patent:** **** May 6, 2014**

(54) **STAND FOR PROJECTOR**

(71) Applicant: **LG Electronics Inc.**, Seoul (KR)

(72) Inventors: **Minji Seo**, Gyeonggi-do (KR); **Junki Kim**, Seoul (KR); **Youngkyoung Kim**, Seoul (KR); **Yoonkyeong Lee**, Seoul (KR)

(73) Assignee: **LG Electronics Inc.**, Seoul (KR)

(**) Term: **14 Years**

(21) Appl. No.: **29/454,231**

(22) Filed: **May 8, 2013**

(30) **Foreign Application Priority Data**

Nov. 8, 2012 (KR) 30-2012-0053423

(51) **LOC (10) Cl.** **16-02**

(52) **U.S. Cl.**
USPC **D16/235**

(58) **Field of Classification Search**
USPC D16/235, 219, 221, 225, 237, 242;
D3/247-249, 304; D7/500, 550.1,
D7/551.1; D9/432; D13/107-108;
D14/138 R, 138 AA, 250-253; D19/75,
D19/86, 92; 248/309.1, 311.2, 176.1, 917,
248/346.01, 346.03, 346.06; 320/113, 115;
348/373, 375; 312/126; 353/115, 119,
353/122

See application file for complete search history.

(56) **References Cited**

U.S. PATENT DOCUMENTS

D212,309	S	*	9/1968	Ralke	D16/235
D303,993	S	*	10/1989	Szablak et al.	D19/75
D327,504	S	*	6/1992	Breen et al.	D19/92
D378,951	S	*	4/1997	Youngblood	D3/304
D483,071	S	*	12/2003	Chen	D19/92
D661,646	S	*	6/2012	Son	D13/108
8,262,053	B1	*	9/2012	Zhao	248/292.12
D687,877	S	*	8/2013	Chang	D16/235
D690,514	S	*	10/2013	Shamp	D3/304

* cited by examiner

Primary Examiner — Wan Laymon

(74) *Attorney, Agent, or Firm* — Morgan, Lewis & Bockius LLP

(57) **CLAIM**

The ornamental design for a stand for projector, as shown and described.

DESCRIPTION

FIG. 1 is a perspective view of a stand for projector showing our new design;
FIG. 2 is a front view thereof;
FIG. 3 is a rear view thereof;
FIG. 4 is a left side view thereof where the right side view is a mirror image;
FIG. 5 is a top plan view thereof;
FIG. 6 is a bottom plan view thereof;
FIG. 7 is a reference perspective view thereof showing the state of using; and,
FIG. 8 is another reference perspective view thereof showing the state of using.
The broken lines are for illustrative purposes only and form no part of the claimed design.

1 Claim, 6 Drawing Sheets

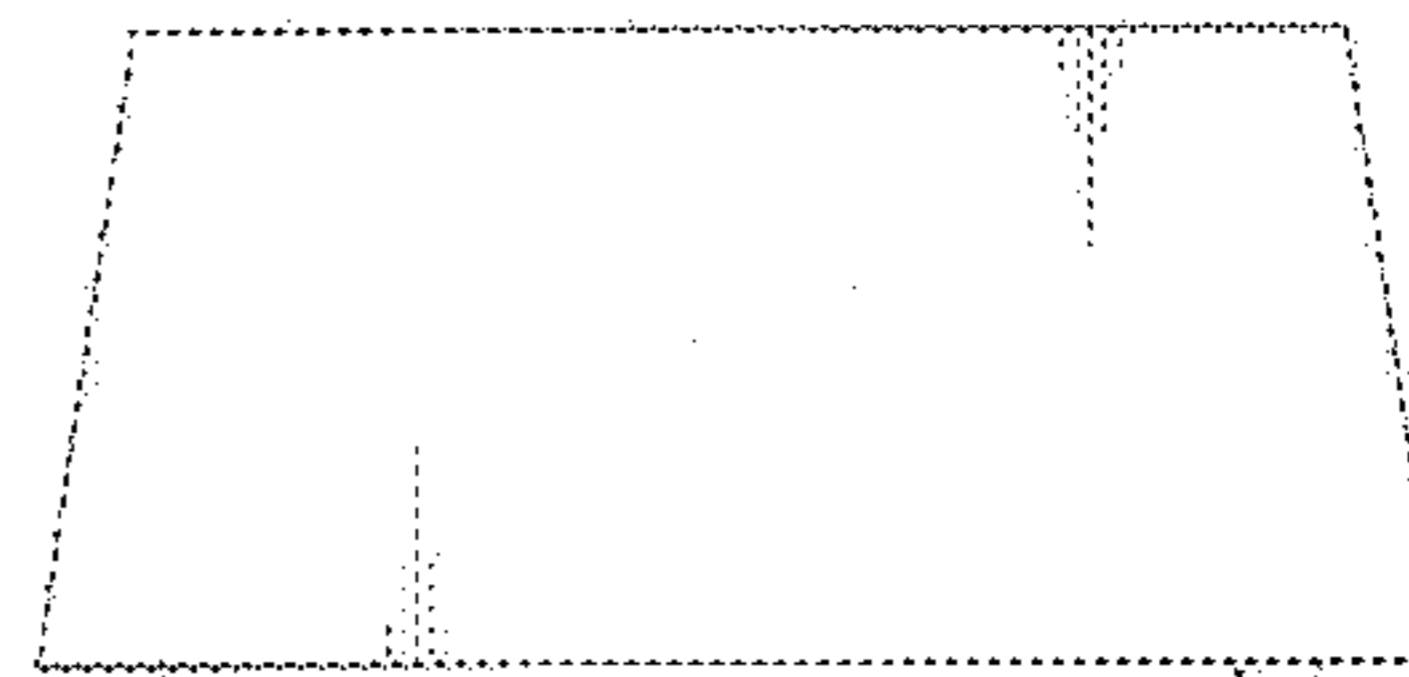
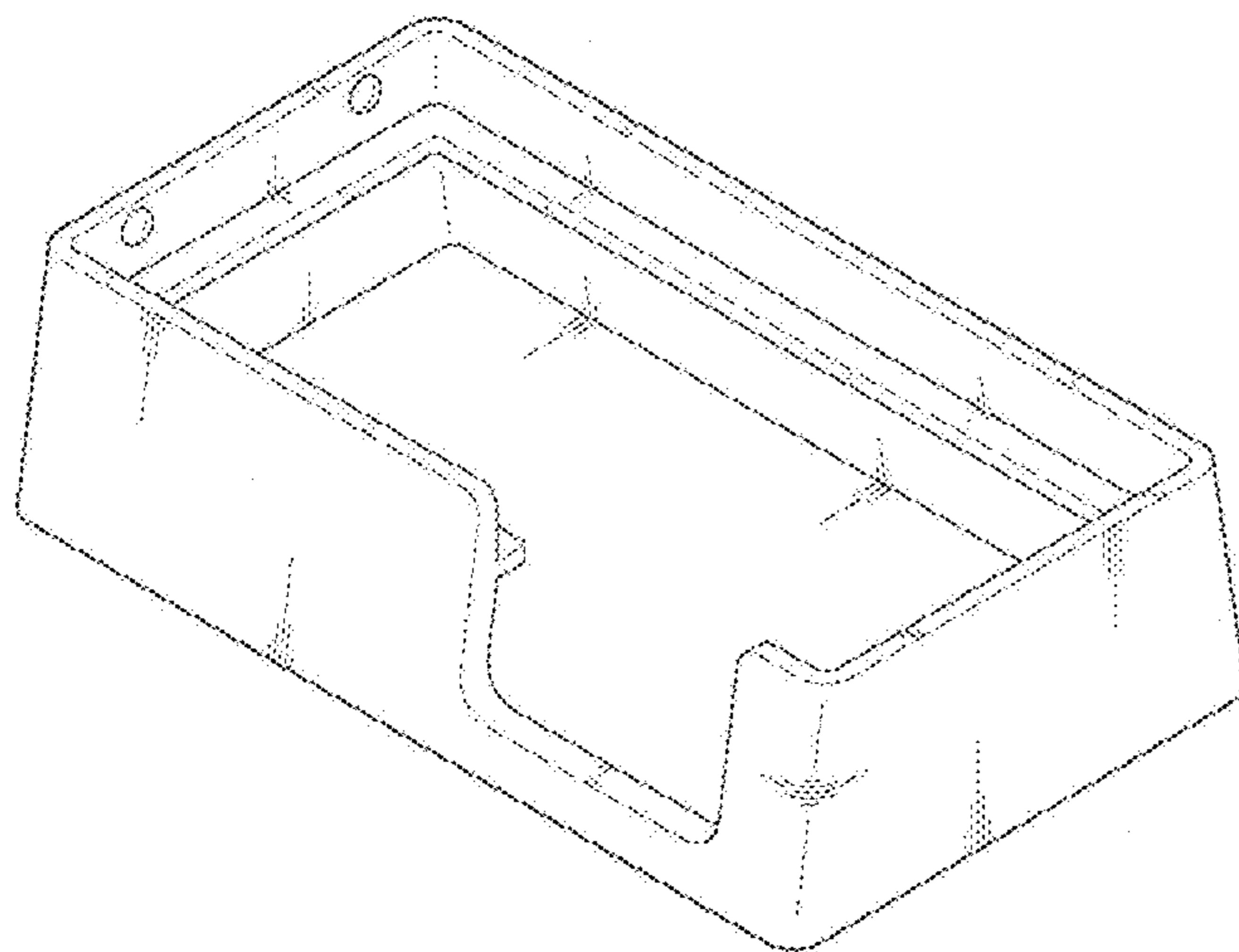


FIG. 1

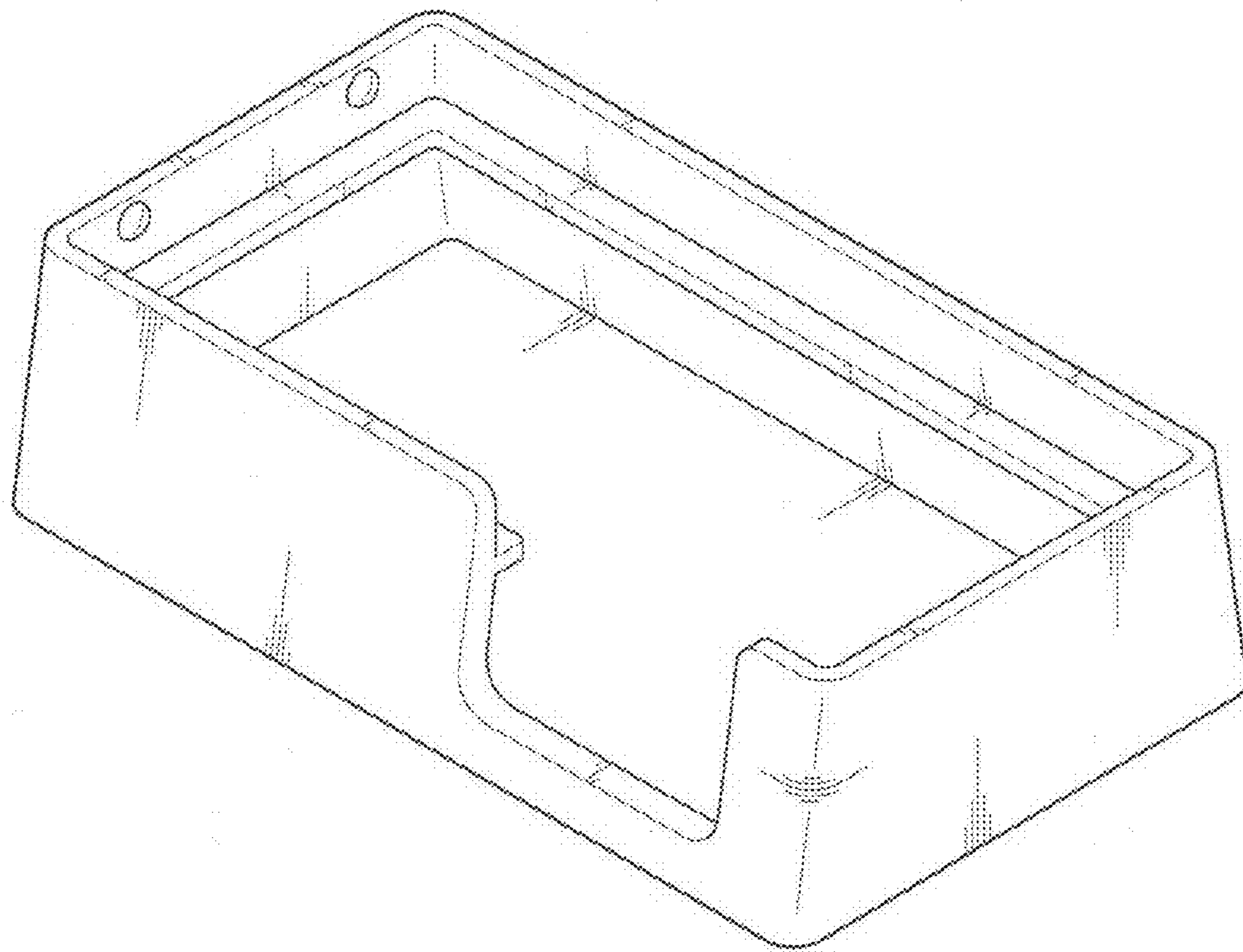


FIG. 2

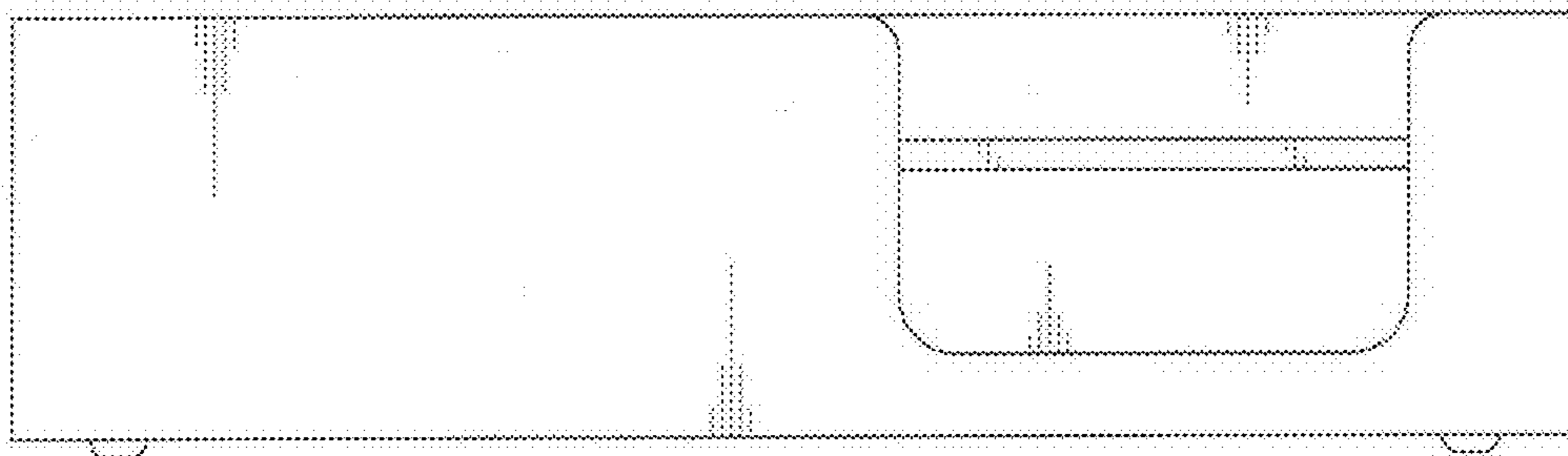


FIG. 3

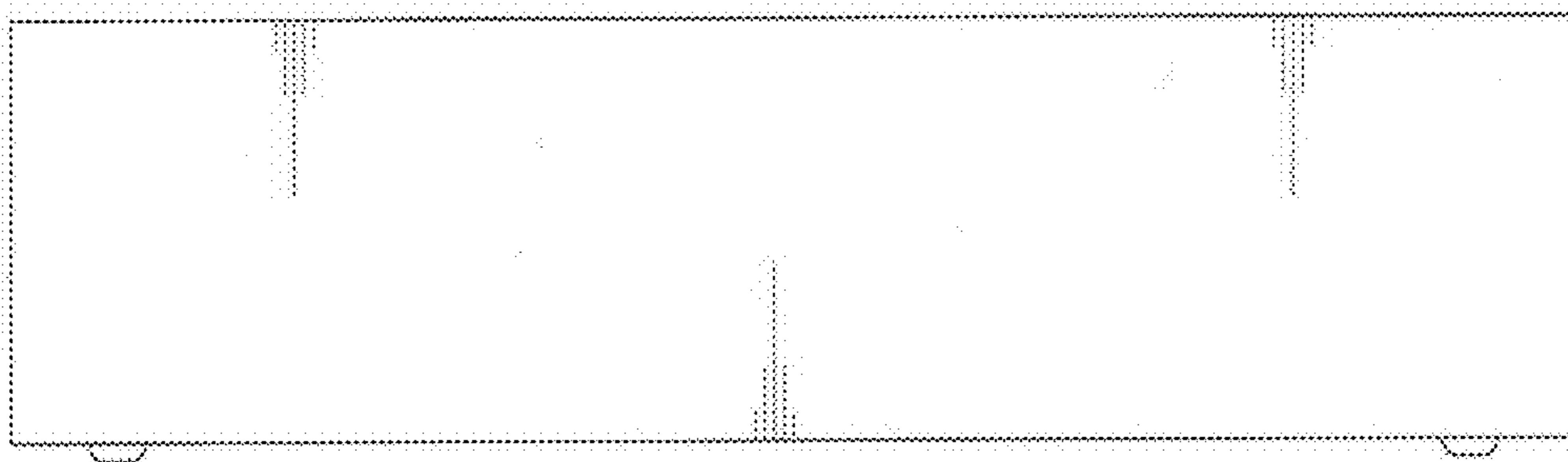


FIG. 4

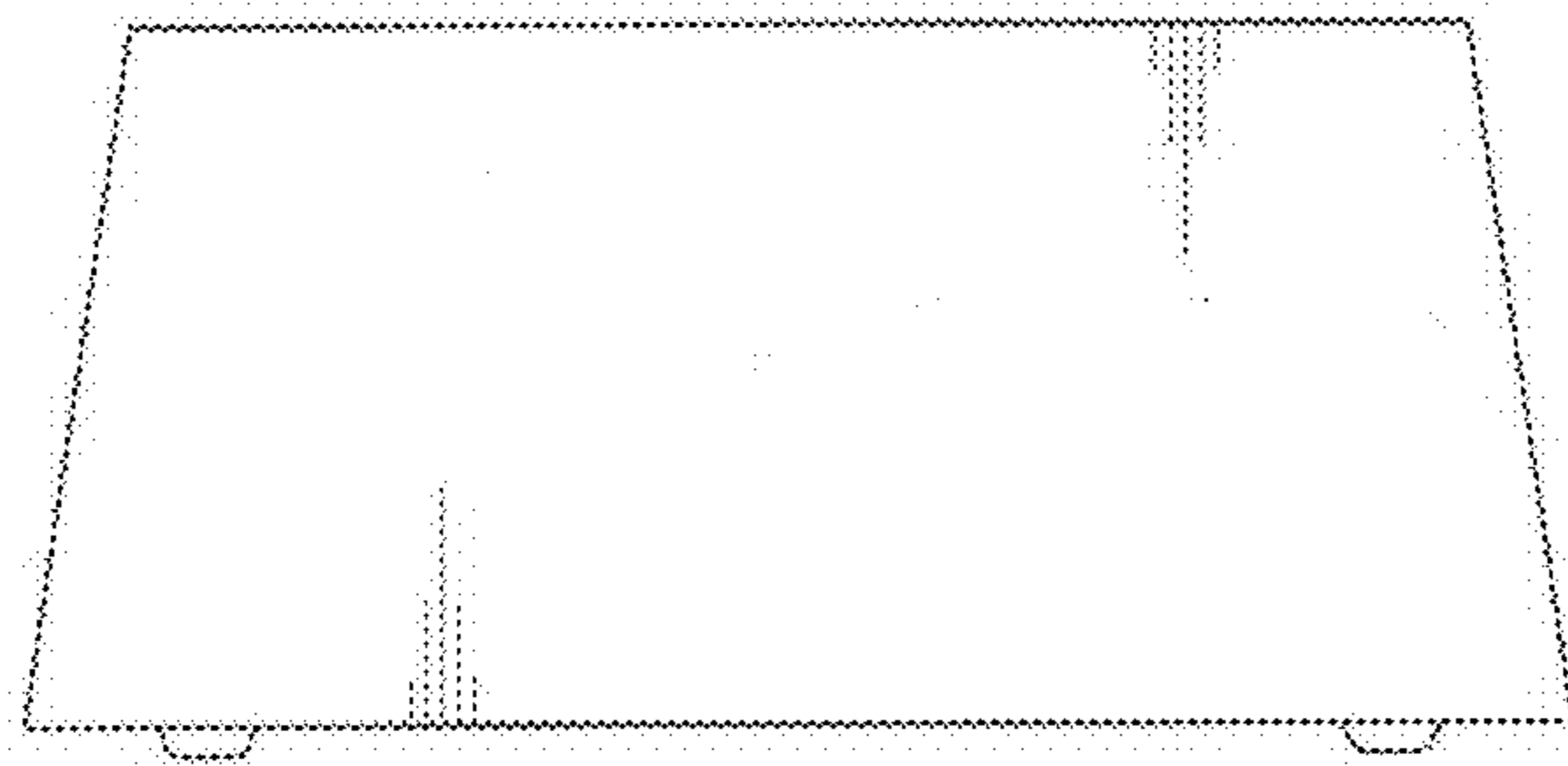


FIG. 5

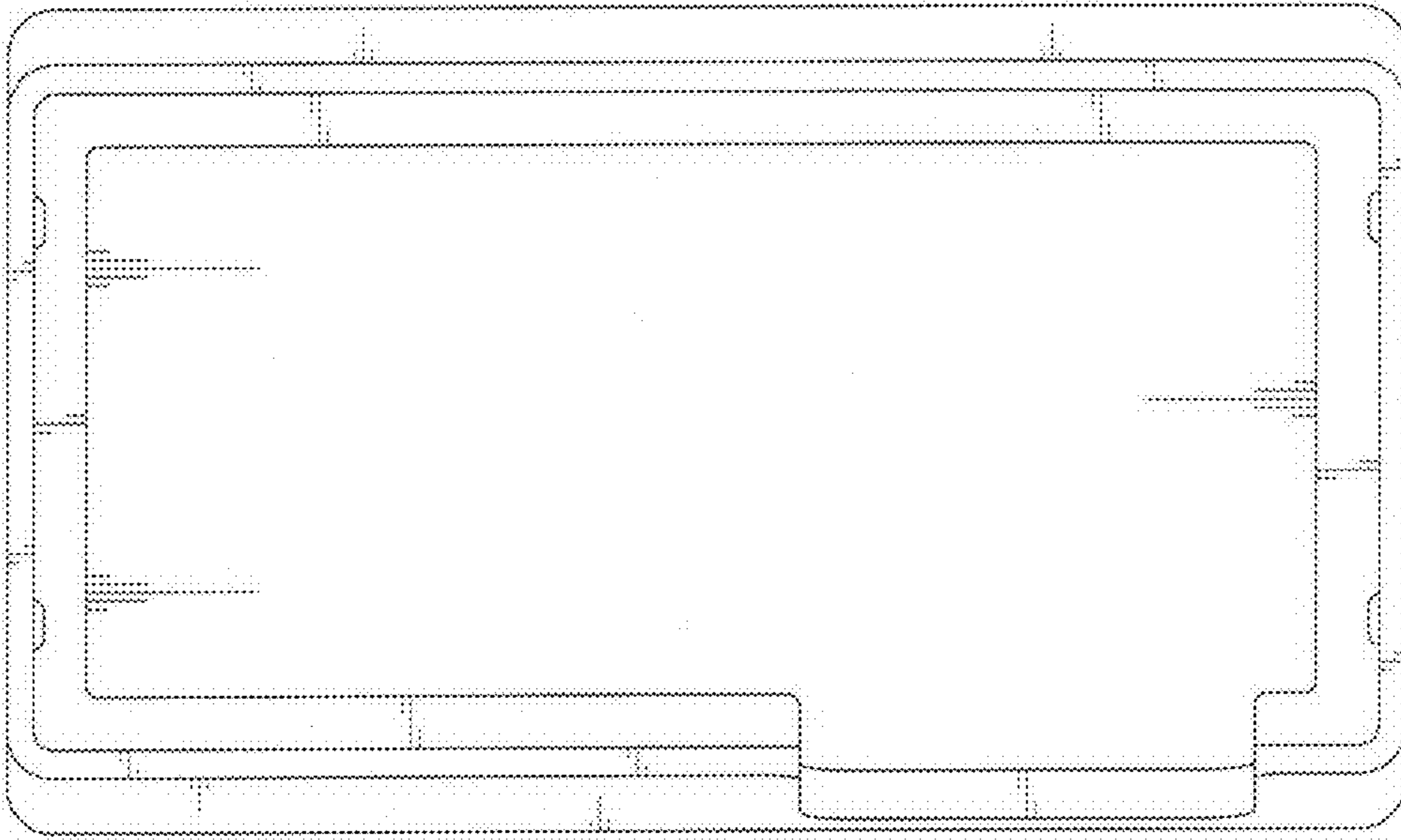


FIG. 6

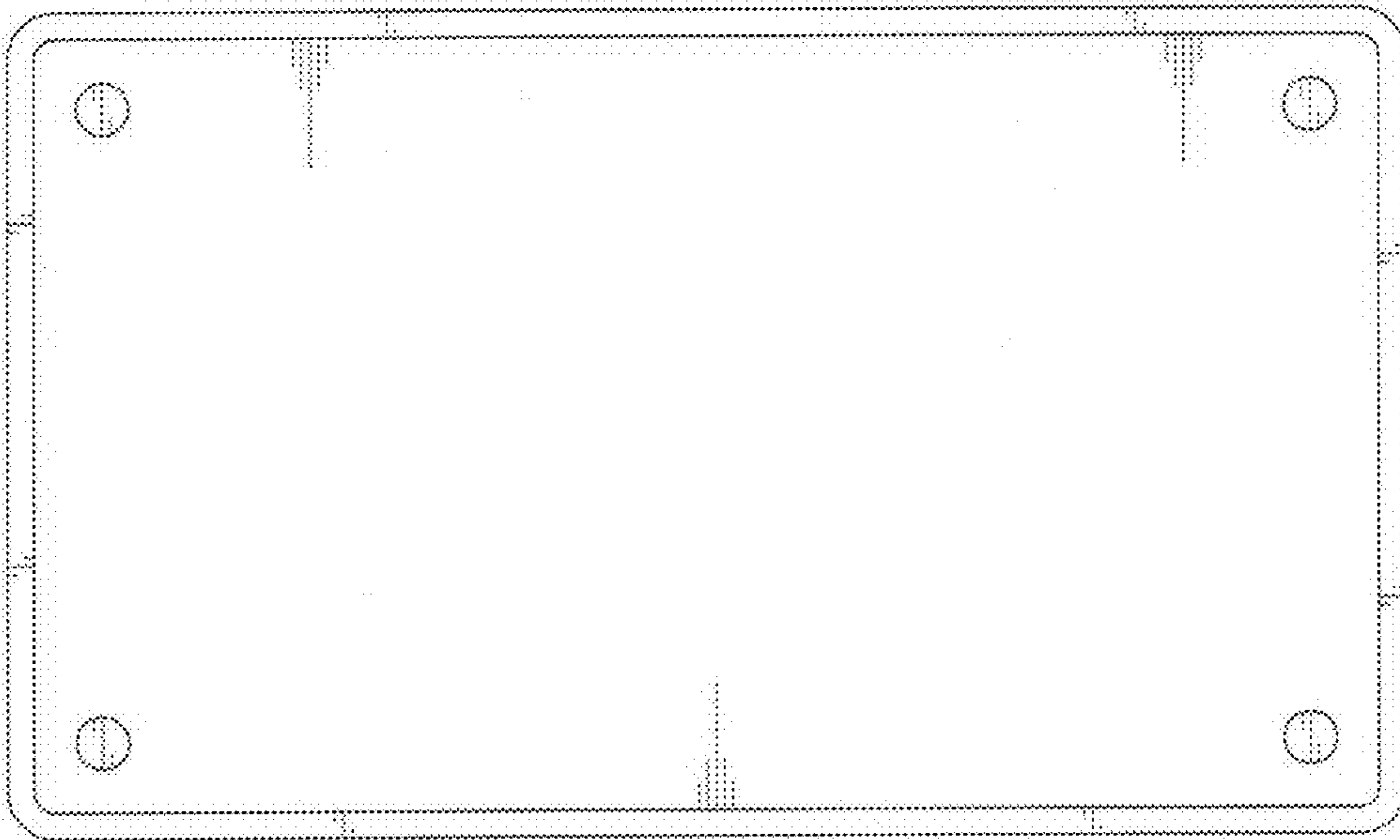


FIG. 7

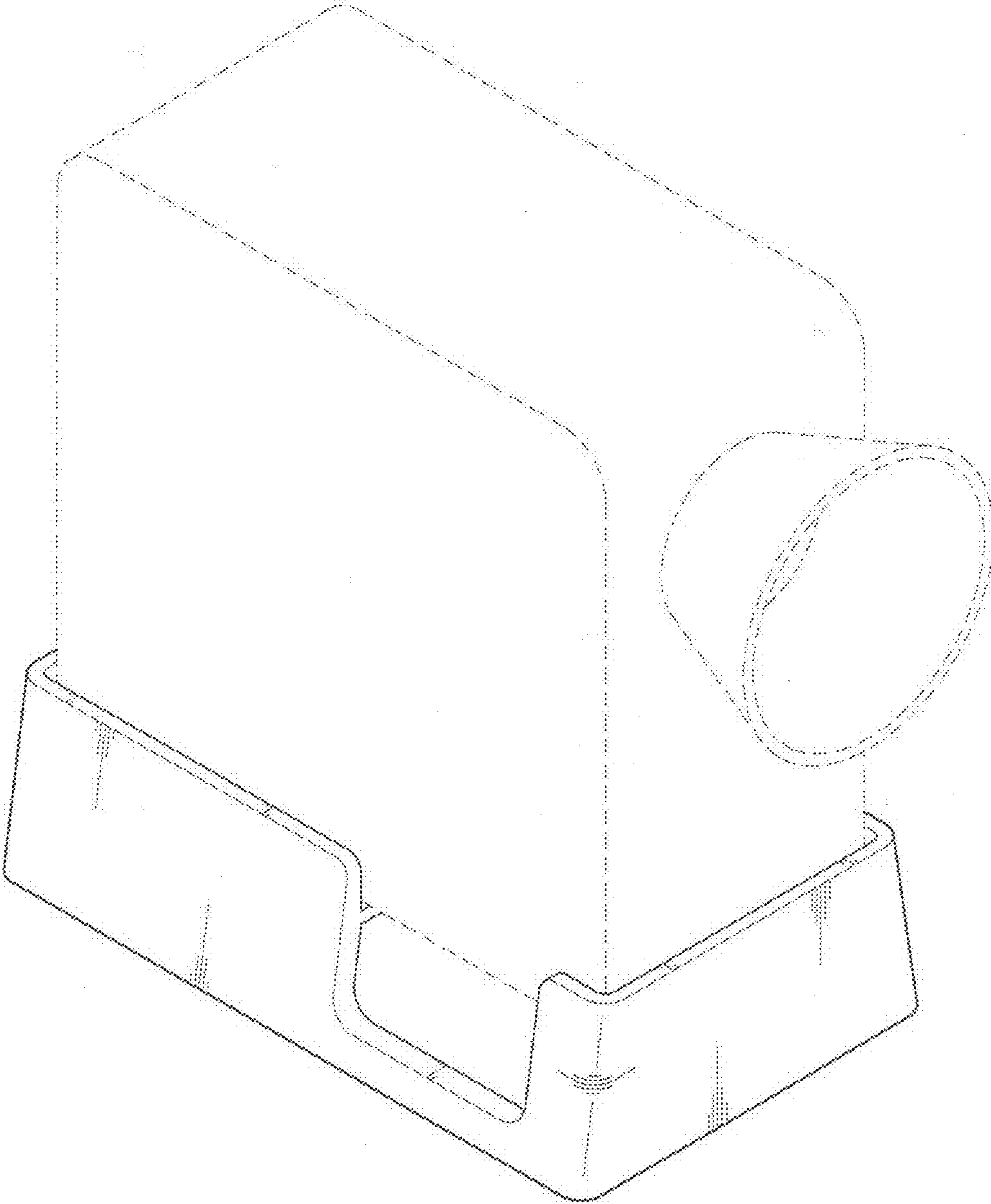


FIG. 8

