



US00D704241S

(12) **United States Design Patent**  
**Muraki et al.**

(10) **Patent No.:** **US D704,241 S**  
(45) **Date of Patent:** **\*\* May 6, 2014**

(54) **DIGITAL CAMERA**

(75) Inventors: **Shinjiro Muraki**, Tokyo (JP); **Tomohiro Hoshi**, Tokyo (JP)

(73) Assignee: **Nikon Corporation**, Tokyo (JP)

(\*\*) Term: **14 Years**

(21) Appl. No.: **29/428,066**

(22) Filed: **Jul. 25, 2012**

(30) **Foreign Application Priority Data**

Jan. 31, 2012 (JP) ..... 2012-001932

(51) **LOC (10) Cl.** ..... **16-05**

(52) **U.S. Cl.**  
USPC ..... **D16/219**

(58) **Field of Classification Search**  
USPC ..... D16/200, 202, 203, 204, 218, 219;  
348/373-376; 358/909.1; 396/535-541  
See application file for complete search history.

(56) **References Cited**

**U.S. PATENT DOCUMENTS**

D496,675 S *	9/2004	Fujii	.....	D16/219
D545,335 S *	6/2007	Kanno	.....	D16/218
D554,677 S	11/2007	Yoshii		
D566,149 S *	4/2008	Sumita	.....	D16/202
7,778,014 B2 *	8/2010	Saiki et al.	.....	361/679.01
D630,662 S *	1/2011	Miyashita	.....	D16/219
7,929,859 B2 *	4/2011	Saiki	.....	396/535

8,014,667 B2 *	9/2011	Saiki	.....	396/535
D649,572 S *	11/2011	Lee	.....	D16/202
D683,780 S *	6/2013	Sakai	.....	D16/202

**FOREIGN PATENT DOCUMENTS**

JP	D01324238	3/2008
JP	D01324239	3/2008

\* cited by examiner

*Primary Examiner* — Adir Aronovich

(74) *Attorney, Agent, or Firm* — Wolf, Greenfield & Sacks, P.C.; Randy J. Pritzker

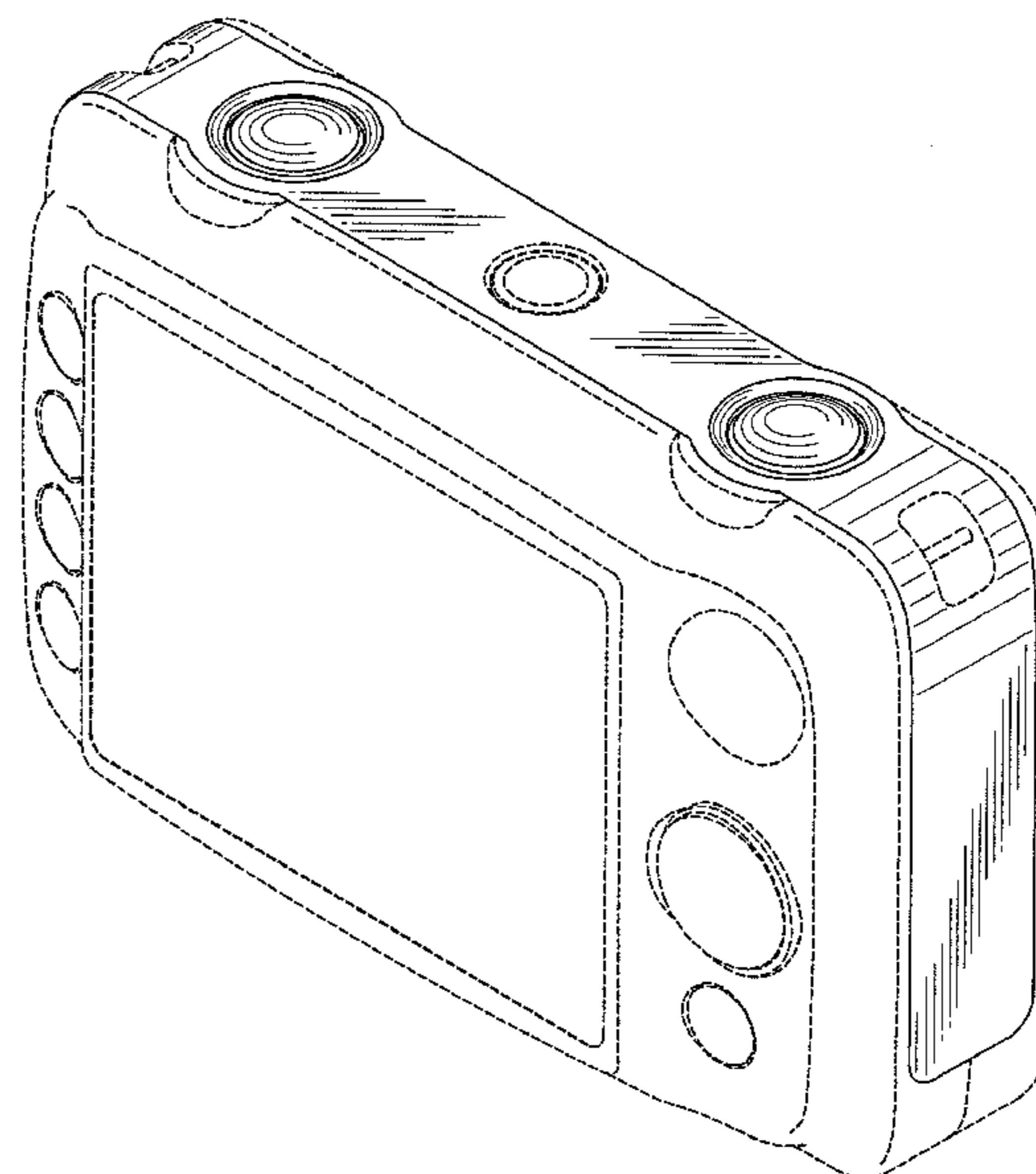
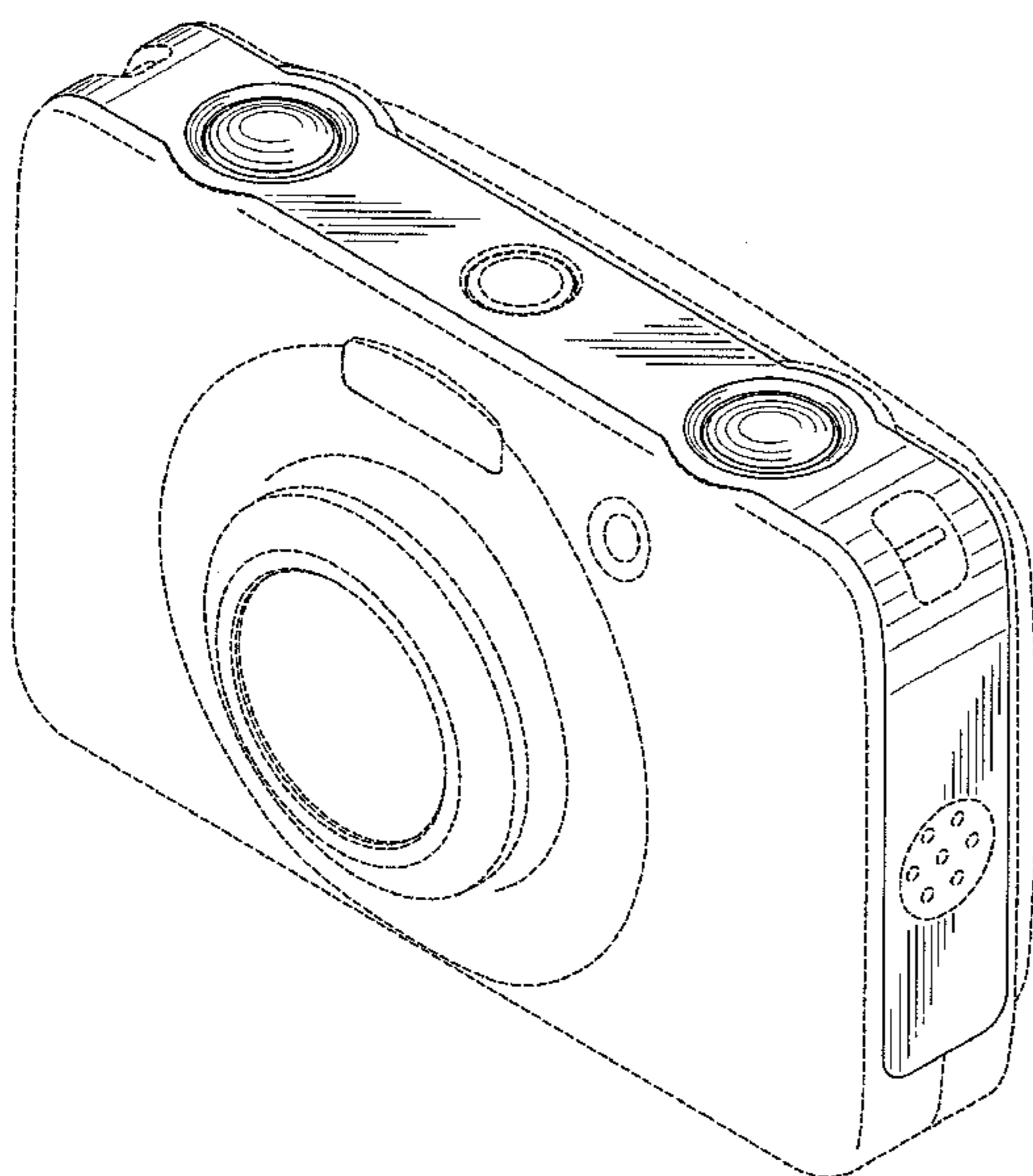
(57) **CLAIM**

The ornamental design for a digital camera, as shown and described.

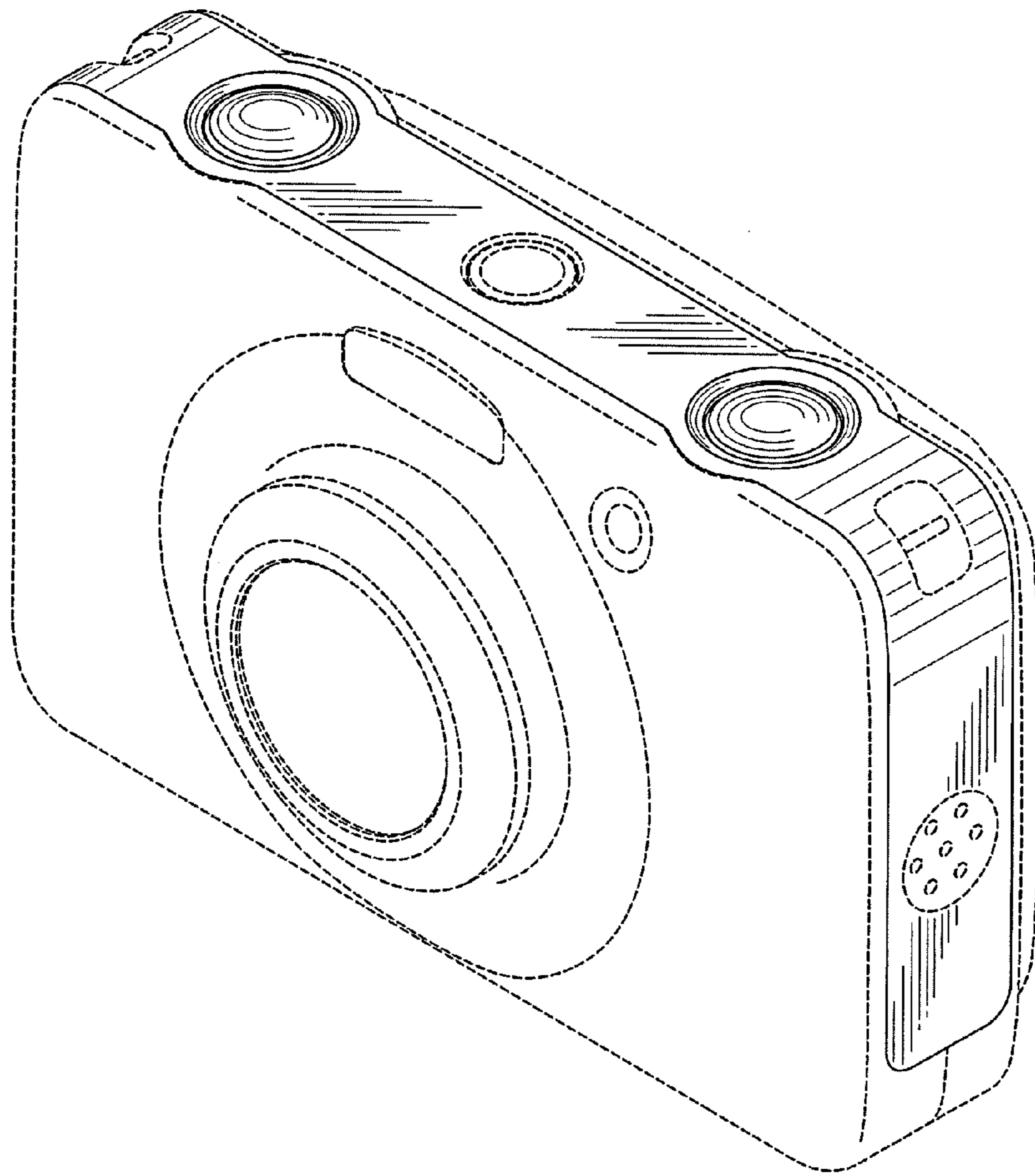
**DESCRIPTION**

FIG. 1 is a top, front and right side perspective view of a digital camera showing our new design;  
FIG. 2 is a top, rear and left side perspective view thereof.  
FIG. 3 is a front elevational view thereof;  
FIG. 4 is a rear elevational view thereof;  
FIG. 5 is a top plan view thereof;  
FIG. 6 is a bottom plan view thereof;  
FIG. 7 is a right side elevational view thereof; and,  
FIG. 8 is a left side elevational view thereof.  
The features shown in broken lines in the drawings depict environmental subject matter only and form no part of the claimed design.

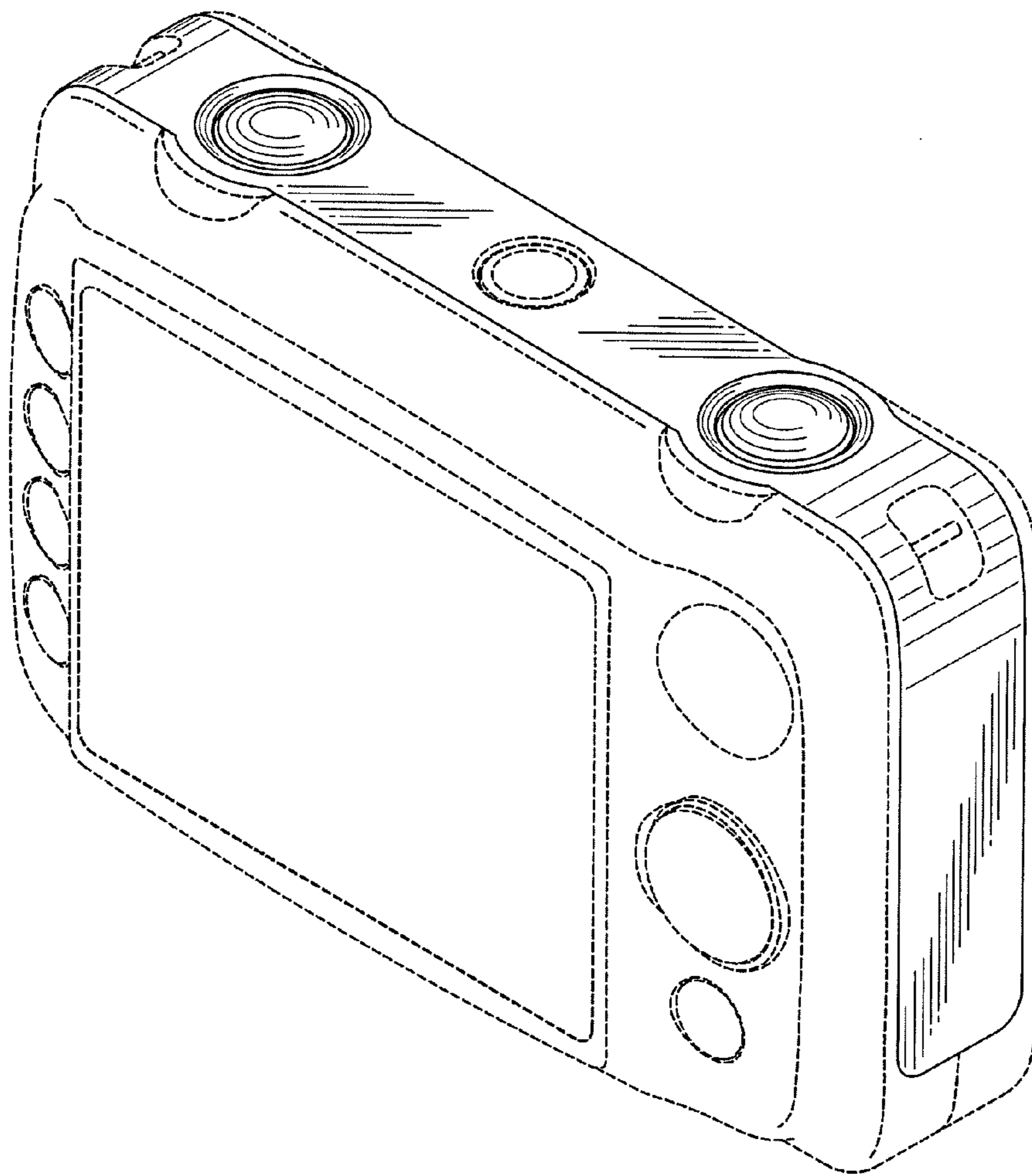
**1 Claim, 8 Drawing Sheets**



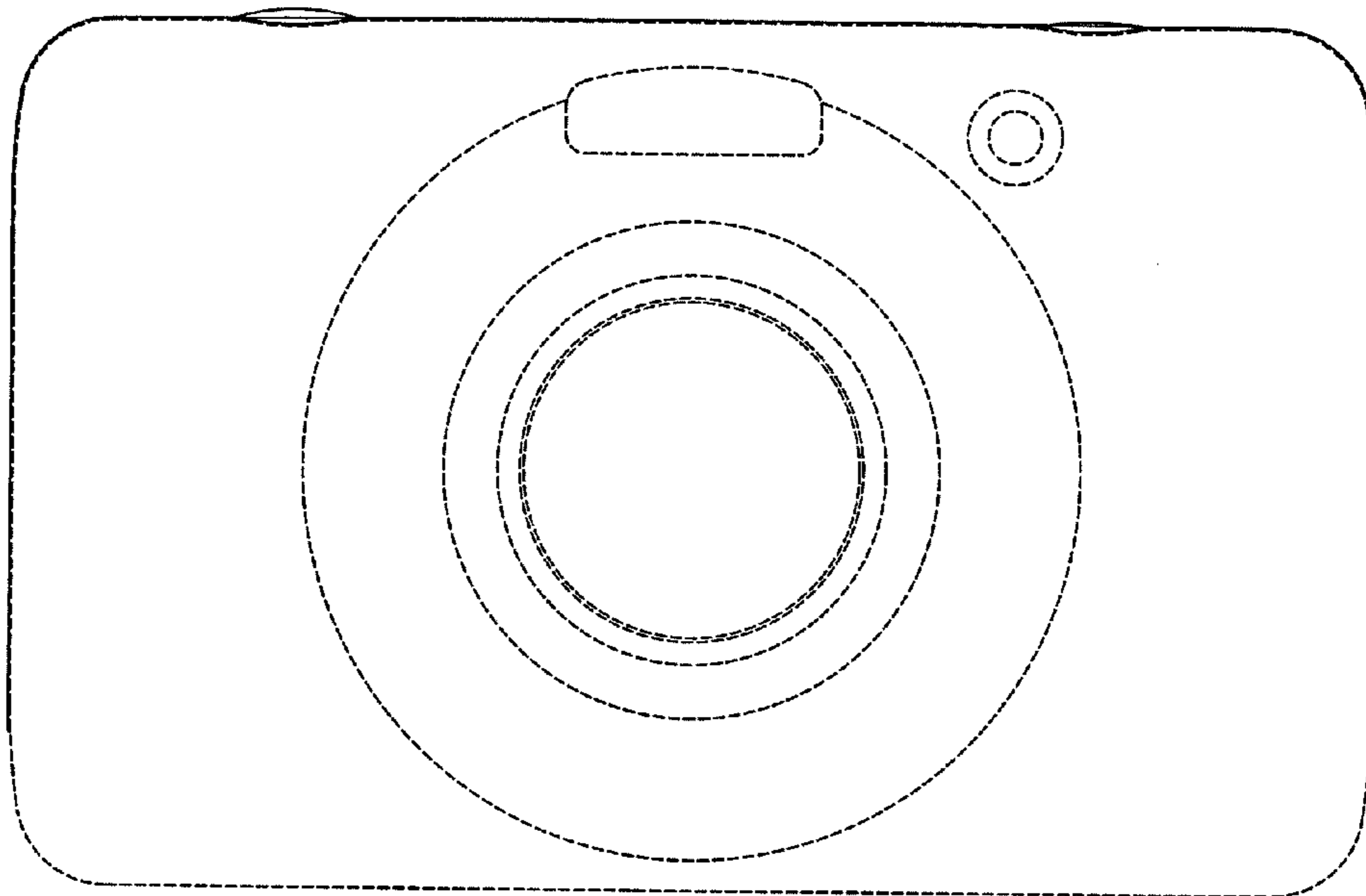
*FIG. 1*



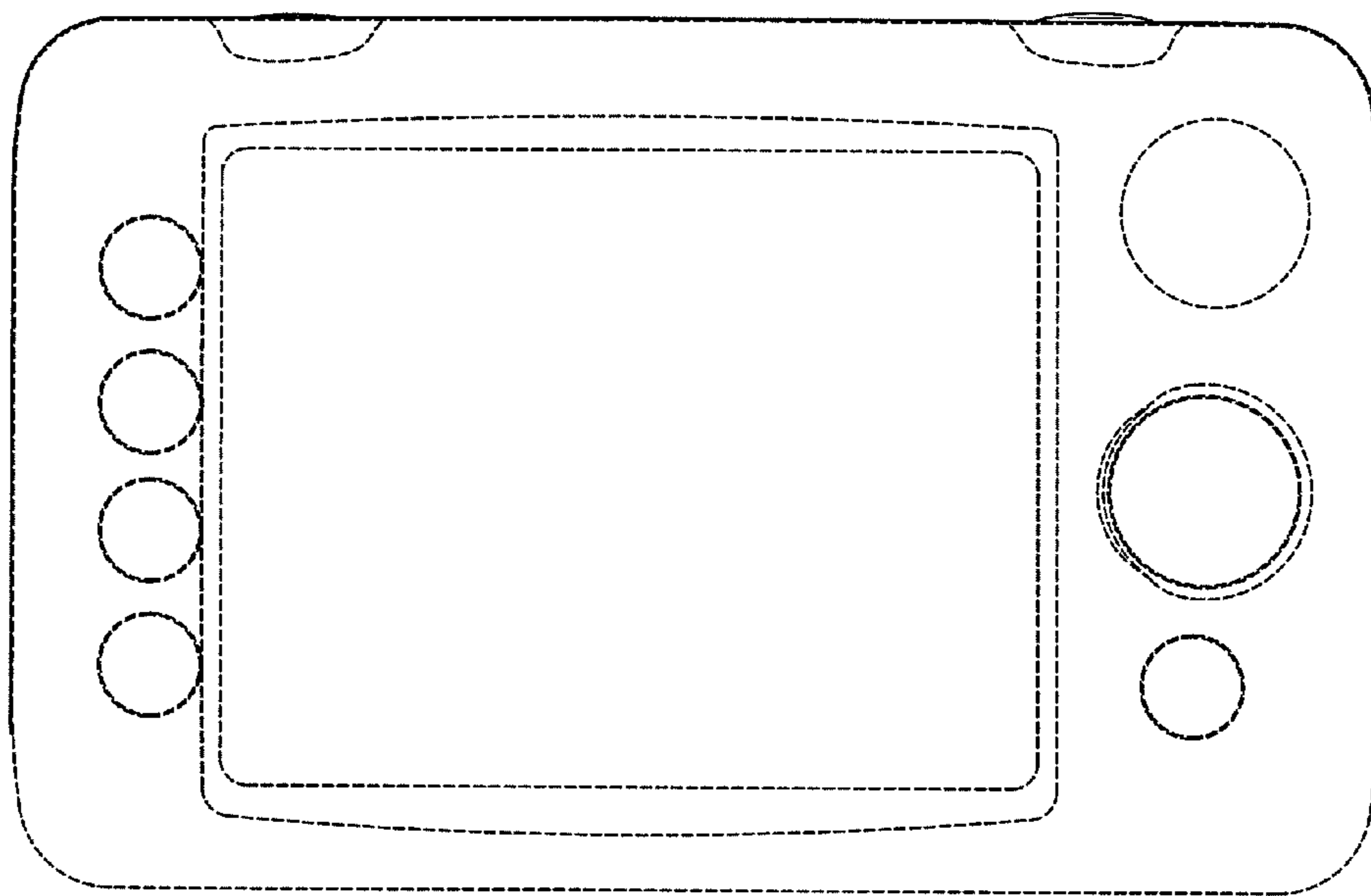
*FIG. 2*



*FIG. 3*

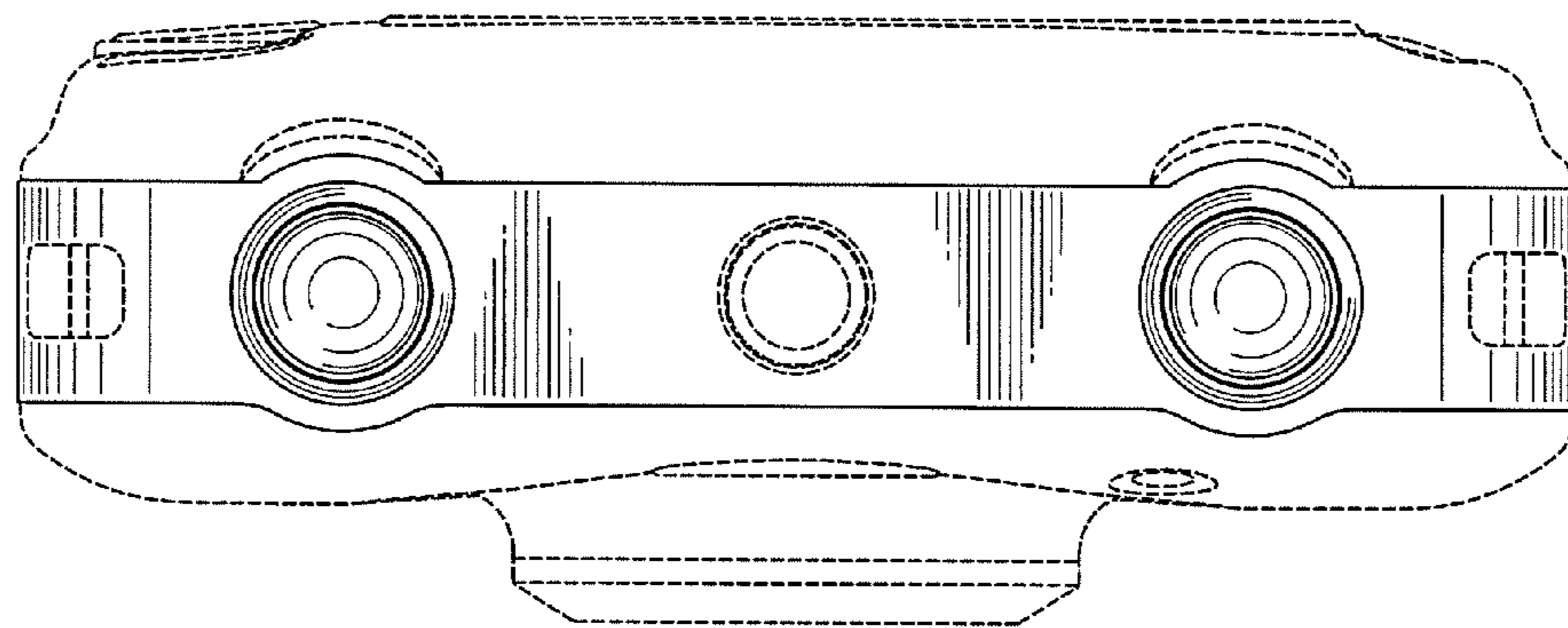


*FIG. 4*

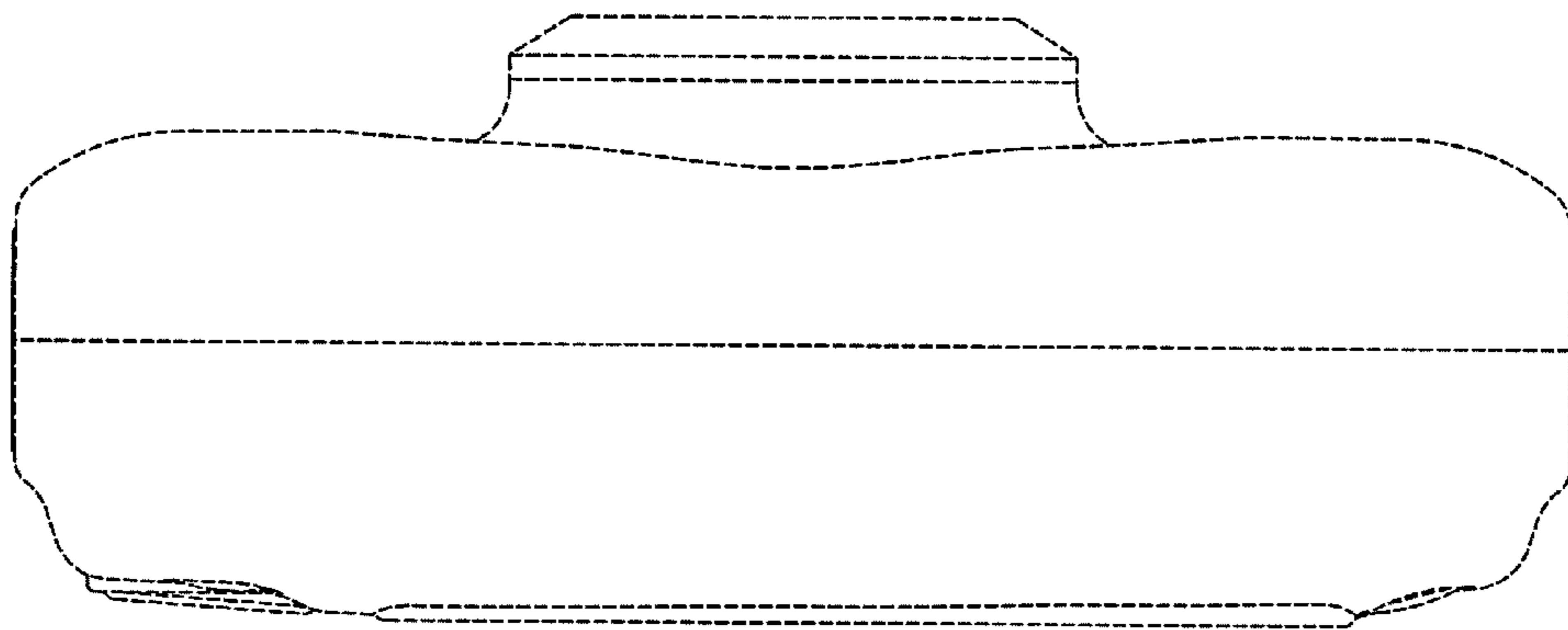




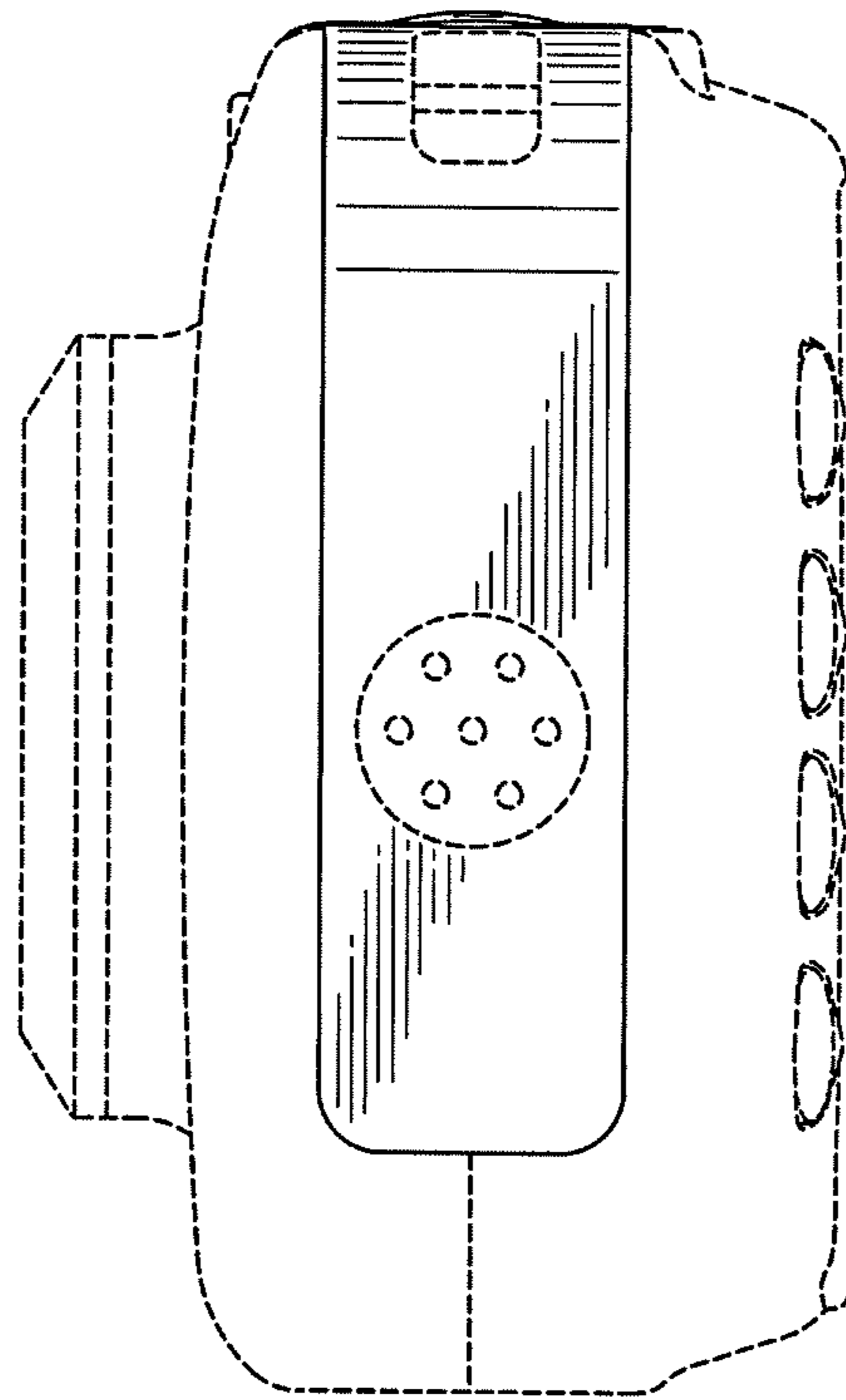
*FIG. 5*



*FIG. 6*



**FIG. 7**





*FIG. 8*

