



US00D704240S

(12) **United States Design Patent**
McBride et al.

(10) **Patent No.:** **US D704,240 S**

(45) **Date of Patent:** **** May 6, 2014**

(54) **PTZ SURVEILLANCE CAMERA**

(75) Inventors: **Frederick Michael McBride**, Belfast (GB); **Sergio M. Perez**, Lake Worth, FL (US); **Carlos E. DeJesus**, Boynton Beach, FL (US)

(73) Assignee: **Sensormatic Electronics, LLC**, Boca Raton, FL (US)

(**) Term: **14 Years**

(21) Appl. No.: **29/431,381**

(22) Filed: **Sep. 6, 2012**

(51) **LOC (10) Cl.** **16-01**

(52) **U.S. Cl.**
USPC **D16/203**

(58) **Field of Classification Search**
USPC D16/200, 202, 203, 204, 218; 348/143, 348/373-376; 396/427, 535-541
See application file for complete search history.

(56) **References Cited**

U.S. PATENT DOCUMENTS

D248,305 S *	6/1978	Scott	D16/203
D501,863 S *	2/2005	Nagai	D16/203
D542,320 S *	5/2007	Cheng	D16/203
D543,566 S *	5/2007	Kato et al.	D16/203

D545,860 S *	7/2007	Miyazaki	D16/202
7,609,321 B2 *	10/2009	Yamane	348/373
D626,984 S *	11/2010	Miyaji	D16/203

OTHER PUBLICATIONS

IP SpeedDome, IP Programmable Dome Cameras, American Dynamics, a Tyco International Company, retrieved from www.americandynamics.net.
SpeedDome Ultra 8 Camera Dome, Installation and Service Guide, American Dynamics, Sensormatic Electronics Corp., 2007, pp. 1-30.

* cited by examiner

Primary Examiner — Adir Aronovich

(74) *Attorney, Agent, or Firm* — Houston & Associates, LLP

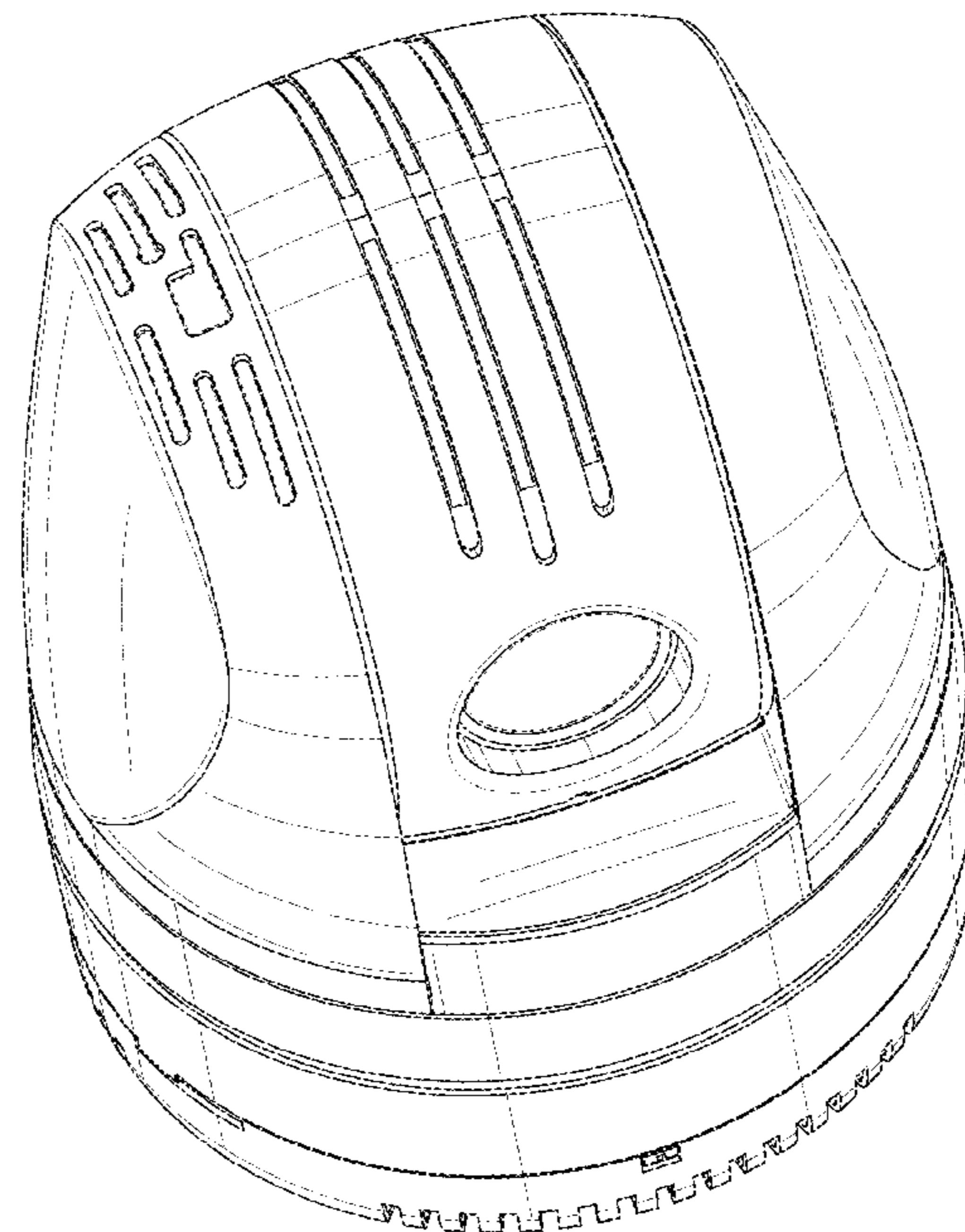
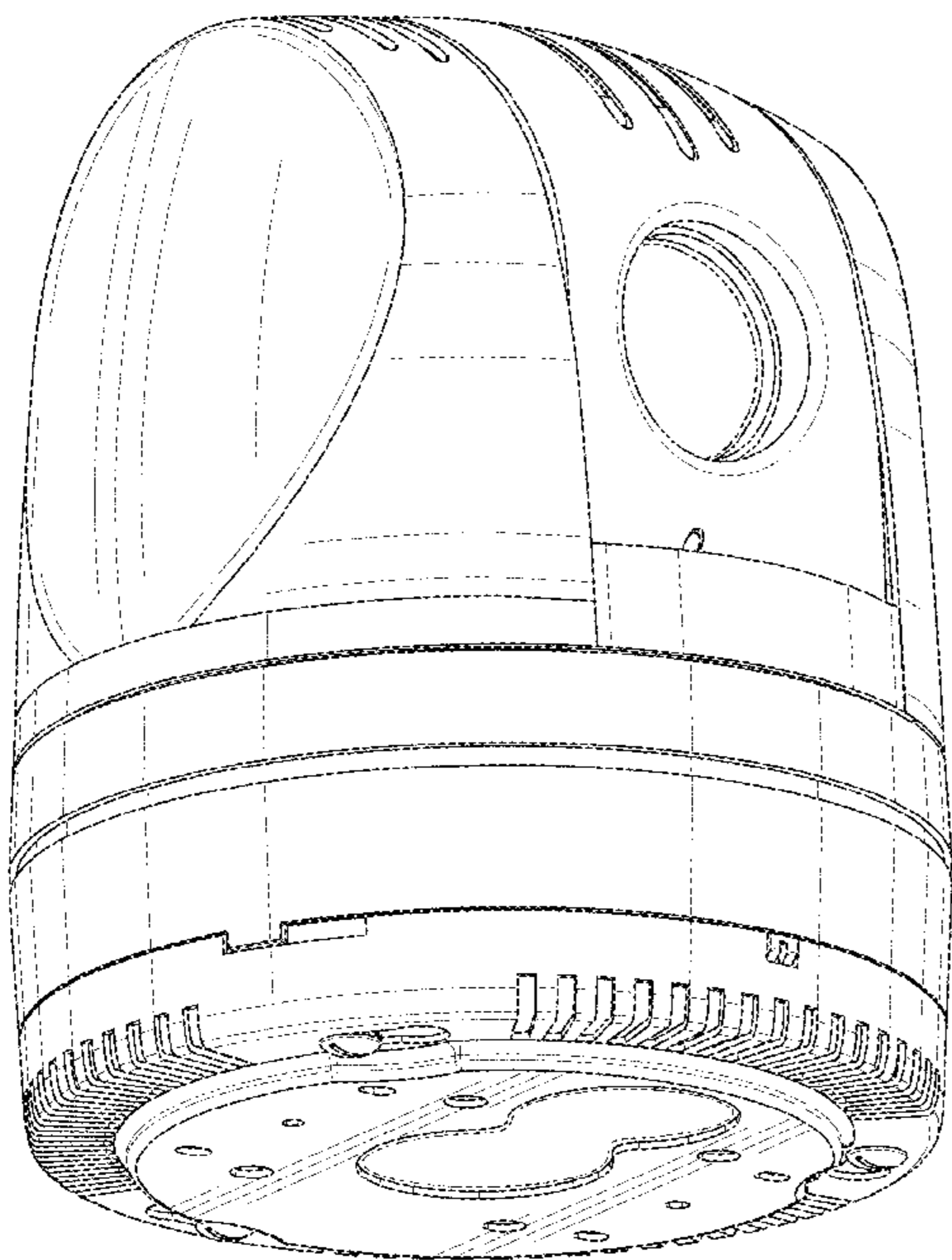
(57) **CLAIM**

The ornamental design for a PTZ surveillance camera, as shown and described.

DESCRIPTION

FIG. 1 is a front and bottom perspective view of a PTZ surveillance camera showing our new design; FIG. 2 is a front and top perspective view thereof; FIG. 3 is a front elevational view thereof; FIG. 4 is a left side elevational view thereof; FIG. 5 is a right side elevational view thereof; FIG. 6 is a top plan view thereof; and, FIG. 7 is a bottom plan view thereof.

1 Claim, 7 Drawing Sheets



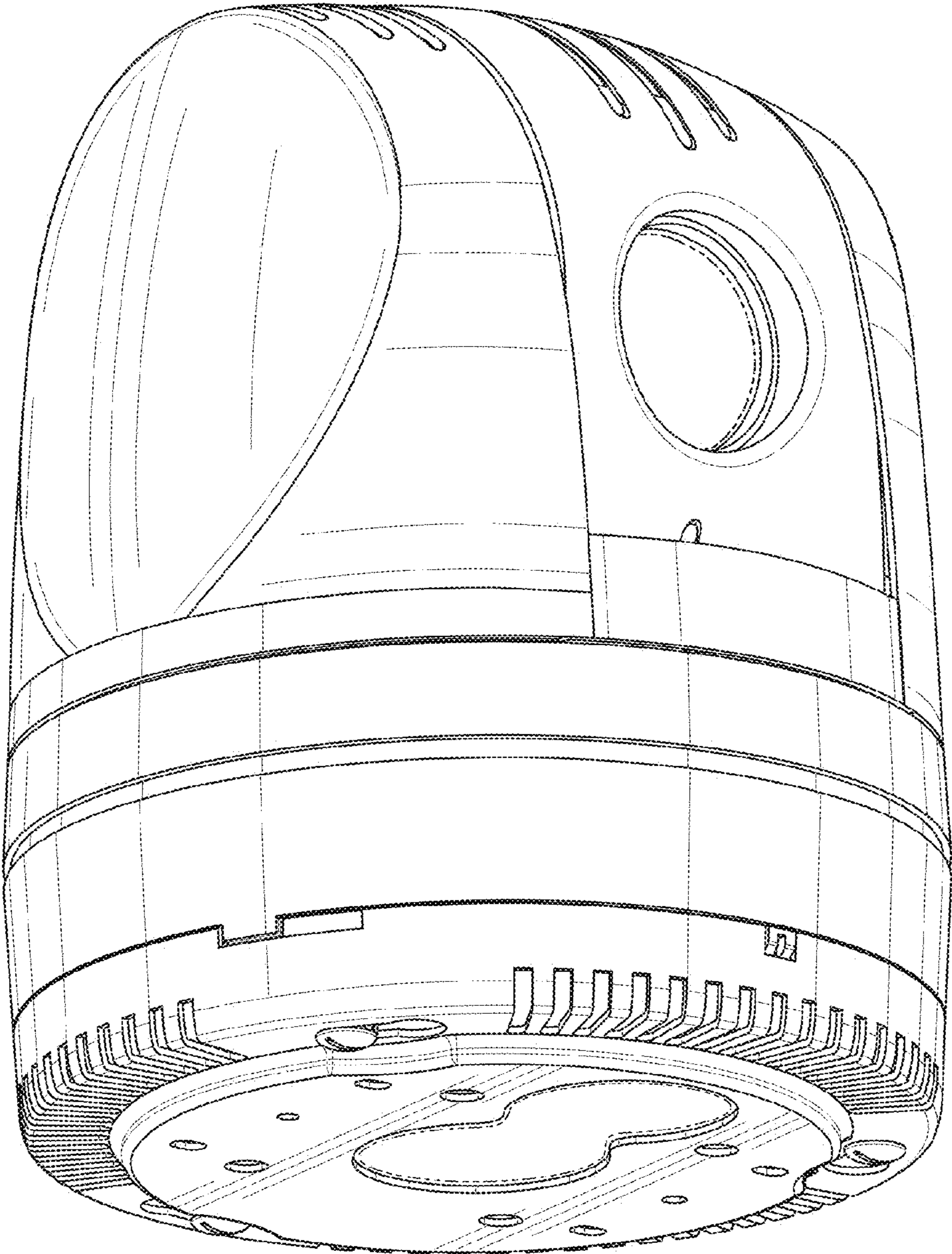


FIG. 1

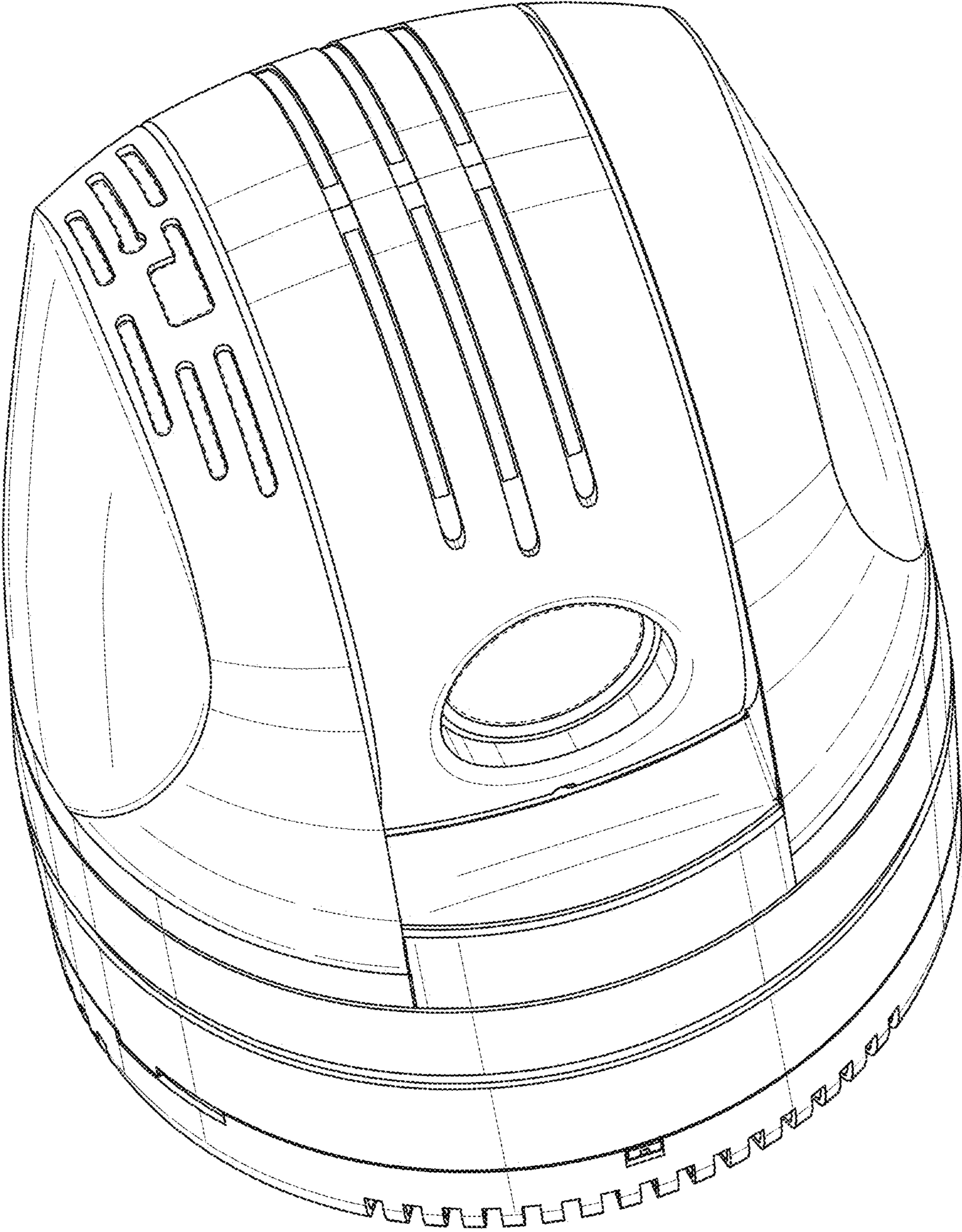


FIG. 2

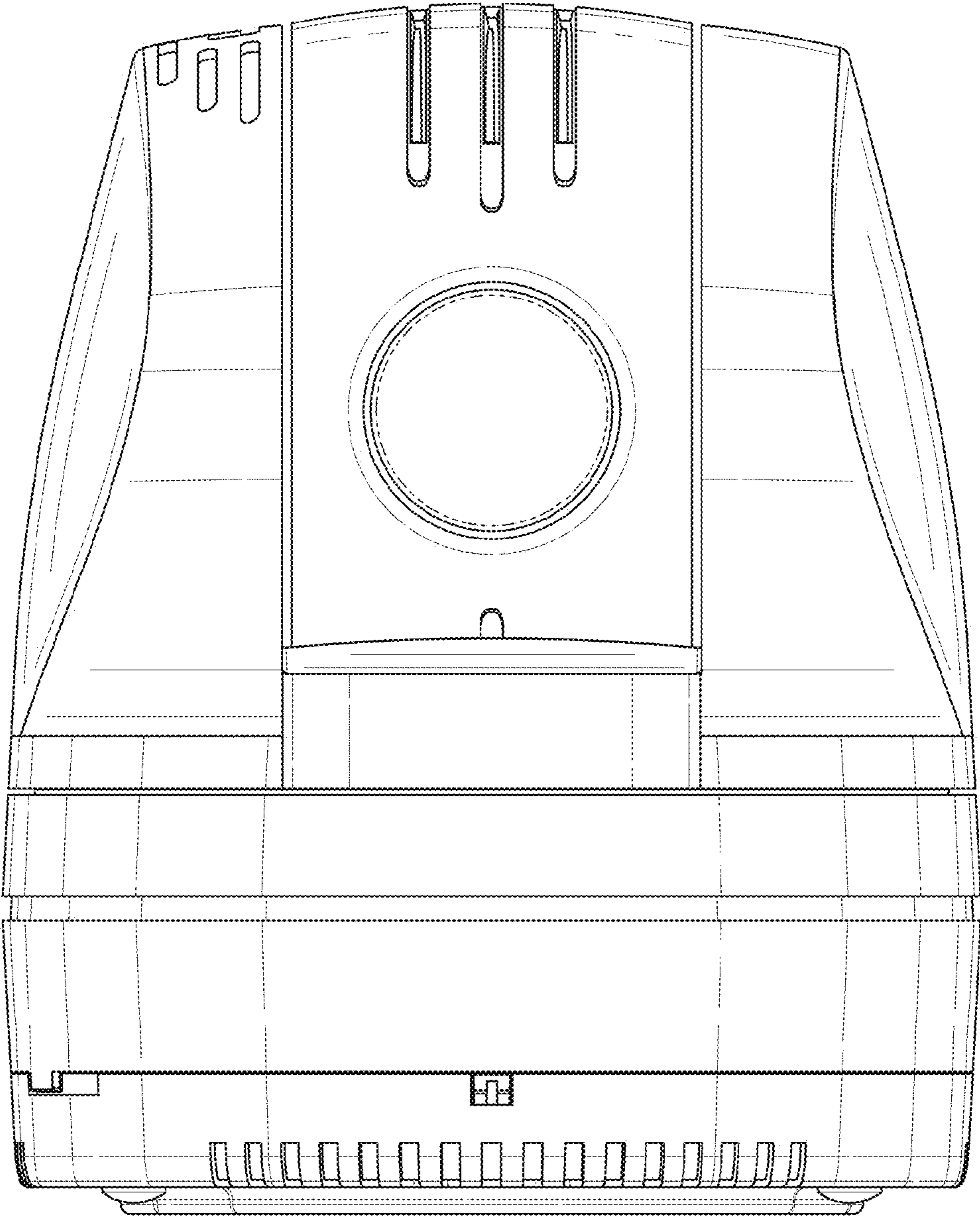


FIG. 3

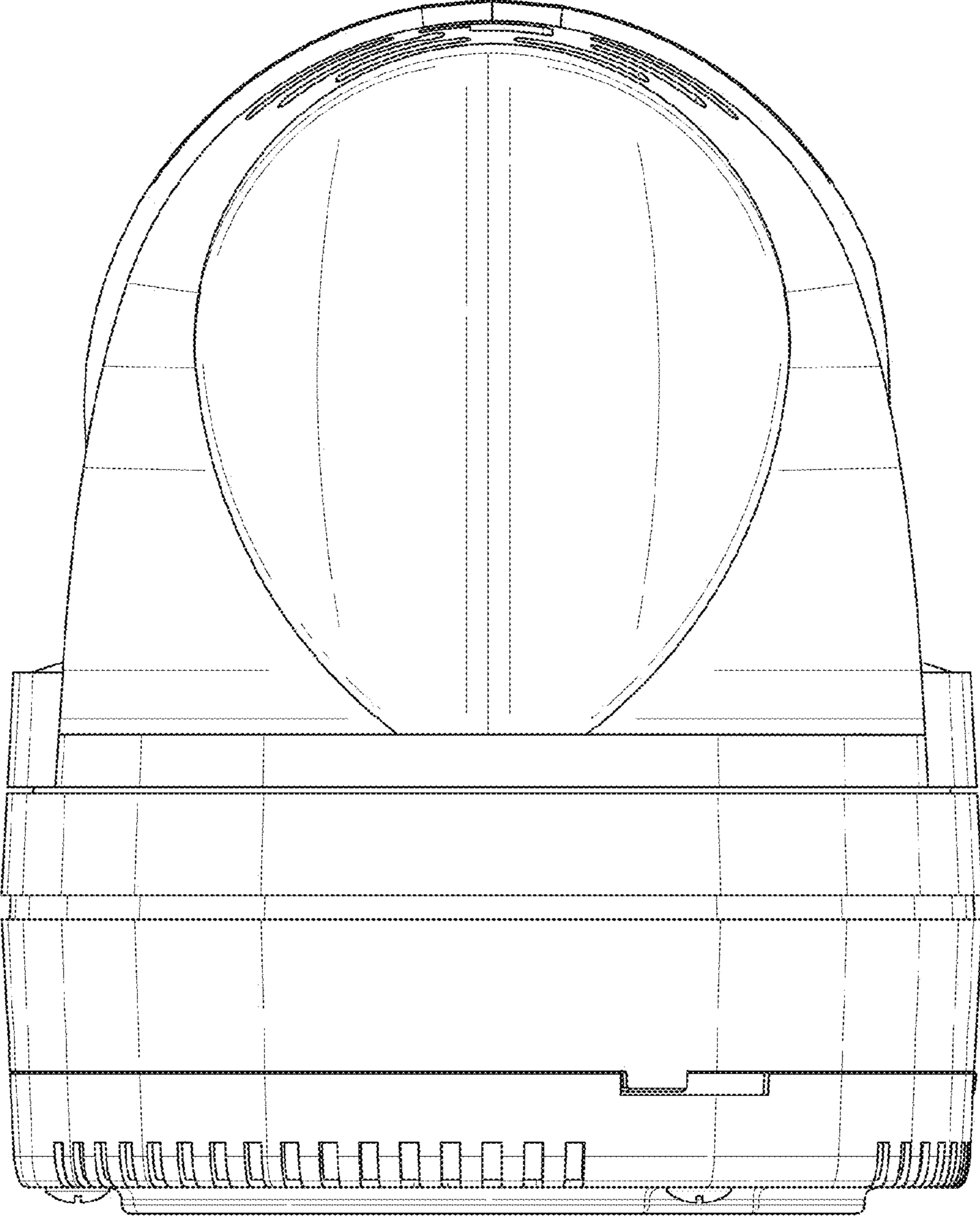


FIG. 4

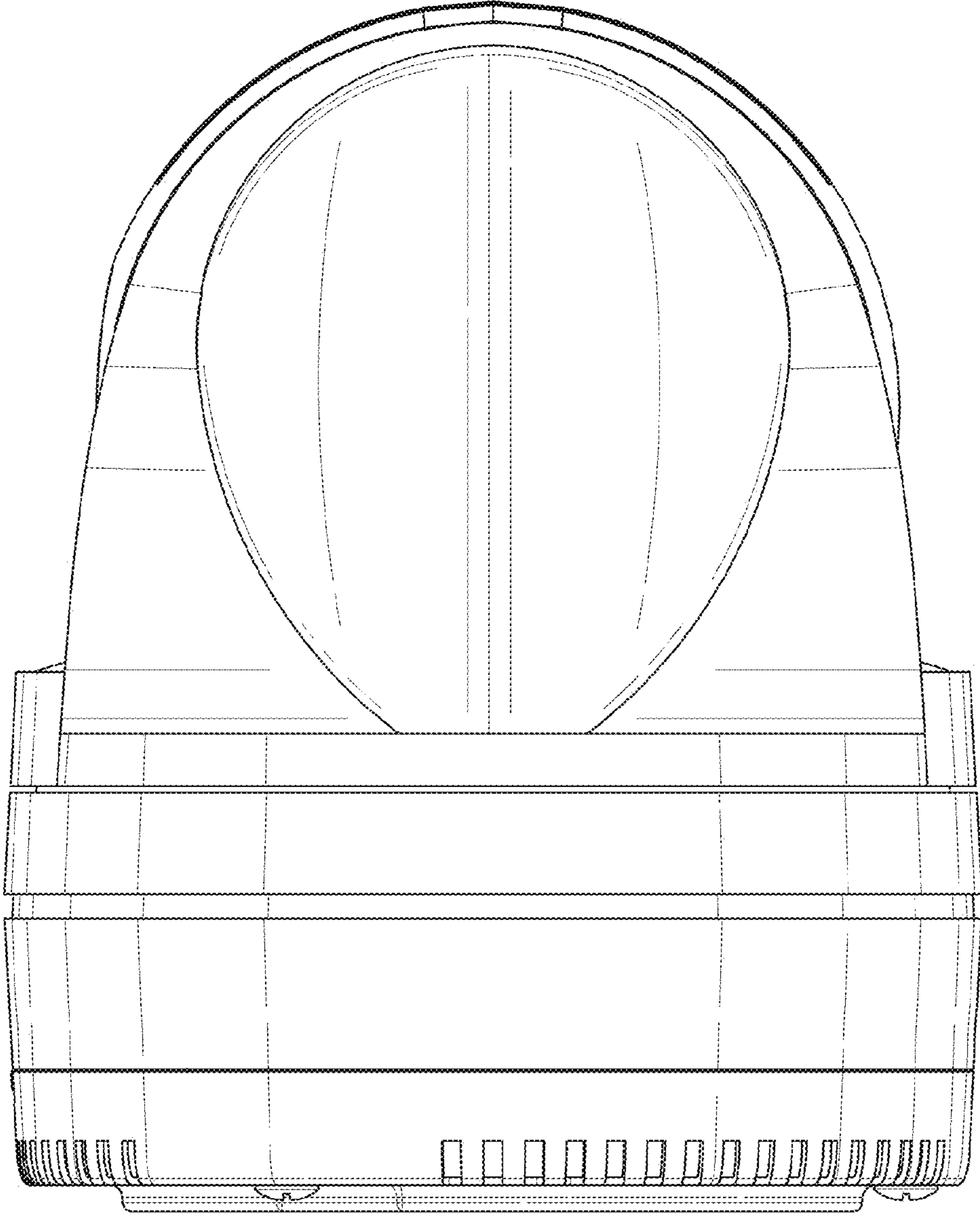


FIG. 5

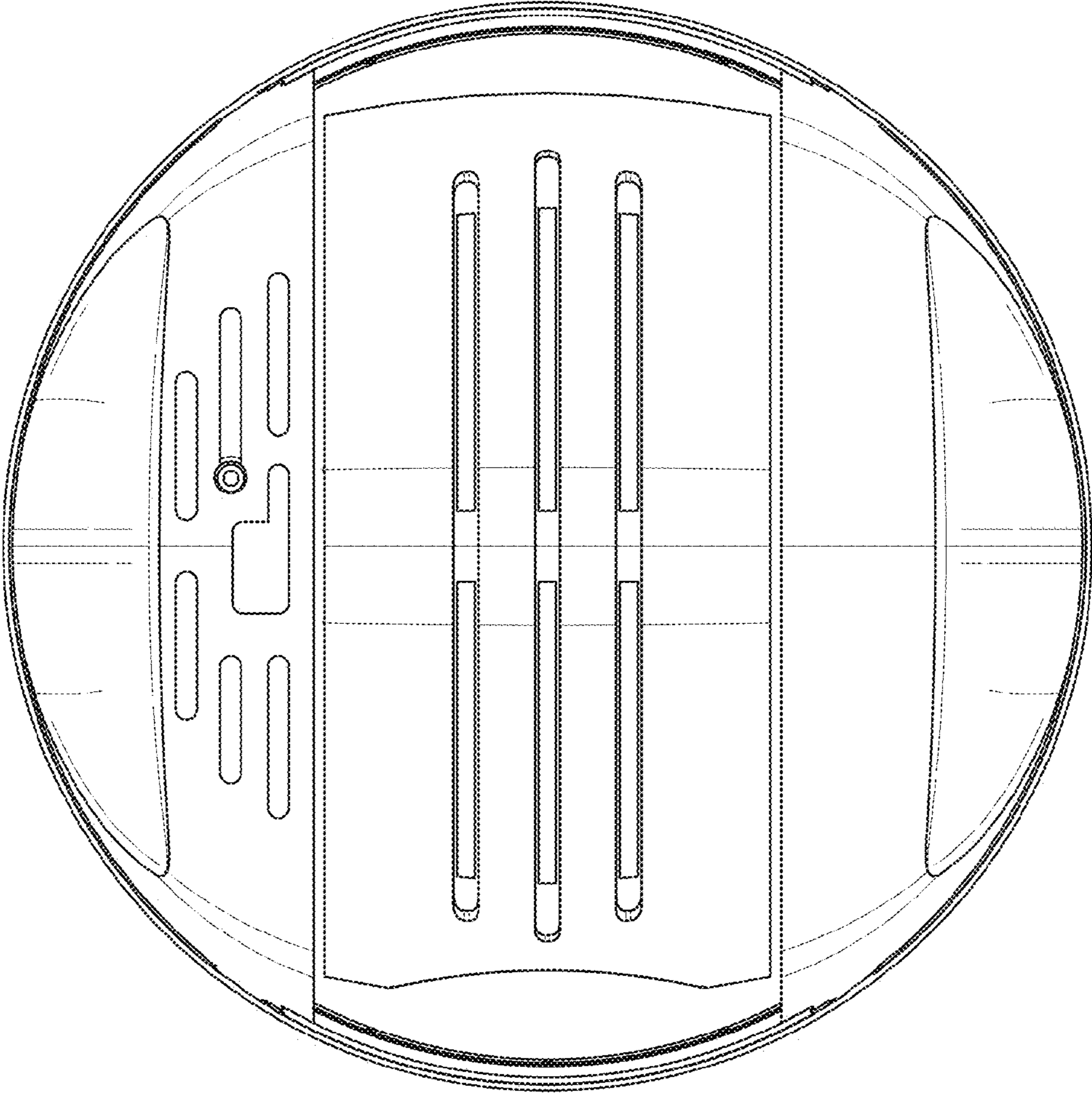


FIG. 6

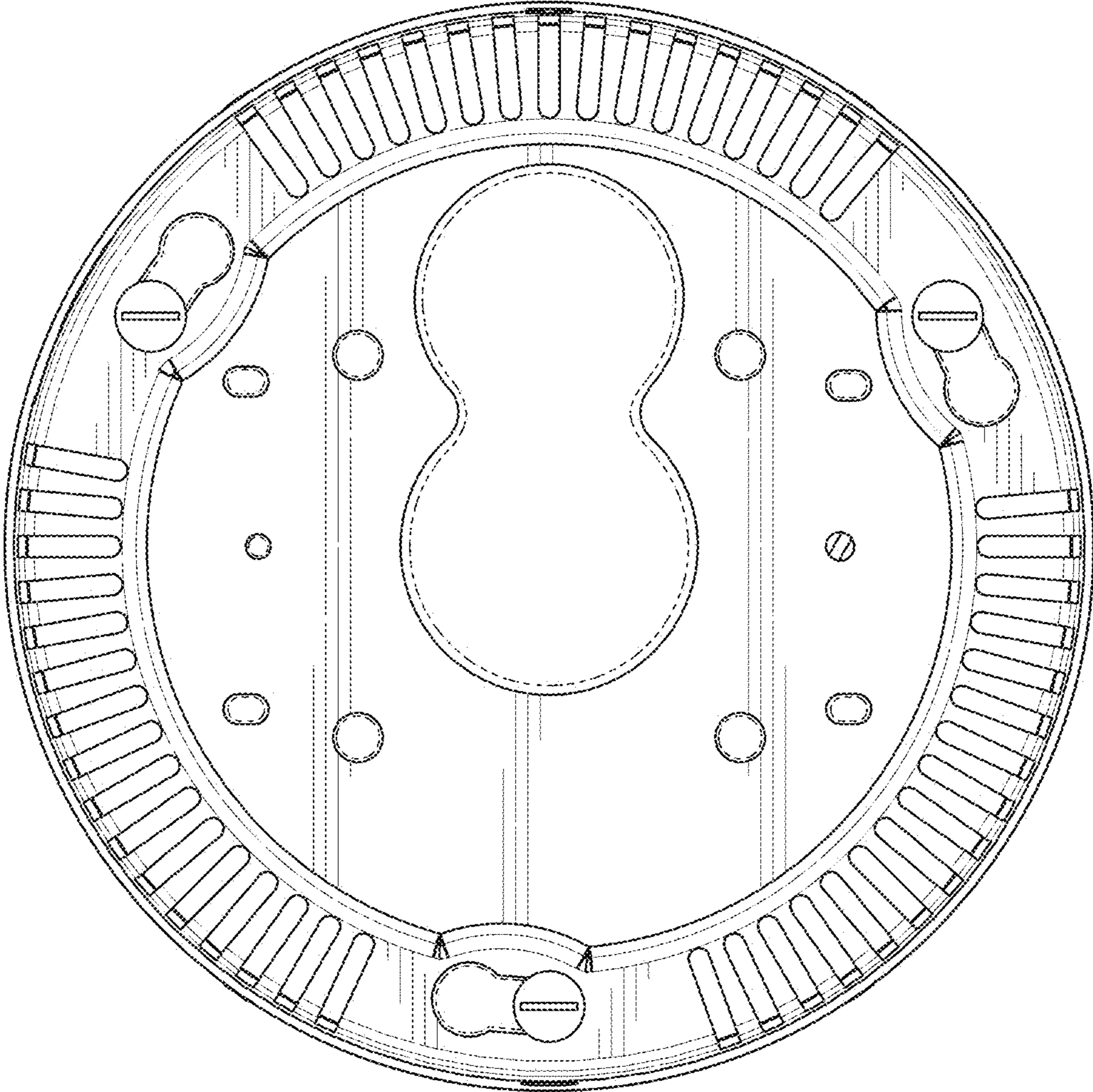


FIG. 7