



US00D704239S

(12) **United States Design Patent**  
**Faul et al.**

(10) **Patent No.:** **US D704,239 S**

(45) **Date of Patent:** **\*\* May 6, 2014**

- (54) **POLARIZATION MODULATOR**
- (71) Applicants: **Kevin Faul**, Boulder, CO (US); **Daniel Stromborg**, Los Angeles, CA (US)
- (72) Inventors: **Kevin Faul**, Boulder, CO (US); **Daniel Stromborg**, Los Angeles, CA (US)
- (73) Assignee: **REALD Inc.**, Beverly Hills, CA (US)
- (\*\*) Term: **14 Years**
- (21) Appl. No.: **29/445,503**
- (22) Filed: **Feb. 12, 2013**
- (51) **LOC (10) Cl.** ..... **16-06**
- (52) **U.S. Cl.**  
CPC ..... **G02B 5/3083** (2013.01)  
USPC ..... **D16/130**
- (58) **Field of Classification Search**  
CPC ..... G02B 5/3083  
USPC ..... D16/130, 135; D6/300; D10/46;  
359/489.01, 484.02, 489.06, 485.01,  
359/808, 810, 811, 819  
See application file for complete search history.

D130,204 S *	10/1941	Scherr .....	D16/135
D163,373 S *	5/1951	Da Corta .....	D16/135
D229,231 S *	11/1973	Beeren .....	D16/135
3,954,247 A *	5/1976	Krusche .....	248/471
D306,175 S *	2/1990	Steel et al. ....	D16/135
D424,591 S *	5/2000	Goff et al. ....	D16/135
6,322,226 B1 *	11/2001	Dickson .....	362/33
D475,728 S *	6/2003	Friedman .....	D16/135
D503,944 S *	4/2005	Adachi et al. ....	D16/130
D526,340 S *	8/2006	Hodgson .....	D16/135
D552,645 S *	10/2007	Yip et al. ....	D16/136
D614,219 S *	4/2010	Yip et al. ....	D16/135

\* cited by examiner

*Primary Examiner* — Paula Greene

(74) *Attorney, Agent, or Firm* — Neil G. J. Mothew; Darlene K. Kondo

(57) **CLAIM**

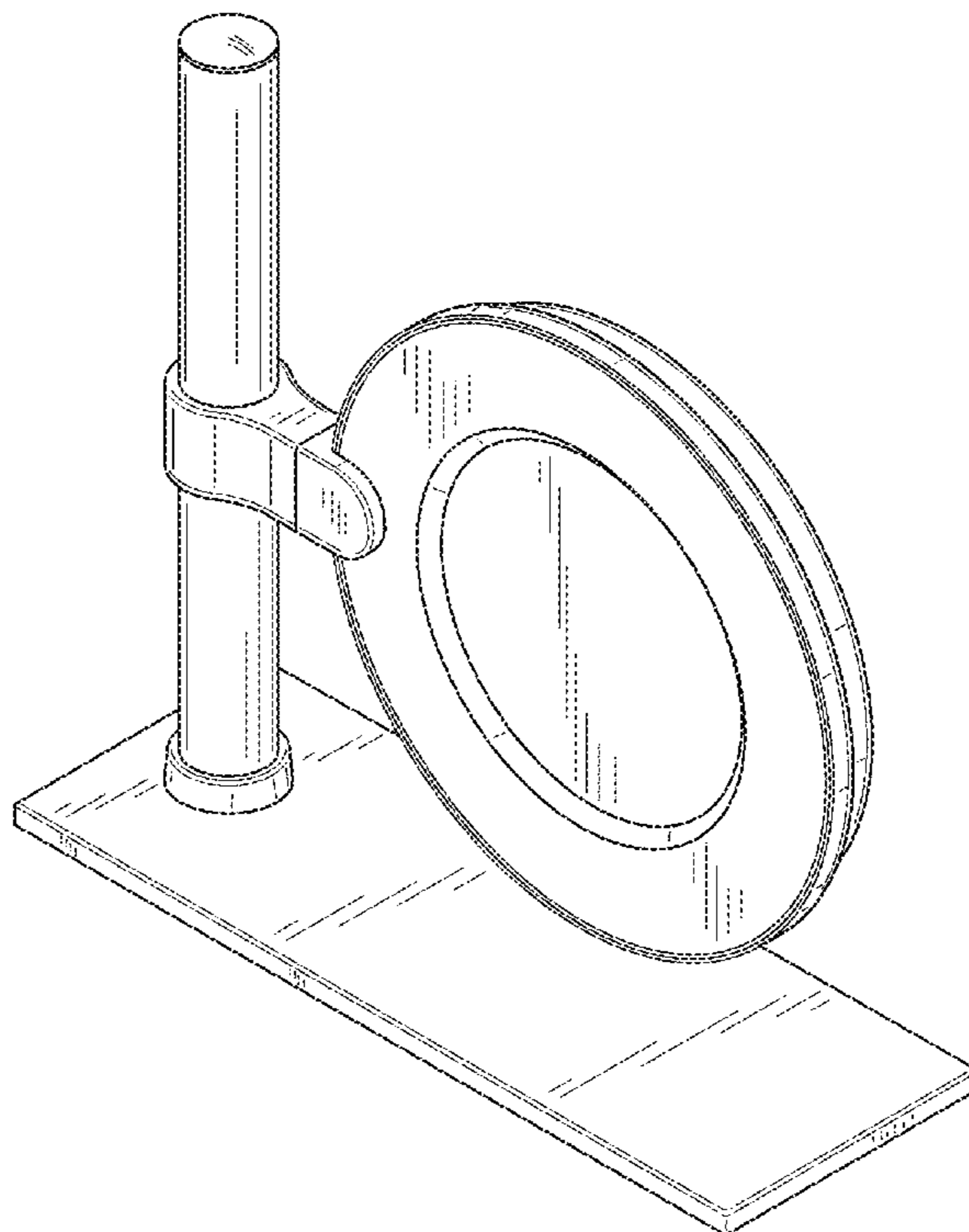
The ornamental design for a polarization modulator, as shown and described.

**DESCRIPTION**

FIG. 1 is a perspective view of a polarization modulator, in accordance with the present design;  
FIG. 2 is a front elevational view thereof;  
FIG. 3 is a rear elevational view thereof;  
FIG. 4 is a left side elevational view thereof;  
FIG. 5 is a right side elevational view thereof;  
FIG. 6 is a top elevational view thereof; and,  
FIG. 7 is a bottom elevational view thereof.

**1 Claim, 4 Drawing Sheets**

- (56) **References Cited**  
U.S. PATENT DOCUMENTS  
D77,289 S \* 12/1928 Brady ..... D16/135  
1,806,422 A \* 5/1931 Shaen ..... 359/442  
1,909,662 A \* 5/1933 Conners ..... 359/803  
1,962,597 A \* 6/1934 Hunter, Sr. .... 248/474  
2,064,963 A \* 12/1936 Wheeler ..... 359/636



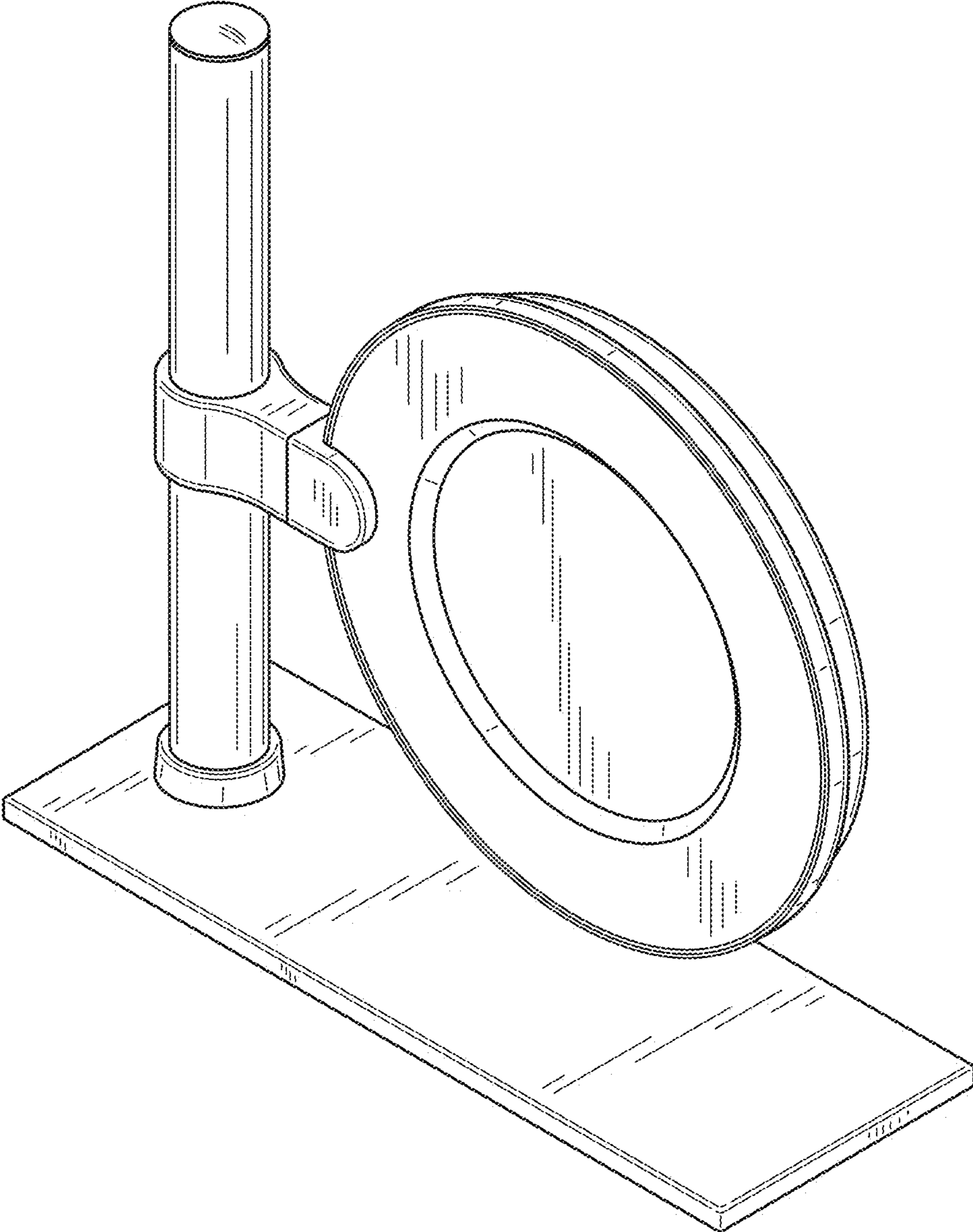


FIG.1

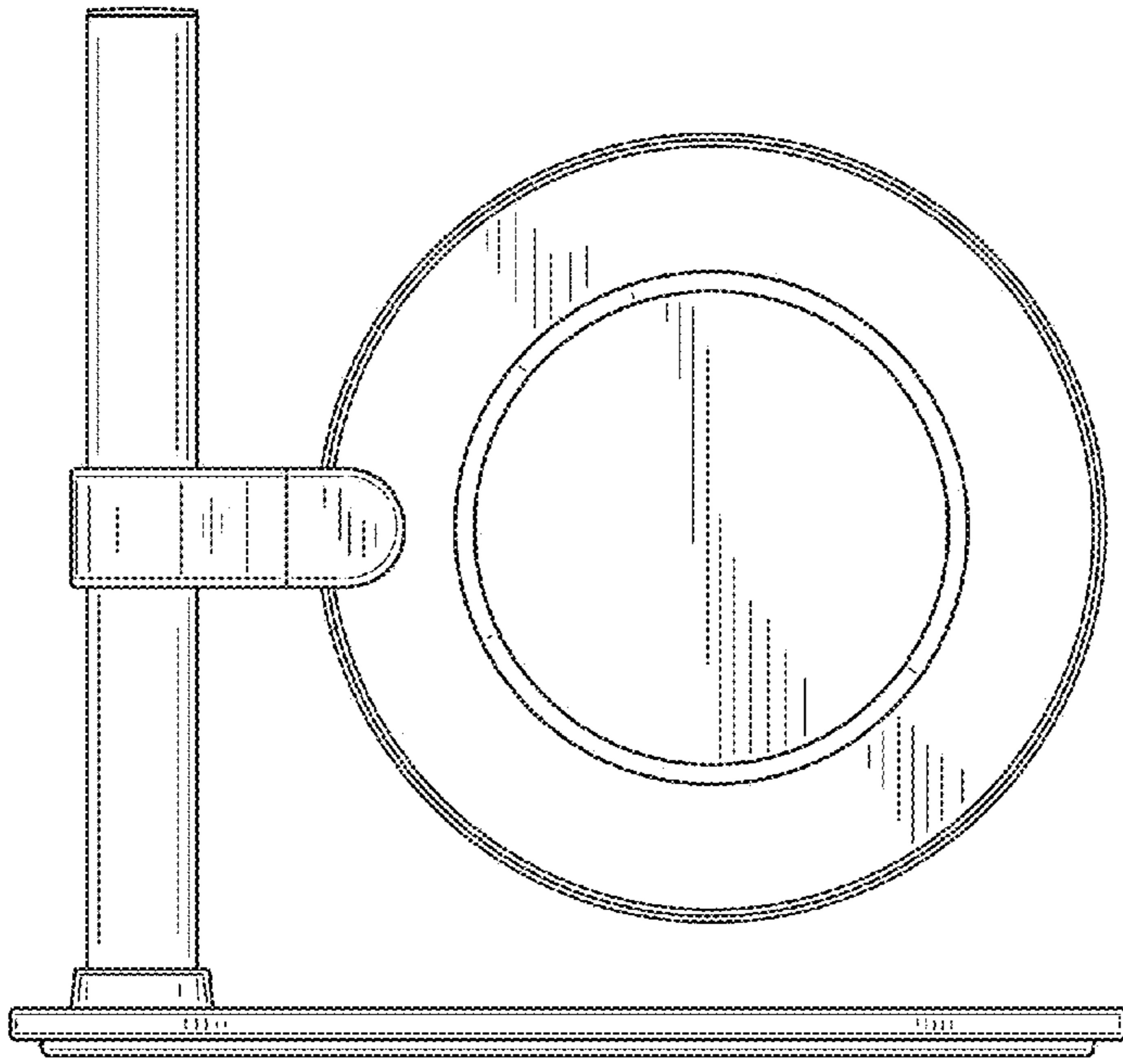


FIG. 2

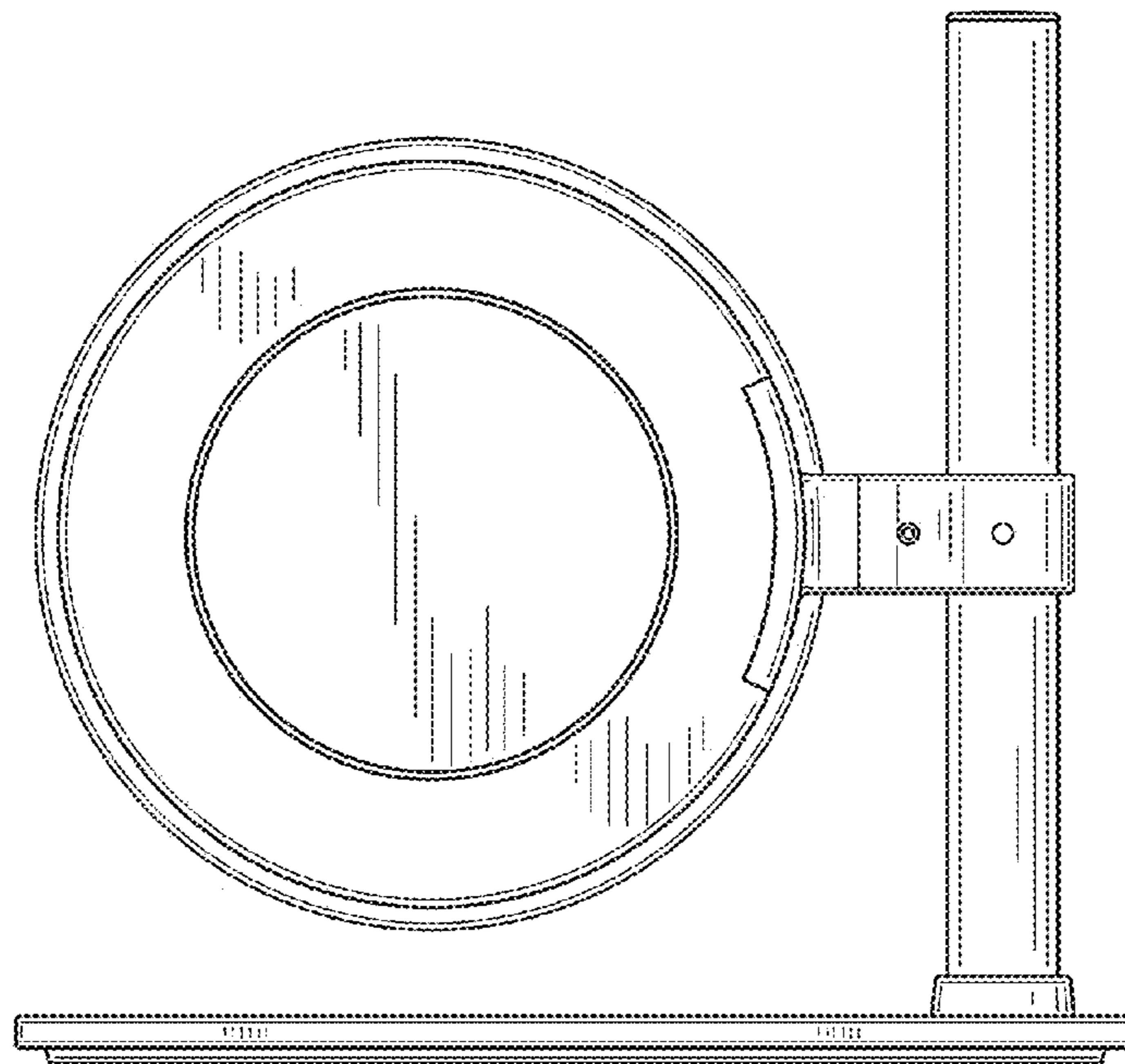


FIG. 3

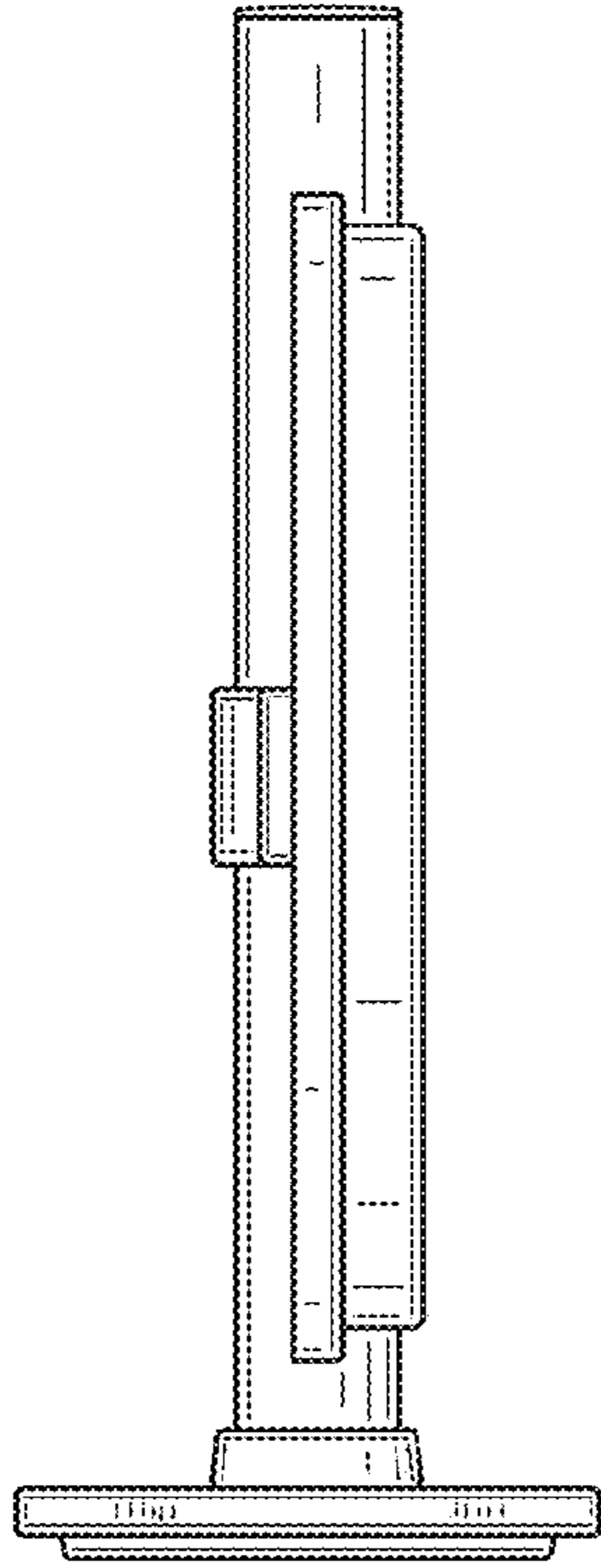


FIG. 4

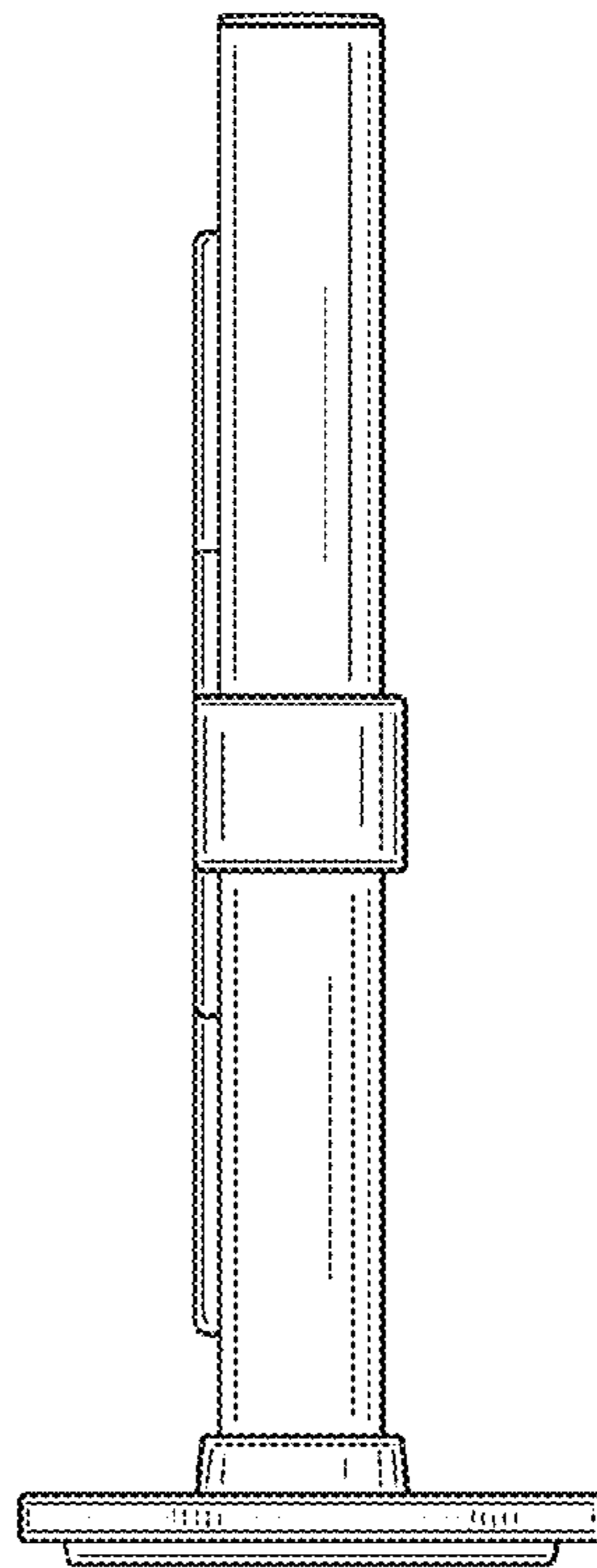


FIG. 5

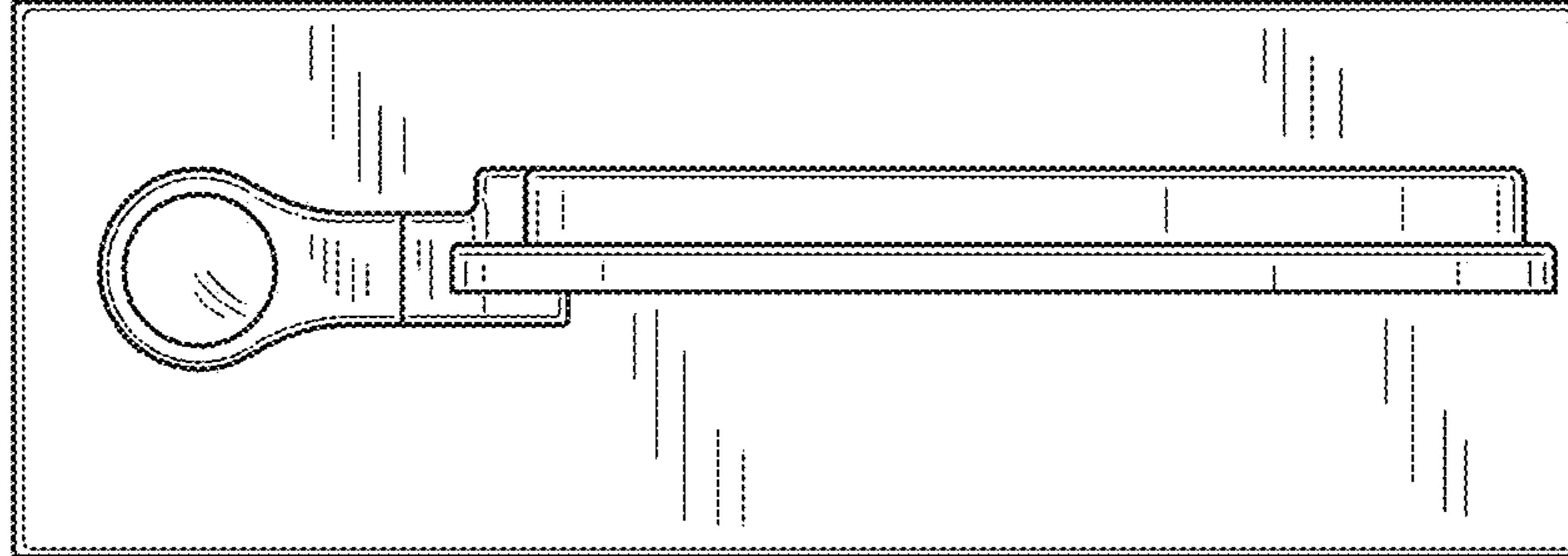


FIG. 6

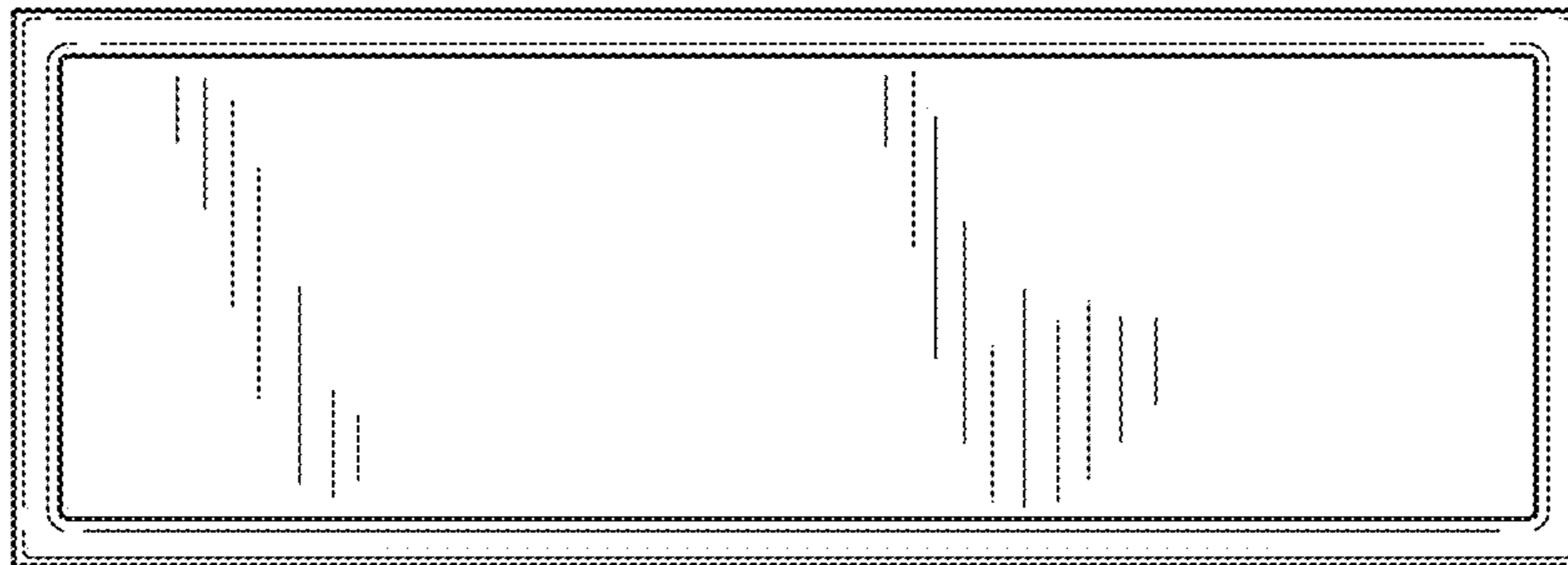


FIG. 7