

US00D704238S

(12) **United States Design Patent**
Fukano et al.

(10) **Patent No.:** **US D704,238 S**

(45) **Date of Patent:** **** May 6, 2014**

(54) **ELECTRIC ACTUATOR**

(75) Inventors: **Yoshihiro Fukano**, Tsukubamirai (JP);
Toru Sugiyama, Tsukubamirai (JP);
Masaki Miyahara, Tsukubamirai (JP)

(73) Assignee: **SMC Corporation**, Chiyoda-ku, Tokyo
(JP)

(**) Term: **14 Years**

(21) Appl. No.: **29/428,751**

(22) Filed: **Aug. 2, 2012**

(30) **Foreign Application Priority Data**

May 25, 2012 (JP) 2012-012282

(51) **LOC (10) Cl.** **15-09**

(52) **U.S. Cl.**
USPC **D15/143; D15/199**

(58) **Field of Classification Search**
USPC D13/118, 158, 162, 184; D15/1-5, 7, 9,
D15/143, 148, 199; 74/89.15, 90.15, 411.5,
74/411.54, 490.09; 297/14, 325, 327;
310/10, 12, 15, 20, 20.8, 80, 300
See application file for complete search history.

(56) **References Cited**

U.S. PATENT DOCUMENTS

D317,922 S * 7/1991 Toyoda et al. D15/5
D378,214 S * 2/1997 Ikumi D15/7
D399,491 S * 10/1998 Nagai et al. D13/158
D399,830 S * 10/1998 Nagai et al. D13/158

D413,129 S * 8/1999 Nagai et al. D15/199
D456,826 S * 5/2002 Nagai et al. D15/143
D587,733 S * 3/2009 Niedermeyer D15/143
D611,514 S * 3/2010 Fukano et al. D15/143
D624,099 S * 9/2010 Fukano et al. D15/143
D624,572 S * 9/2010 Fukano et al. D15/143
D636,799 S * 4/2011 Fukano et al. D15/143
D656,169 S * 3/2012 Fukano et al. D15/143
D681,085 S * 4/2013 Mangold D15/143
D686,257 S * 7/2013 Wu D15/143
2005/0011291 A1* 1/2005 Nagai et al. 74/89.32
2009/0049938 A1* 2/2009 Teramachi et al. 74/22 A

* cited by examiner

Primary Examiner — Patricia Palasik

(74) *Attorney, Agent, or Firm* — Yokoi & Co., U.S.A., Inc.;
Toshiyuki Yokoi

(57) **CLAIM**

The ornamental design for an electric actuator, as shown and described.

DESCRIPTION

FIG. 1 shows a front view of an electric actuator showing our new design;
FIG. 2 shows a rear view thereof;
FIG. 3 shows a right side view thereof;
FIG. 4 shows a left side view thereof;
FIG. 5 shows a top view thereof;
FIG. 6 shows a bottom view thereof;
FIG. 7 shows a top, front and left side perspective view thereof; and,
FIG. 8 shows a top, front and right side perspective view thereof.

1 Claim, 5 Drawing Sheets

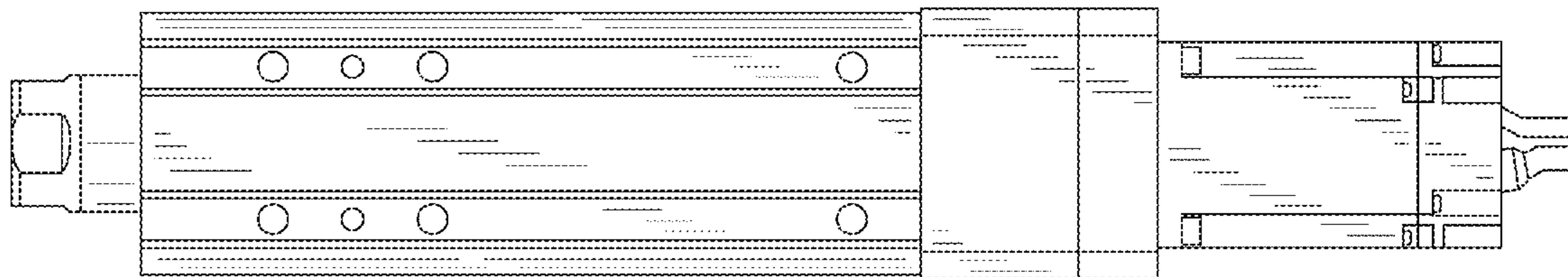


FIG. 1

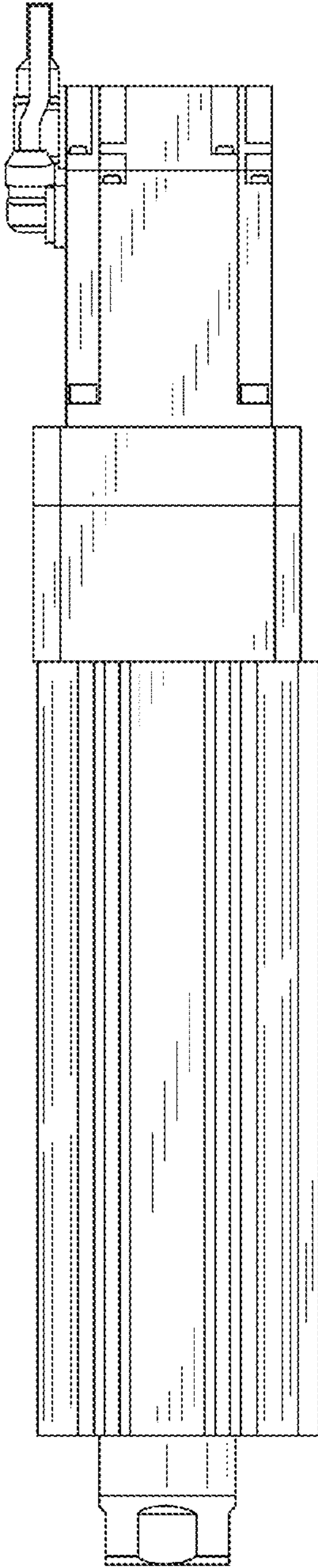


FIG. 2

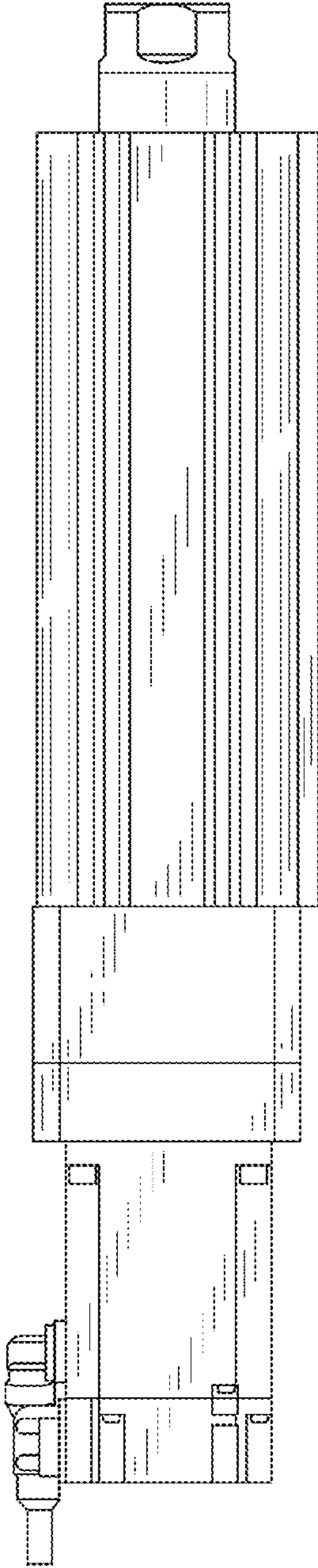


FIG. 3

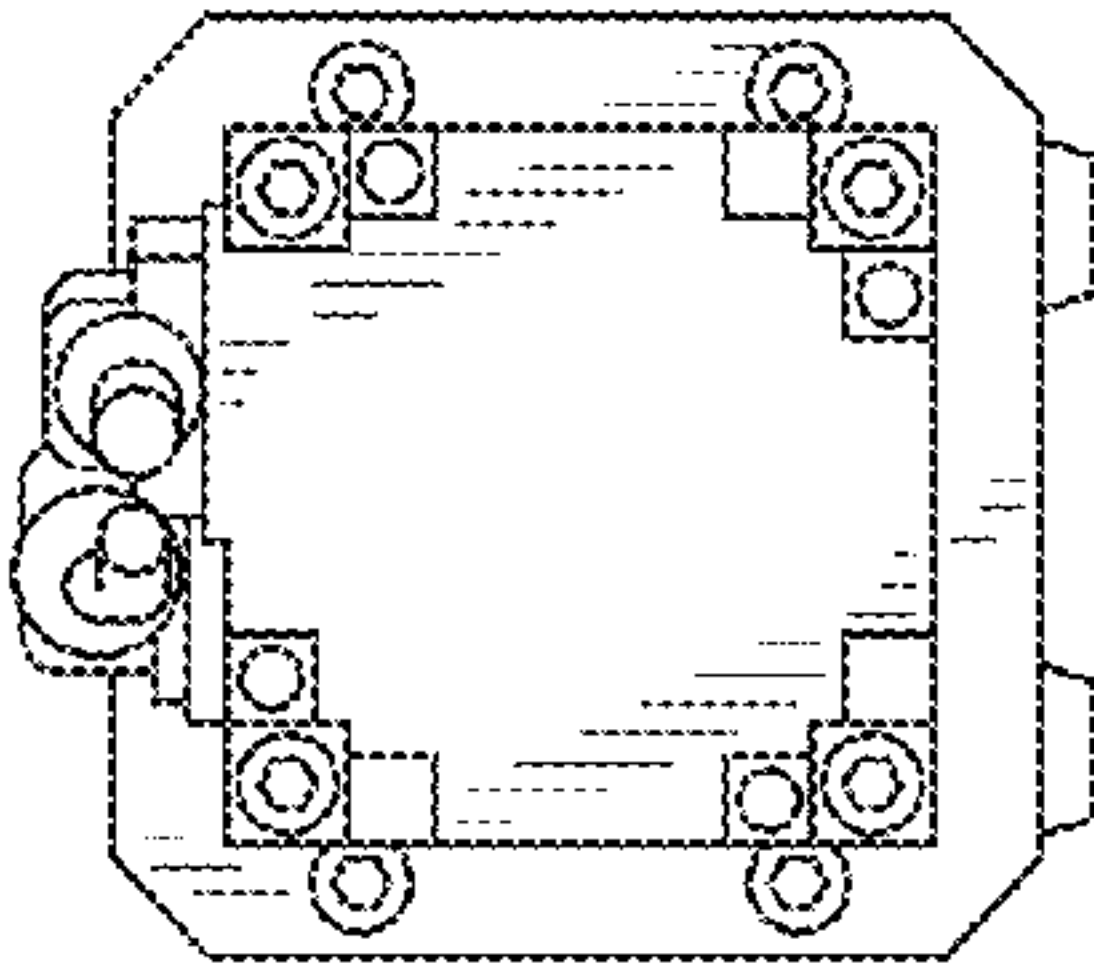


FIG. 4

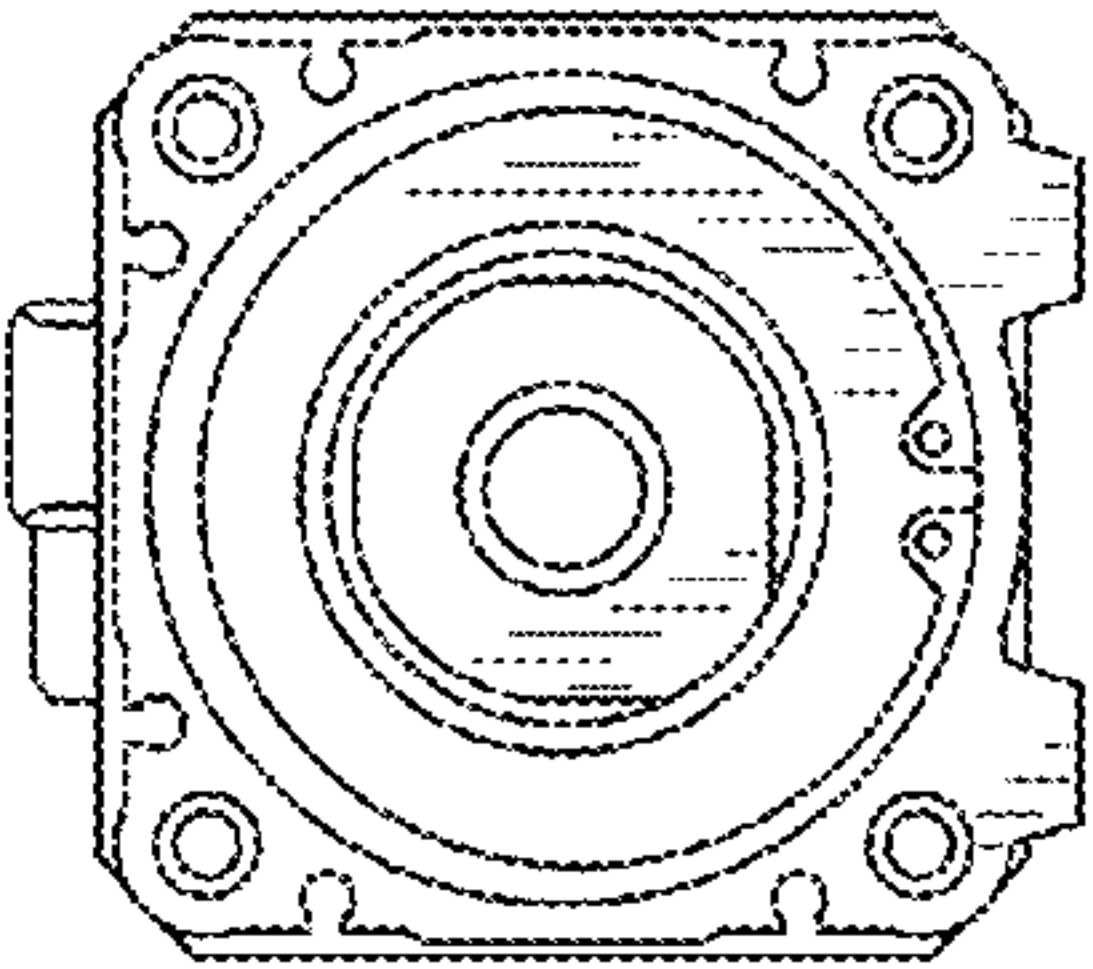


FIG. 5

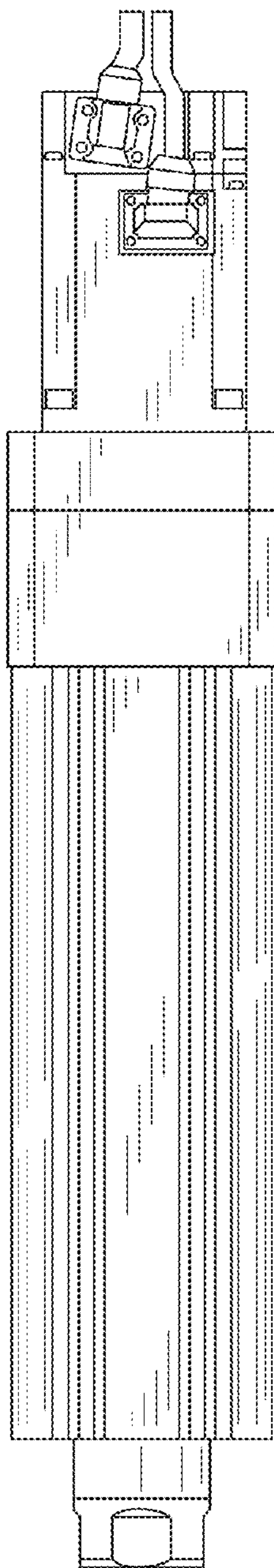


FIG. 6

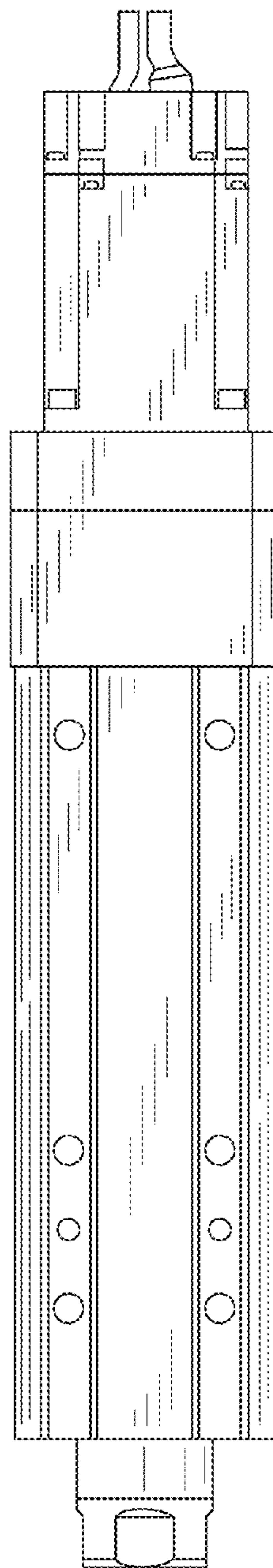


FIG. 7

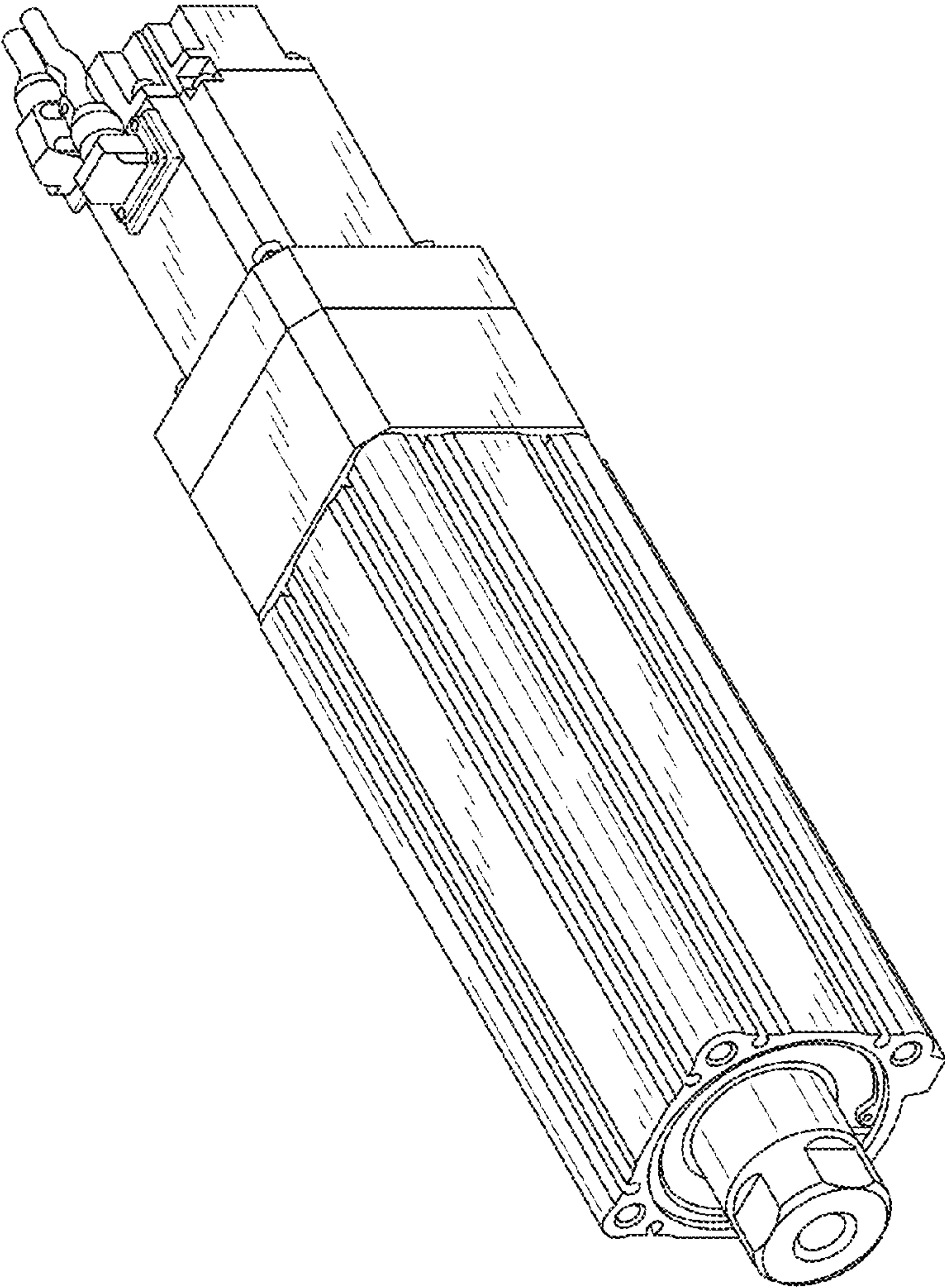


FIG. 8

