



US00D704233S

(12) **United States Design Patent**
Chu

(10) **Patent No.:** **US D704,233 S**

(45) **Date of Patent:** **** May 6, 2014**

(54) **CAP FOR AIR COMPRESSOR**

(71) Applicant: **Henry C. Chu**, Orange, CA (US)

(72) Inventor: **Henry C. Chu**, Orange, CA (US)

(**) Term: **14 Years**

(21) Appl. No.: **29/460,834**

(22) Filed: **Jul. 16, 2013**

(51) **LOC (10) Cl.** **15-02**

(52) **U.S. Cl.**
USPC **D15/9**

(58) **Field of Classification Search**
USPC D15/7-9; D23/231, 232, 225; 417/60,
417/235, 265, 321, 355, 358, 363, 359,
417/410.1, 415-416, 405, 900; 60/408,
60/412; 184/26-37; 415/140-147;
123/495, 509

See application file for complete search history.

(56) **References Cited**

U.S. PATENT DOCUMENTS

D529,928 S *	10/2006	Chu	D15/9
D537,843 S *	3/2007	Chu	D15/9
D541,820 S *	5/2007	Chu	D15/9
D678,343 S *	3/2013	Chen	D15/9
D678,915 S *	3/2013	Chen	D15/9
D685,000 S *	6/2013	Chen	D15/9
D685,004 S *	6/2013	Chen	D15/9

* cited by examiner

Primary Examiner — Ralf Seifert

(74) *Attorney, Agent, or Firm* — Charles E. Baxley

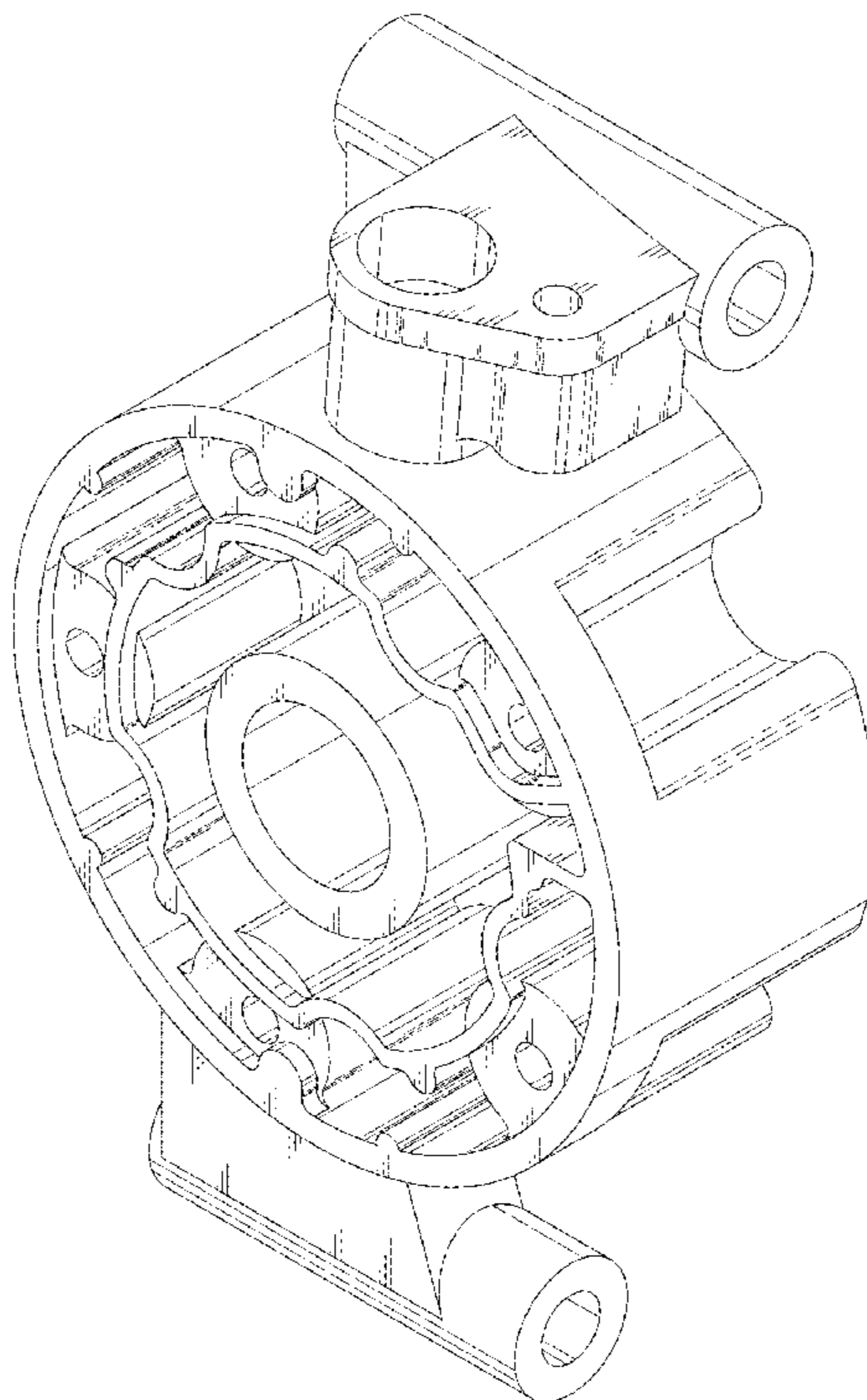
(57) **CLAIM**

The ornamental design for a cap for air compressor, as shown and described.

DESCRIPTION

FIG. 1 is a front and upper perspective view of a cap for air compressor showing my new design;
 FIG. 2 is a front elevational view thereof;
 FIG. 3 is a rear elevational view thereof;
 FIG. 4 is a top plan view thereof;
 FIG. 5 is a bottom plan view thereof;
 FIG. 6 is a left side elevational view thereof;
 FIG. 7 is a right side elevational view thereof;
 FIG. 8 is a rear and upper perspective view thereof;
 FIG. 9 is a front and bottom perspective view thereof;
 FIG. 10 is a front and upper perspective view thereof, the openings depicted by means of broken lines being for illustrative purposes only and forming no part of the claimed design;
 FIG. 11 is a front elevational view thereof, the openings and the protrusions depicted by means of broken lines being for illustrative purposes only and forming no part of the claimed design; and,
 FIG. 12 is a rear and upper perspective view thereof, the opening and the chambers depicted by means of broken lines being for illustrative purposes only and forming no part of the claimed design.

1 Claim, 10 Drawing Sheets



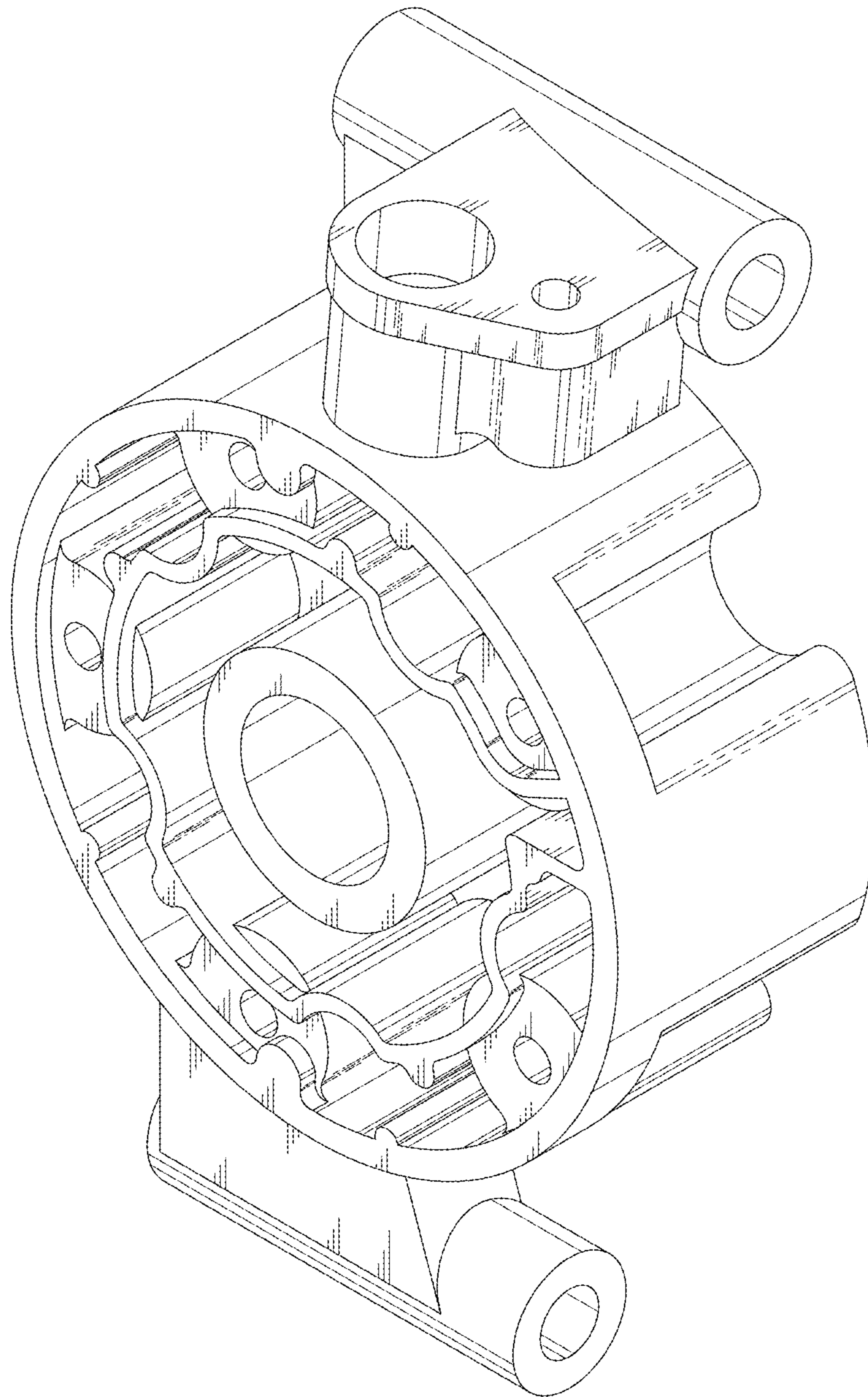


FIG. 1

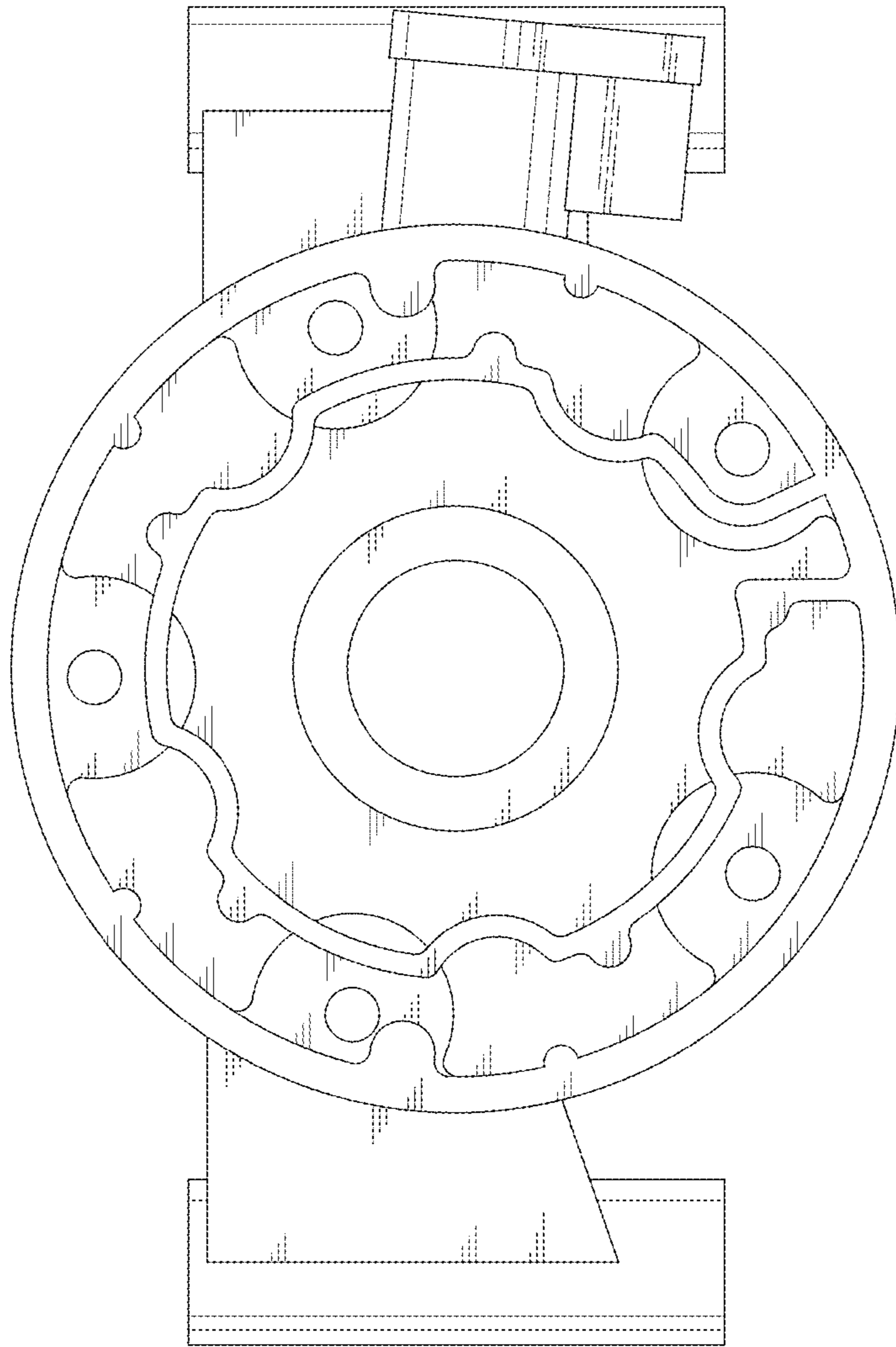


FIG. 2

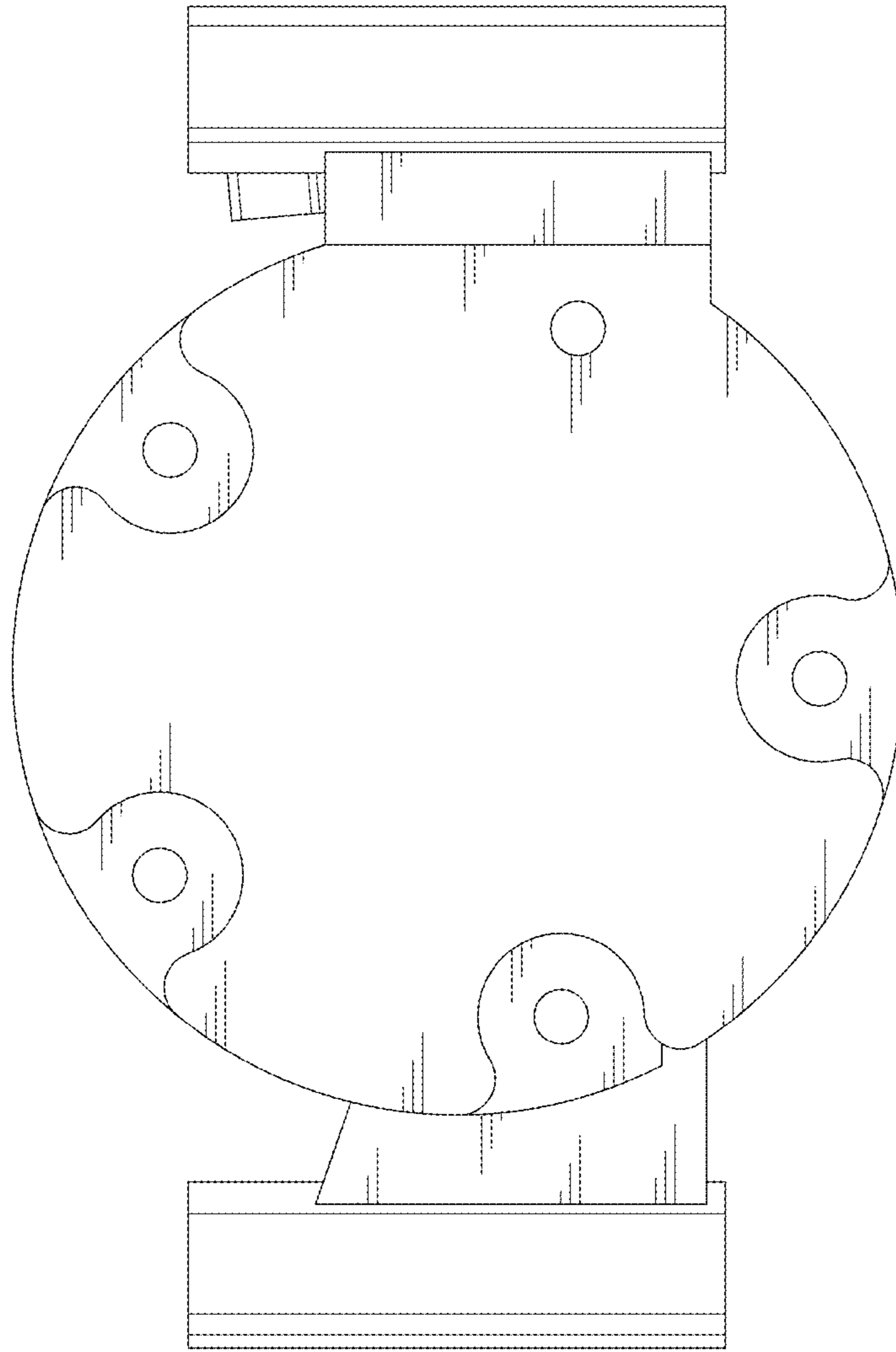


FIG. 3

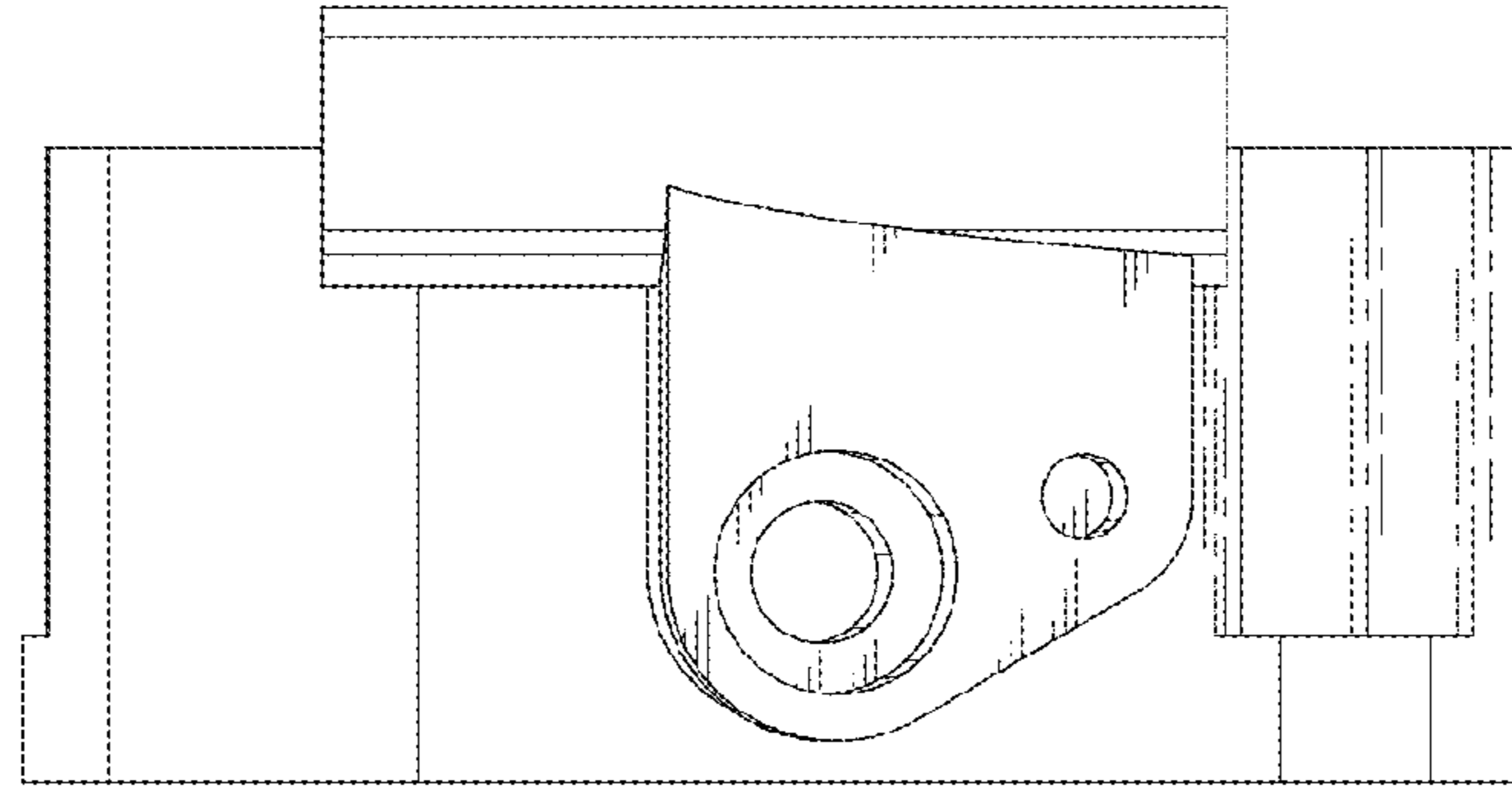


FIG. 4

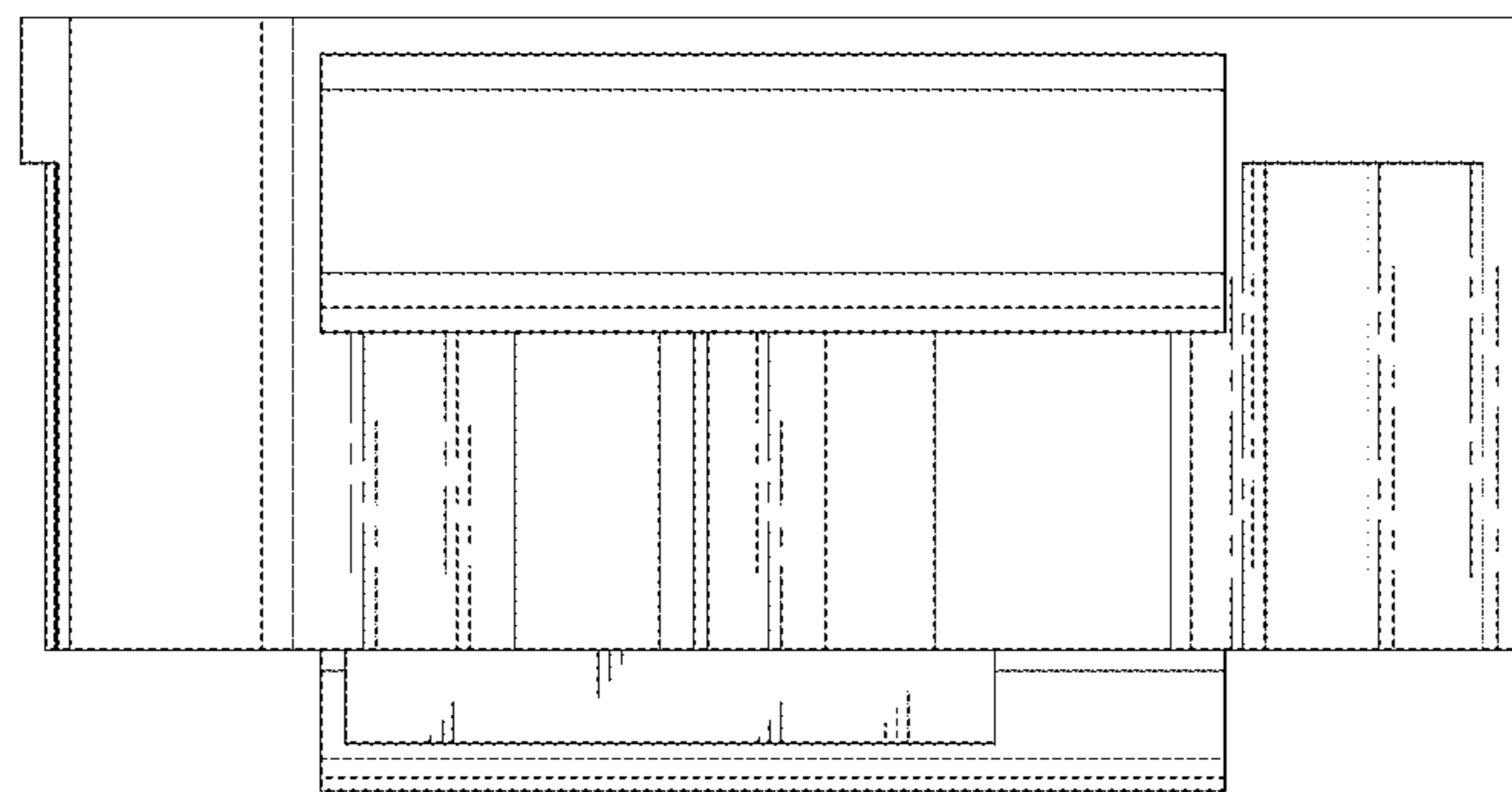


FIG. 5

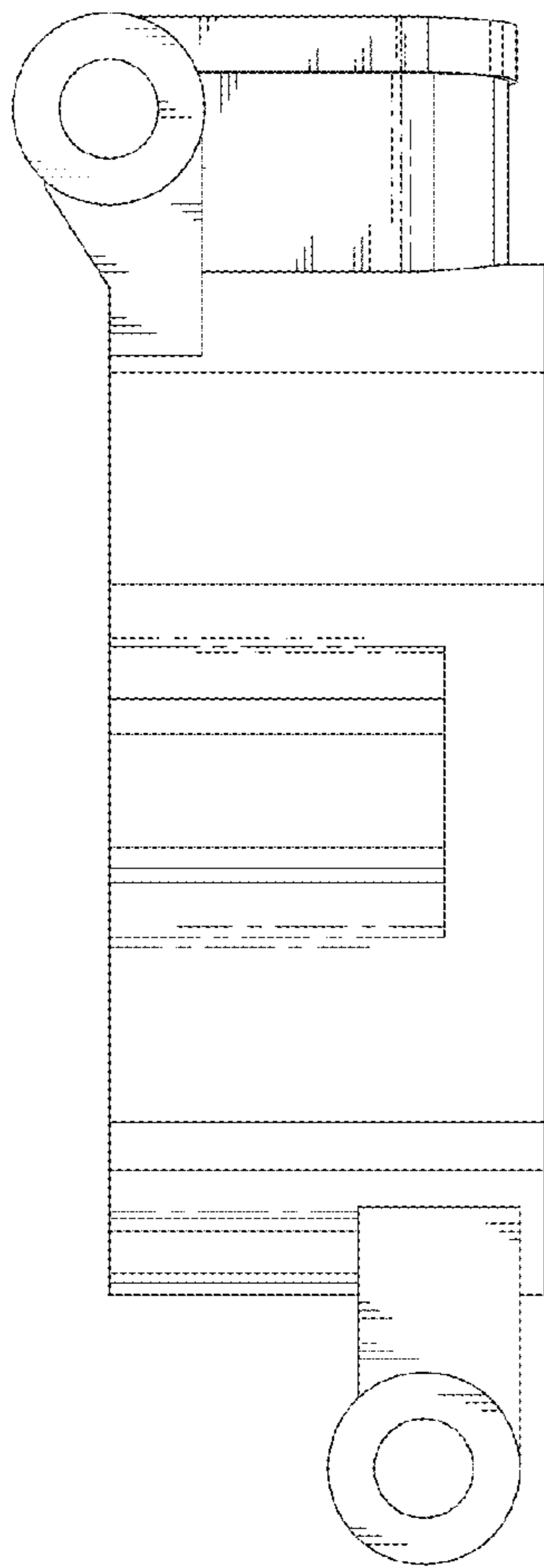


FIG. 6

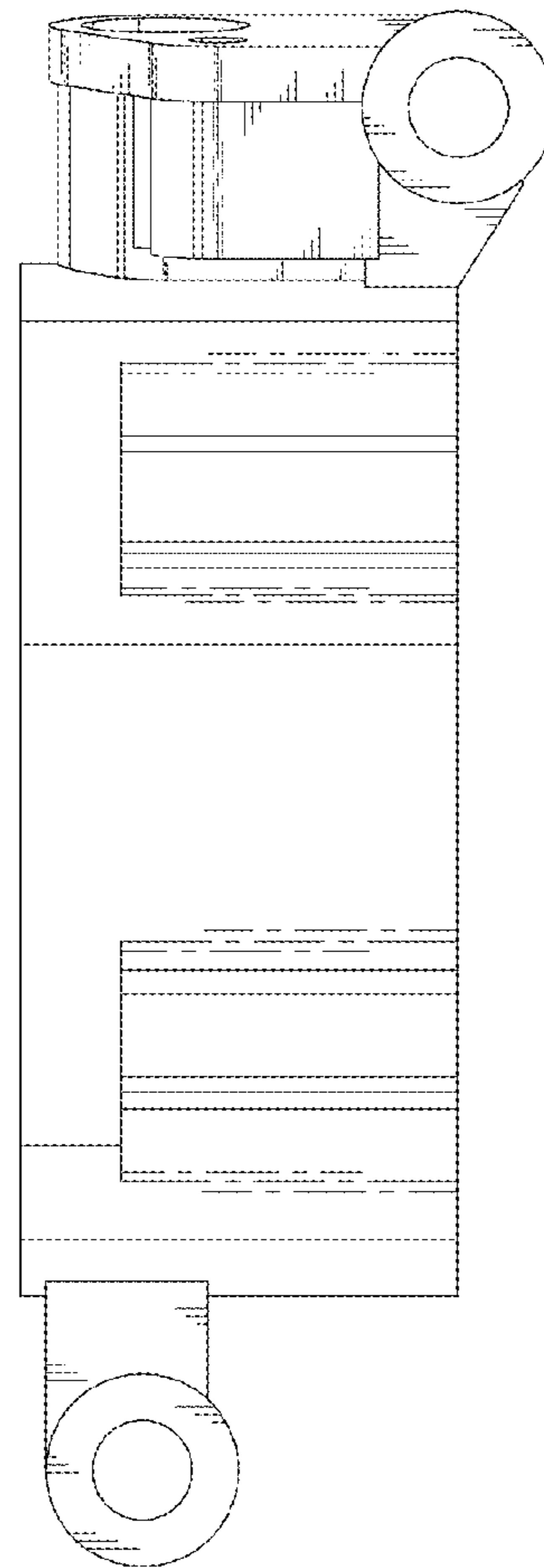


FIG. 7

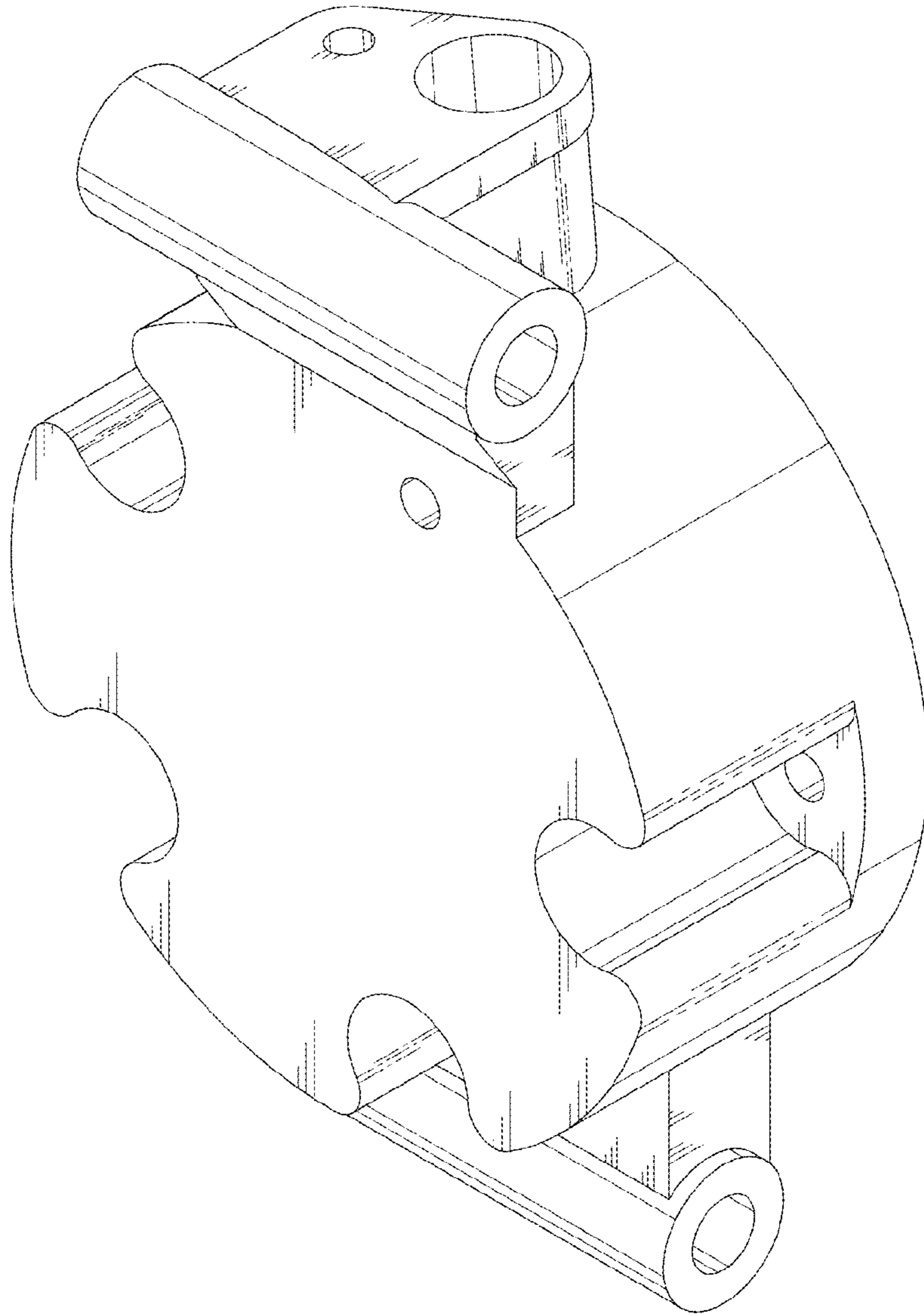


FIG. 8

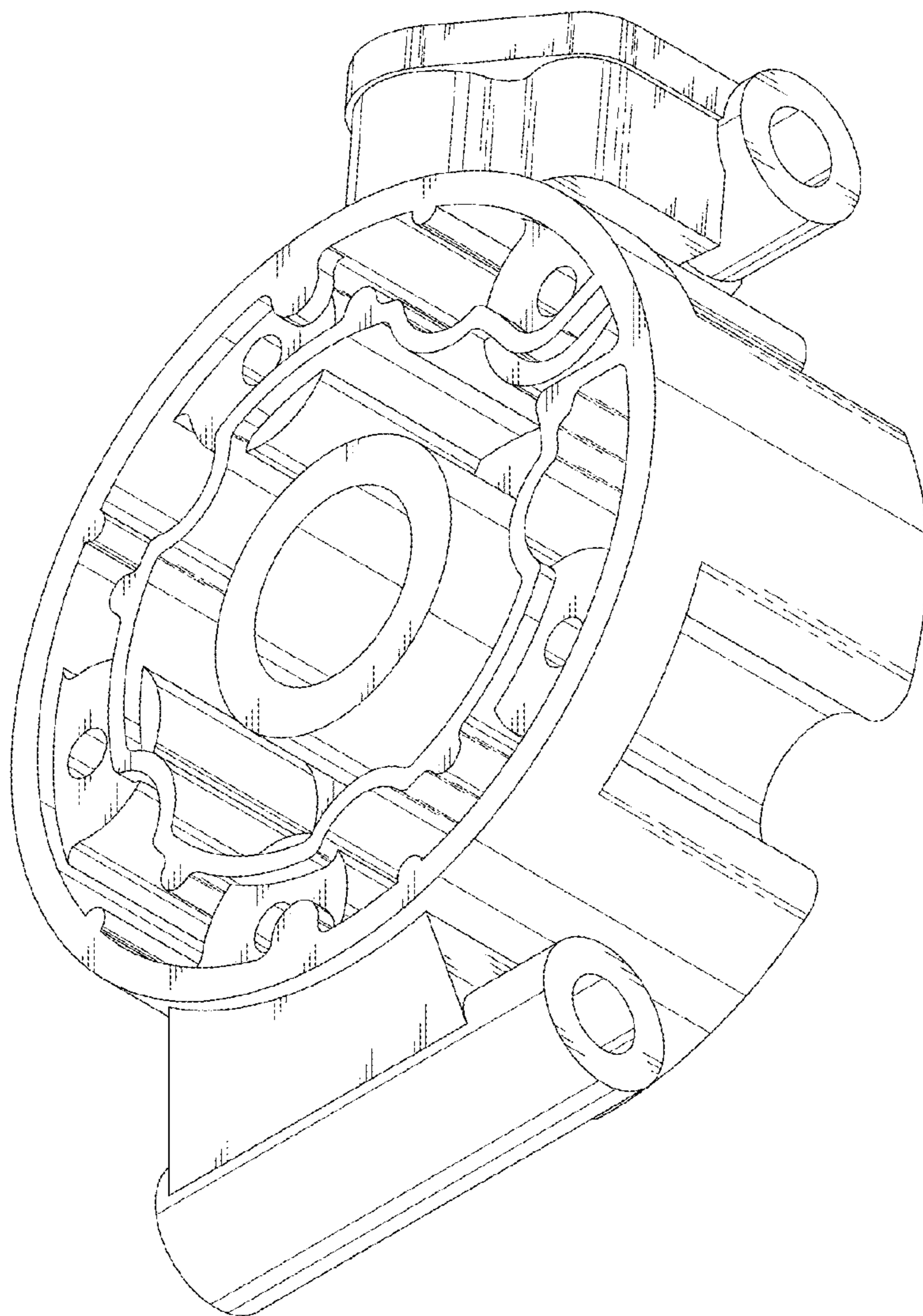


FIG. 9

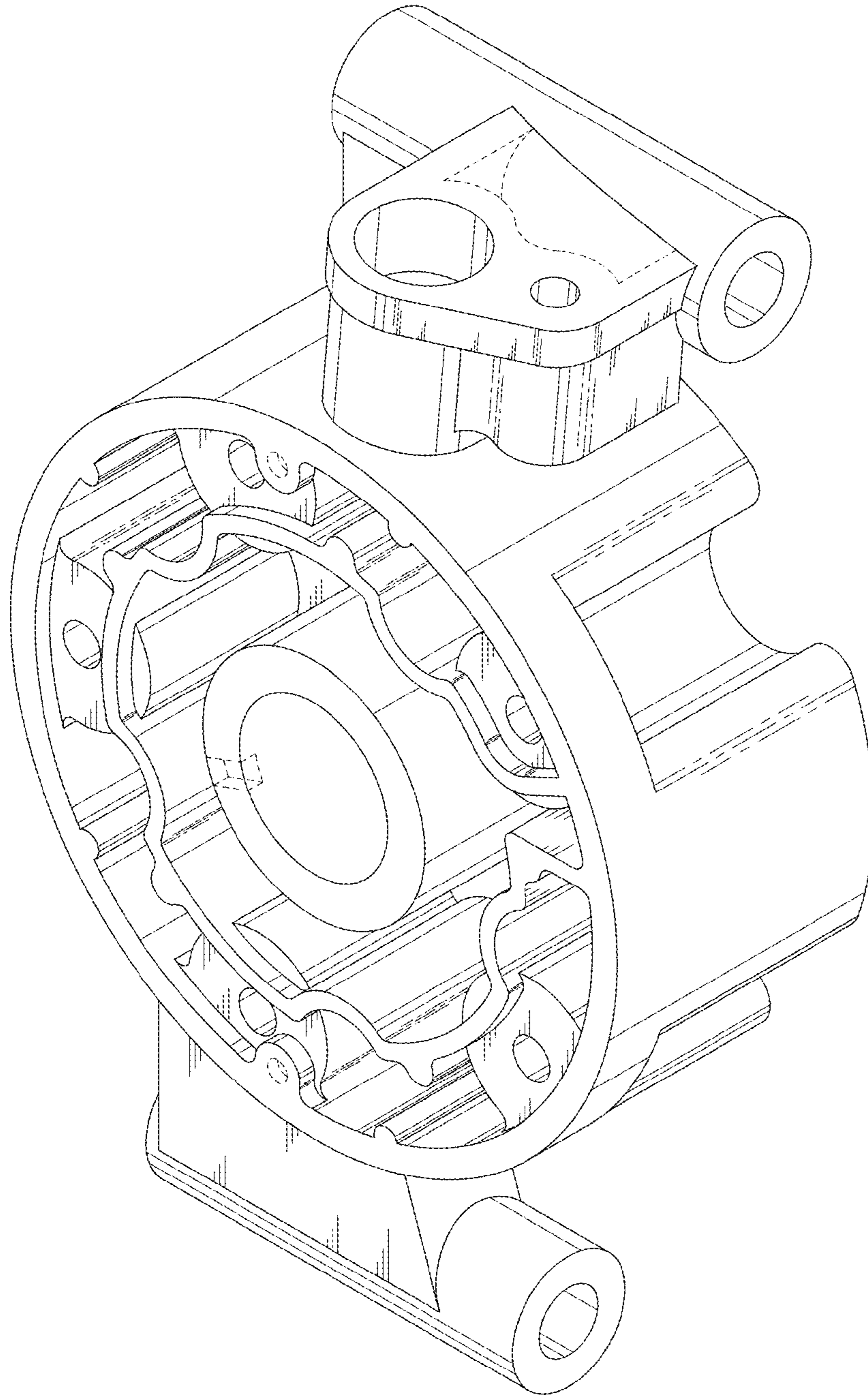


FIG. 10

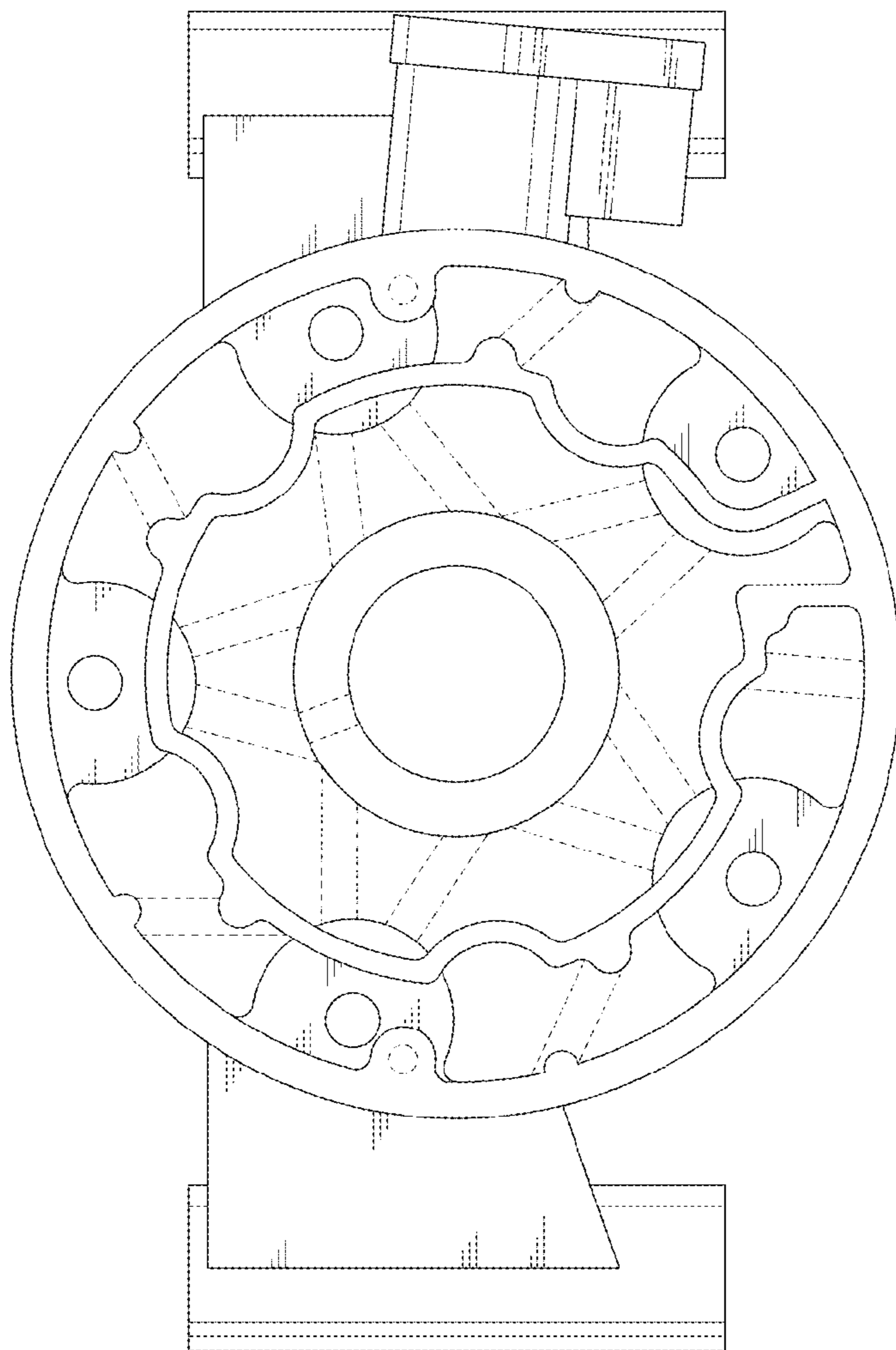


FIG. 11

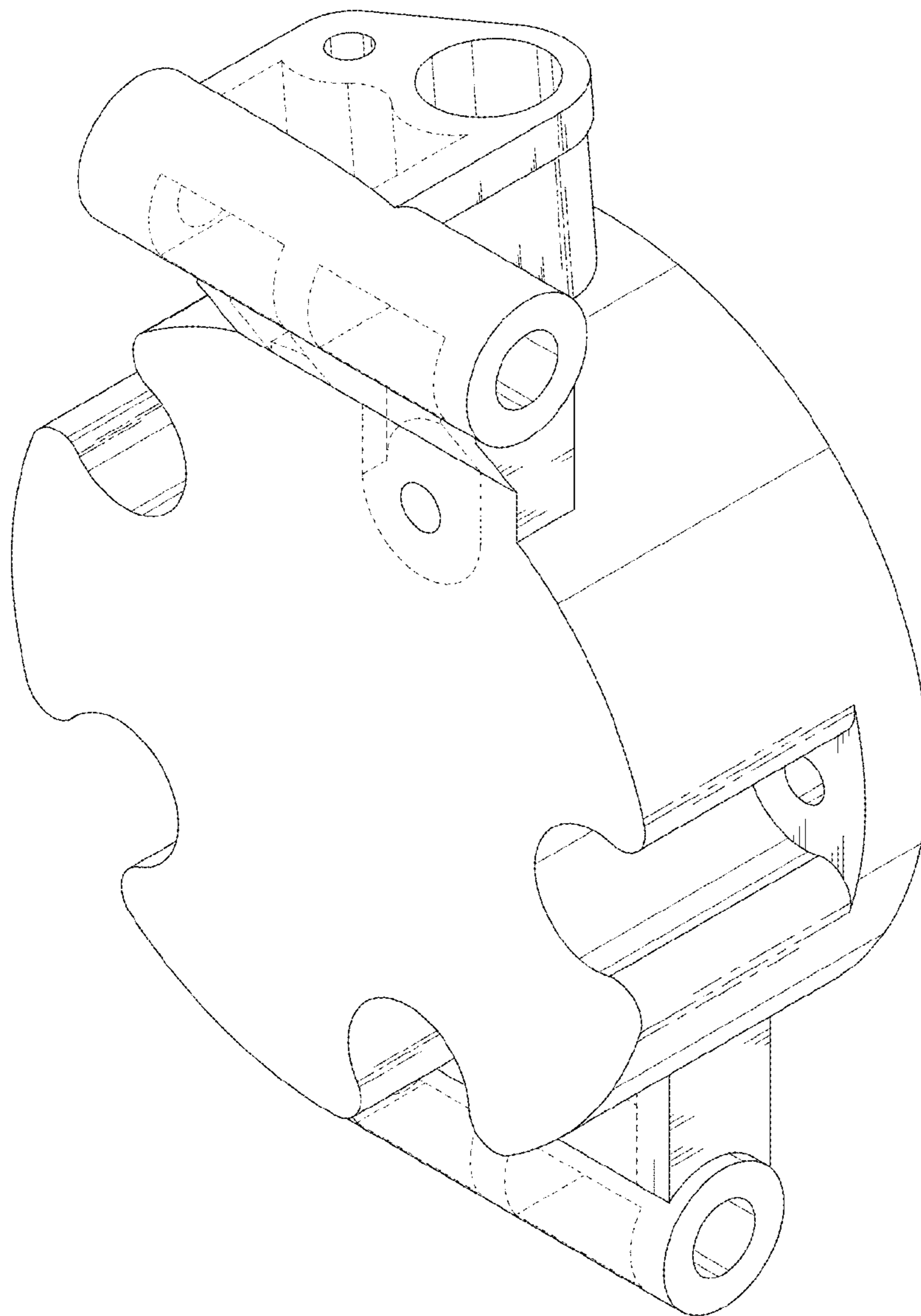


FIG. 12