



US00D704231S

(12) **United States Design Patent**
Chen

(10) **Patent No.:** **US D704,231 S**

(45) **Date of Patent:** **** May 6, 2014**

(54) **AIR COMPRESSOR CYLINDER HOUSING**

D685,000 S * 6/2013 Chen D15/9
D685,004 S * 6/2013 Chen D15/9

* cited by examiner

(71) Applicant: **Chun Lan Chen**, Xingling (CN)

Primary Examiner — Ralf Seifert

(72) Inventor: **Chun Lan Chen**, Xingling (CN)

(74) *Attorney, Agent, or Firm* — Charles E. Baxley

(**) Term: **14 Years**

(57) **CLAIM**

(21) Appl. No.: **29/460,832**

The ornamental design for an air compressor cylinder housing, as shown and described.

DESCRIPTION

(22) Filed: **Jul. 16, 2013**

(51) **LOC (10) Cl.** **15-02**

(52) **U.S. Cl.**
USPC **D15/9**

(58) **Field of Classification Search**
USPC D15/7-9; D23/231, 232, 225; 417/60,
417/235, 265, 321, 355, 358, 363, 359,
417/410.1, 415-416, 405, 900; 60/408,
60/412; 184/26-37; 415/140-147;
123/495, 509

See application file for complete search history.

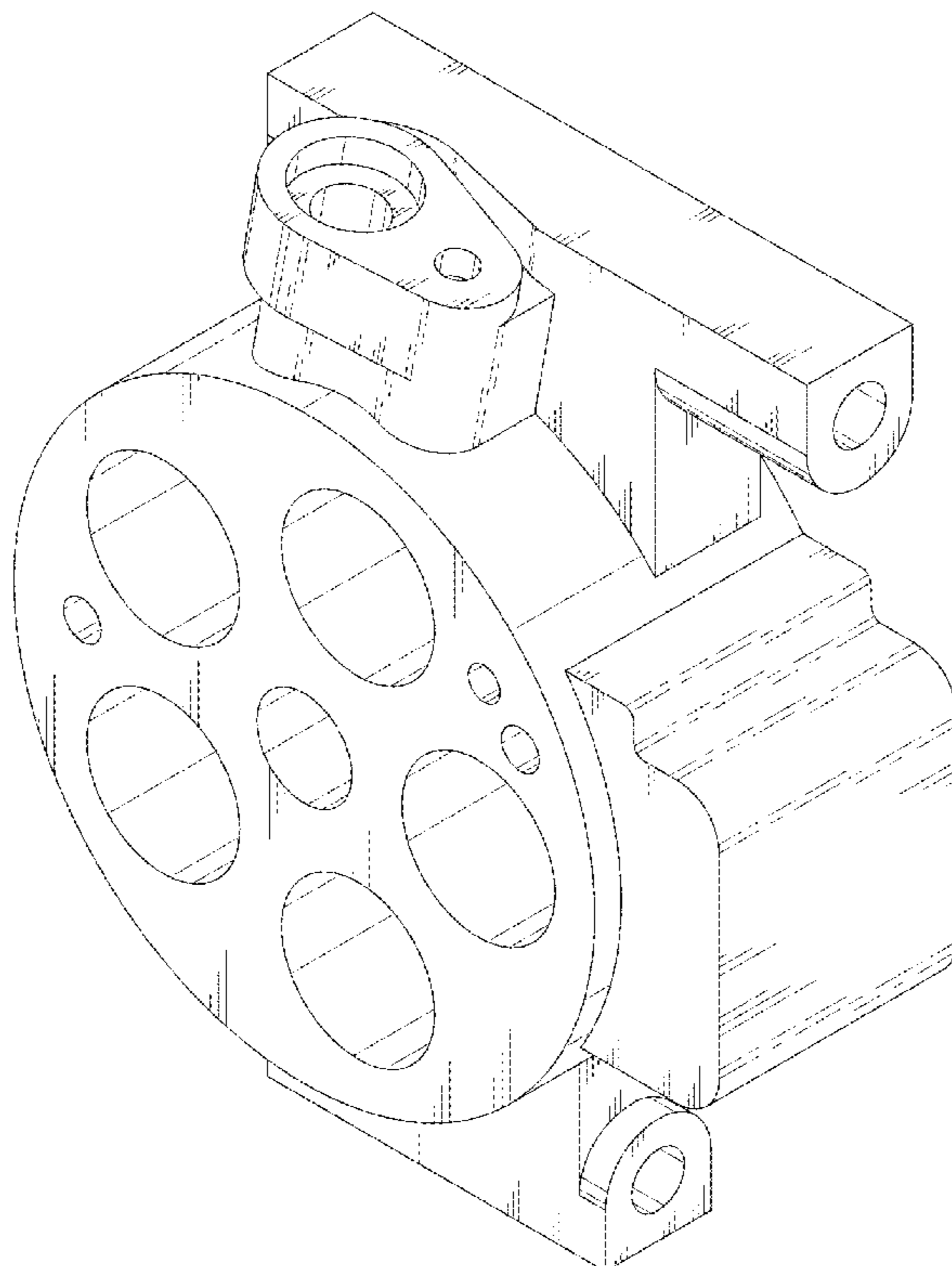
FIG. 1 is a front and upper perspective view of an air compressor cylinder housing showing my new design; FIG. 2 is a front elevational view thereof; FIG. 3 is a rear elevational view thereof; FIG. 4 is a top plan view thereof; FIG. 5 is a bottom plan view thereof; FIG. 6 is a left side elevational view thereof; FIG. 7 is a right side elevational view thereof; and FIG. 8 is a rear and upper perspective view thereof; FIG. 9 is a rear and bottom perspective view thereof; FIG. 10 is a front and upper perspective view thereof, the openings and the depressions and the protrusions depicted by means of broken lines being for illustrative purposes only and forming no part of the claimed design; and, FIG. 11 is a rear and upper perspective view thereof, the openings and the depressions and the protrusions depicted by means of broken lines being for illustrative purposes only and forming no part of the claimed design.

(56) **References Cited**

U.S. PATENT DOCUMENTS

D541,820 S * 5/2007 Chu D15/9
D678,343 S * 3/2013 Chen D15/9
D678,915 S * 3/2013 Chen D15/9

1 Claim, 9 Drawing Sheets



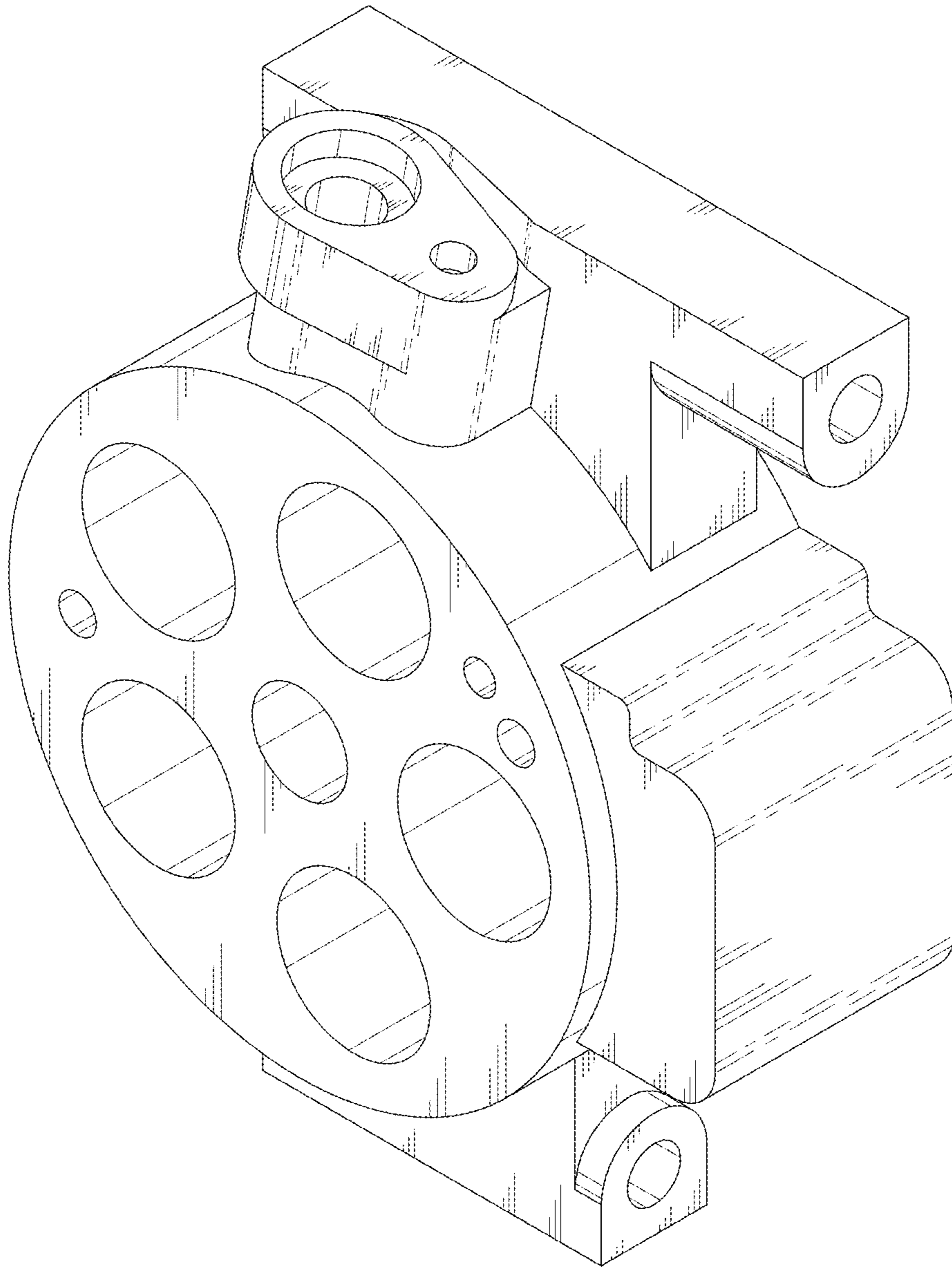


FIG. 1

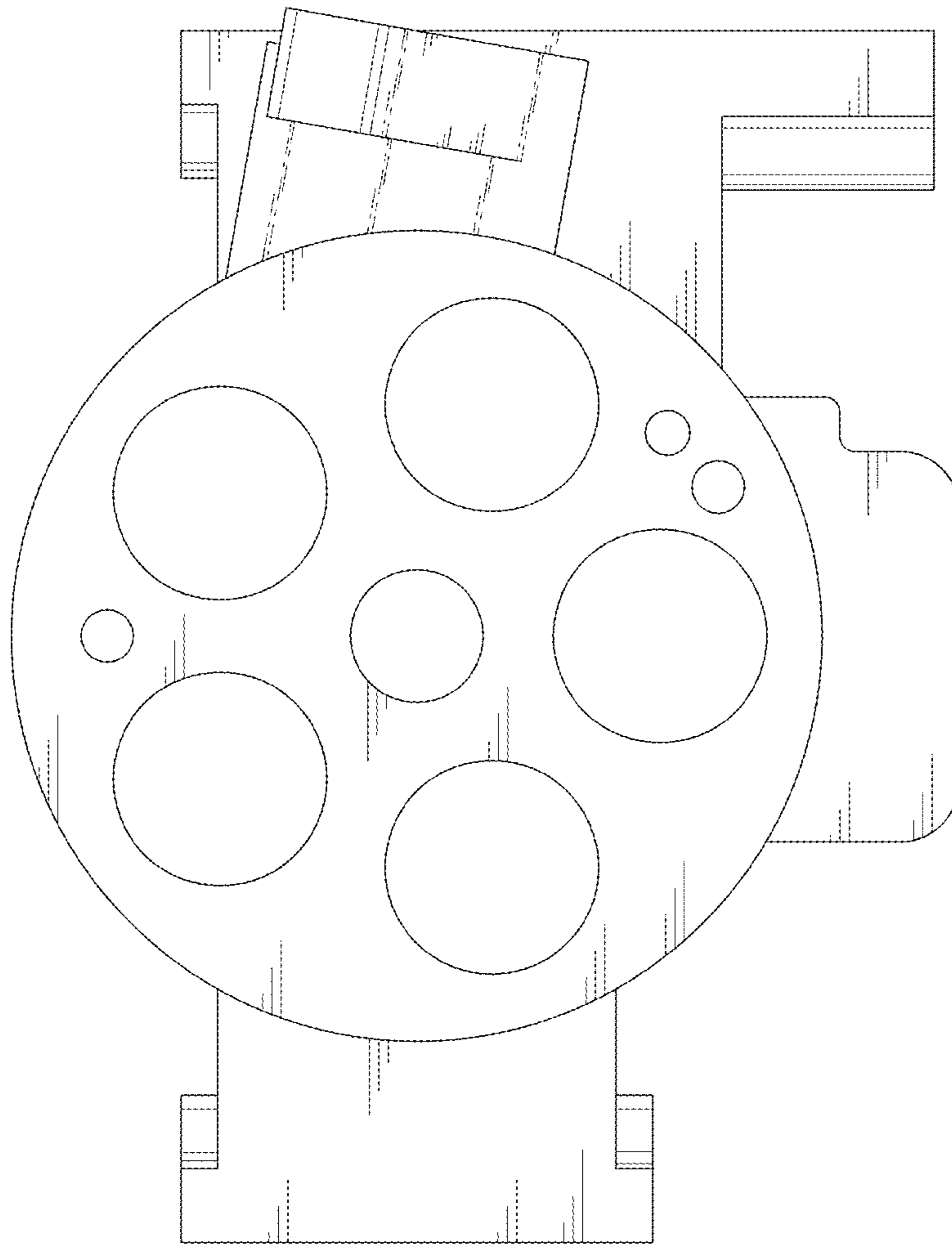


FIG. 2

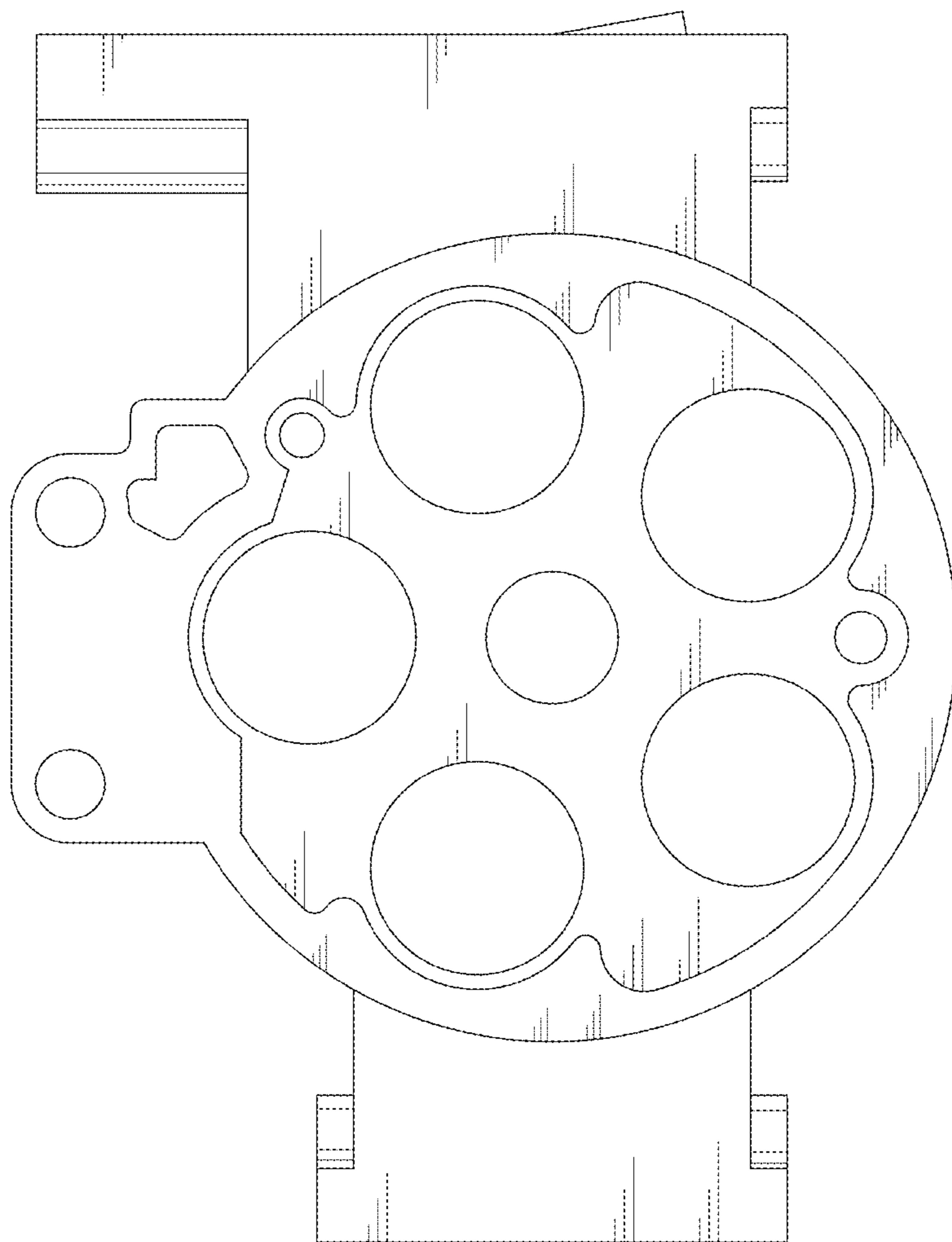


FIG. 3

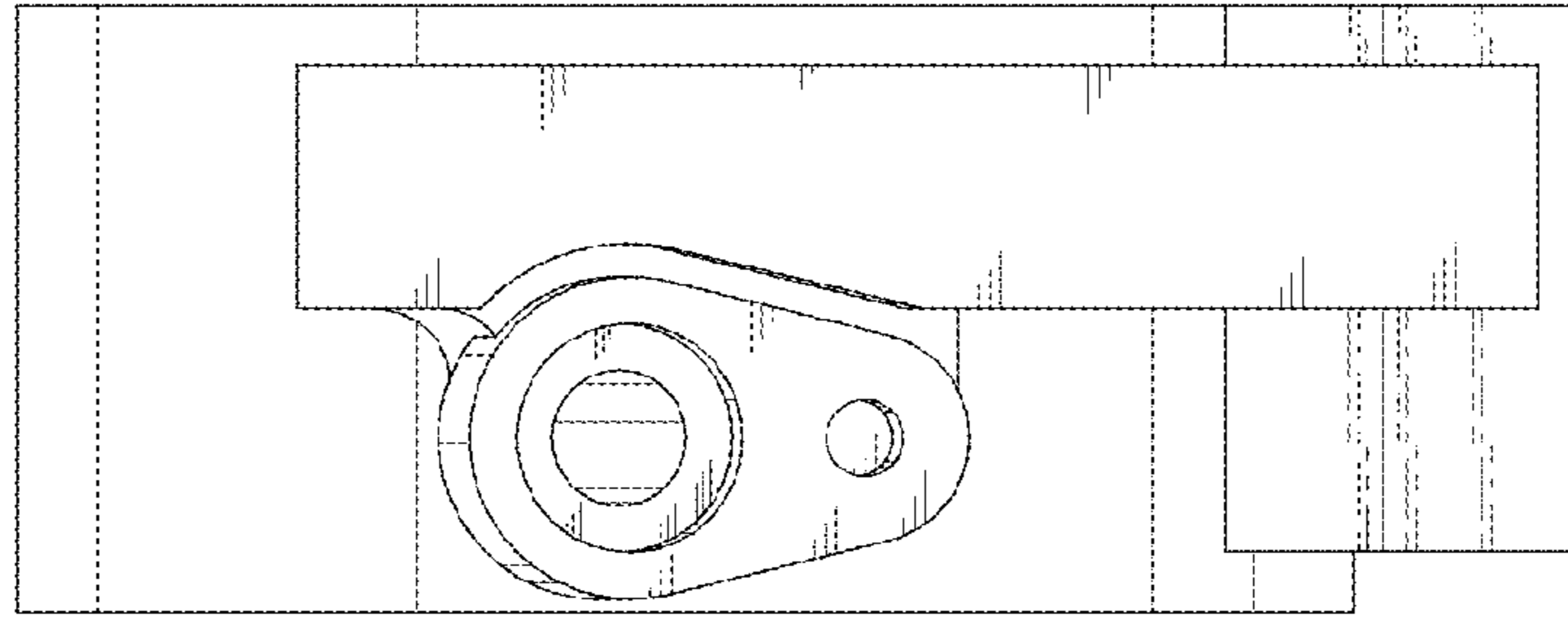


FIG. 4

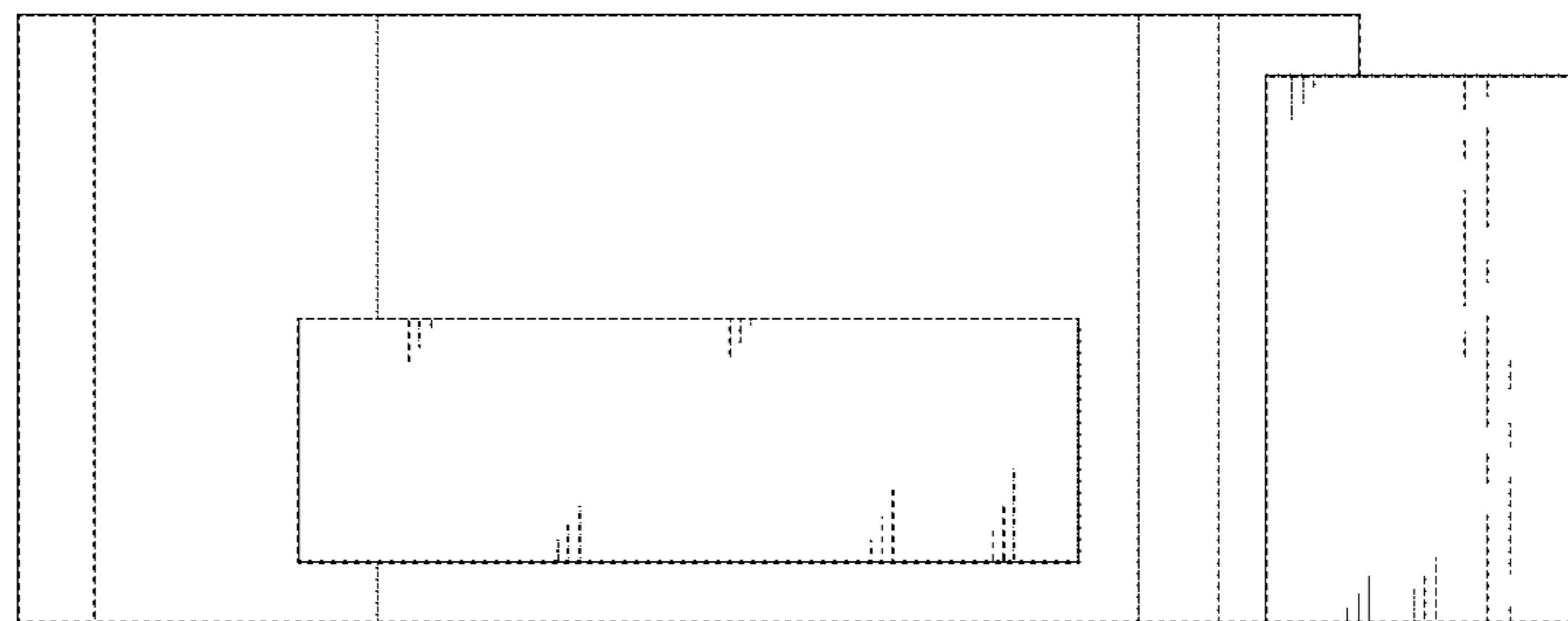


FIG. 5

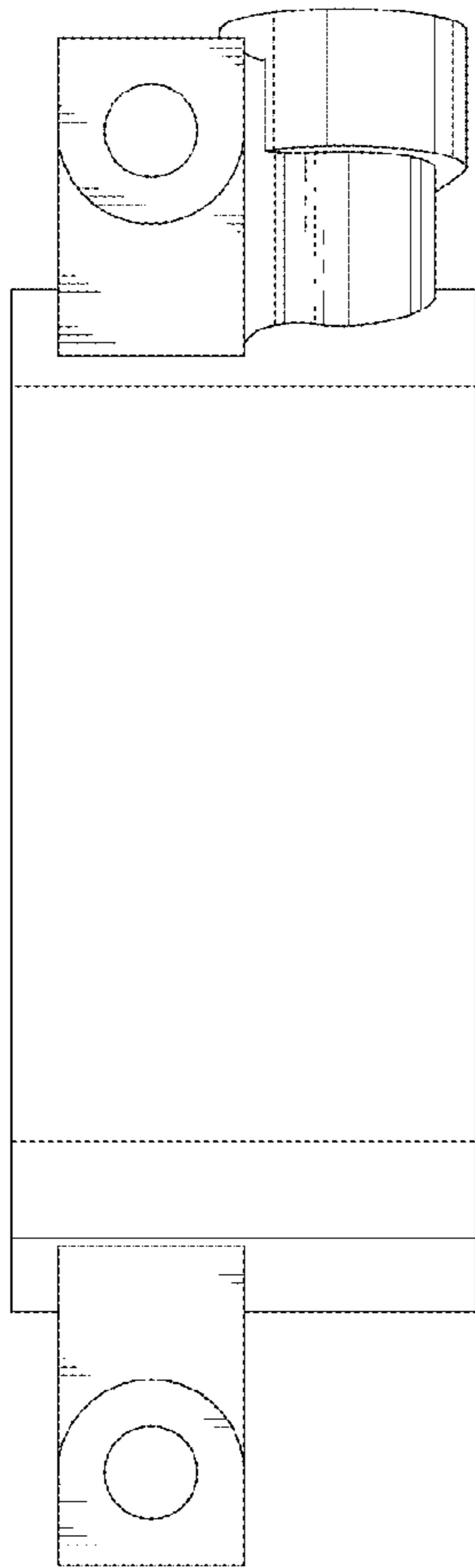


FIG. 6

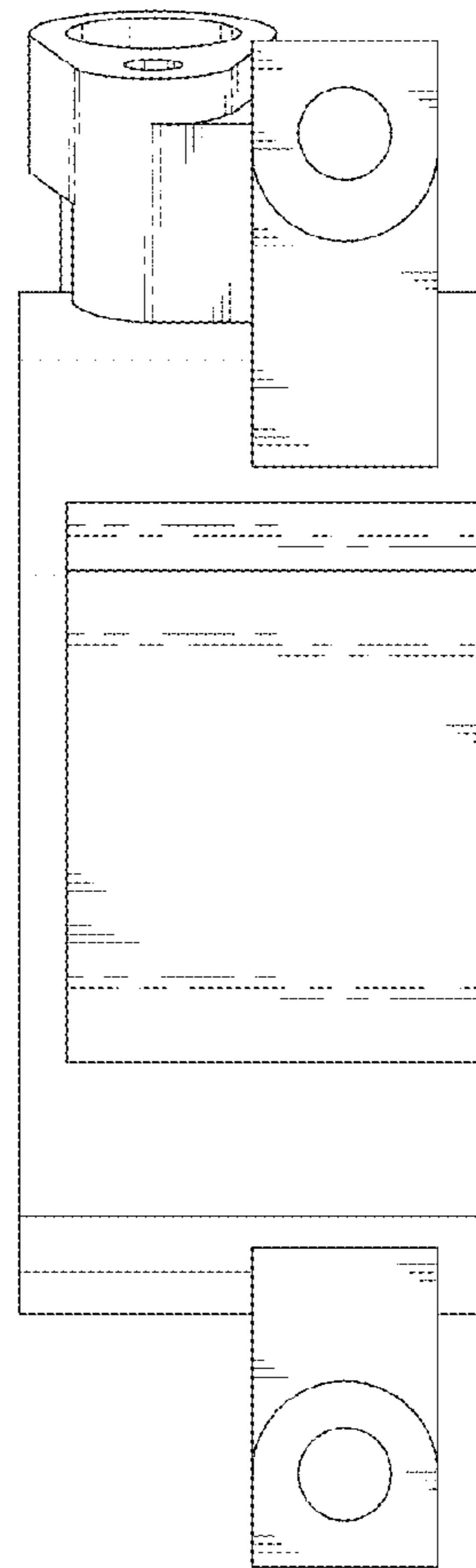


FIG. 7

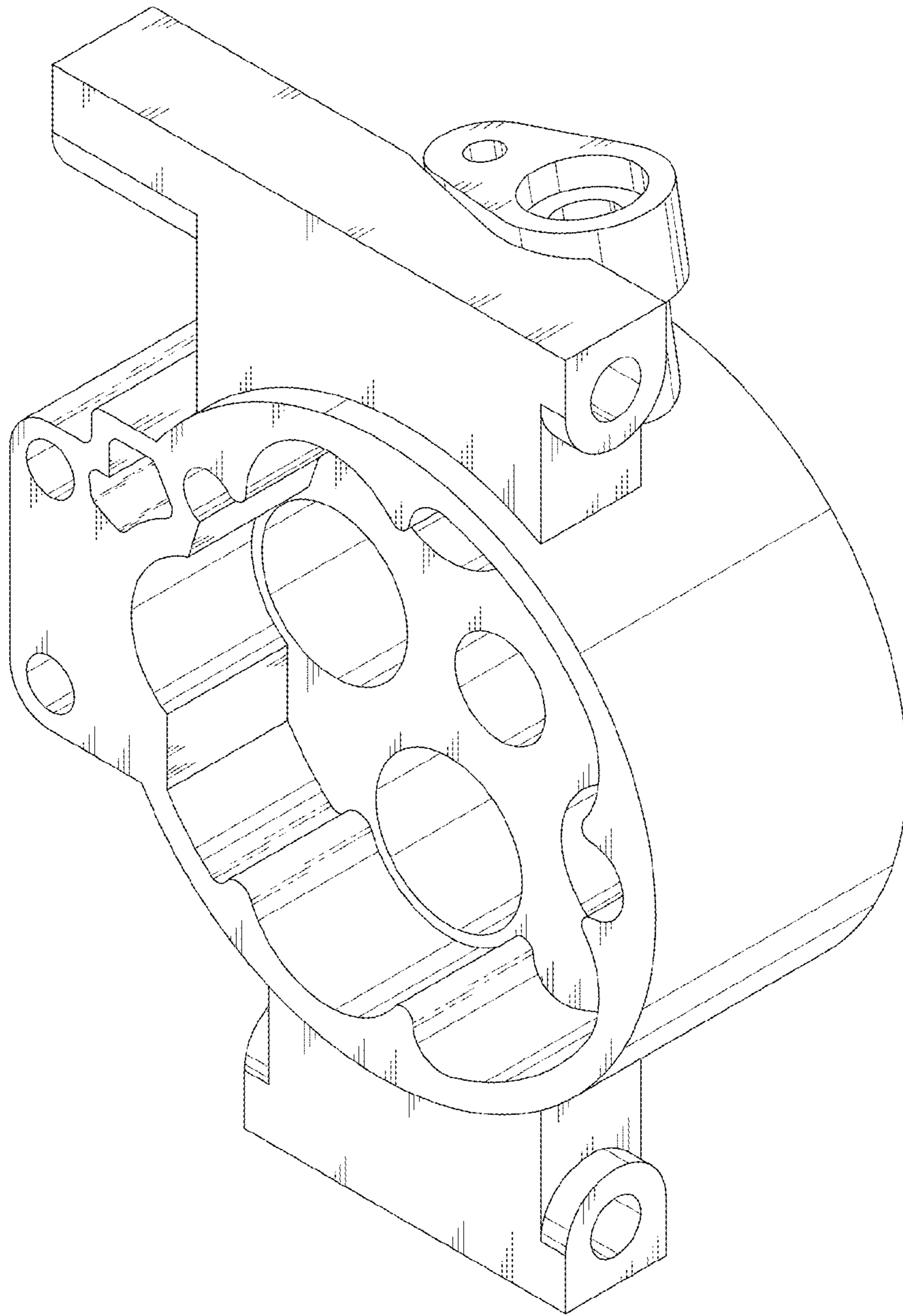


FIG. 8

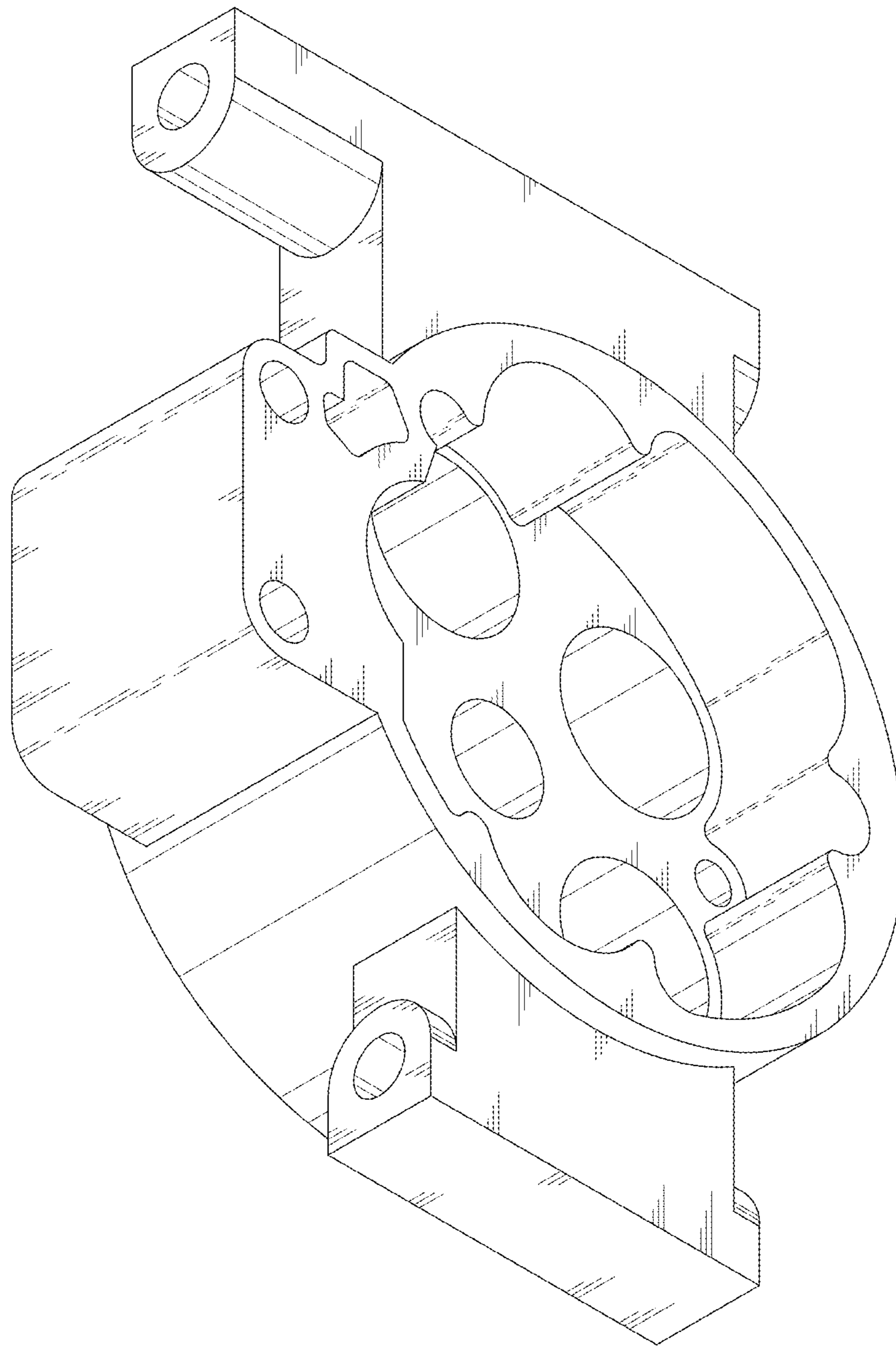


FIG. 9

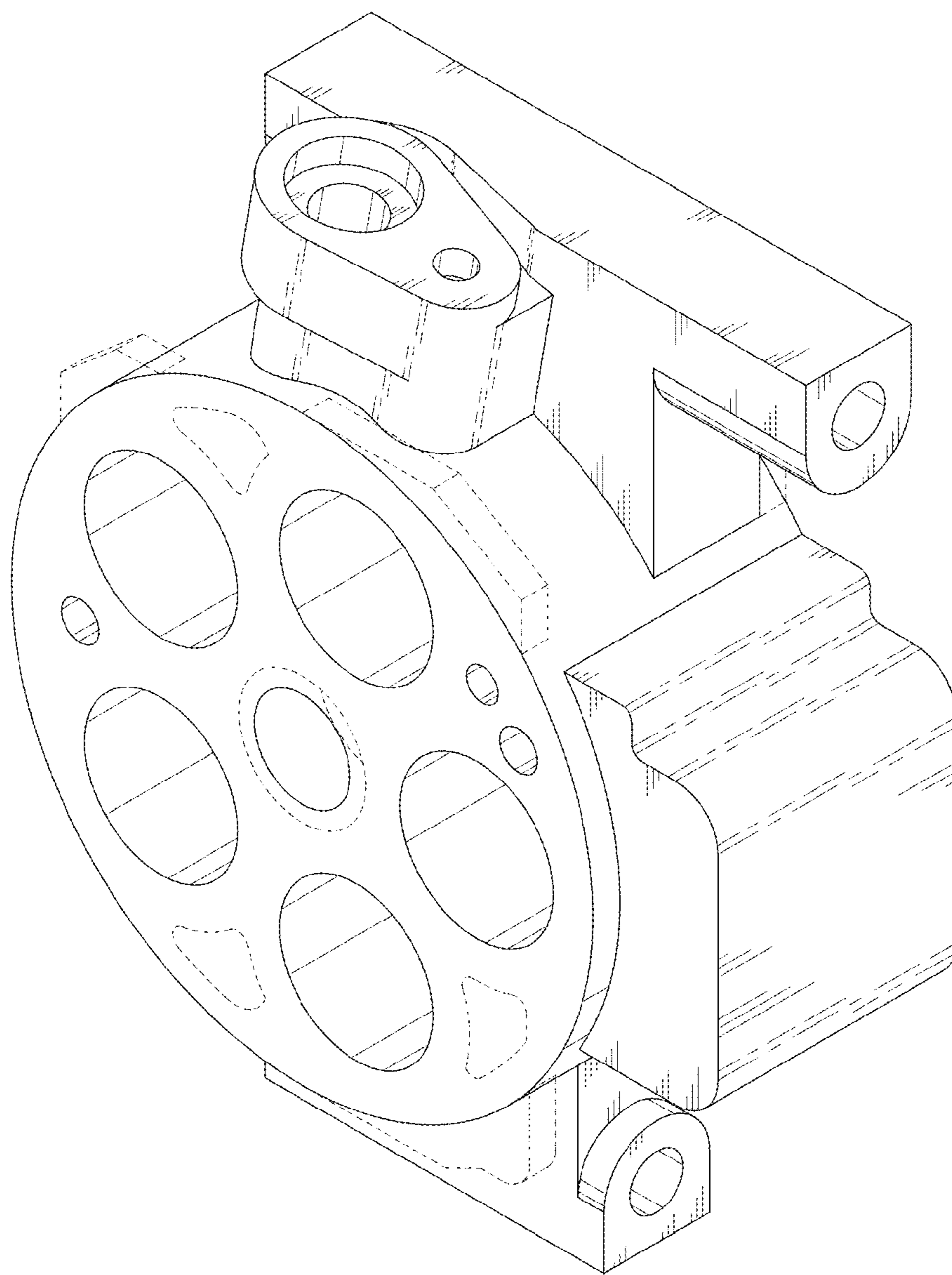


FIG. 10

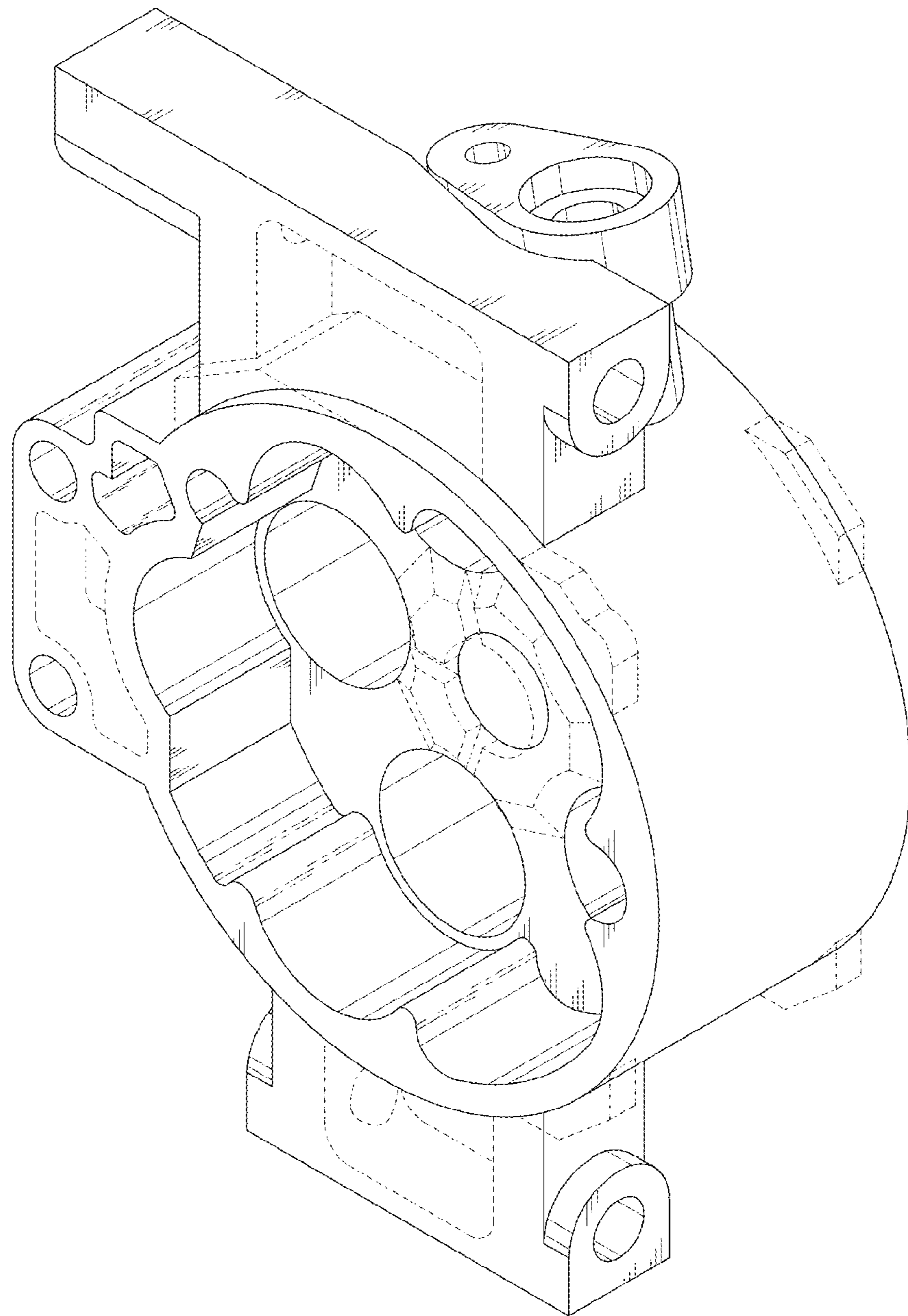


FIG. 11