



US00D704230S

(12) **United States Design Patent**
Nam

(10) **Patent No.:** **US D704,230 S**

(45) **Date of Patent:** **** May 6, 2014**

(54) **COMPRESSOR FOR AUTOMOBILES**

(71) Applicant: **GCS, Inc., Ltd, Kimhae (KR)**

(72) Inventor: **Taek Kyun Nam, Pusan (KR)**

(73) Assignee: **GCS, Inc., Ltd, Kimhae (KR)**

(**) Term: **14 Years**

(21) Appl. No.: **29/436,853**

(22) Filed: **Nov. 9, 2012**

(30) **Foreign Application Priority Data**

May 10, 2012 (KR) 30-2012-0022877

(51) **LOC (10) Cl.** **15-02**

(52) **U.S. Cl.**
USPC **D15/9**

(58) **Field of Classification Search**
USPC D15/7-9; D23/231, 232, 225; 417/60,
417/235, 265, 321, 355, 358, 363, 359,
417/410.1, 415-416, 405, 900; 60/408,
60/412; 184/26-37; 415/140-147;
123/495, 509
See application file for complete search history.

(56) **References Cited**

U.S. PATENT DOCUMENTS

D659,168 S * 5/2012 Chen D15/9
D659,169 S * 5/2012 Chen D15/9

D659,170 S * 5/2012 Chen D15/9
D659,171 S * 5/2012 Chen D15/9
D678,341 S * 3/2013 Chen D15/9
D678,343 S * 3/2013 Chen D15/9
D678,349 S * 3/2013 Chen D15/9
D678,915 S * 3/2013 Chen D15/9
D685,000 S * 6/2013 Chen D15/9

* cited by examiner

Primary Examiner — Ralf Seifert

(74) *Attorney, Agent, or Firm* — Ladas & Parry LLP

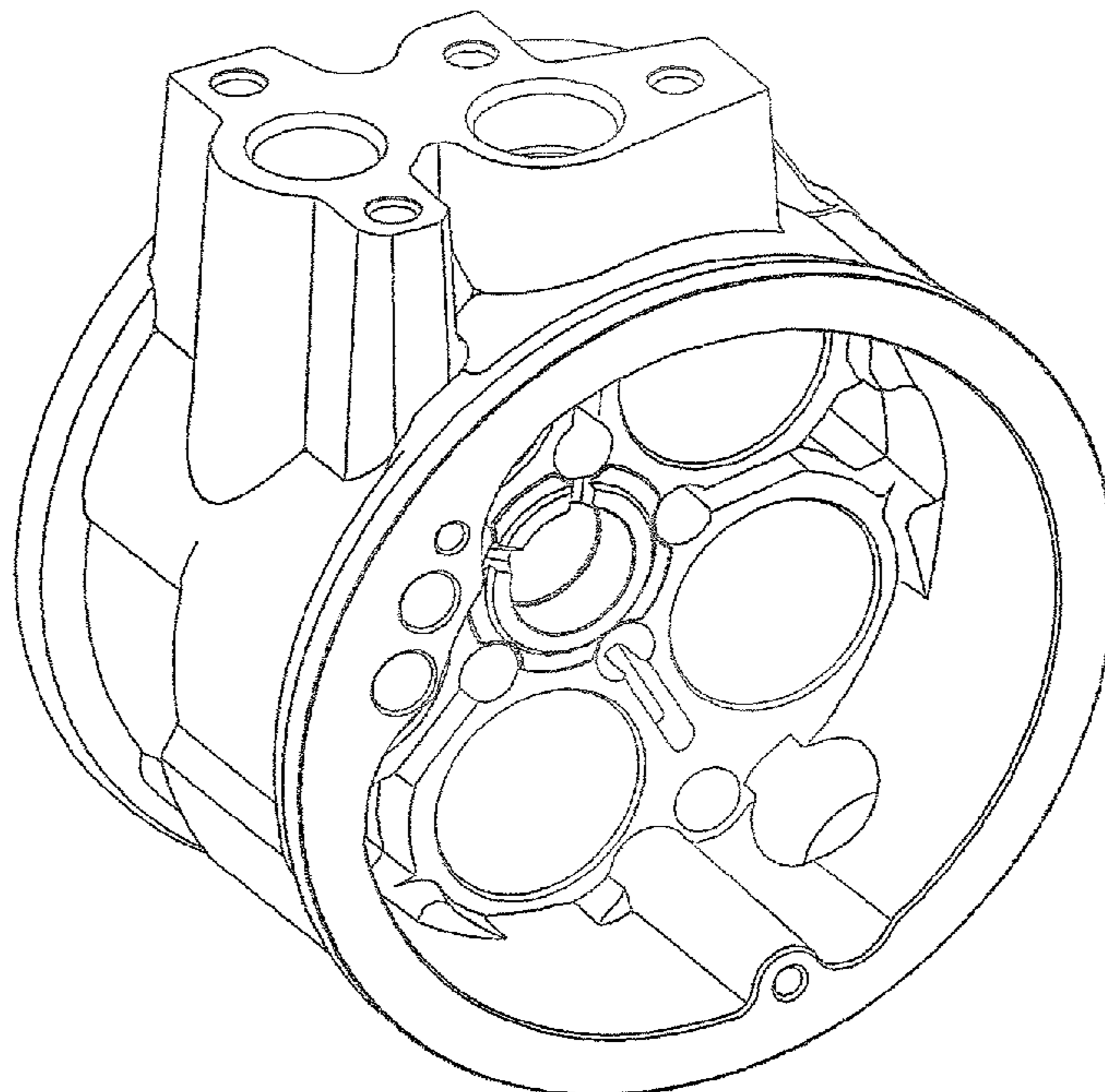
(57) **CLAIM**

I claim the ornamental design for a compressor for automobiles, as shown and described.

DESCRIPTION

FIG. 1 is a front/left-side/top perspective view of a compressor for automobiles showing my new design; FIG. 2 is a front-side elevational view thereof; FIG. 3 is a rear-side elevational view thereof; FIG. 4 is a left-side elevational view thereof; FIG. 5 is a right-side elevational view thereof; FIG. 6 is a top-side elevational view thereof; and, FIG. 7 is a bottom-side elevational view thereof. The broken lines are included for the purpose of illustrating portions of the compressor for automobiles that form no part of the claimed design.

1 Claim, 6 Drawing Sheets



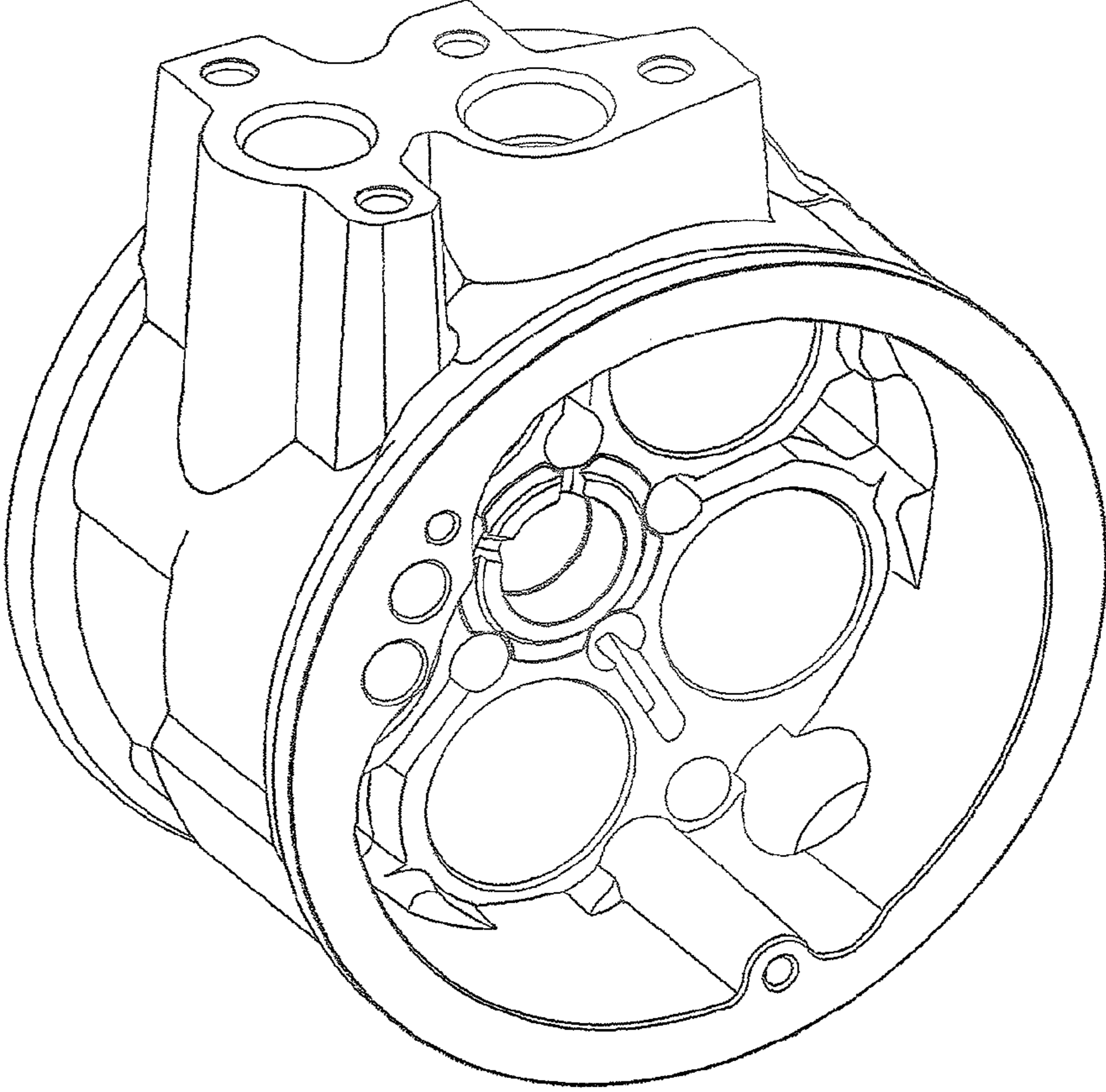


FIG.1

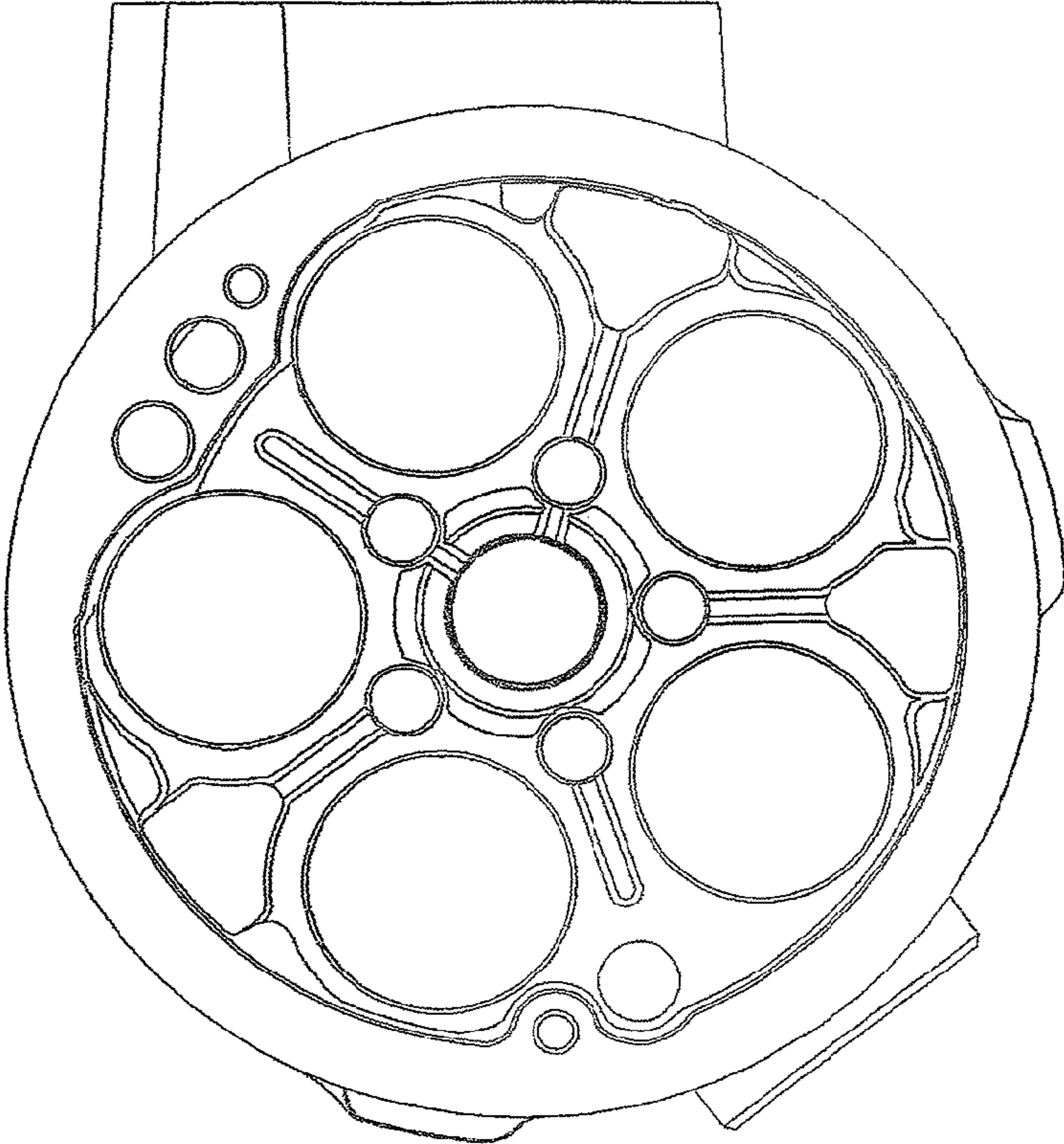


FIG.2

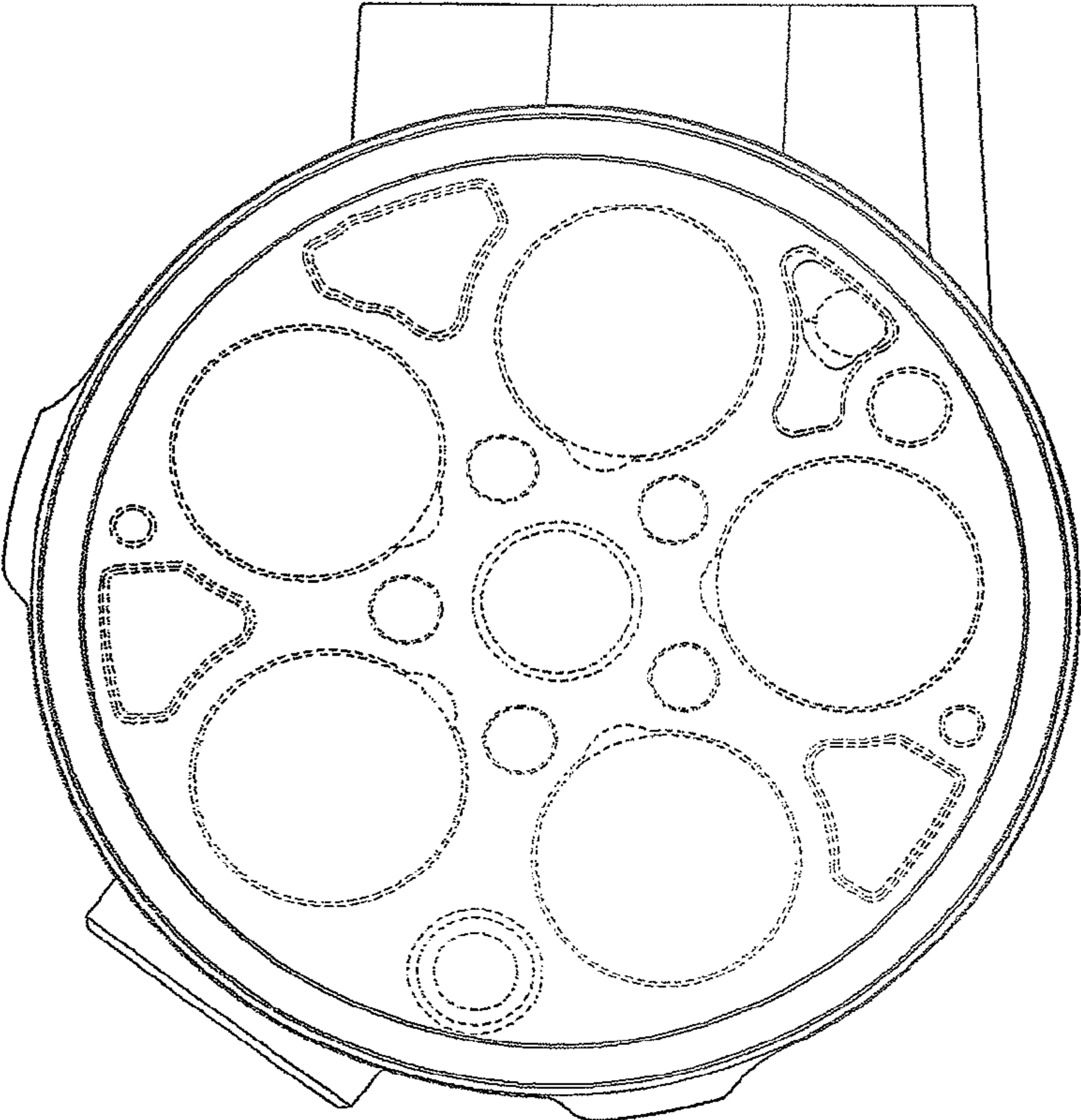


FIG. 3

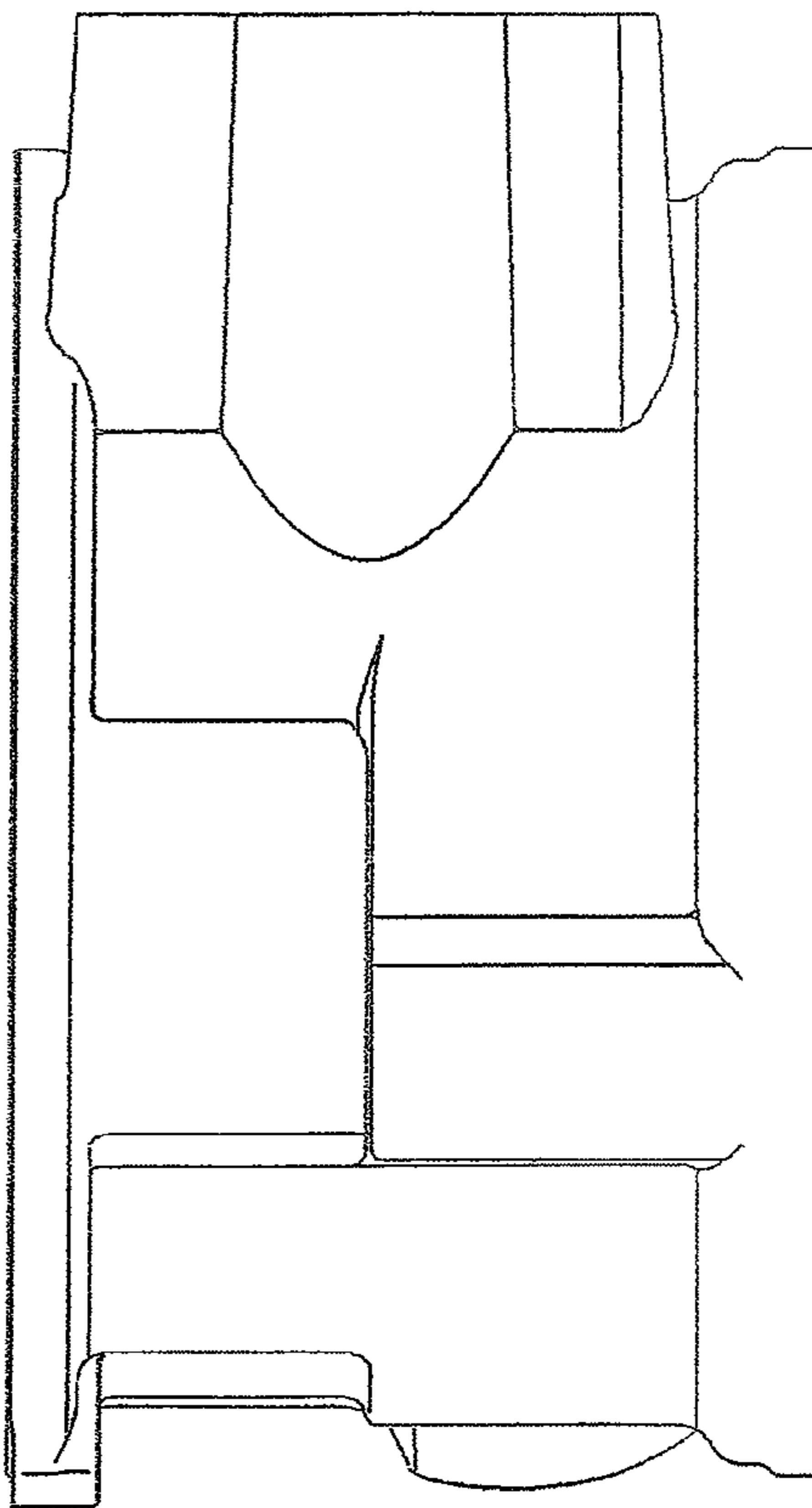


FIG.4

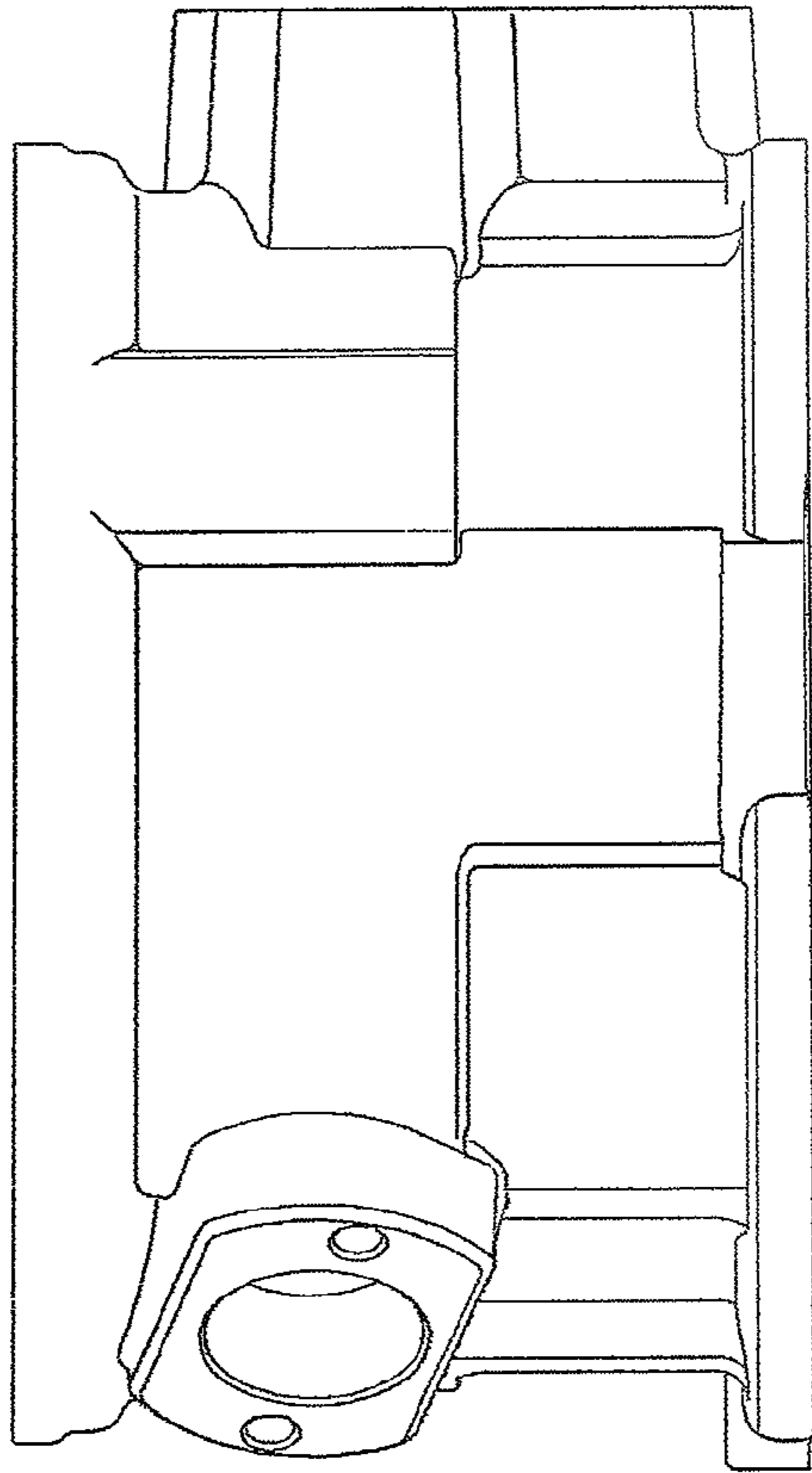


FIG. 5

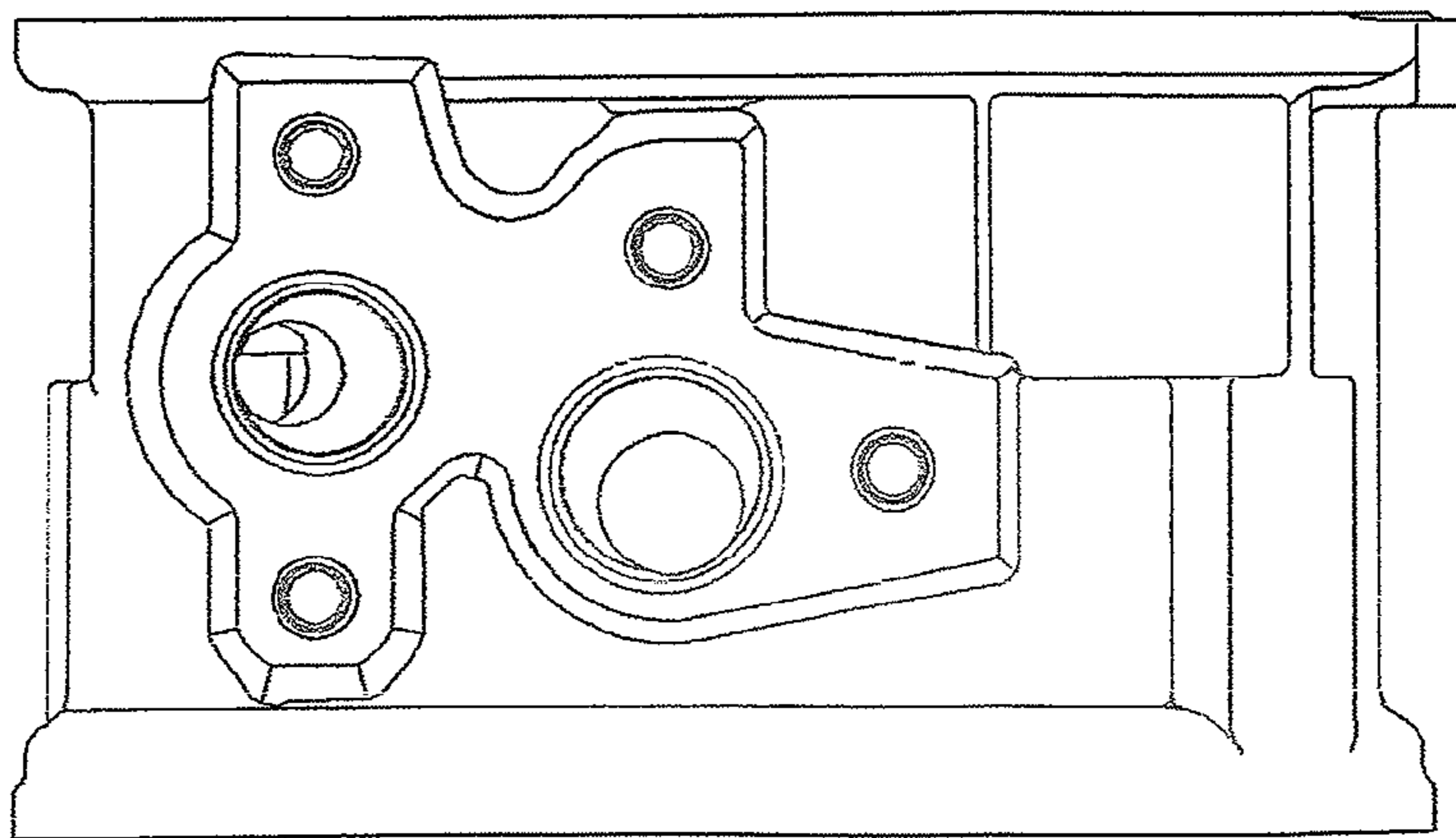


FIG. 6

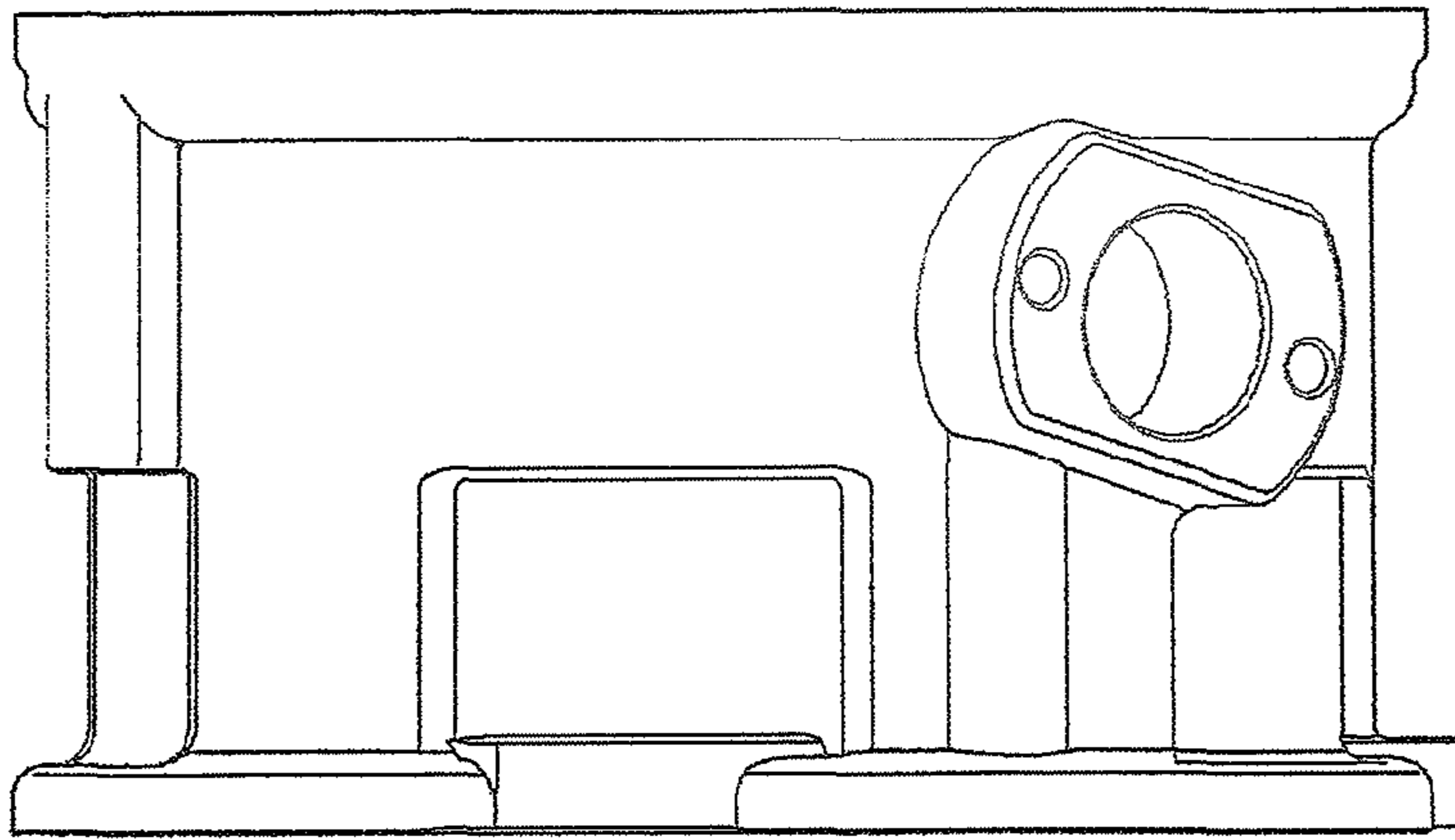


FIG.7