



US00D704226S

(12) **United States Design Patent**  
**Lee**

(10) **Patent No.:** **US D704,226 S**

(45) **Date of Patent:** **\*\* May 6, 2014**

(54) **PISTON FOR PNEUMATIC AUTOMOTIVE LIFTING DEVICE**

(75) Inventor: **Steven David Lee**, Kailua, HI (US)

(73) Assignee: **Stealth Innovative Systems, LLC**,  
Kailua, HI (US)

(\*\*) Term: **14 Years**

(21) Appl. No.: **29/395,809**

(22) Filed: **Apr. 3, 2012**

(51) **LOC (10) Cl.** ..... **15-02**

(52) **U.S. Cl.**  
USPC ..... **D15/5**

(58) **Field of Classification Search**  
USPC ..... D15/5, 7-9; 417/410.1, 359, 415-416,  
417/234, 321, 265, 405; D23/231-232;  
123/193.6, 307  
See application file for complete search history.

(56) **References Cited**

**U.S. PATENT DOCUMENTS**

|           |     |         |                   |       |           |
|-----------|-----|---------|-------------------|-------|-----------|
| 4,541,377 | A * | 9/1985  | Amos              | ..... | 123/307   |
| D287,599  | S * | 1/1987  | Murray            | ..... | D15/5     |
| 4,669,431 | A * | 6/1987  | Simay             | ..... | 123/193.6 |
| D322,969  | S * | 1/1992  | Ballheimer et al. | ..... | D15/5     |
| D399,212  | S * | 10/1998 | Roderweiss et al. | ..... | D15/5     |
| D431,802  | S * | 10/2000 | Sintorn et al.    | ..... | D12/159   |
| D515,590  | S * | 2/2006  | Freitas           | ..... | D15/7     |
| D609,247  | S * | 2/2010  | Naegele et al.    | ..... | D15/5     |
| D633,529  | S * | 3/2011  | Hamada et al.     | ..... | D15/7     |
| D645,883  | S * | 9/2011  | Azevedo et al.    | ..... | D15/5     |

\* cited by examiner

*Primary Examiner* — Ralf Seifert

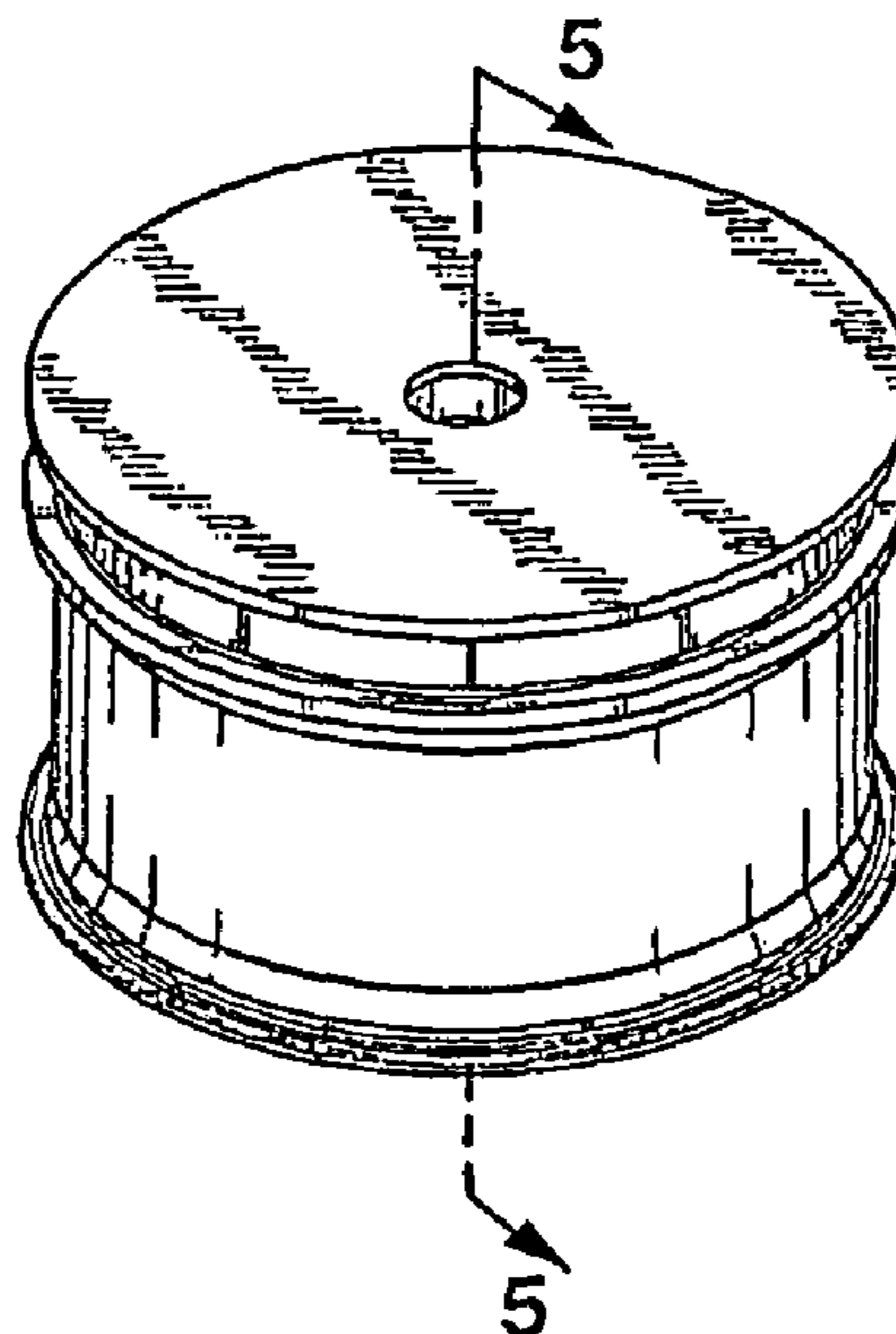
(74) *Attorney, Agent, or Firm* — Martin E. Hsia; Keri Ann K. S. Krzykowski

(57) **CLAIM**  
The ornamental design for a piston for pneumatic automotive lifting device, as shown and described.

**DESCRIPTION**

FIG. 1 is a perspective view of a piston for pneumatic automotive lifting device showing a first embodiment my new design;  
 FIG. 2 is a front side elevational view of FIG. 1, the elevational view from the right, left, and rear being identical;  
 FIG. 3 is a top plan view of FIG. 1;  
 FIG. 4 is a bottom plan view of FIG. 1;  
 FIG. 5 is a perspective cross-sectional view taken along the line 5-5 in FIG. 1;  
 FIG. 6 is a perspective view a piston for pneumatic automotive lifting device showing a second embodiment of my new design;  
 FIG. 7 is a front side elevational view of FIG. 6, the elevational views from the right, left, and rear being identical;  
 FIG. 8 is a top plan view of FIG. 6;  
 FIG. 9 is a bottom plan view of FIG. 6;  
 FIG. 10 is a perspective cross-sectional view taken along the line 10-10 in FIG. 6;  
 FIG. 11 is a perspective view of a piston for pneumatic automotive lifting device showing a third embodiment of my new design;  
 FIG. 12 is a front side elevational view of FIG. 11, the elevational views from the right, left, and rear thereof being identical;  
 FIG. 13 is a top plan view of FIG. 12;  
 FIG. 14 is a bottom plan view of FIG. 12; and,  
 FIG. 15 is a perspective cross-sectional view taken along the line 15-15 in FIG. 11.

**1 Claim, 3 Drawing Sheets**



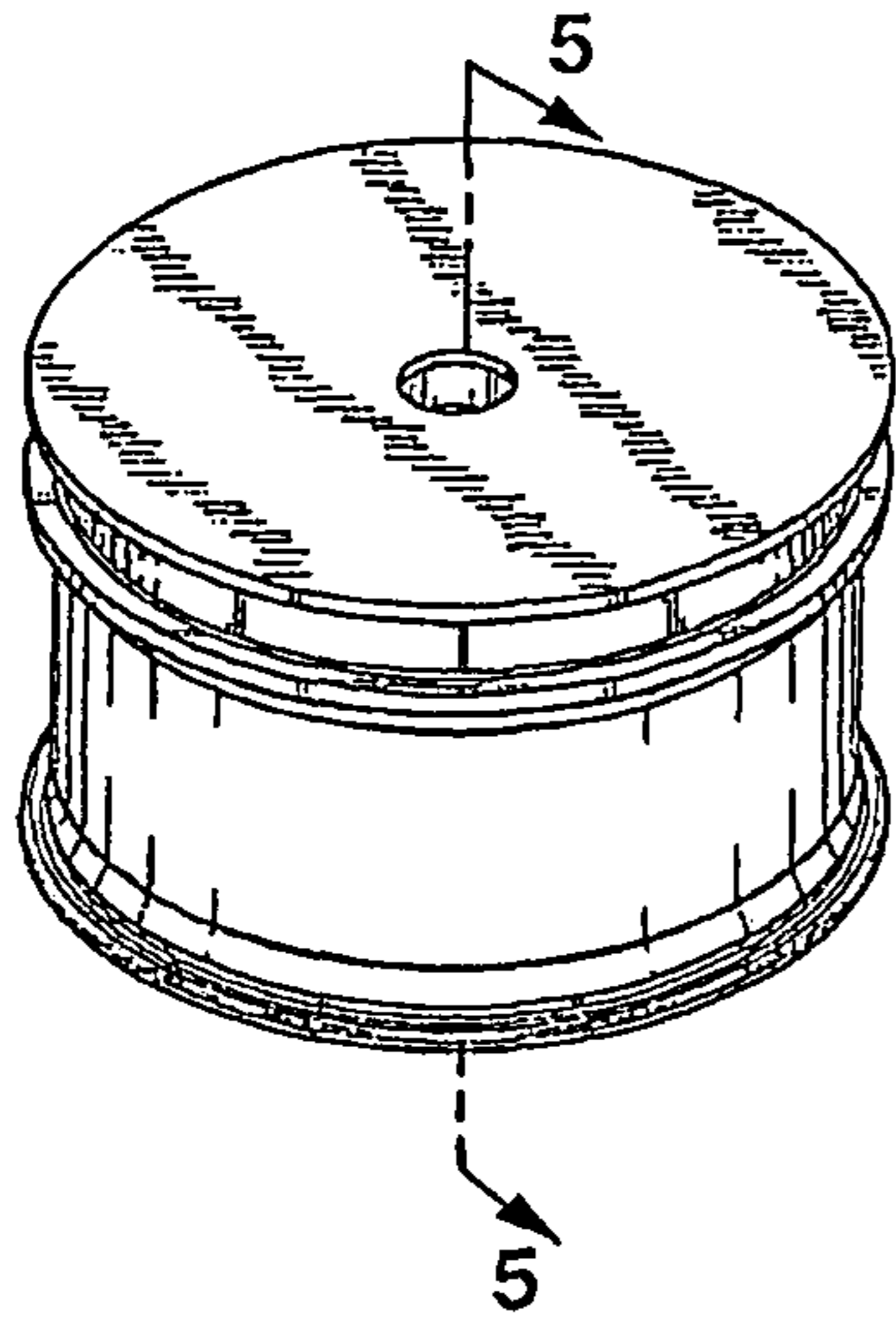


FIG. 1

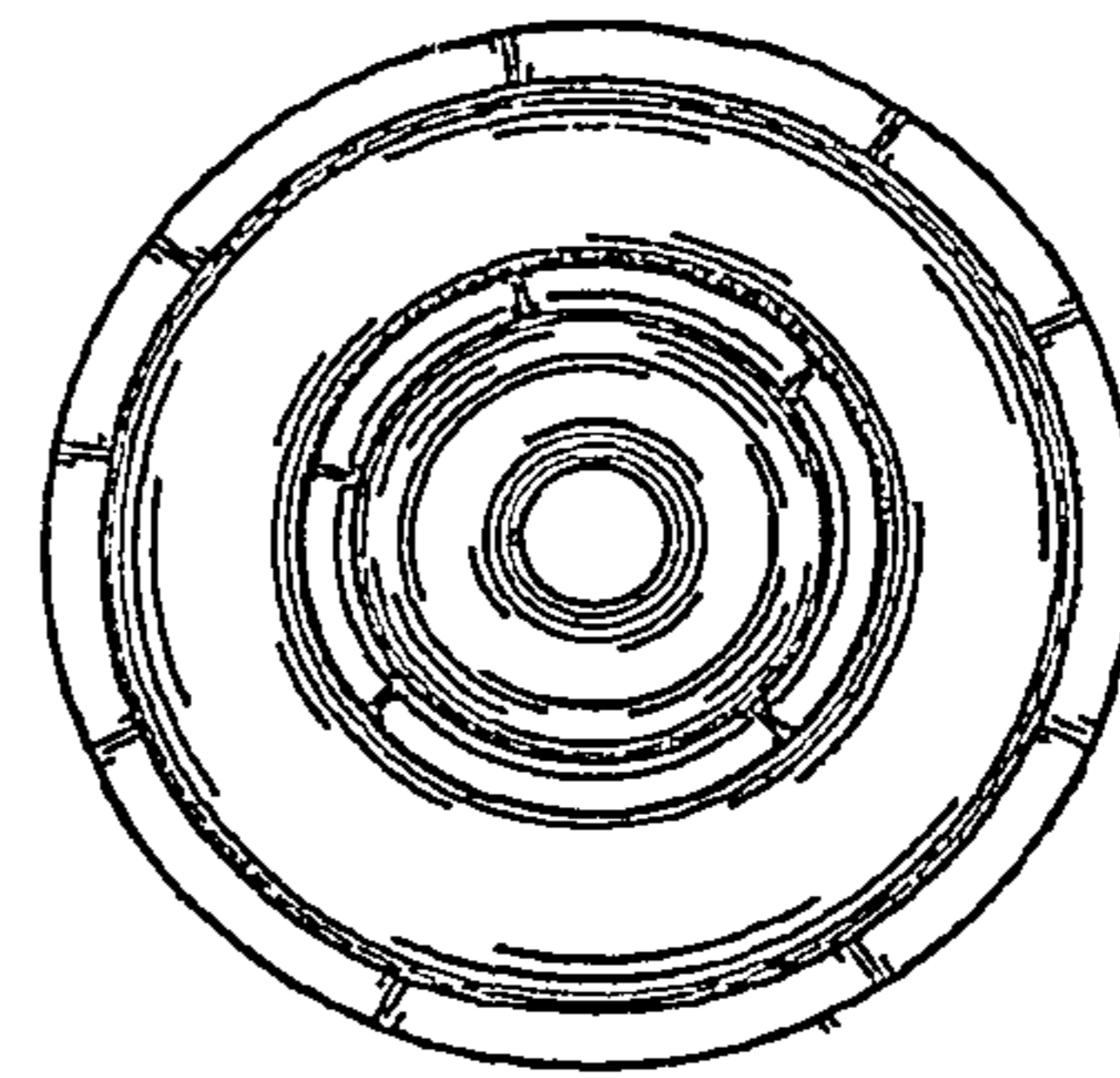


FIG. 4



FIG. 2

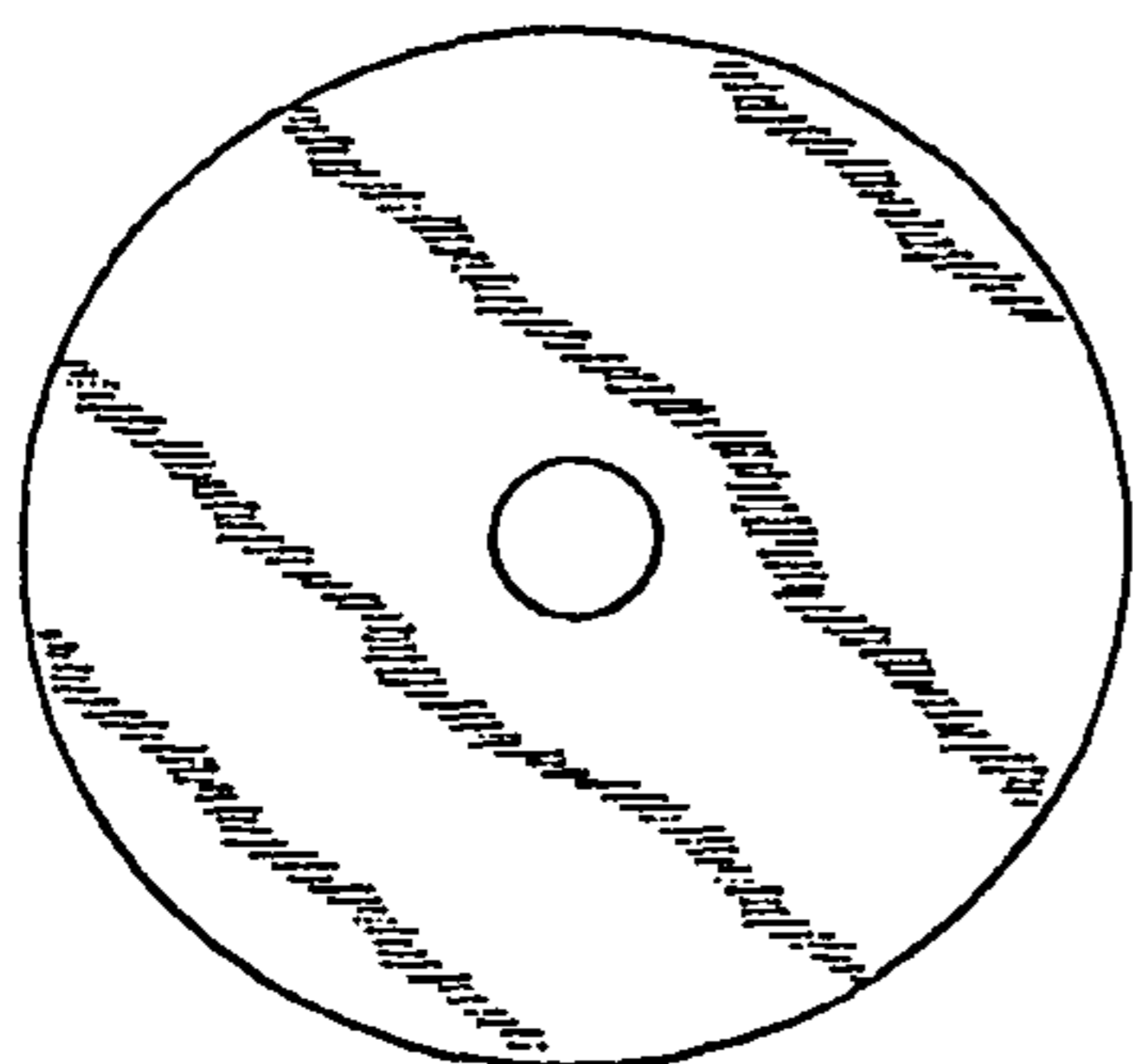


FIG. 3

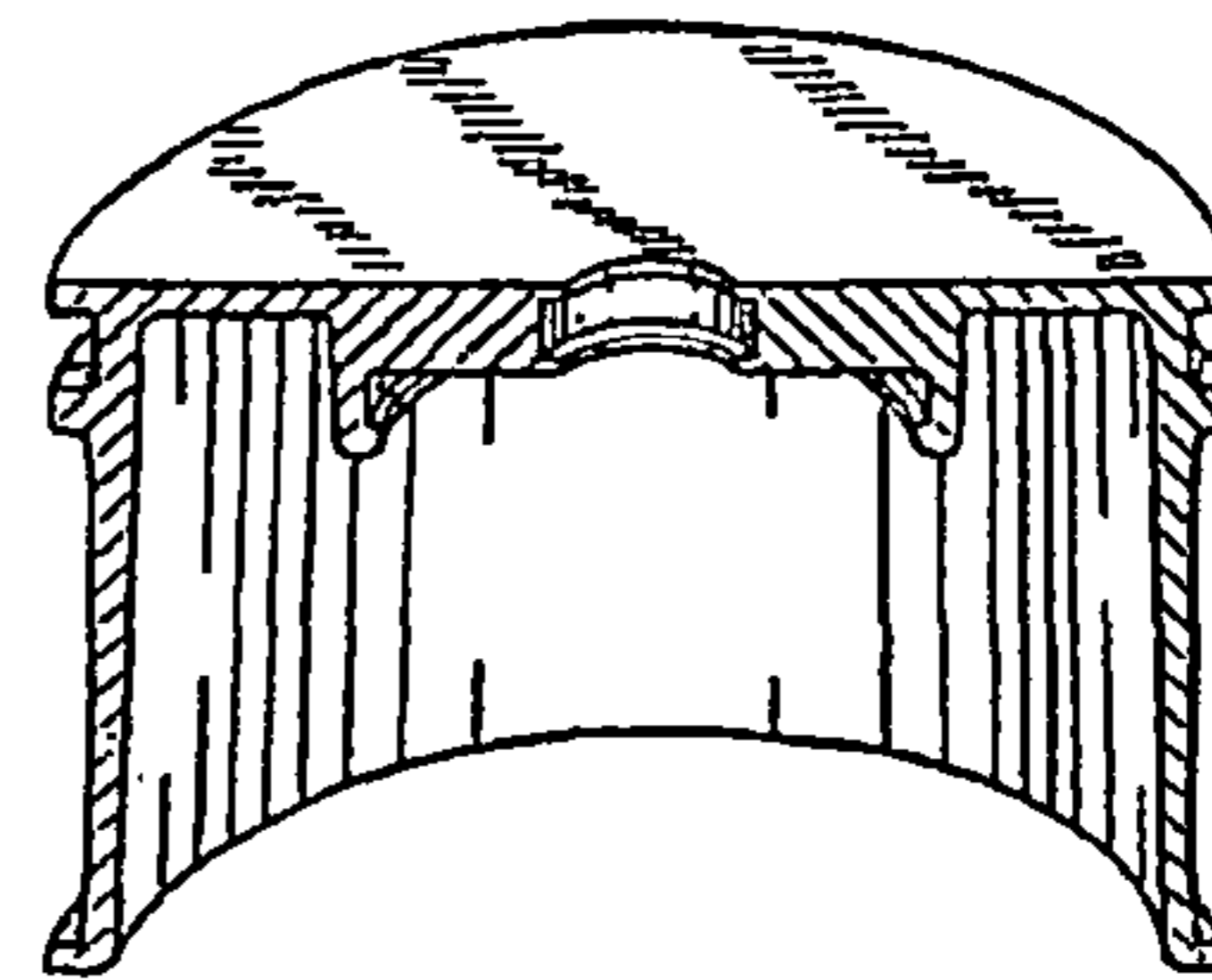


FIG. 5

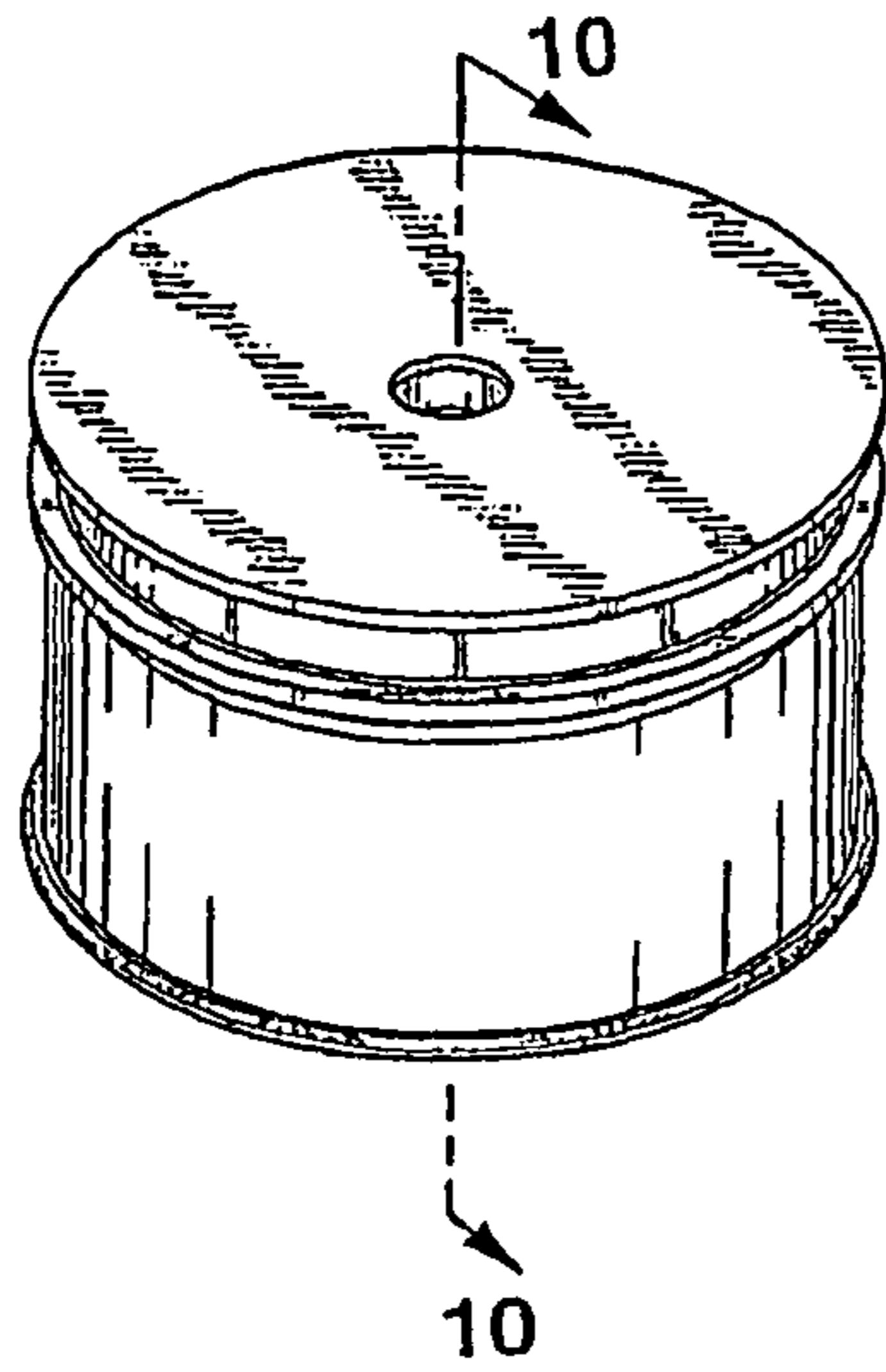


FIG. 6

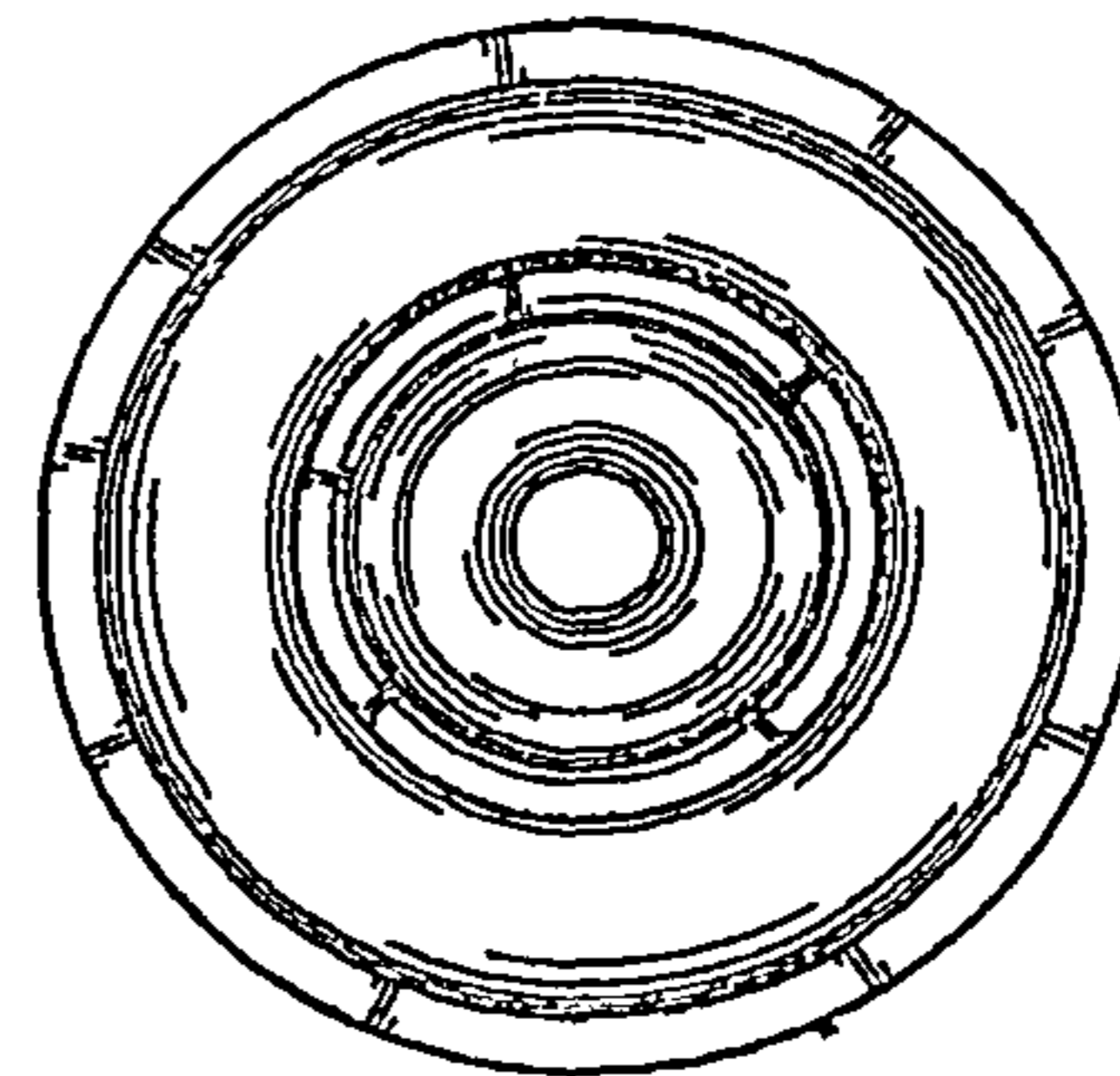


FIG. 9

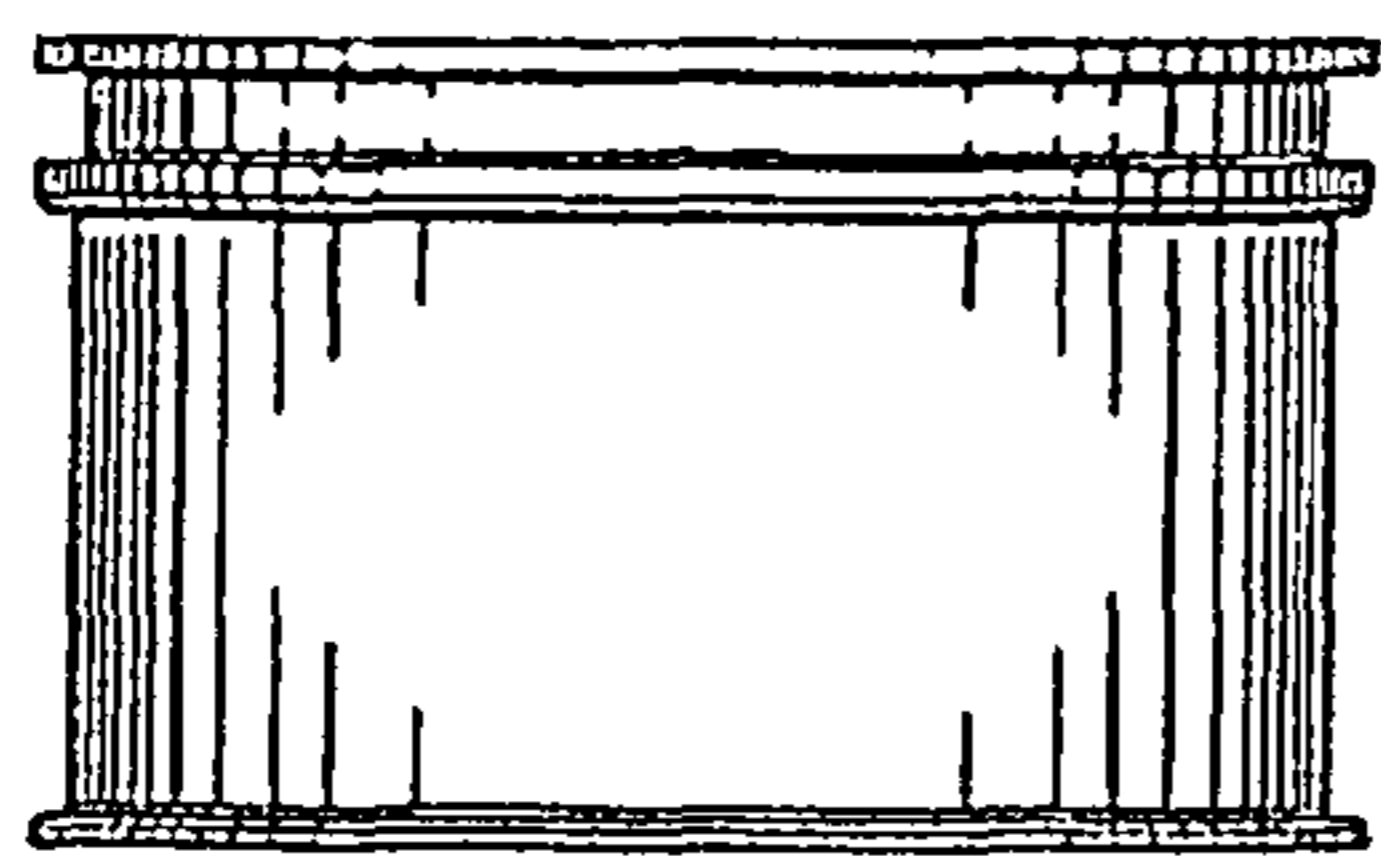


FIG. 7

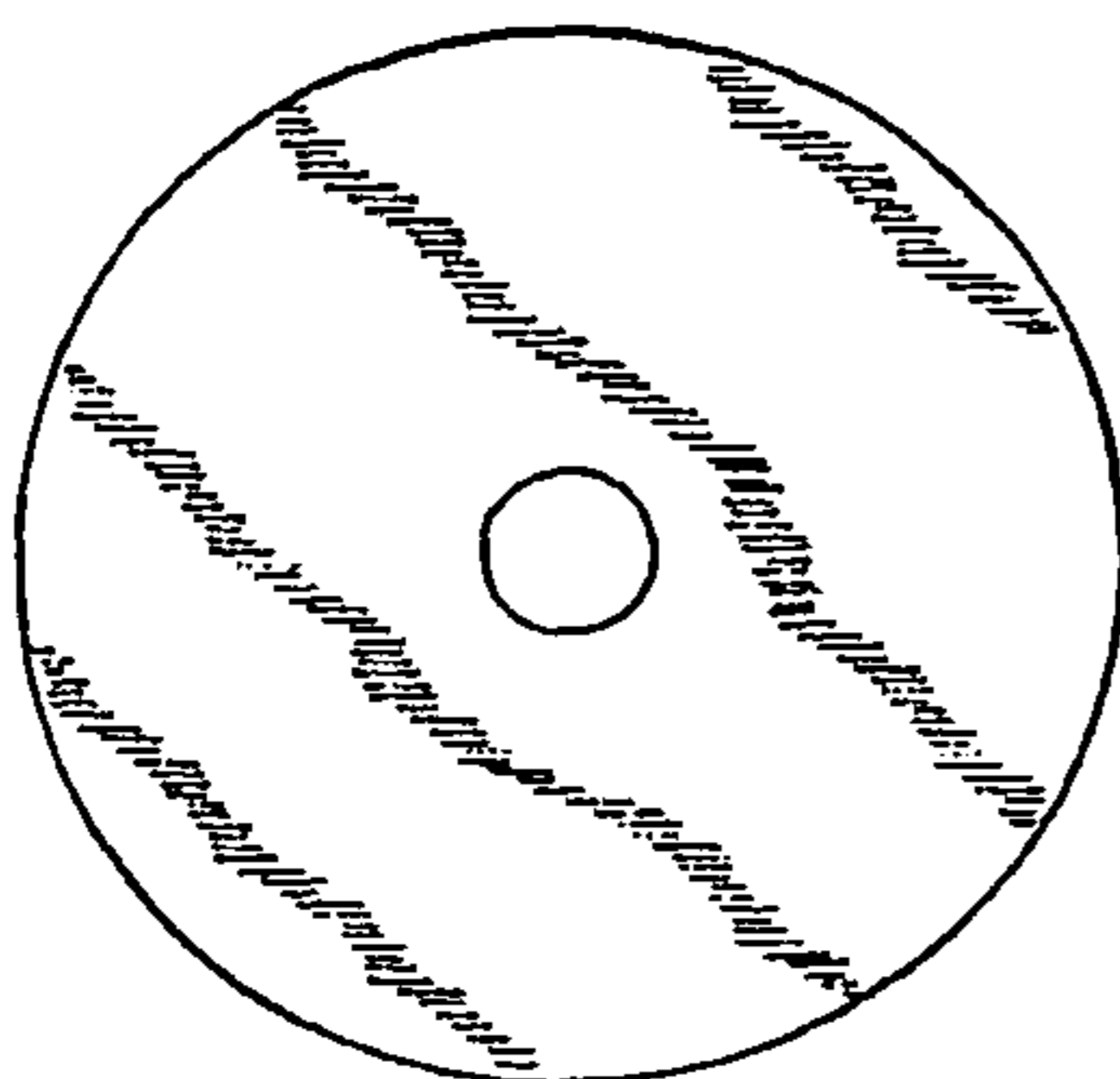


FIG. 8

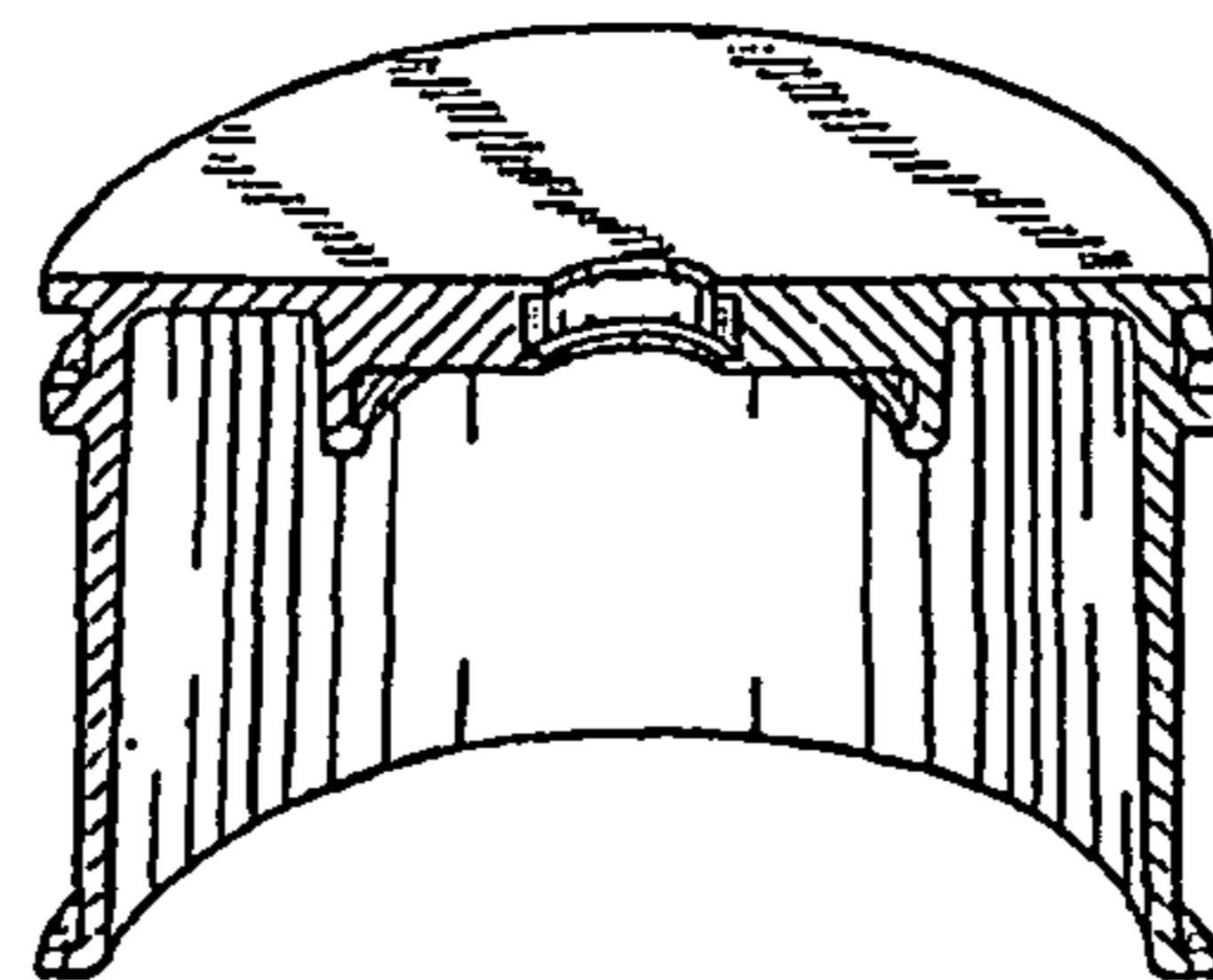


FIG. 10

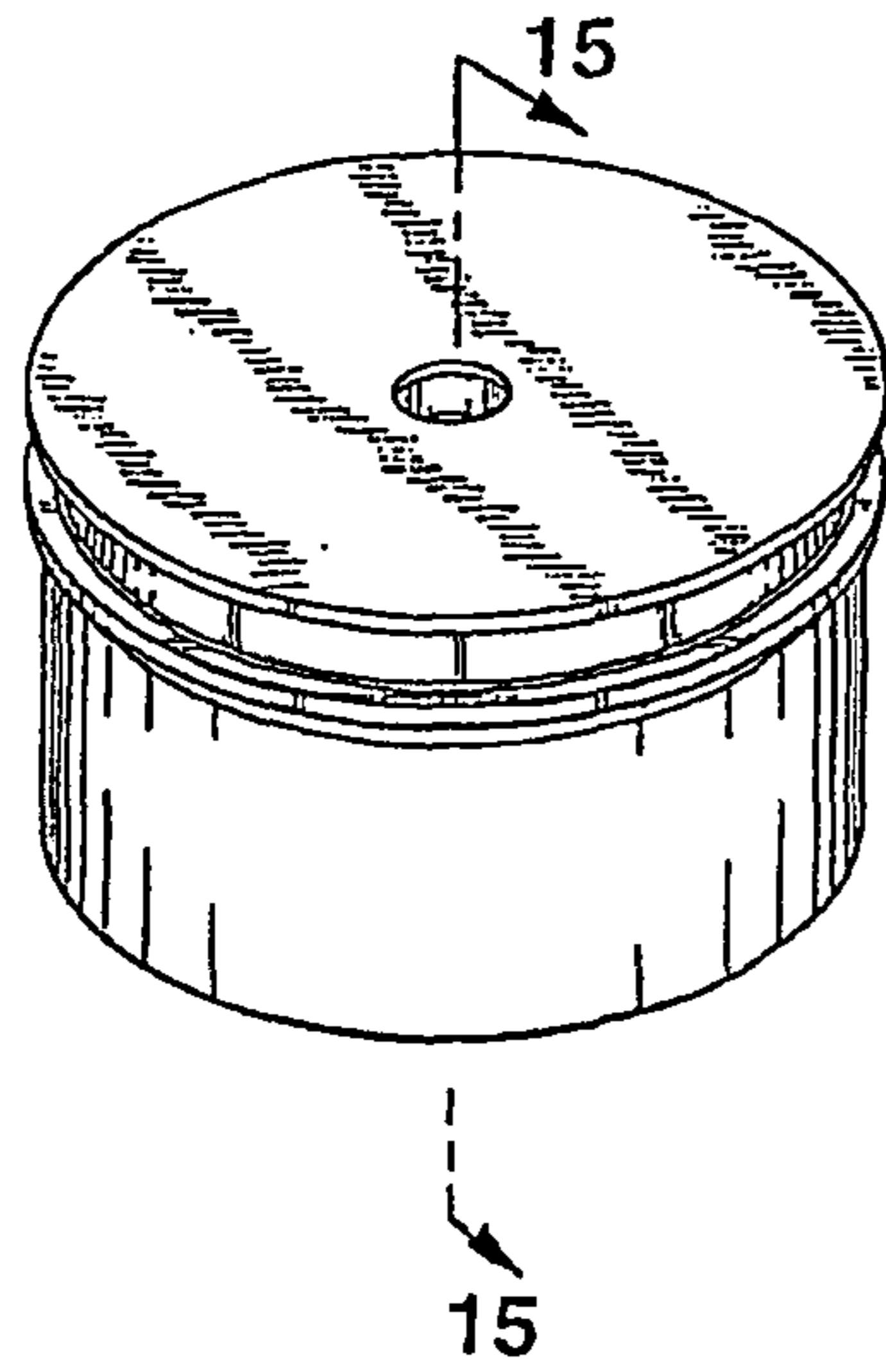


FIG. 11

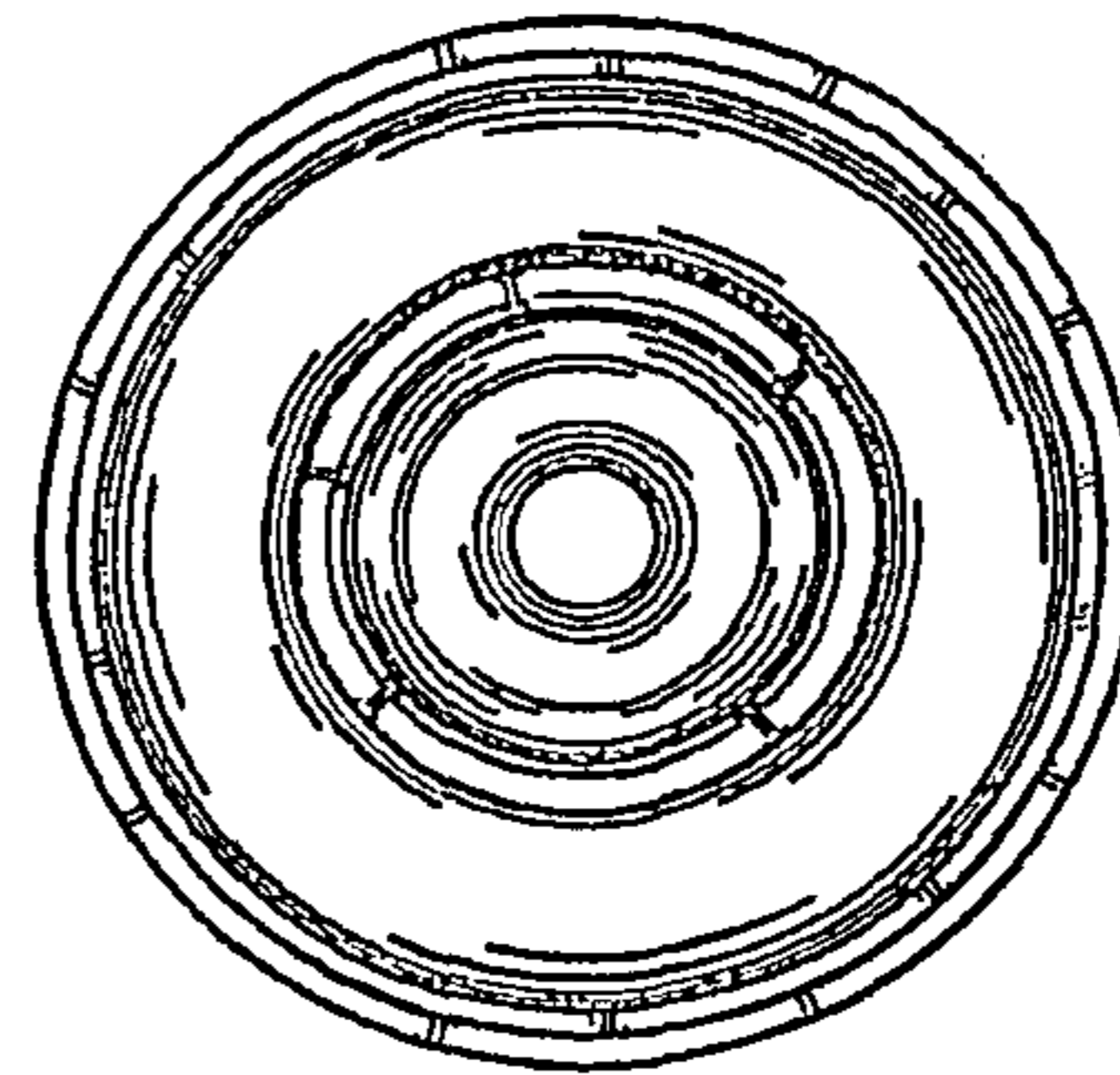


FIG. 14

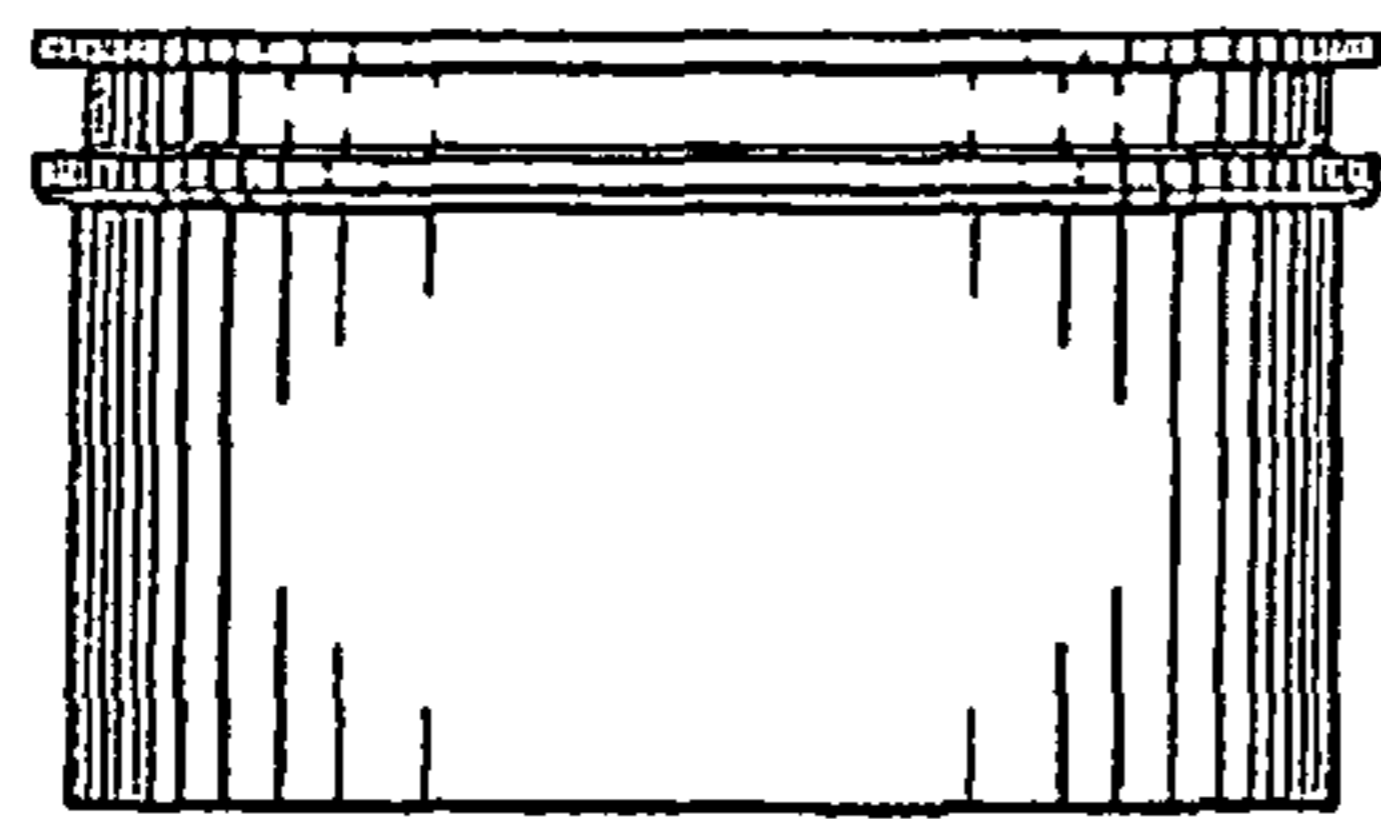


FIG. 12

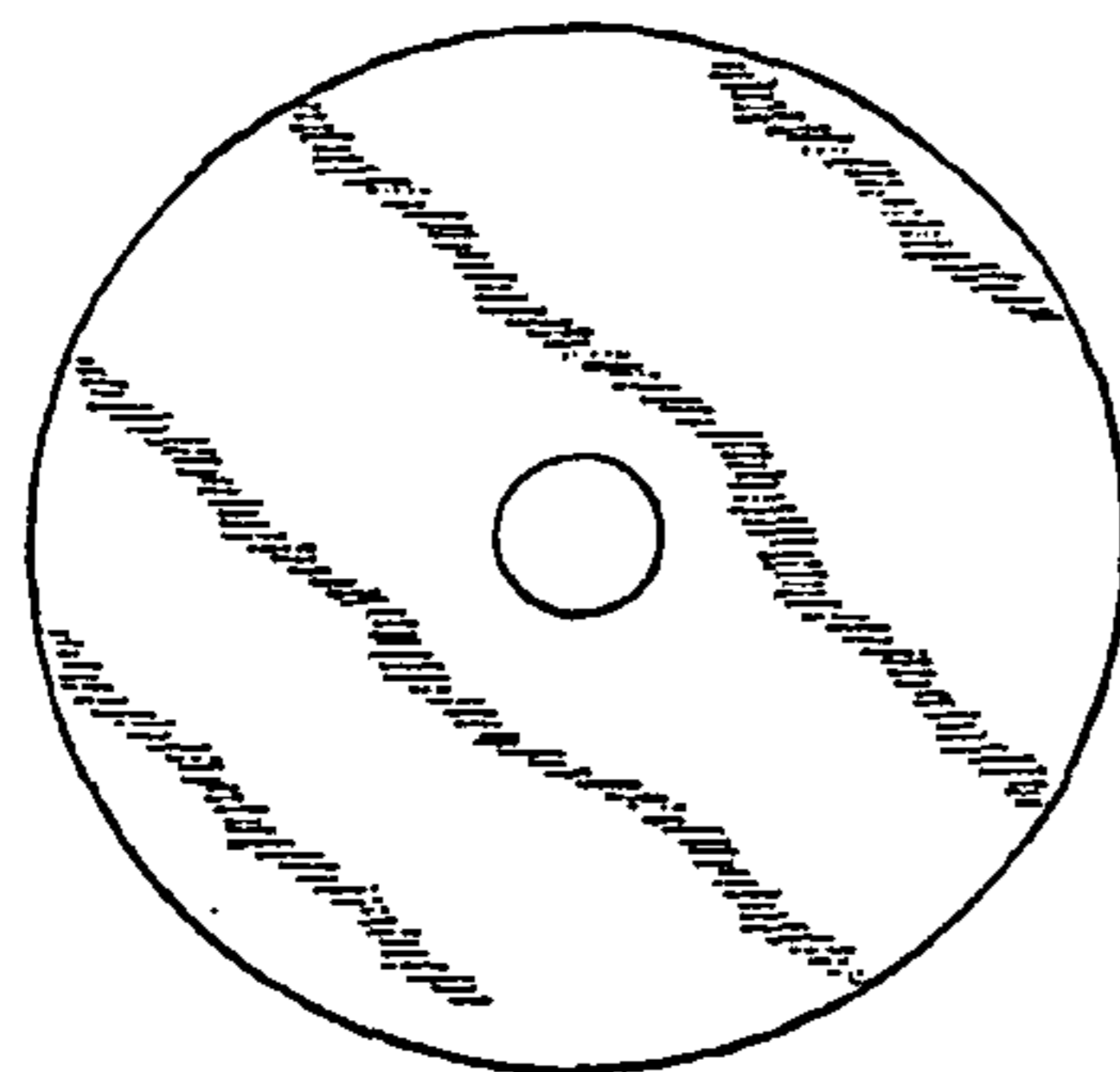


FIG. 13

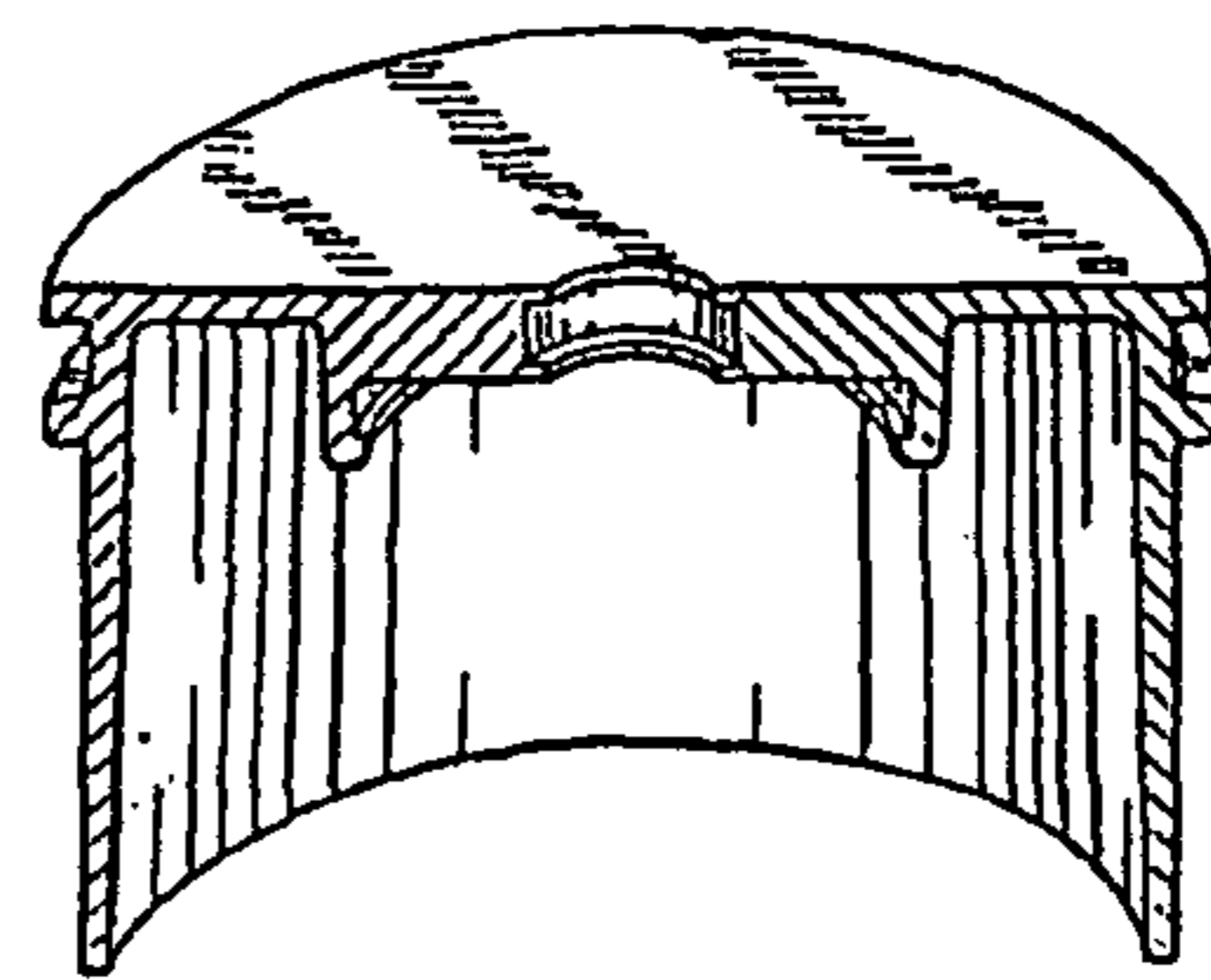


FIG. 15