



US00D704224S

(12) **United States Design Patent**  
**Kaku**

(10) **Patent No.:** **US D704,224 S**

(45) **Date of Patent:** **\*\* May 6, 2014**

(54) **DIGITAL VIDEO RECORDER**

(75) Inventor: **Daisuke Kaku**, Tama (JP)

(73) Assignee: **Teac Corporation**, Tama-shi (JP)

(\*\*) Term: **14 Years**

(21) Appl. No.: **29/421,368**

(22) Filed: **Jul. 12, 2012**

(30) **Foreign Application Priority Data**

Jan. 17, 2012 (JP) ..... 2012-000793

(51) **LOC (10) Cl.** ..... **14-03**

(52) **U.S. Cl.**  
USPC ..... **D14/505**

(58) **Field of Classification Search**

USPC ..... D9/430, 431, 435; D13/103, 108;  
D14/138 R, 138 AA, 138 C, 138 G, 139,  
D14/140.1, 155, 157, 170, 171, 183, 188,  
D14/195, 216, 250, 258, 315-327, 348, 353,  
D14/363-368, 444, 478-480, 498-506,  
D14/510; D16/219, 221; 360/99.02, 99.07;  
369/75.11, 75.21, 77.11, 77.21;  
455/90, 100, 128; 720/601, 612, 619,  
720/649, 655

See application file for complete search history.

(56) **References Cited**

U.S. PATENT DOCUMENTS

D311,404 S *	10/1990	Repasky	.....	D14/258
D329,051 S *	9/1992	Ito et al.	.....	D14/164
D345,359 S *	3/1994	Yamane	.....	D14/157
D364,878 S *	12/1995	Green et al.	.....	D14/258
D427,579 S *	7/2000	Ito et al.	.....	D14/506
D427,989 S *	7/2000	Ito et al.	.....	D14/505
D434,022 S *	11/2000	Takahashi	.....	D14/502
D452,225 S *	12/2001	Becker	.....	D14/155

\* cited by examiner

*Primary Examiner* — Prabhakar Deshmukh

*Assistant Examiner* — Janice Lim

(74) *Attorney, Agent, or Firm* — Manabu Kanesaka

(57) **CLAIM**

The ornamental design for a digital video recorder, as shown and described.

**DESCRIPTION**

FIG. 1 is a perspective view of a digital video recorder showing my new design;  
FIG. 2 is a front view thereof;  
FIG. 3 is a rear view thereof;  
FIG. 4 is a top plan view thereof;  
FIG. 5 is a bottom plan view thereof;  
FIG. 6 is a left side view thereof; and,  
FIG. 7 is a right side view thereof.  
The broken lines depict portions of the digital video recorder that form no part of claimed design.

**1 Claim, 5 Drawing Sheets**

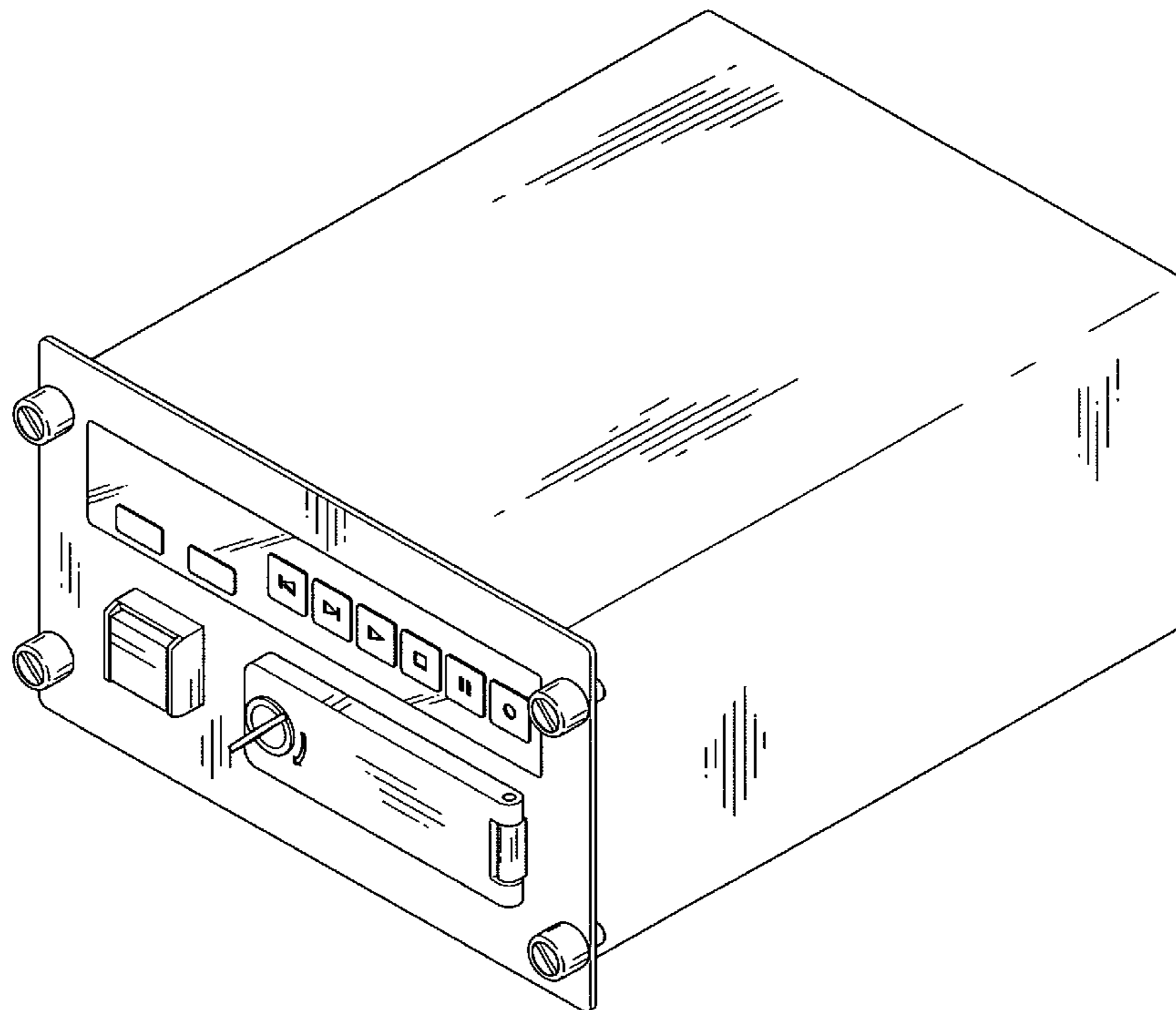


Fig.1

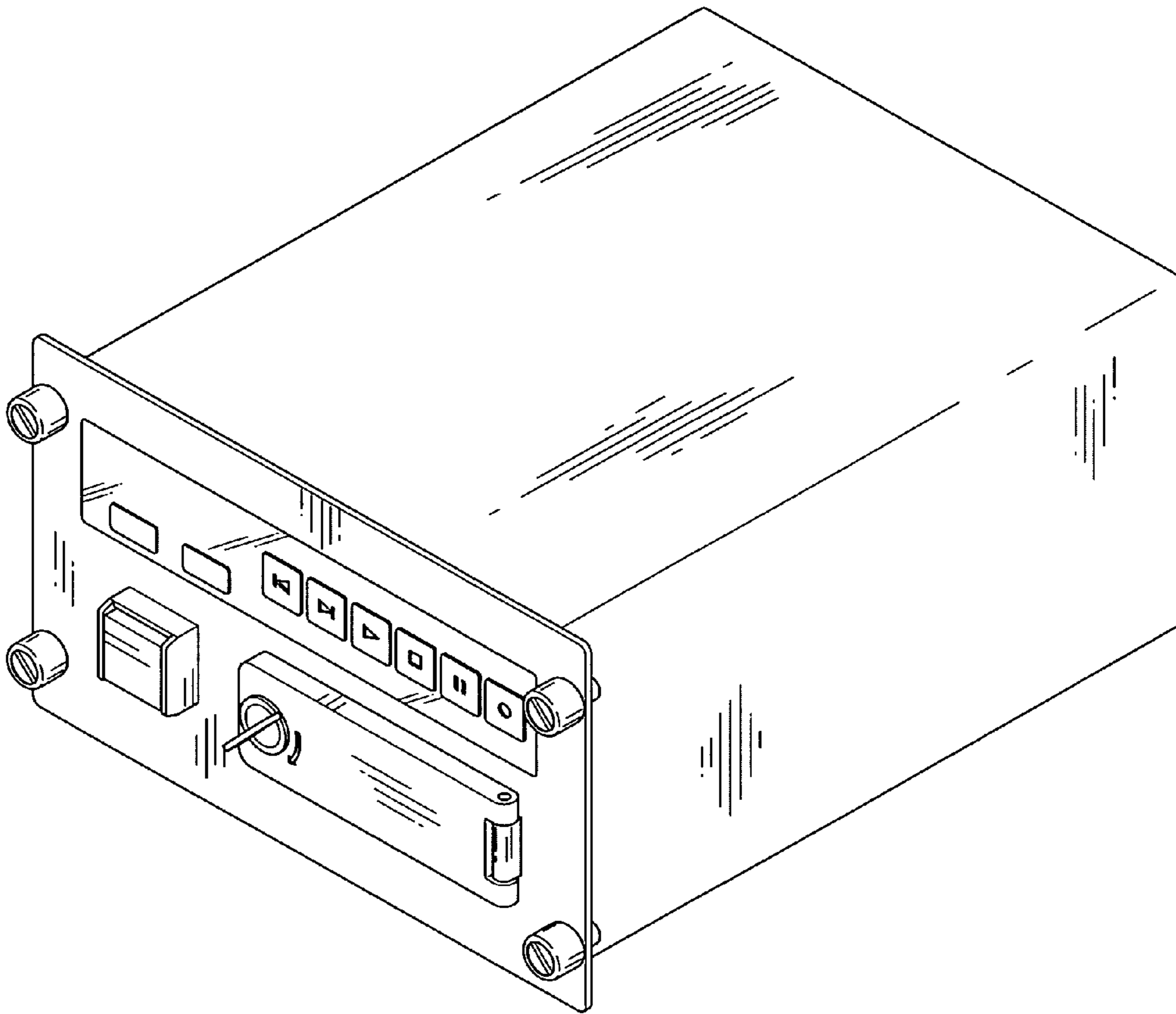


Fig.2

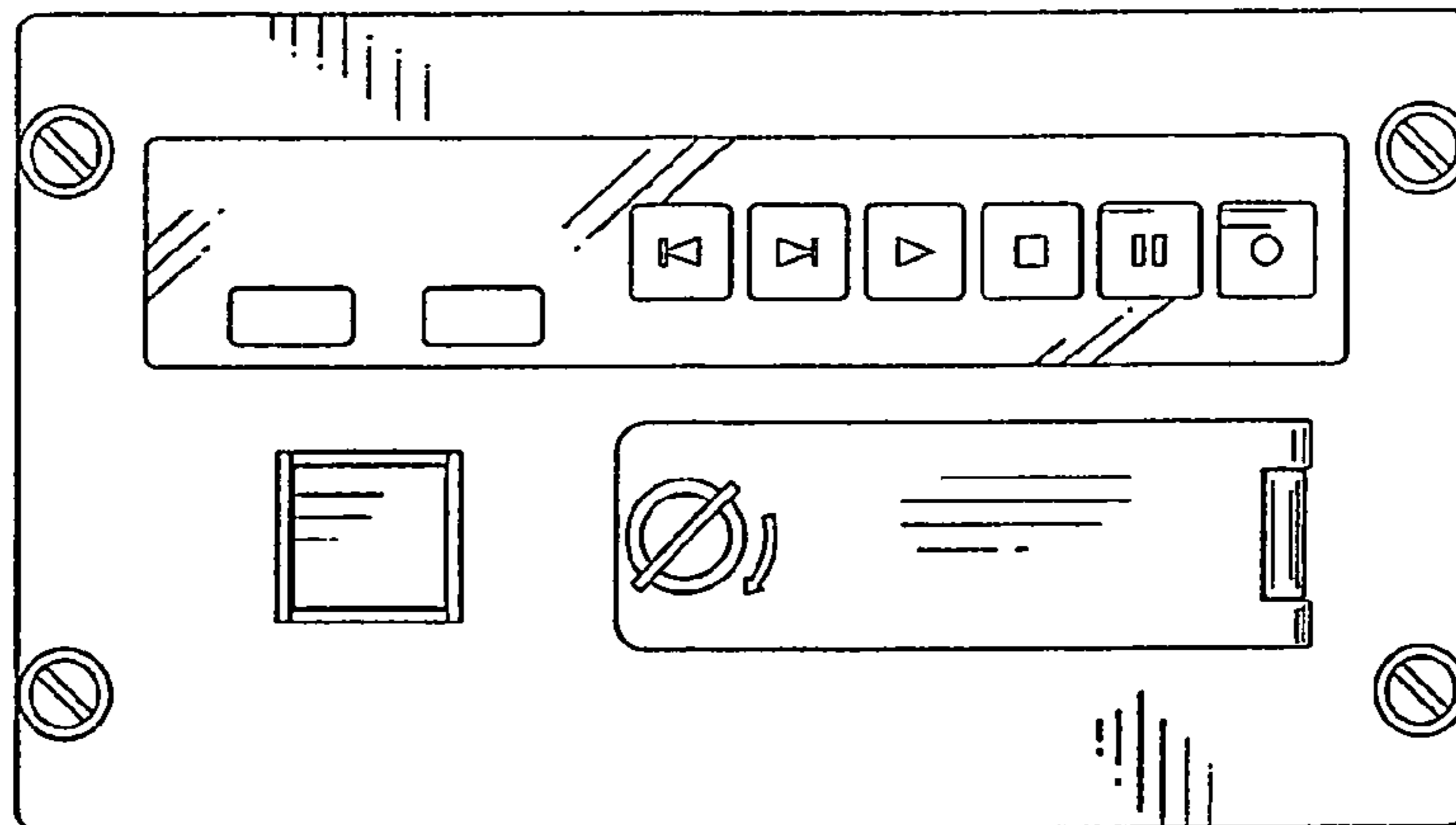


Fig.3

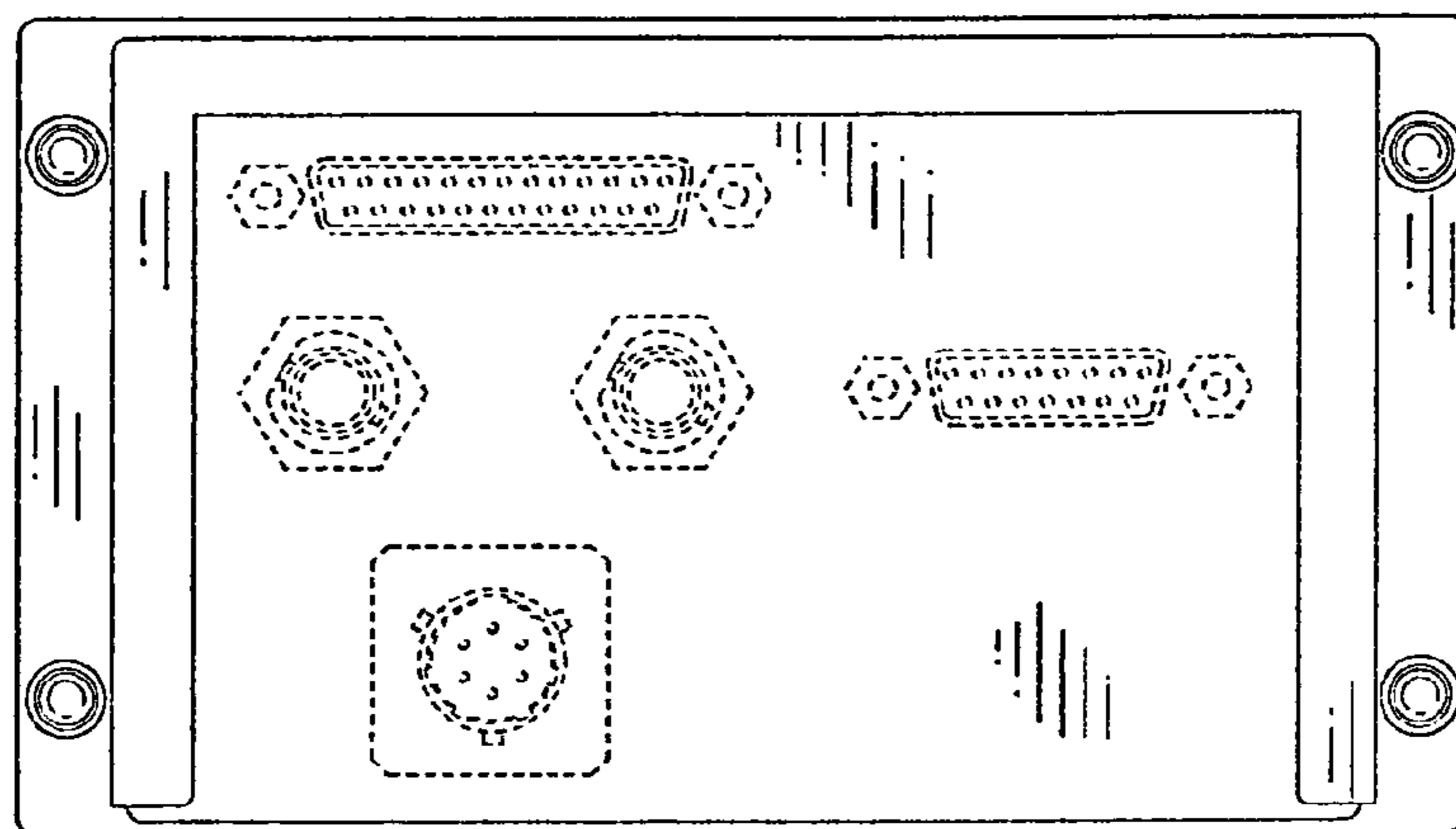


Fig.4

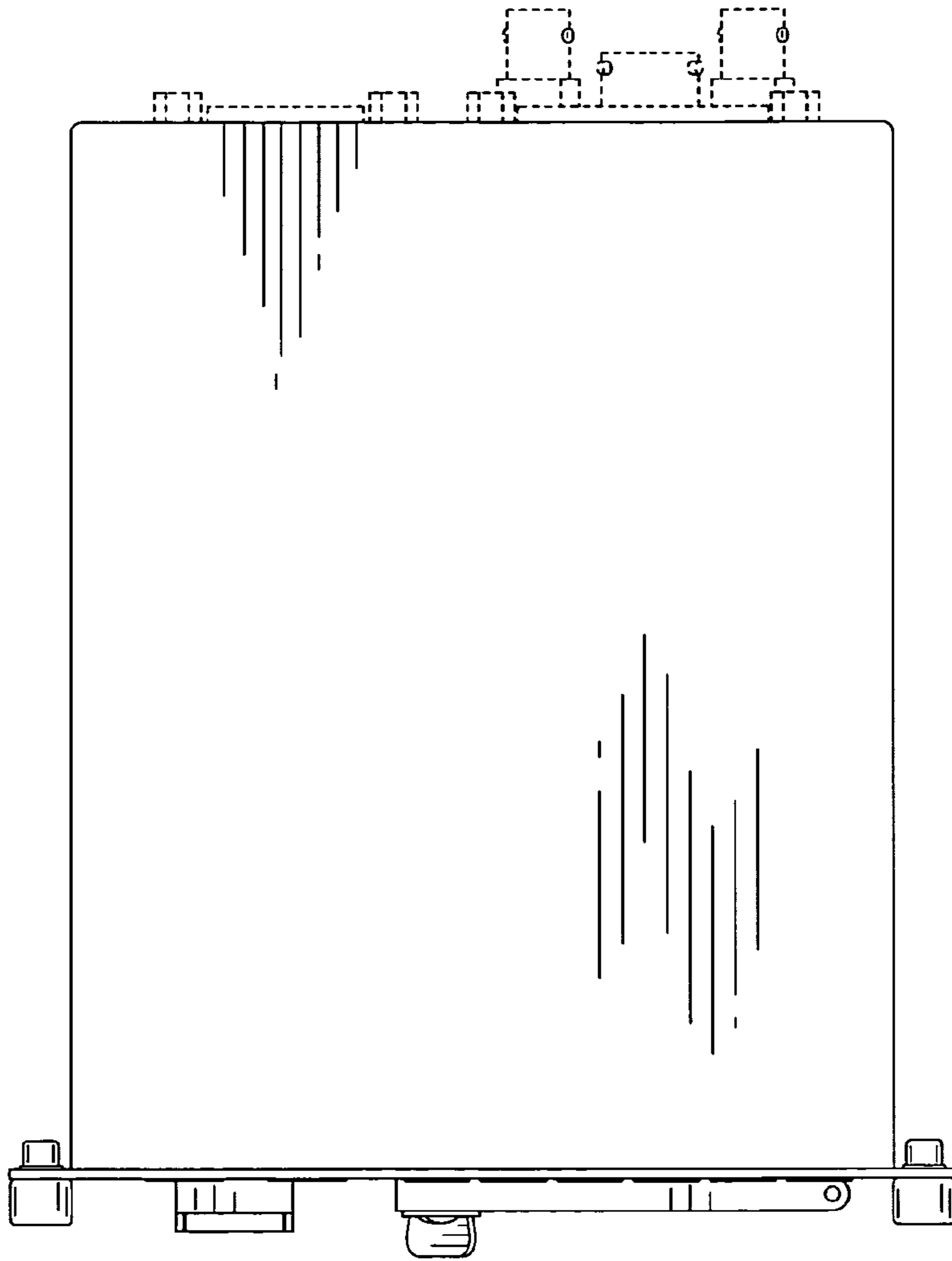


Fig.5

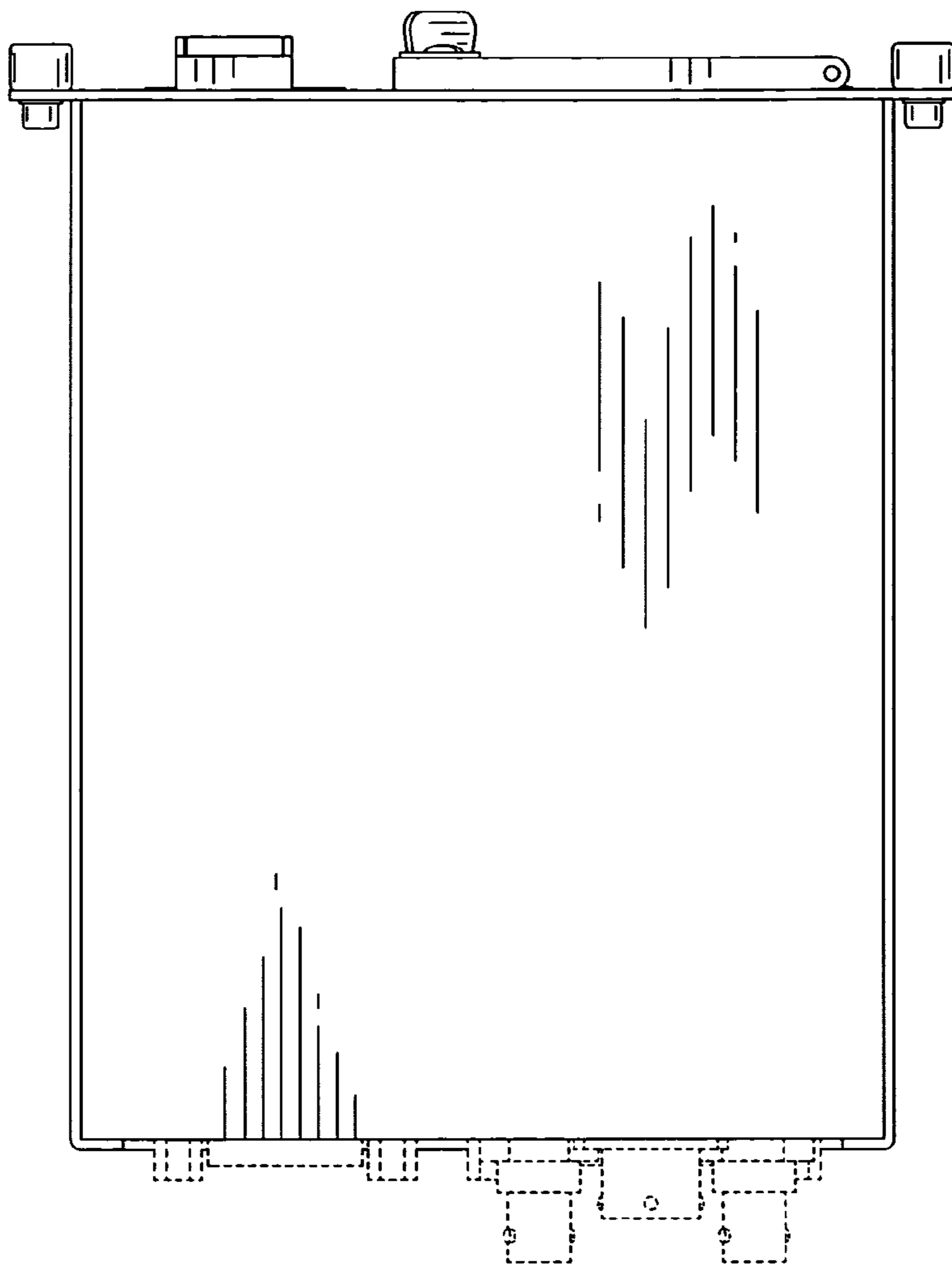


Fig.6

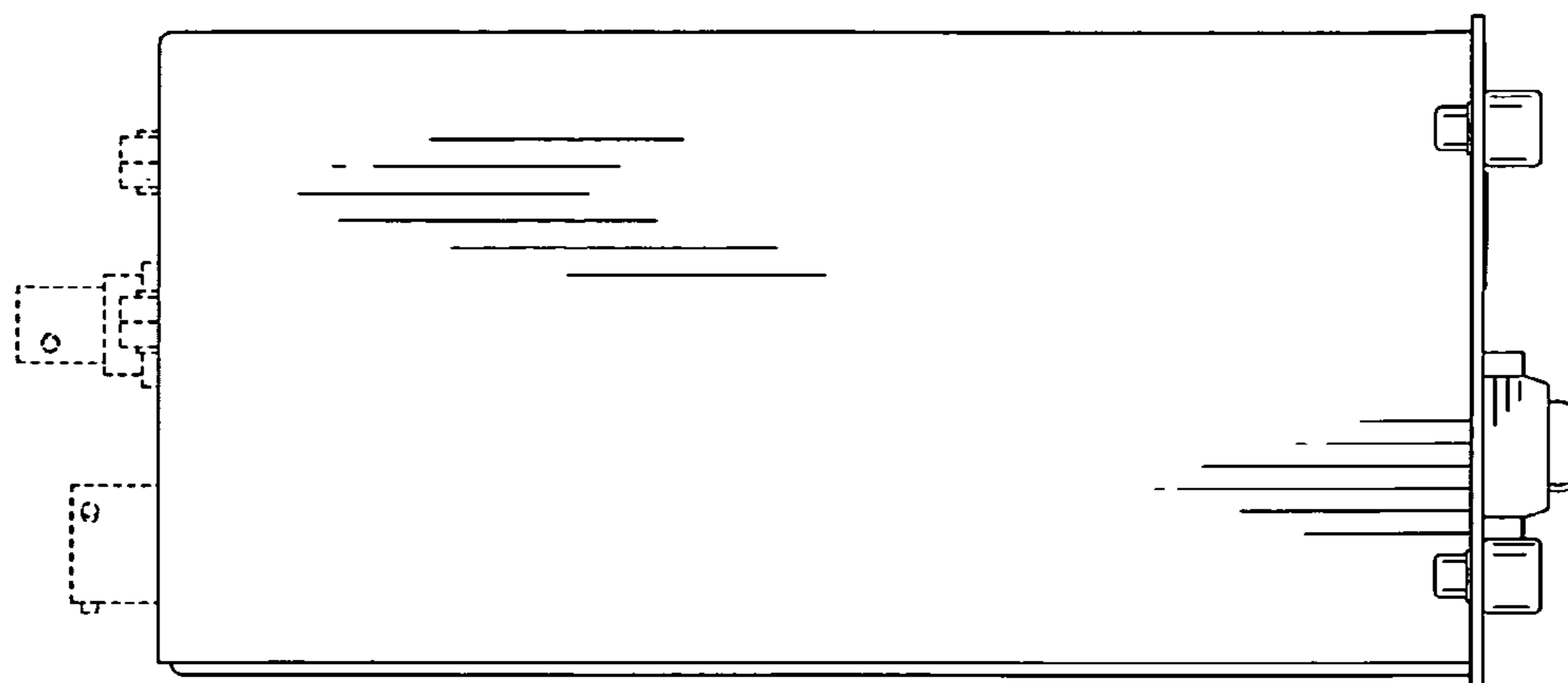


Fig.7

