



US00D704201S

(12) **United States Design Patent**  
**Shubin, Sr.**

(10) **Patent No.:** **US D704,201 S**

(45) **Date of Patent:** **\*\* May 6, 2014**

(54) **LEG MOUNTED PORTABLE COMPUTER HOLDER**

(71) Applicant: **Steven A. Shubin, Sr.**, Drippings Springs, TX (US)

(72) Inventor: **Steven A. Shubin, Sr.**, Drippings Springs, TX (US)

(\*\*) Term: **14 Years**

(21) Appl. No.: **29/467,237**

(22) Filed: **Sep. 17, 2013**

(51) **LOC (10) Cl.** ..... **08-07**

(52) **U.S. Cl.**  
USPC ..... **D14/447**

(58) **Field of Classification Search**  
USPC ..... D14/447, 451, 457, 432, 434, 439, 440, D14/217, 238.1, 250, 251, 253; D6/406.1, D6/406.2, 406.3, 406.4, 406.5, 406.6; D12/415; D13/108, 110; D8/363; D21/333; 248/917-924, 133, 136, 139, 248/150, 176.1, 188.6, 444; 361/679.09, 361/679.21, 679.22, 679.24, 679.26, 361/679.27, 679.28, 679.3, 679.55, 679.56, 361/709

See application file for complete search history.

(56) **References Cited**

**U.S. PATENT DOCUMENTS**

5,263,423 A \* 11/1993 Anderson ..... 108/43  
5,937,765 A \* 8/1999 Stirling ..... 108/43  
D592,188 S \* 5/2009 Huang ..... D14/217  
D646,315 S \* 10/2011 Orf ..... D16/242  
D654,054 S \* 2/2012 Kohte et al. .... D14/217

D658,168 S \* 4/2012 Werth ..... D14/253  
D669,481 S \* 10/2012 Prescott et al. .... D14/447  
D671,950 S \* 12/2012 Richter ..... D14/447  
D673,032 S \* 12/2012 Tak et al. .... D8/395  
D674,398 S \* 1/2013 Whittington ..... D14/447  
D690,306 S \* 9/2013 Malisse et al. .... D14/447  
D693,352 S \* 11/2013 Gelsomini et al. .... D14/447  
D693,824 S \* 11/2013 Erdfarb ..... D14/447

\* cited by examiner

*Primary Examiner* — Angela J Lee

(74) *Attorney, Agent, or Firm* — Conley Rose, P.C.

(57) **CLAIM**

The ornamental design for a leg mounted portable computer holder, as shown and described.

**DESCRIPTION**

FIG. 1 is a perspective view of a leg mounted portable computer holder with the clamp in an open configuration; FIG. 2 is a side-elevation view of the leg mounted portable computer holder; FIG. 3 is a second side-elevation view of the leg mounted portable computer holder; FIG. 4 is a front-elevation view of the leg mounted portable computer holder with the clamp in an open configuration; FIG. 5 is a back-elevation view of the leg mounted portable computer holder; FIG. 6 is an overhead view of the leg mounted portable computer holder; FIG. 7 is a bottom view of the leg mounted portable computer holder; and, FIG. 8 is a side-elevation of the leg mounted portable computer holder with the clamp in a closed configuration. The portion of the leg mounted portable computer holder depicted in broken lines form no part of the claimed design.

**1 Claim, 8 Drawing Sheets**

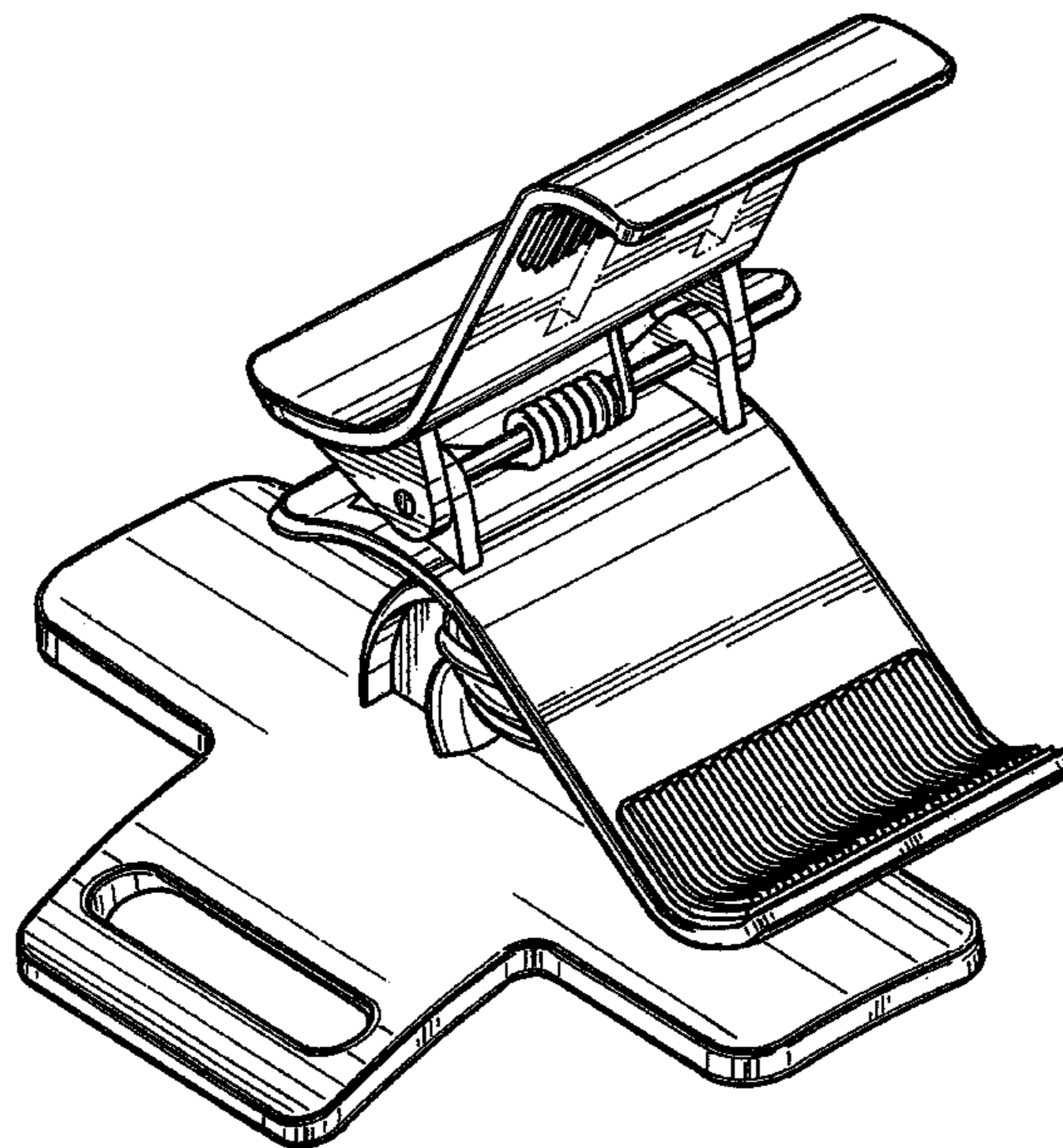


FIG. 1

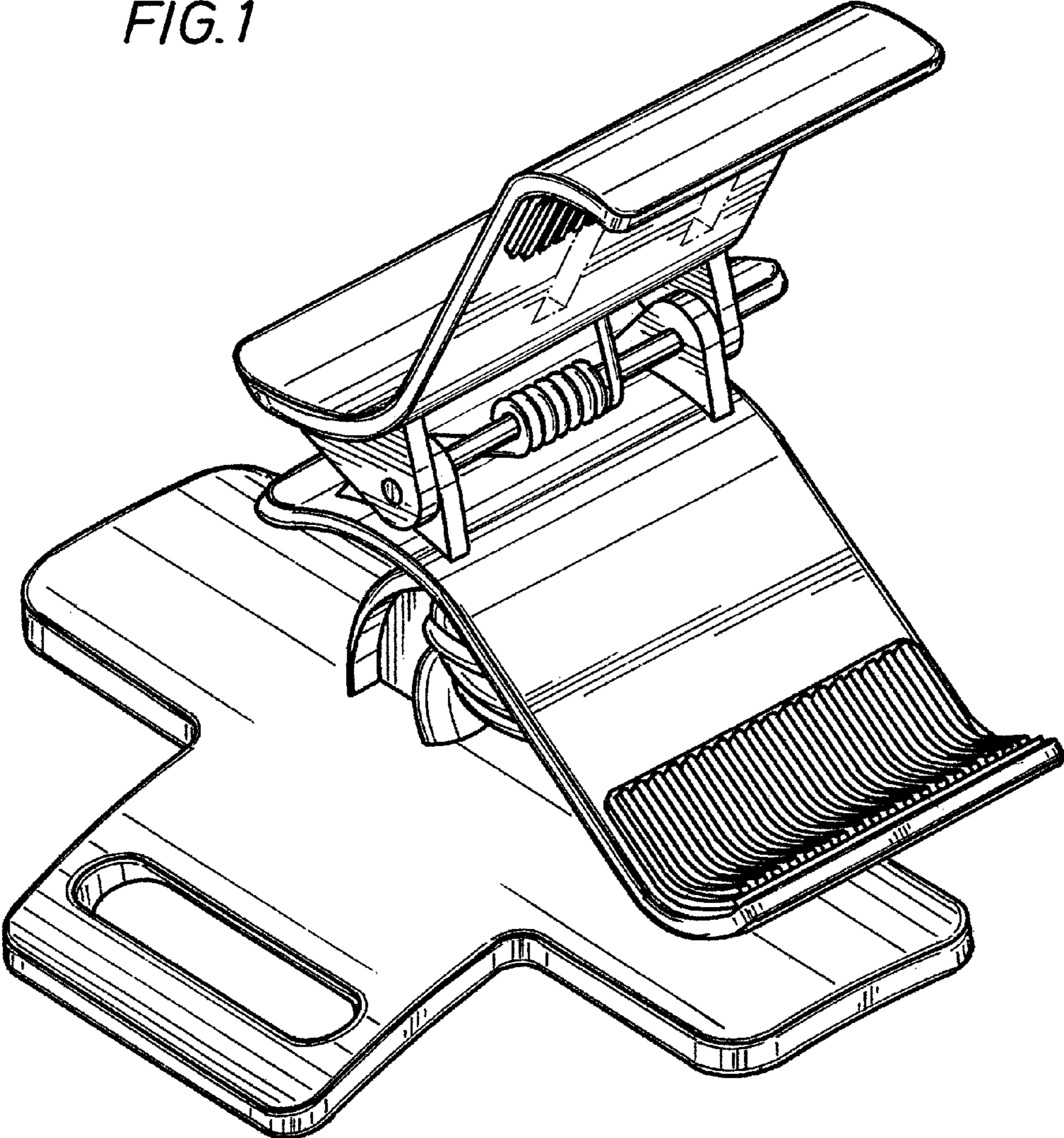


FIG. 2

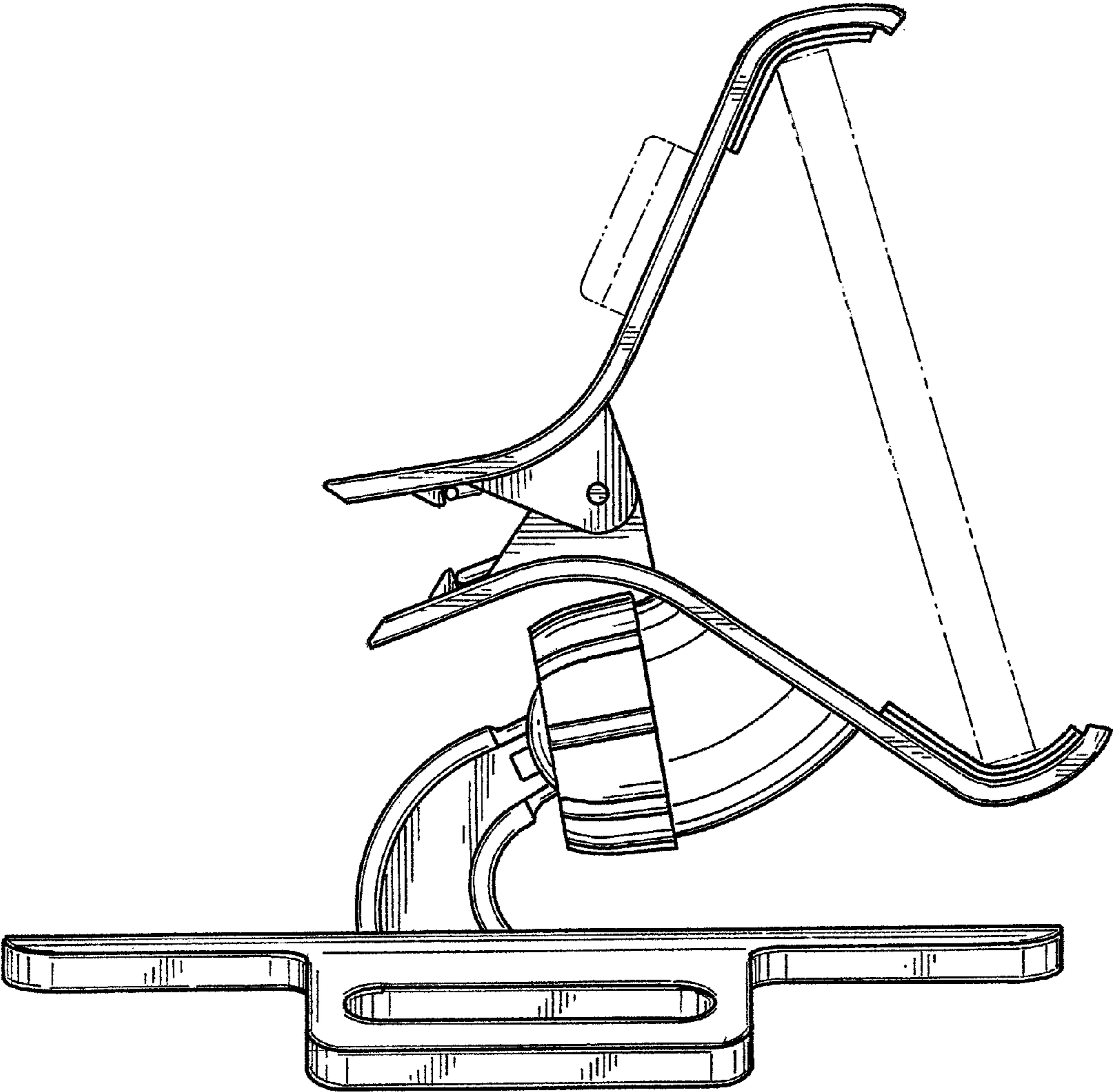


FIG. 3

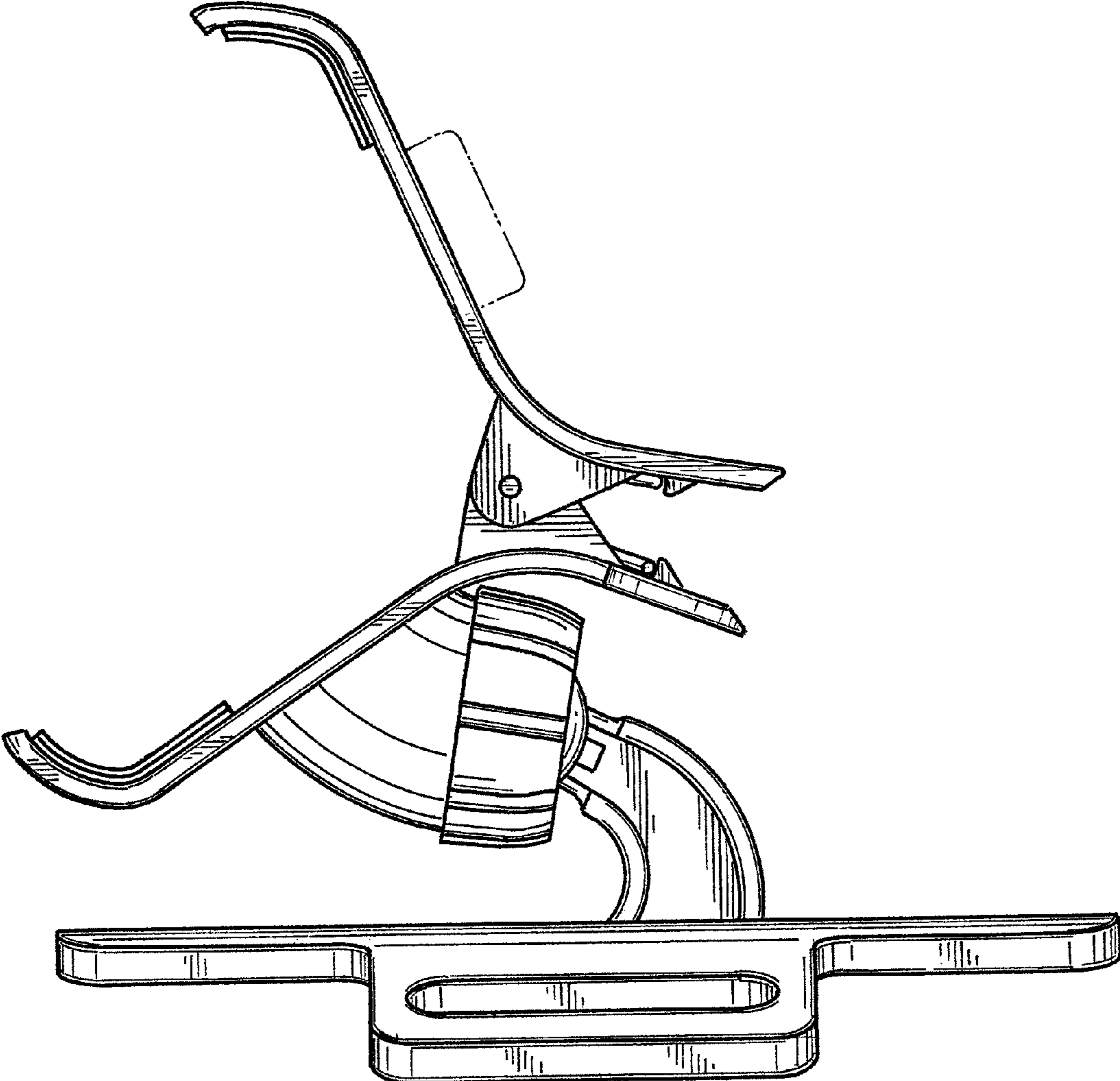
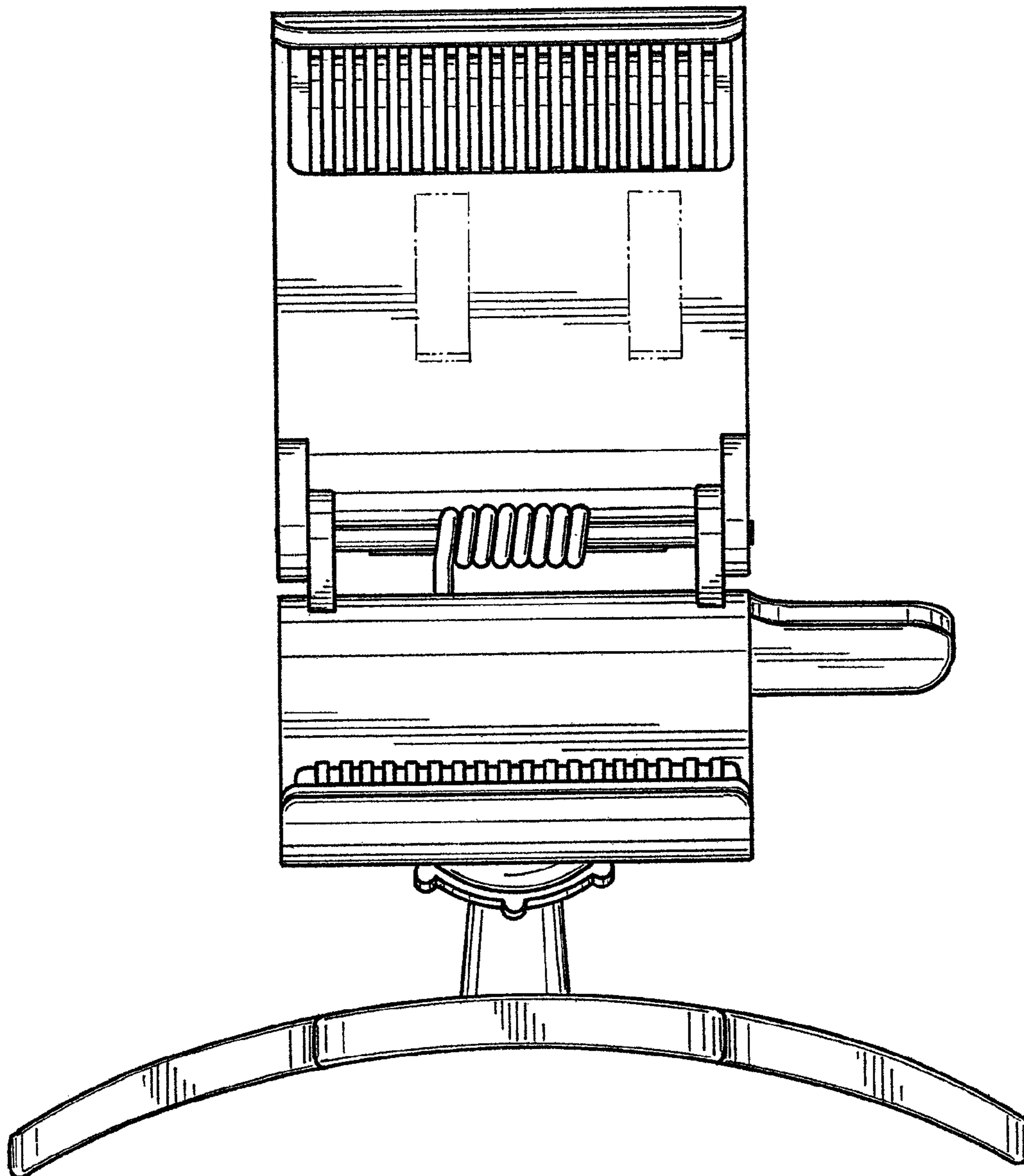
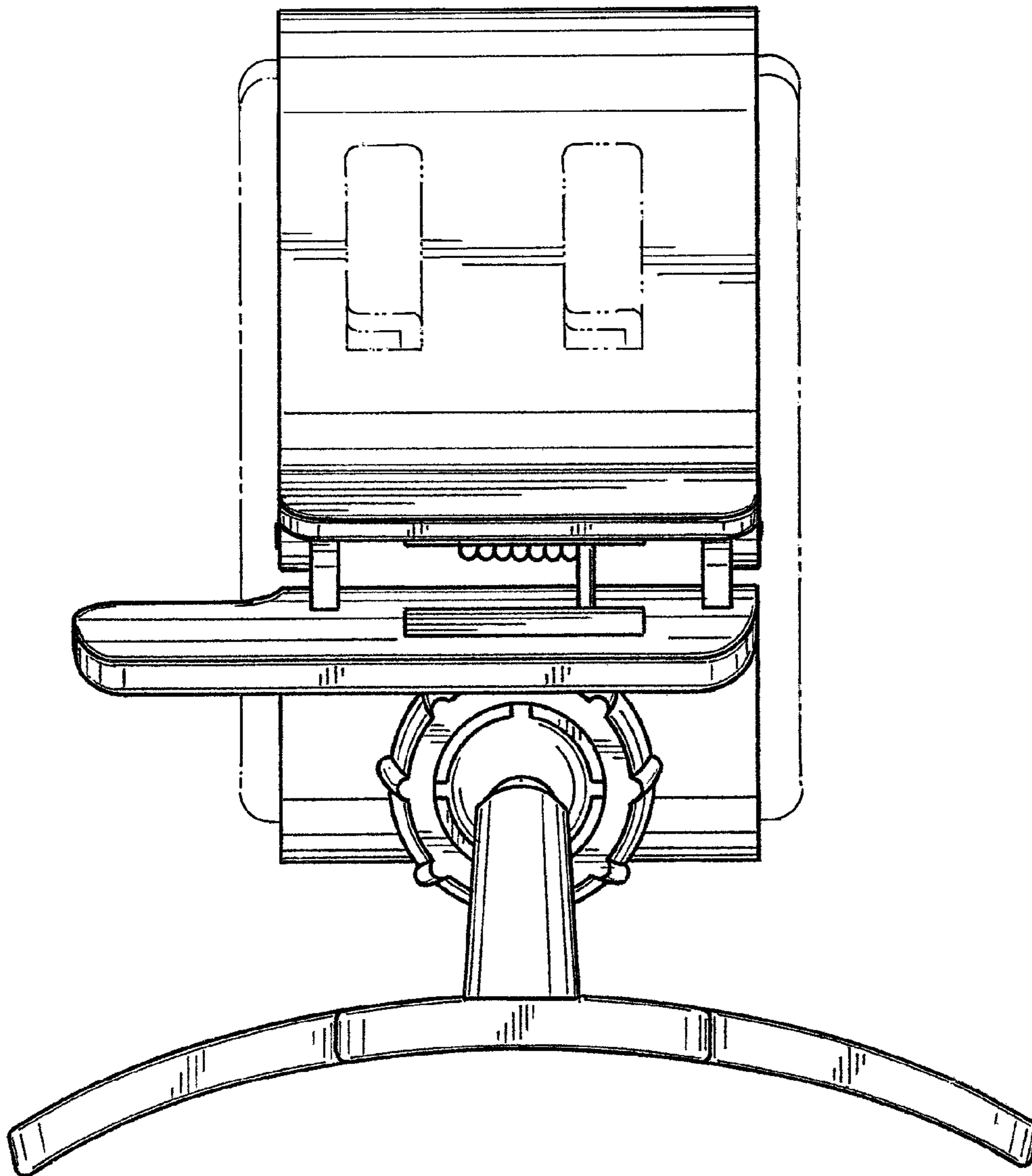


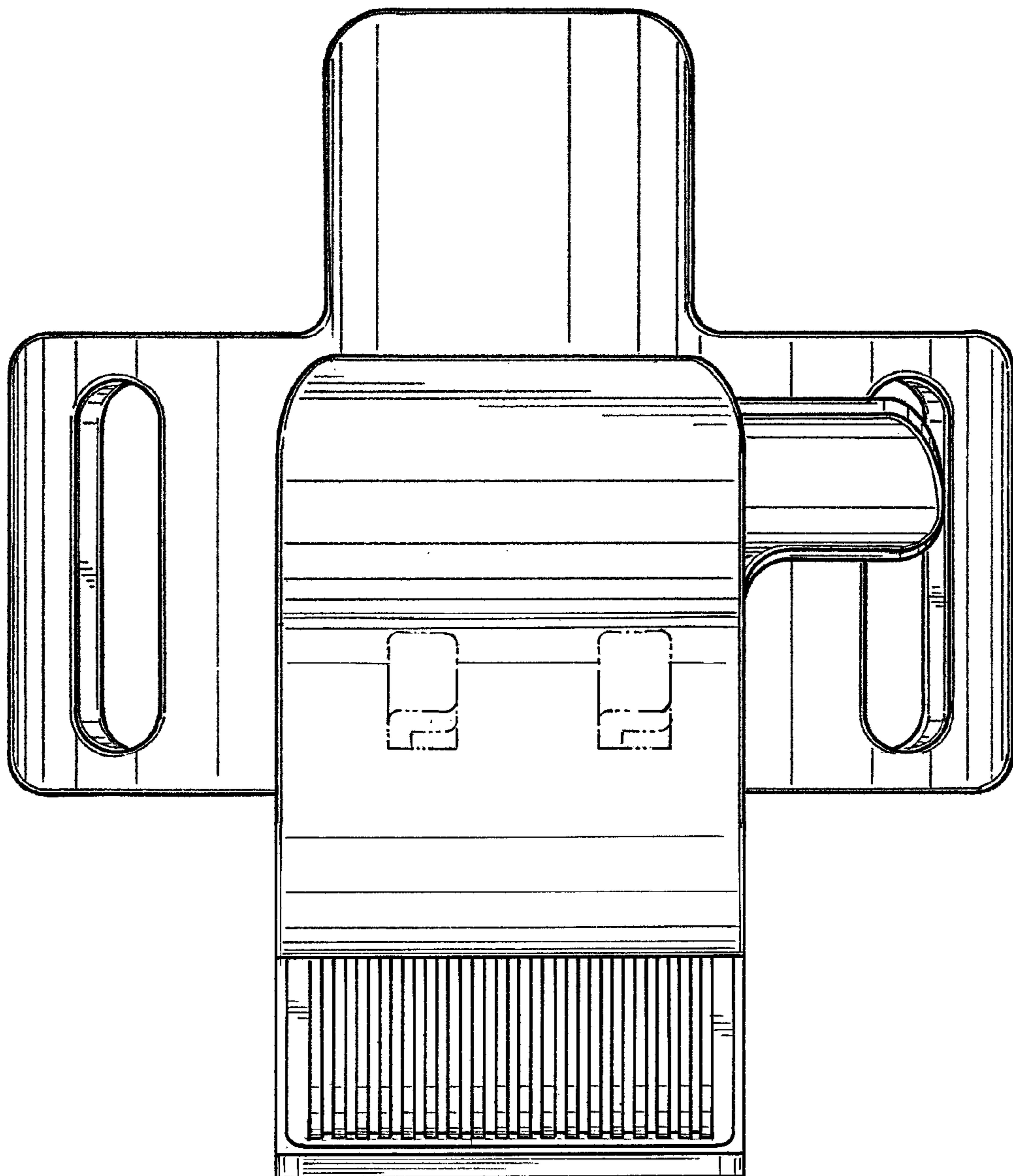
FIG. 4



*FIG. 5*



*FIG. 6*



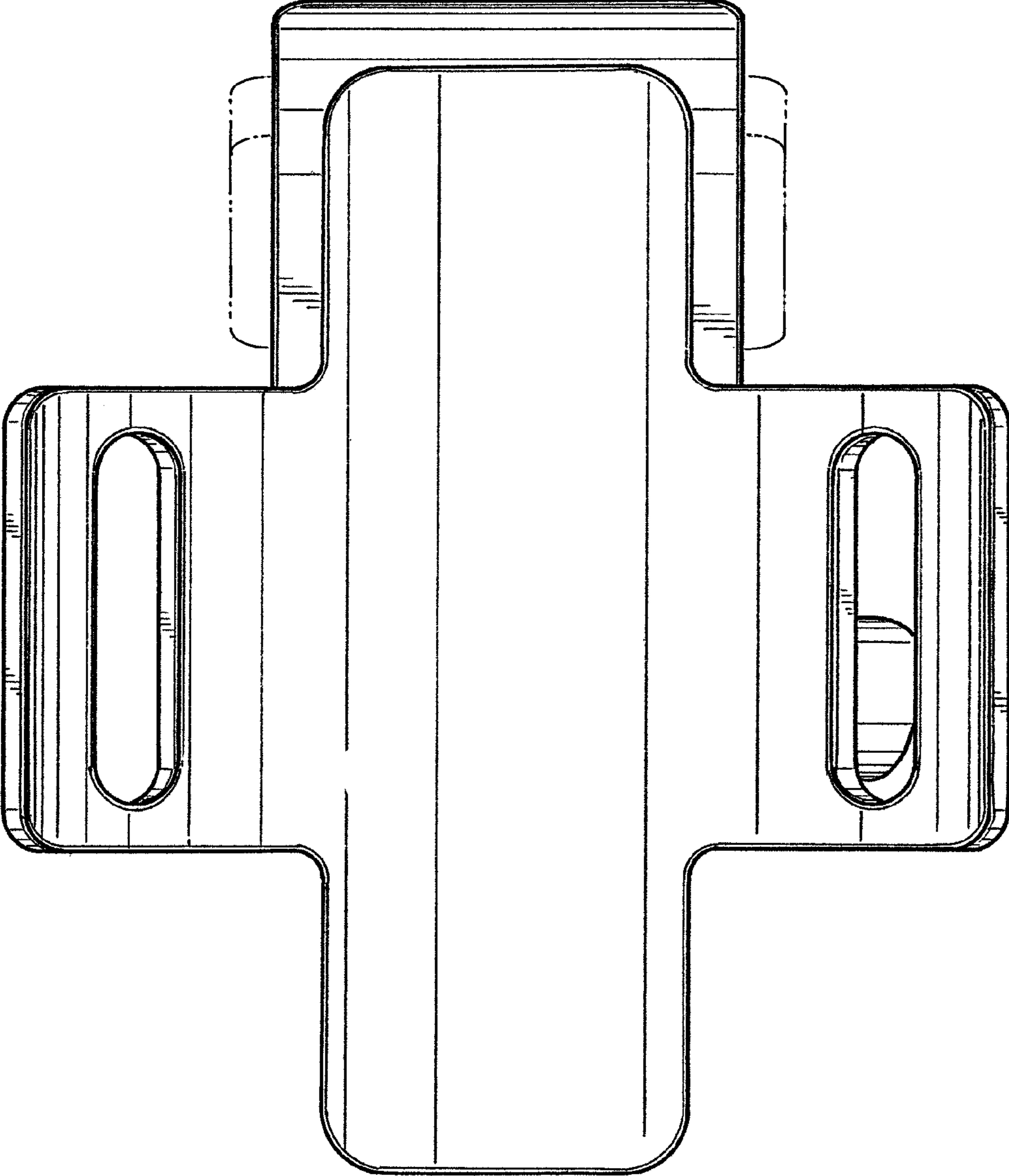


FIG. 7



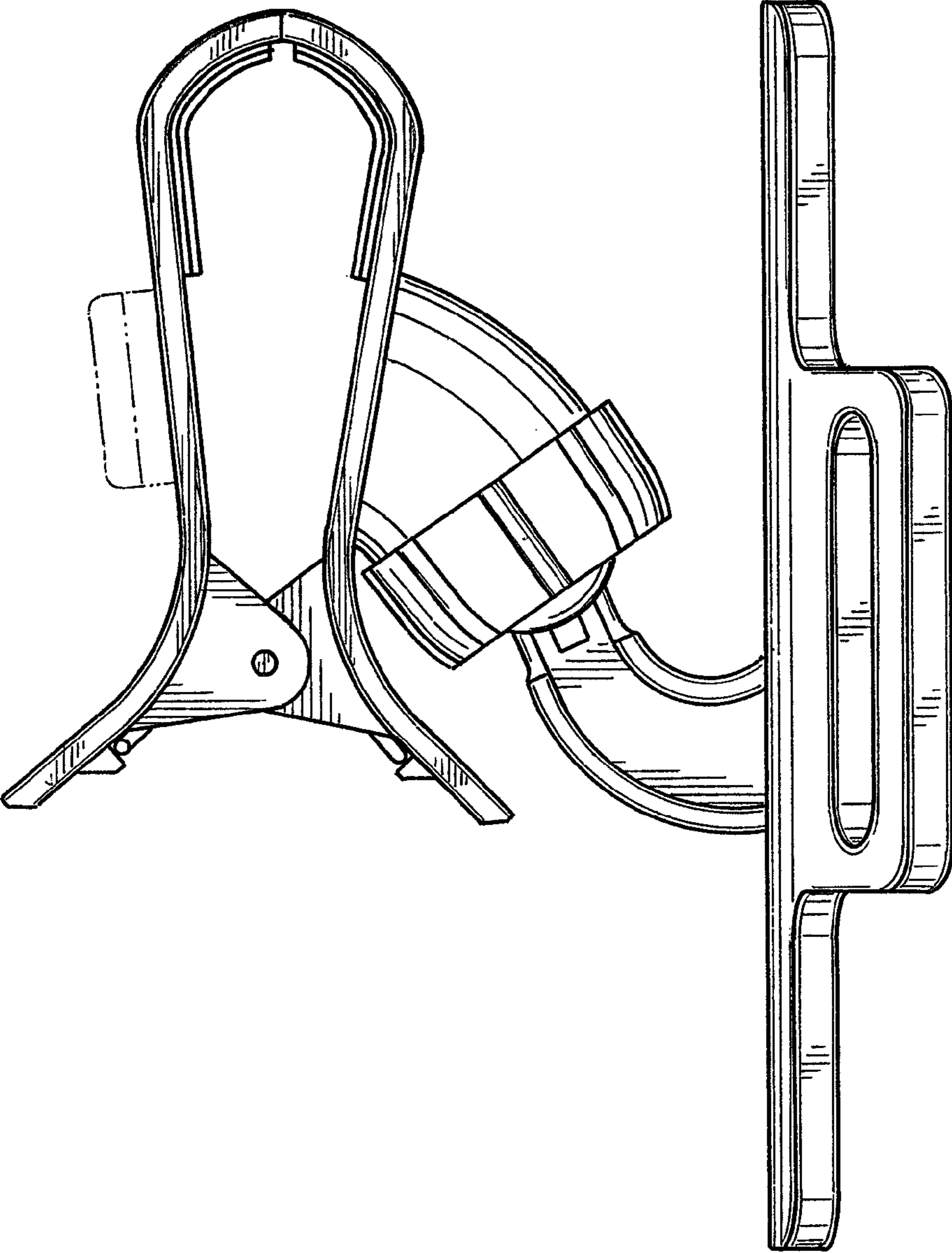


FIG. 8