



US00D704199S

(12) **United States Design Patent**
Byun

(10) **Patent No.:** **US D704,199 S**

(45) **Date of Patent:** **** May 6, 2014**

(54) **MOUNT FOR MOBILE DEVICE**

(56)

References Cited

(71) Applicant: **James Byun**, Brooklyn, NY (US)

U.S. PATENT DOCUMENTS

(72) Inventor: **James Byun**, Brooklyn, NY (US)

D454,136 S *	3/2002	Deuschle	D14/447
D614,613 S *	4/2010	Kim et al.	D14/253
D619,586 S *	7/2010	Richter	D14/447
D626,541 S *	11/2010	Kim et al.	D14/253
D630,222 S *	1/2011	Lin	D14/447
D650,372 S *	12/2011	Molter	D14/239
D654,120 S *	2/2012	Lin	D21/333
D654,493 S *	2/2012	Baumann et al.	D14/253
D695,732 S *	12/2013	Baumann et al.	D14/253
D696,259 S *	12/2013	Howarth et al.	D14/447
2010/0320341 A1 *	12/2010	Baumann et al.	248/206.2
2012/0168581 A1 *	7/2012	Cheng et al.	248/206.2

(73) Assignee: **iOttie, Inc.**, New York, NY (US)

(**) Term: **14 Years**

(21) Appl. No.: **29/463,401**

(22) Filed: **Nov. 12, 2013**

(51) **LOC (10) Cl.** **08-07**

* cited by examiner

(52) **U.S. Cl.**
USPC **D14/447**

Primary Examiner — Angela J Lee

(58) **Field of Classification Search**
CPC A47B 2097/005; A47B 2097/006;
A47B 21/04; A47B 2021/00; A47B 23/00;
A47B 23/043; A47B 2021/0314; A47B
2021/0307; A47B 2023/005; A47B 2023/049;
F16M 13/00; F16M 2200/00; H04B 1/3888;
H04M 1/04; H04M 1/185; A45C 13/002;
A45C 2011/002; A45C 2011/003; A45C
2013/025
USPC D14/447, 432, 434, 439, 440, 451, 452,
D14/457, 460, 461, 238.1, 250, 251, 253;
D3/218; D6/406.3, 406.4, 406.5,
D6/406.6; 248/444, 441.1, 188.6,
248/917-924; 361/679.02, 679.03, 679.04,
361/679.09, 679.21, 679.26, 679.27, 679.3,
361/679.55, 679.56

(57) **CLAIM**

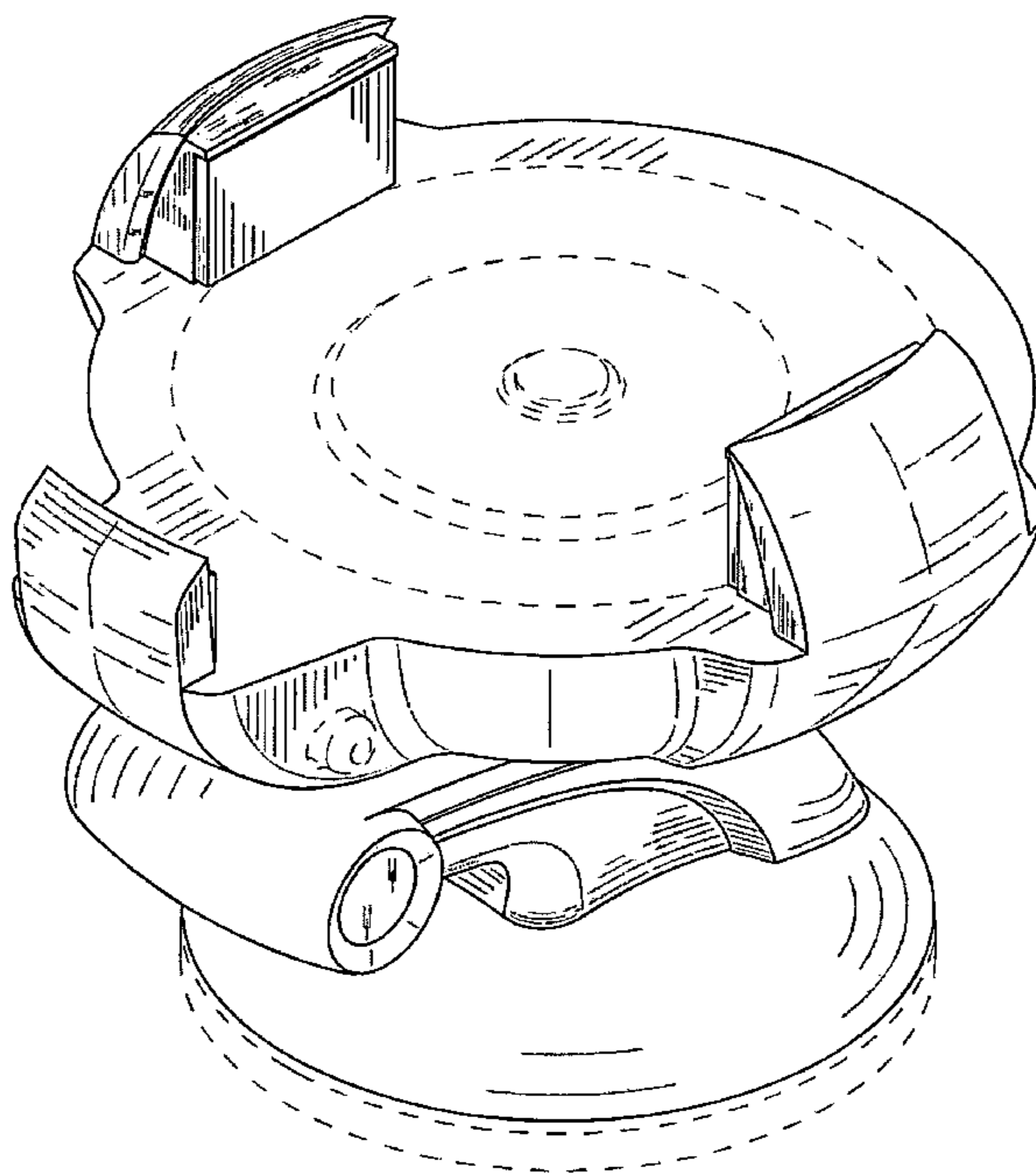
The ornamental design for a mount for mobile device, as shown and described.

DESCRIPTION

FIG. 1 is a front isometric view of a mount for mobile device showing our new design;
FIG. 2 is a rear isometric view thereof;
FIG. 3 is a front side view thereof;
FIG. 4 is a rear side view thereof;
FIG. 5 is a left side view thereof;
FIG. 6 is a right side view thereof;
FIG. 7 is a top side view thereof; and,
FIG. 8 is a bottom side view thereof.
The broken lines immediately adjacent to the shaded area represent unclaimed boundaries of the design. All other broken lines in the Figures show portions of the mount for mobile device for environmental purposes only and form no part of the claimed design.

See application file for complete search history.

1 Claim, 8 Drawing Sheets



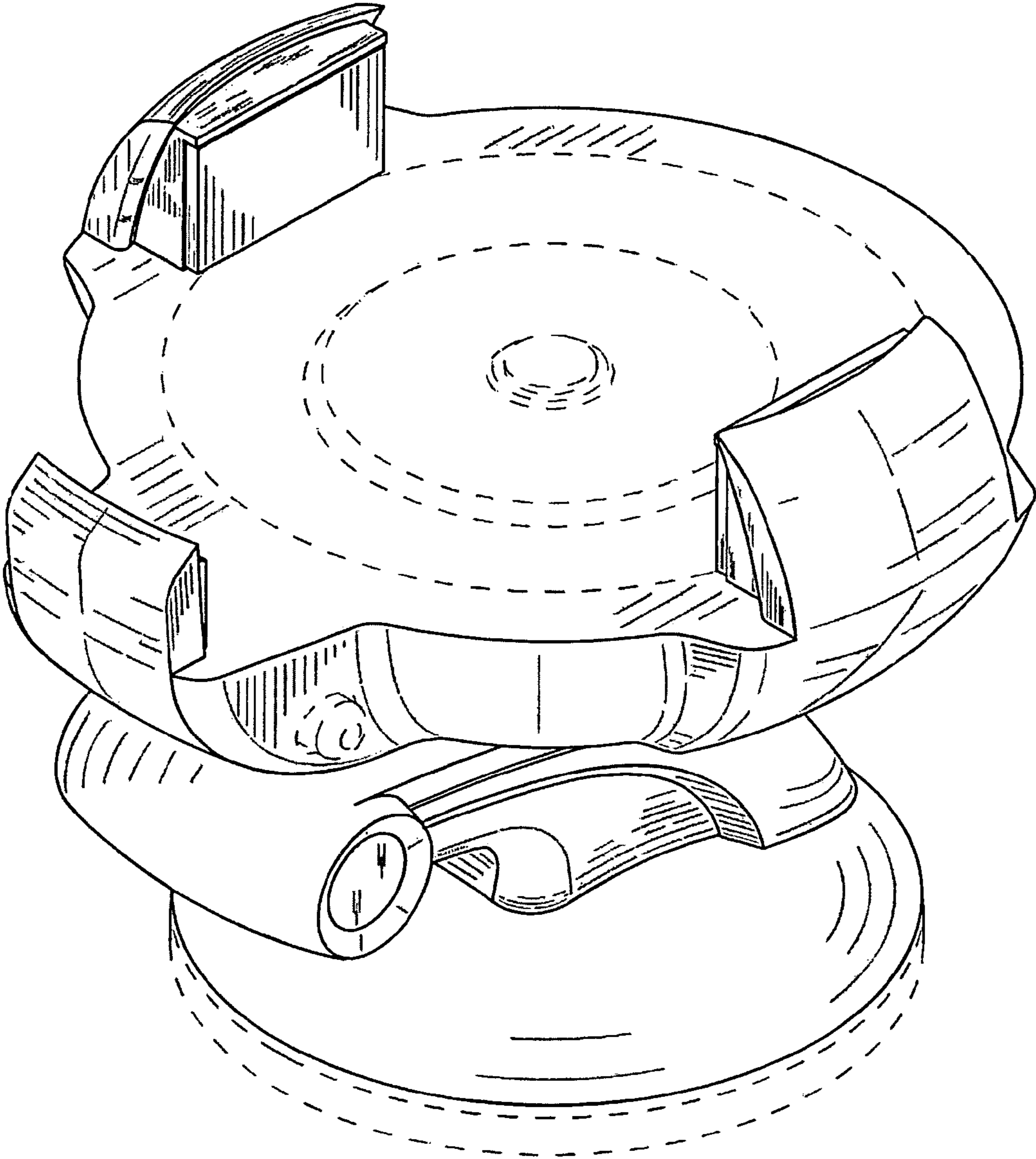


FIGURE 1

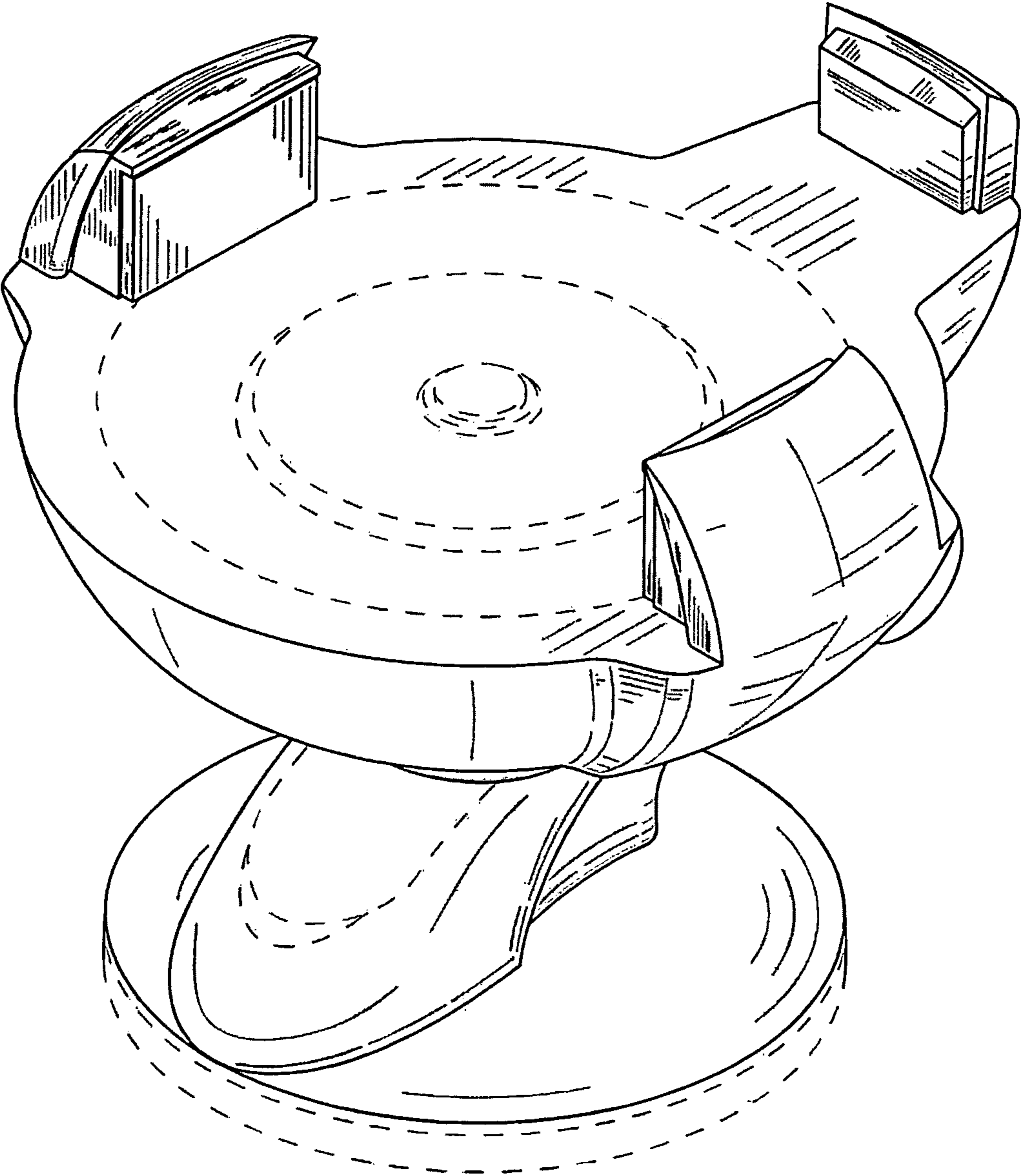


FIGURE 2

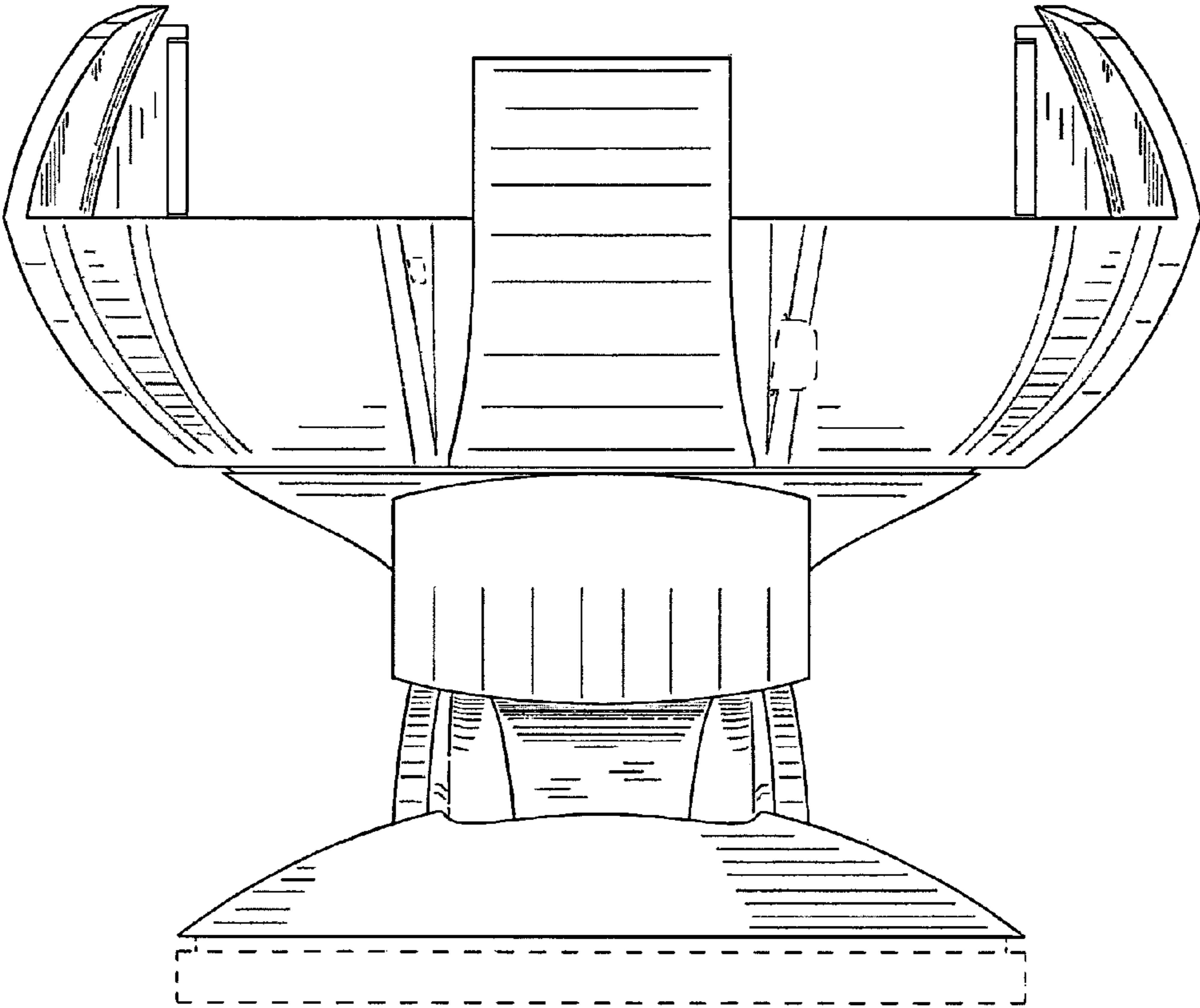


FIGURE 3

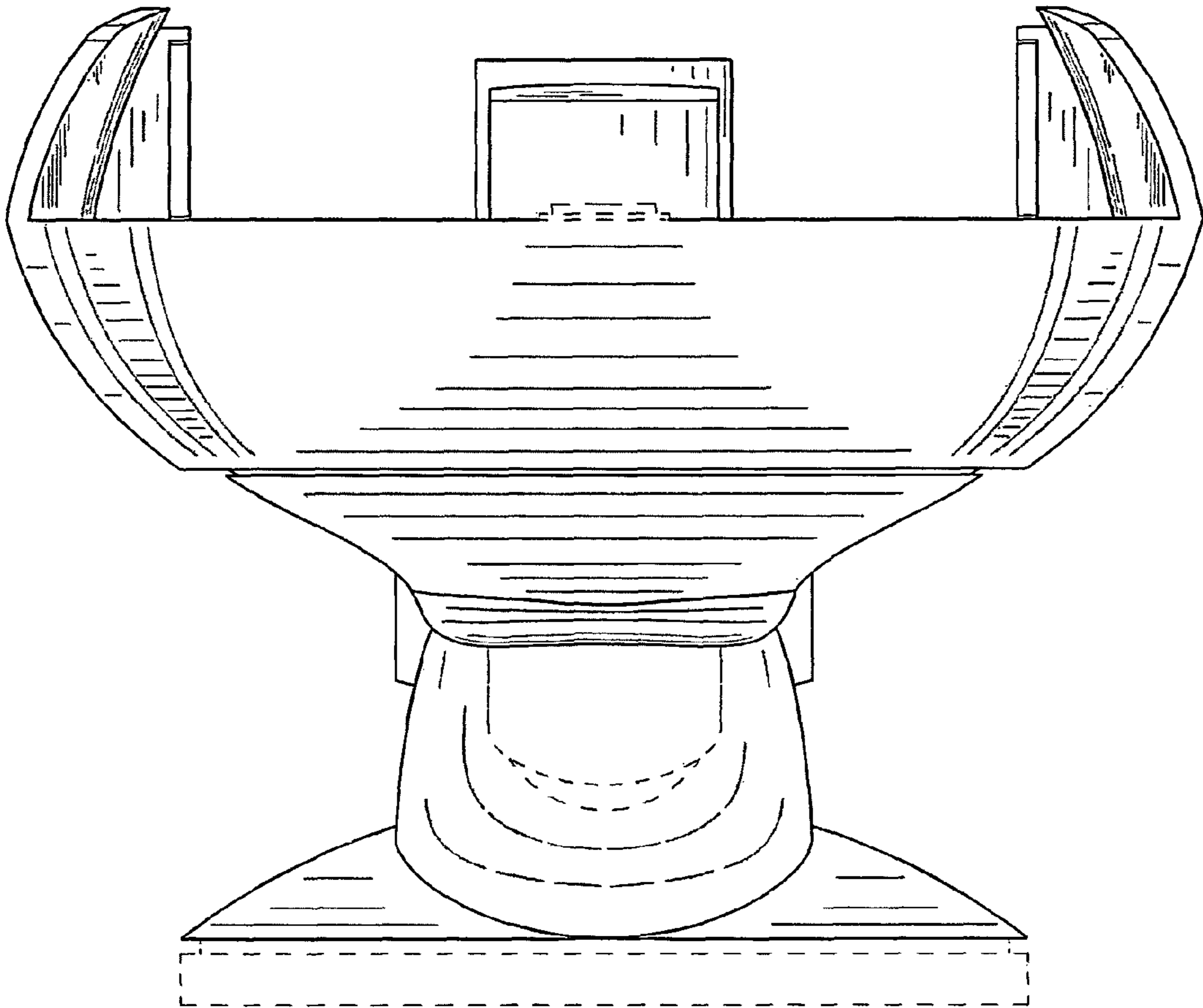


FIGURE 4

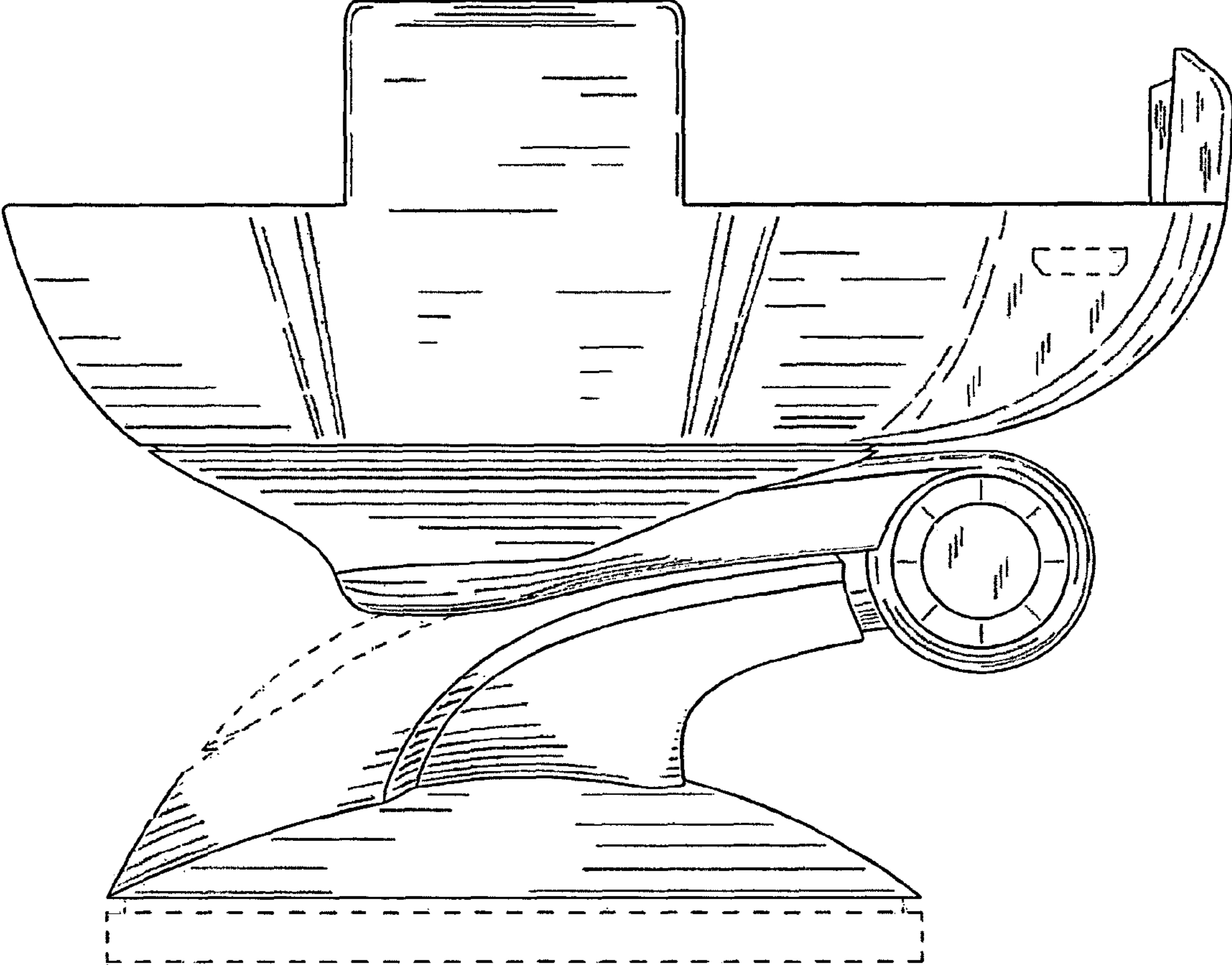


FIGURE 5

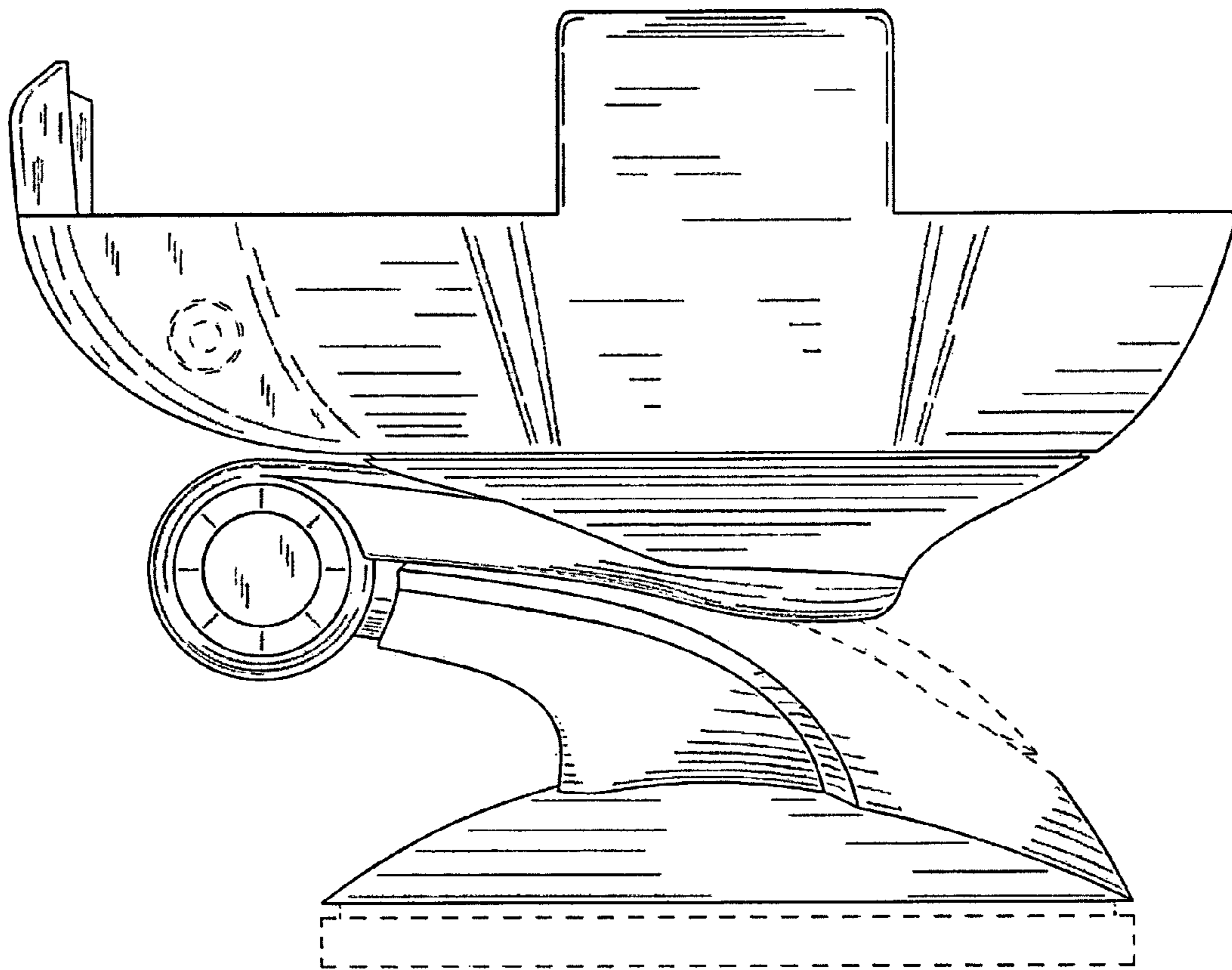


FIGURE 6

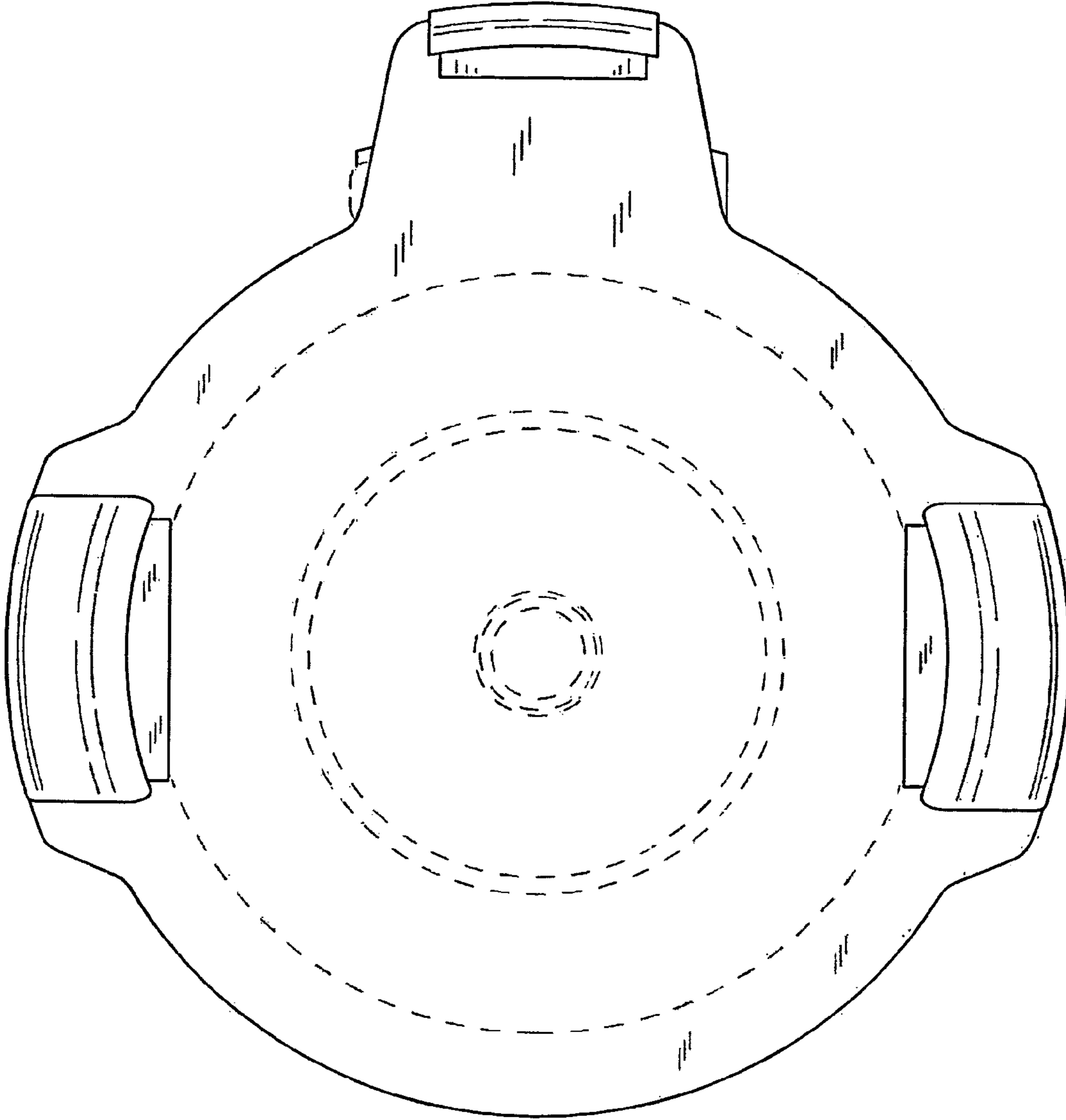


FIGURE 7

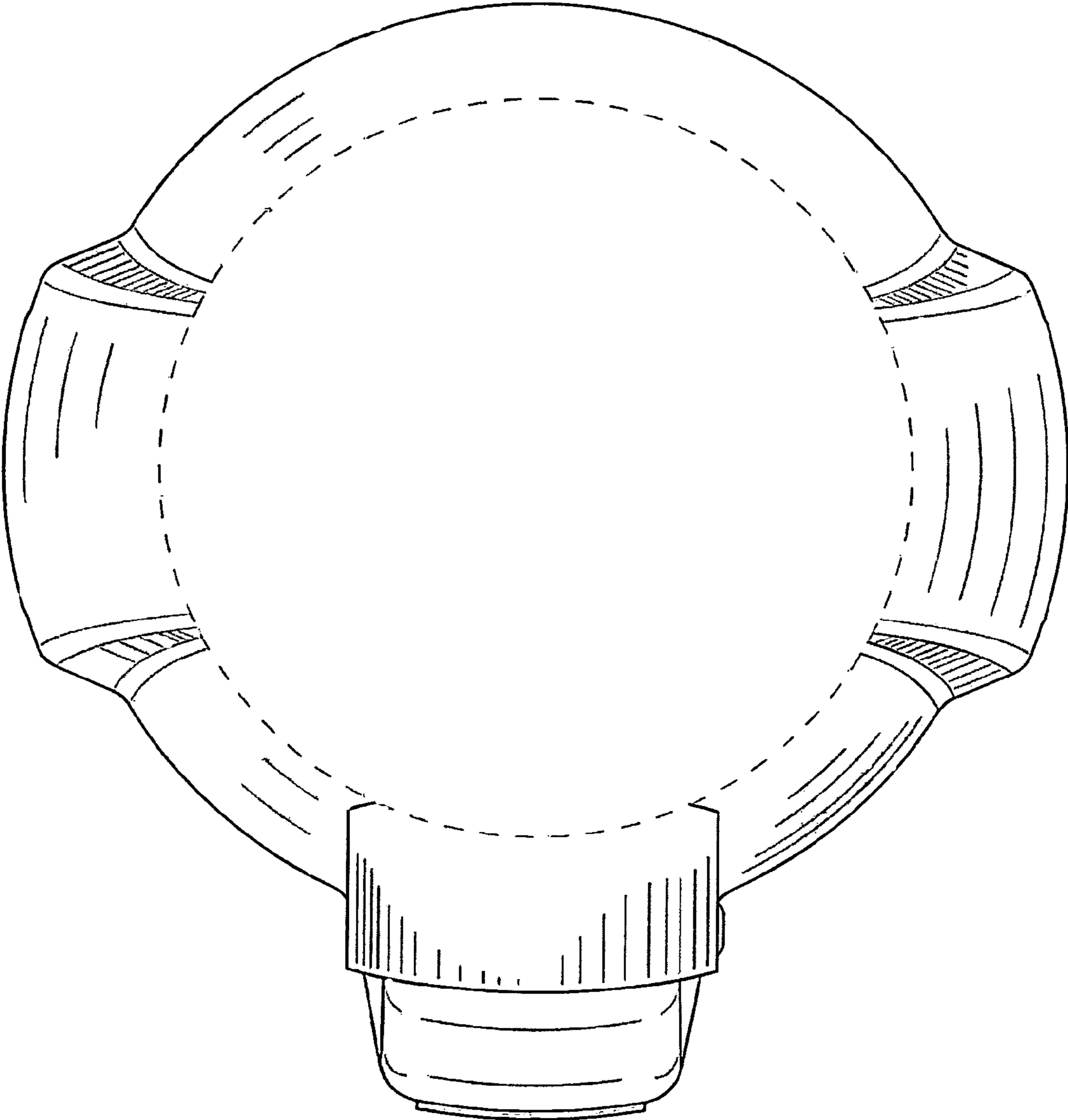


FIGURE 8