



US00D704197S

(12) **United States Design Patent**  
**Aber et al.**

(10) **Patent No.:** **US D704,197 S**

(45) **Date of Patent:** **\*\* May 6, 2014**

(54) **MEDICAL TABLET COMPUTER STAND**

(56) **References Cited**

(71) Applicant: **Everheart Systems Inc.**, Webster, TX  
(US)

U.S. PATENT DOCUMENTS

(72) Inventors: **Greg S. Aber**, Houston, TX (US); **Allan S. Rhoades**, Galveston, TX (US)

D637,187 S *	5/2011	Burns	.....	D14/253
D646,674 S *	10/2011	Liao	.....	D14/253
D658,167 S *	4/2012	Buesseler et al.	.....	D14/251
D670,691 S *	11/2012	Novak	.....	D14/253
D671,950 S *	12/2012	Richter	.....	D14/447
D684,979 S *	6/2013	Chun	.....	D14/447
D685,379 S *	7/2013	Richter	.....	D14/447
D685,380 S *	7/2013	Richter	.....	D14/447
D691,991 S *	10/2013	Mohan	.....	D14/250
D692,436 S *	10/2013	Hung	.....	D14/447

(73) Assignee: **Everheart Systems Inc.**, Webster, TX  
(US)

\* cited by examiner

(\*\*) Term: **14 Years**

*Primary Examiner* — Angela J Lee

(21) Appl. No.: **29/457,098**

(74) *Attorney, Agent, or Firm* — James W. Hill; McDermott Will & Emery LLP

(22) Filed: **Jun. 6, 2013**

(57) **CLAIM**

(51) **LOC (10) Cl.** ..... **08-07**

We claim the ornamental design for a medical tablet computer stand, as shown and described.

(52) **U.S. Cl.**

**DESCRIPTION**

USPC ..... **D14/447**

(58) **Field of Classification Search**

USPC ..... D14/447, 451, 457, 432, 434, 439, 440,  
D14/217, 238.1, 250, 251, 253; D6/406.1,  
D6/406.2, 406.3, 406.4, 406.5, 406.6;  
D12/415; D13/108, 110; D8/363;  
D21/333; 248/917-924, 133, 136, 139,  
248/150, 176.1, 188.6; 361/679.09, 679.21,  
361/679.22, 679.24, 679.26, 679.27,  
361/679.28, 679.3, 679.55, 679.56, 709

FIG. 1 shows a perspective view of a medical tablet computer stand;

FIG. 2 shows a front view thereof;

FIG. 3 shows a right side view thereof;

FIG. 4 shows a left side view thereof;

FIG. 5 shows a top view thereof;

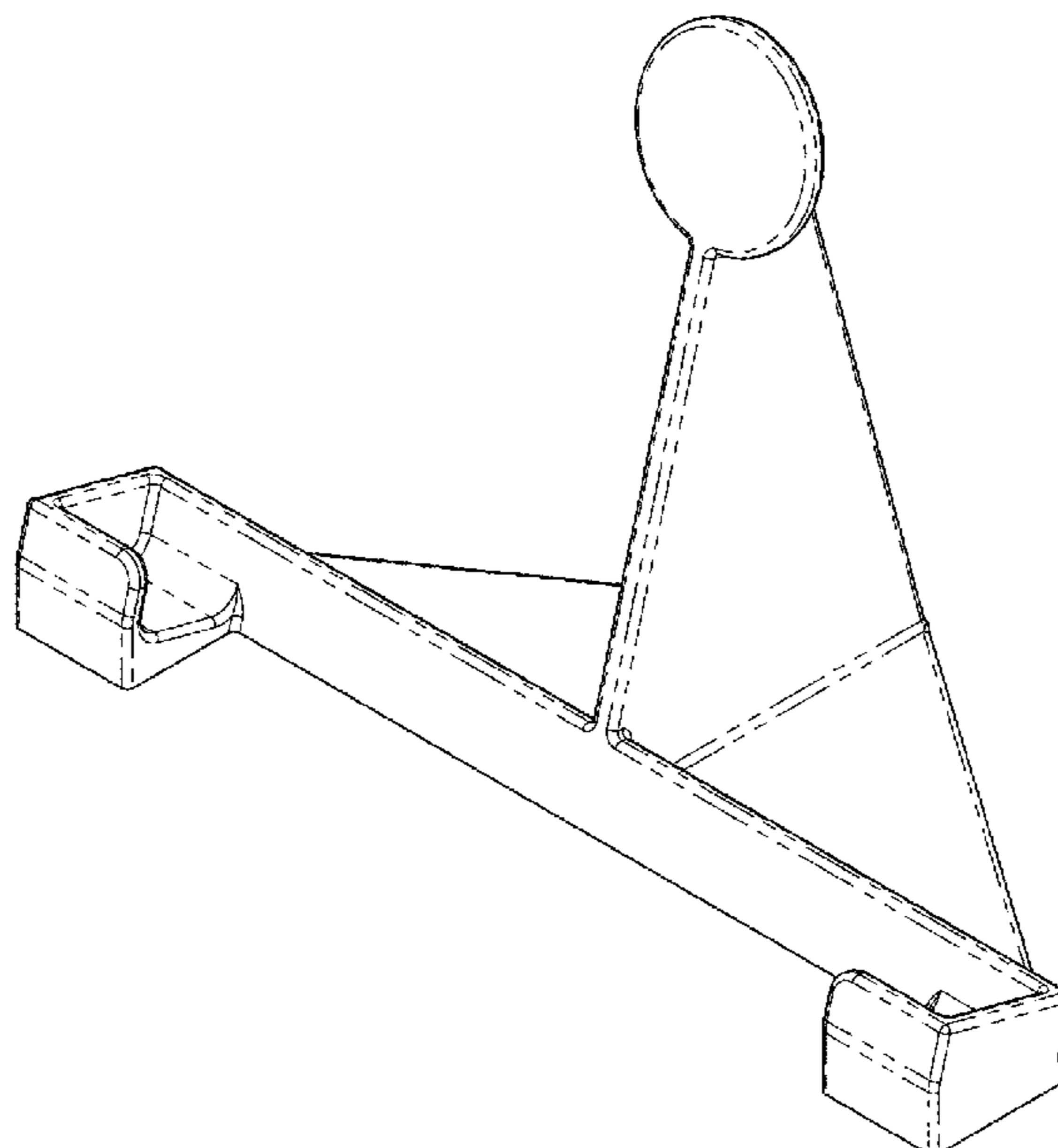
FIG. 6 shows a bottom view thereof; and,

FIG. 7 shows a back view thereof.

The dotted lines are for the purpose of illustrating portions of the medical tablet computer stand and form no part of the claimed design. The dashed lines on the surface portions indicate contour and not surface decoration.

See application file for complete search history.

**1 Claim, 5 Drawing Sheets**



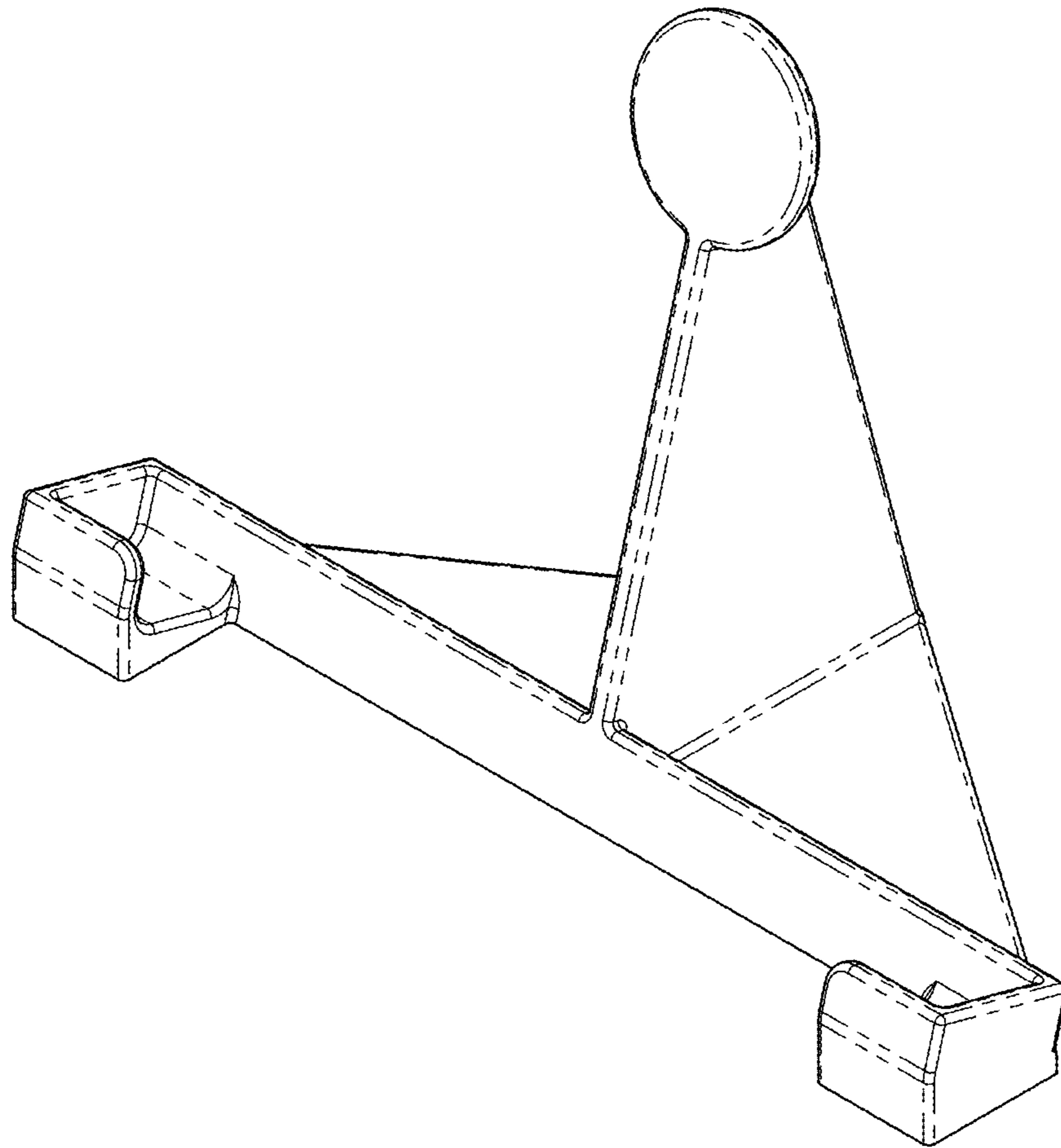


FIG 1

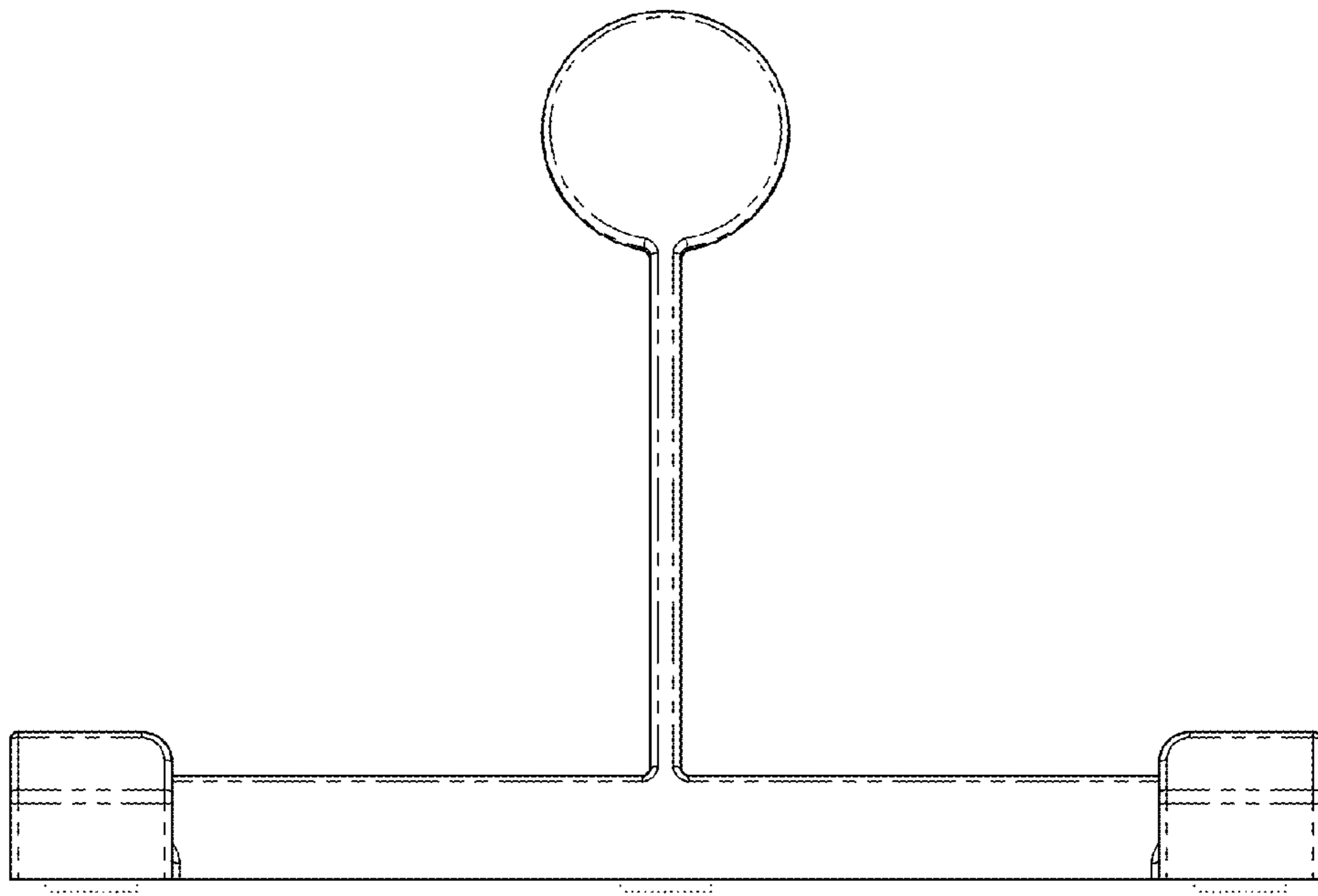


FIG 2

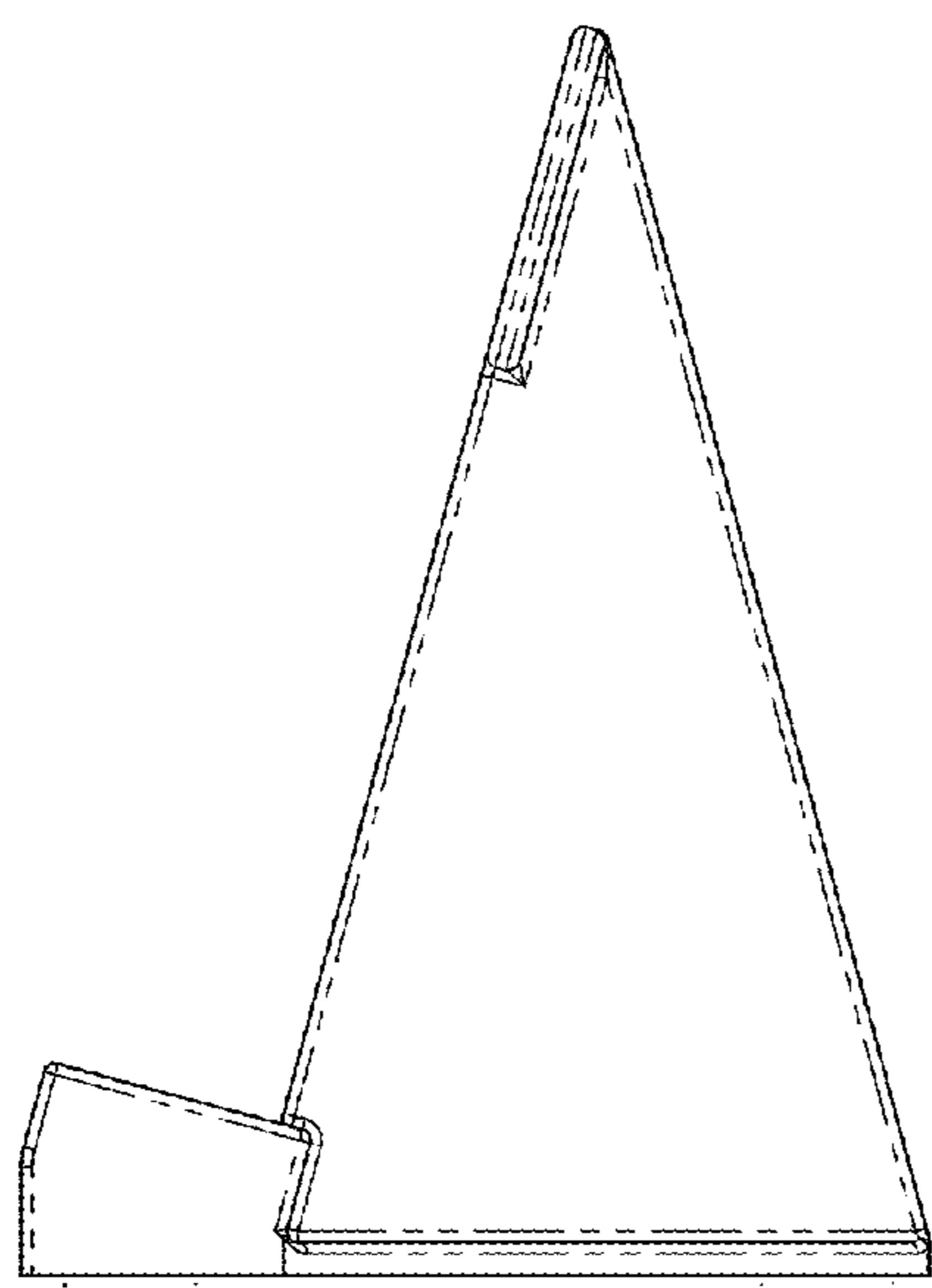


FIG 3

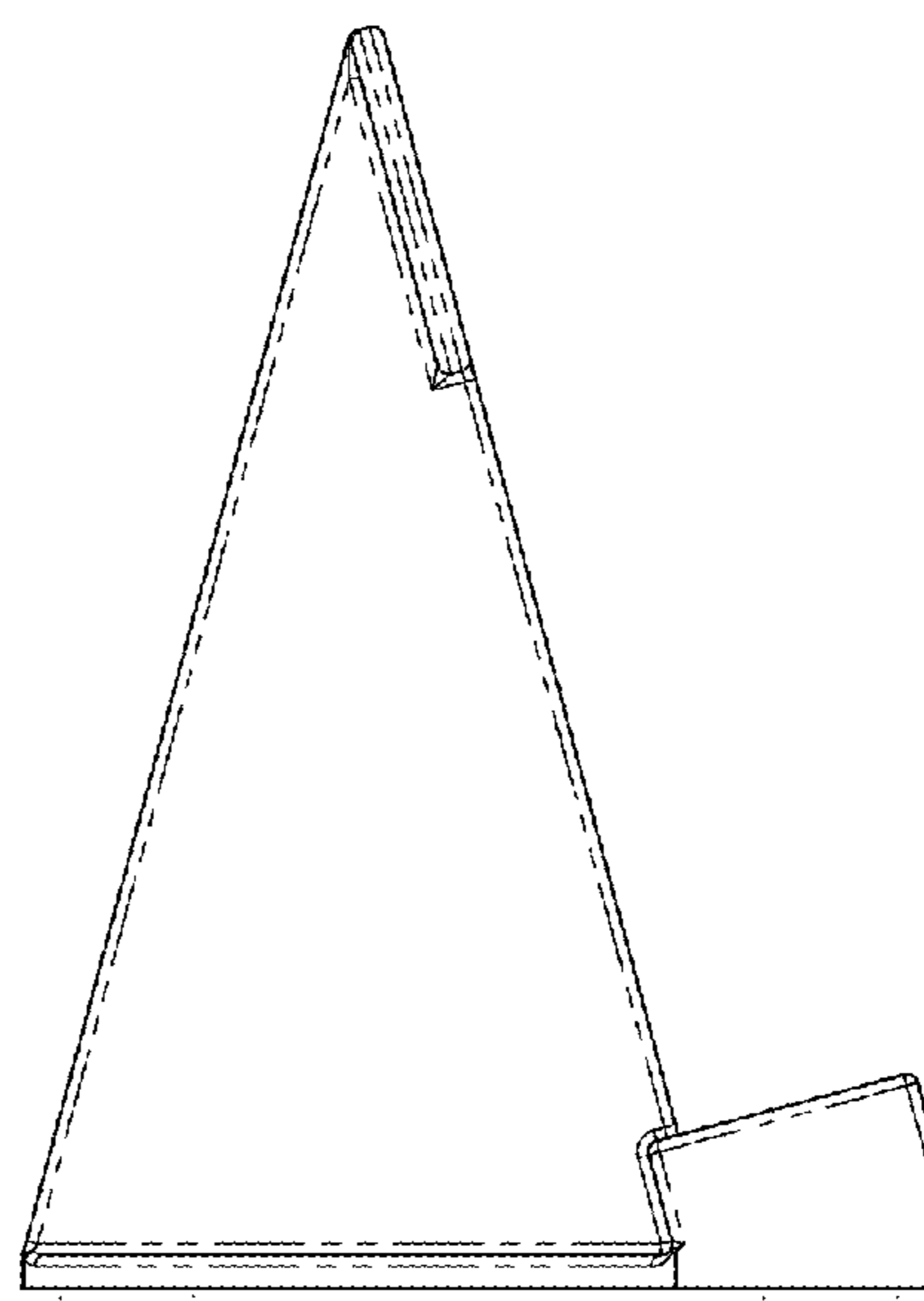


FIG 4

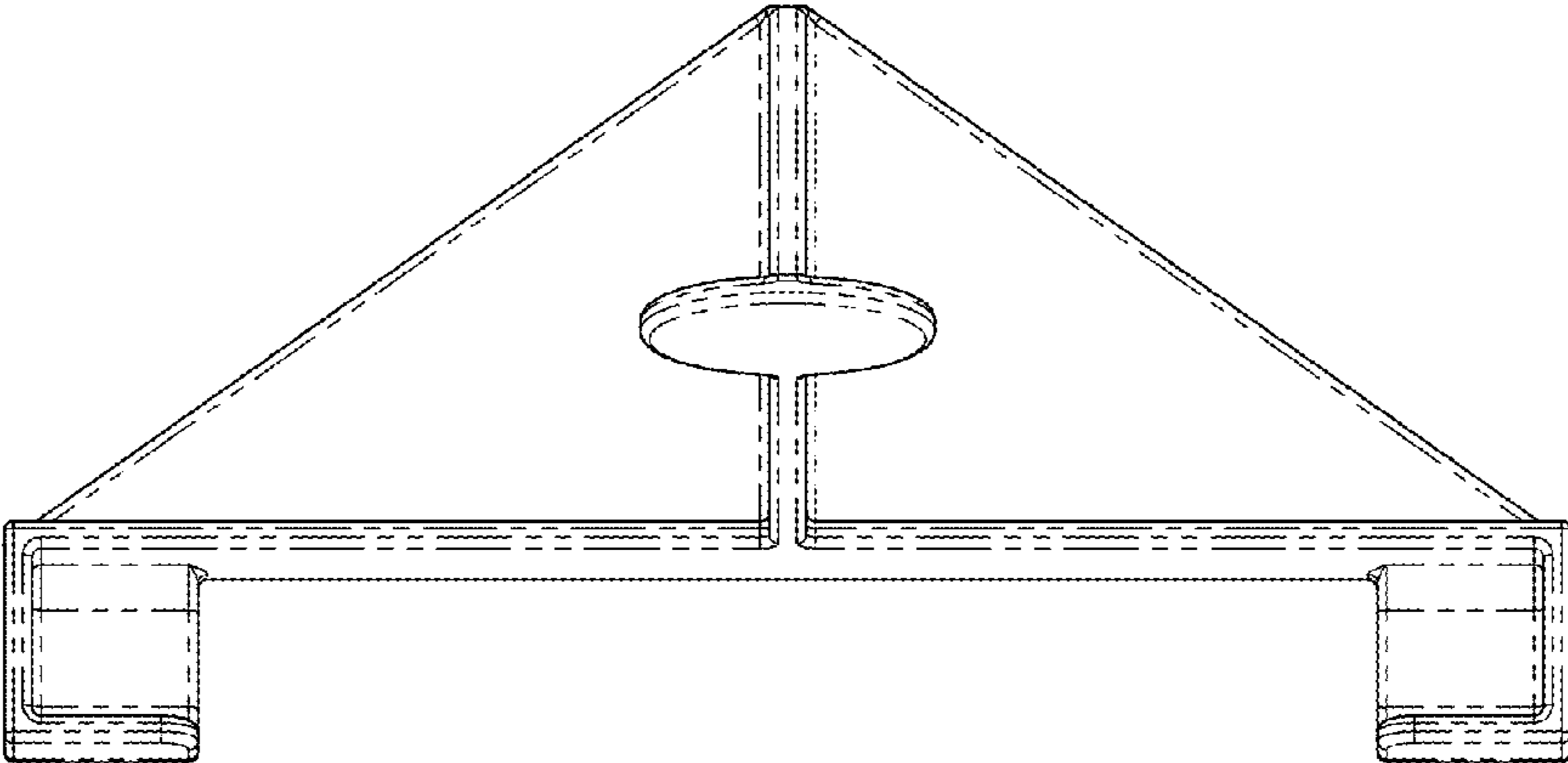


FIG 5

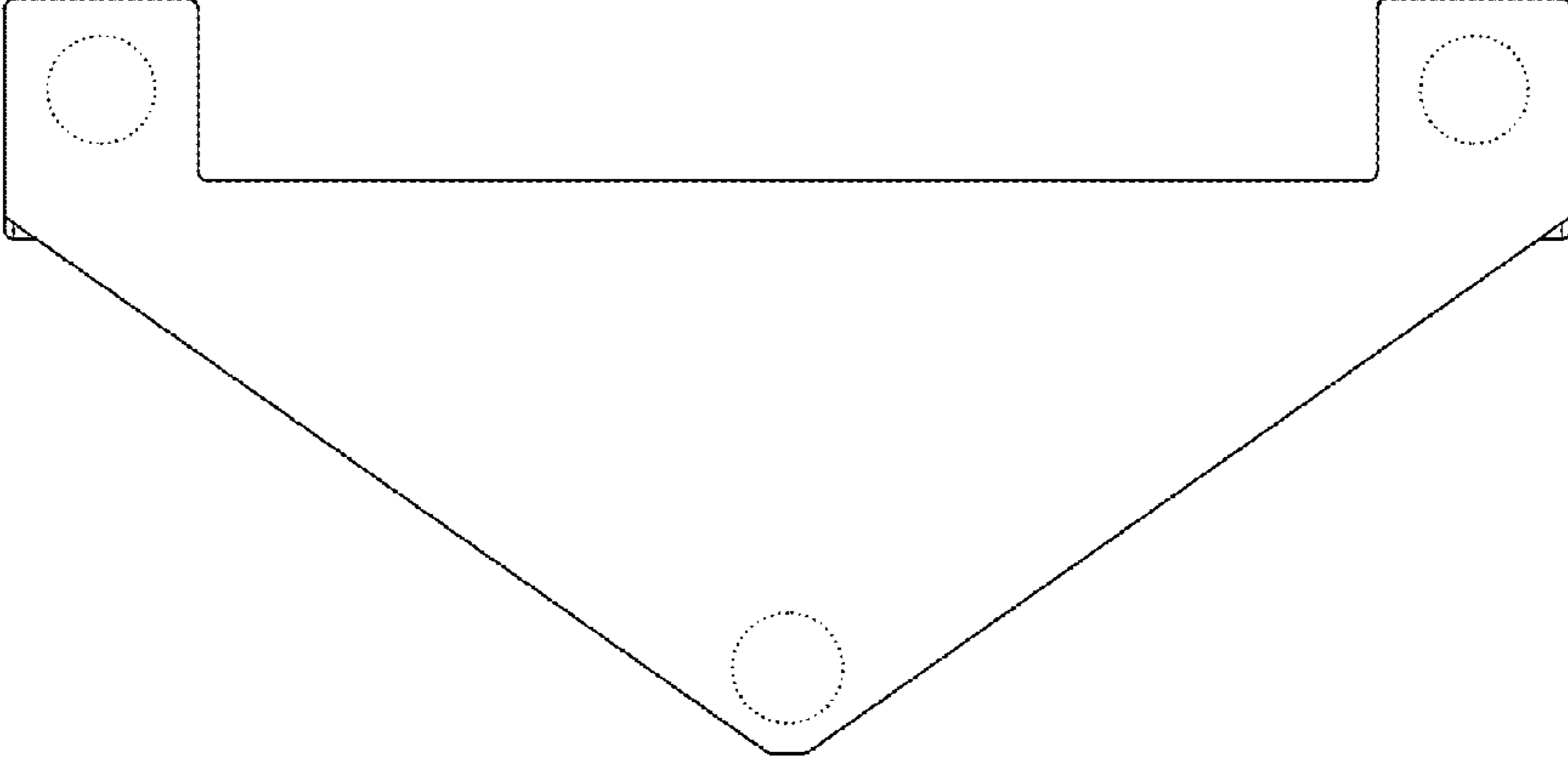


FIG 6

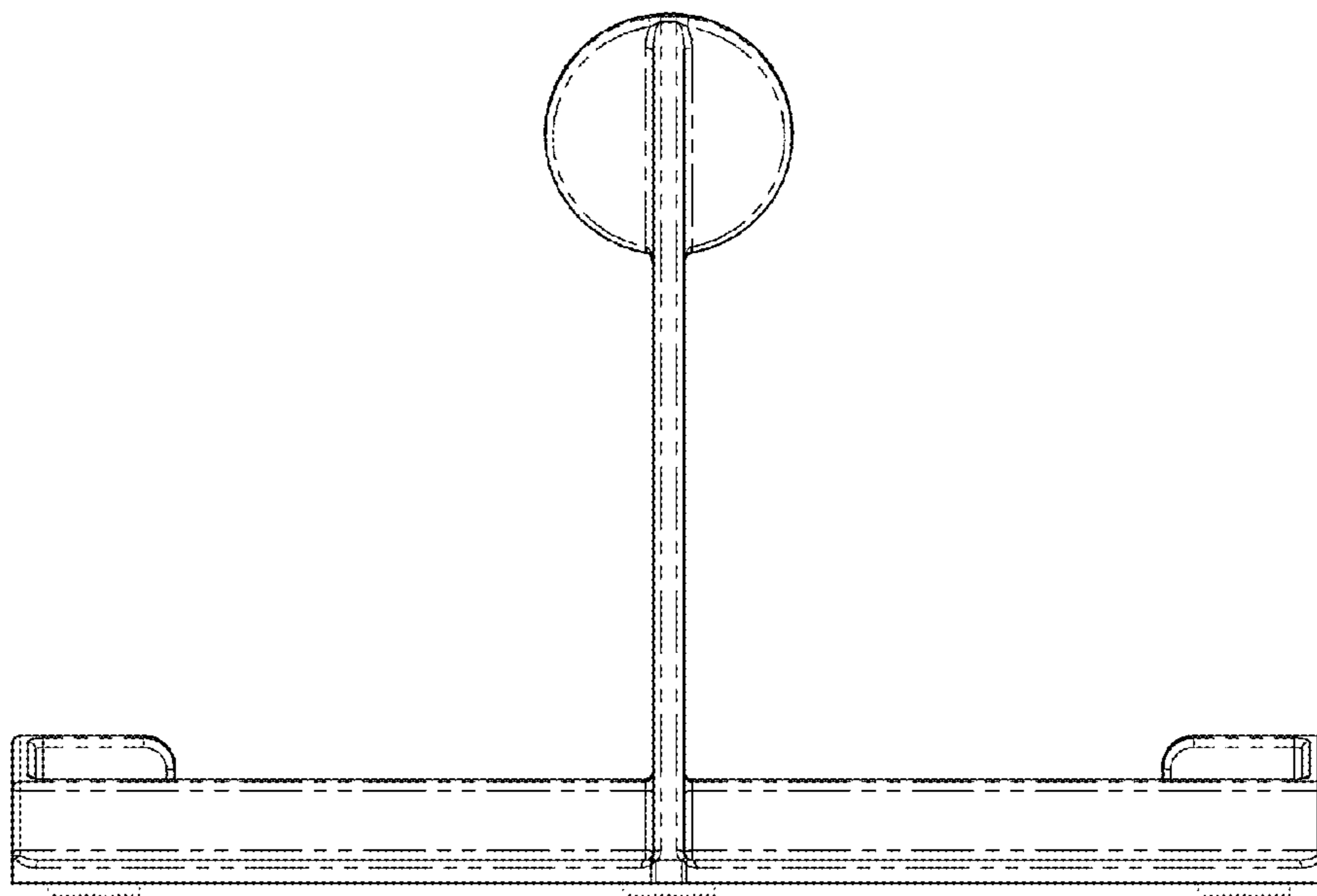


FIG 7