



US00D704195S

(12) **United States Design Patent**  
**Marquette**

(10) **Patent No.:** **US D704,195 S**

(45) **Date of Patent:** **\*\* May 6, 2014**

(54) **TABLET COMPUTER HOLDER**

(56)

**References Cited**

(71) Applicant: **Rollin Marquette**, Minneapolis, MN  
(US)

(72) Inventor: **Rollin Marquette**, Minneapolis, MN  
(US)

(\*\*) Term: **14 Years**

(21) Appl. No.: **29/448,952**

(22) Filed: **Mar. 14, 2013**

(51) **LOC (10) Cl.** ..... **14-04**

(52) **U.S. Cl.**  
USPC ..... **D14/447**

(58) **Field of Classification Search**  
USPC ..... D14/447, 432, 434, 439, 448, 451, 452,  
D14/457, 239, 250, 251, 253, 238.1, 440,  
D14/205, 223, 224, 224.1, 229; D13/108;  
D6/406.1, 406.2, 406.3, 406.4, 406.5,  
D6/406.6, 601; 248/917-924, 363, 445,  
248/447, 451, 455, 456, 460, 371, 166, 434,  
248/188.6; 361/726, 679.02, 679.09,  
361/679.21, 679.22, 679.26, 679.27,  
361/679.29, 679.3, 679.55, 679.56

See application file for complete search history.

U.S. PATENT DOCUMENTS

D549,709 S *	8/2007	Richter .....	D14/447
D589,964 S *	4/2009	Heggland et al. ....	D14/434
D593,104 S *	5/2009	Gillespie .....	D14/451
D598,458 S *	8/2009	Li .....	D14/451
D615,072 S *	5/2010	Saitou .....	D14/239
D638,638 S *	5/2011	Fitzpatrick et al. ....	D6/429
D650,372 S *	12/2011	Molter .....	D14/239
D654,120 S *	2/2012	Lin .....	D21/333
D671,110 S *	11/2012	Choi .....	D14/253
D674,805 S *	1/2013	Vincent .....	D14/447
D677,261 S *	3/2013	Hsu et al. ....	D14/447
D678,297 S *	3/2013	Willkomm .....	D14/447
D684,980 S *	6/2013	Chun .....	D14/447

\* cited by examiner

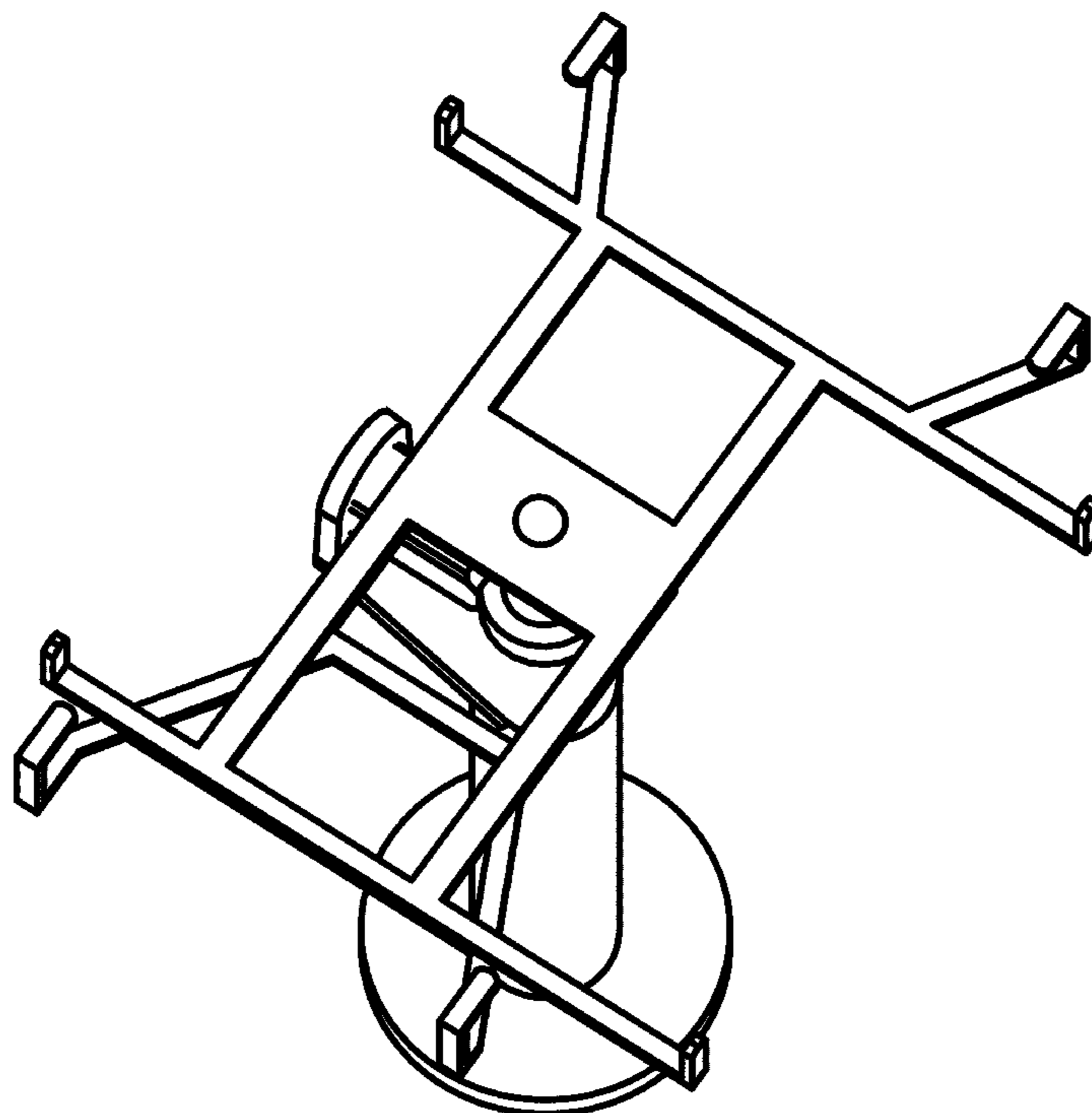
*Primary Examiner* — Angela J Lee  
(74) *Attorney, Agent, or Firm* — Roger Belflay

(57) **CLAIM**  
The ornamental design for the tablet computer holder, as shown and described.

**DESCRIPTION**

FIG. 1 is a perspective view of the tablet computer holder.  
FIG. 2 is a second perspective view of the tablet computer holder.  
FIG. 3 is a third perspective view of the tablet computer holder.  
FIG. 4 is a top view of the tablet computer holder.  
FIG. 5 is a front view of the tablet computer holder; and,  
FIG. 6 is a side view of the tablet computer holder.

**1 Claim, 6 Drawing Sheets**



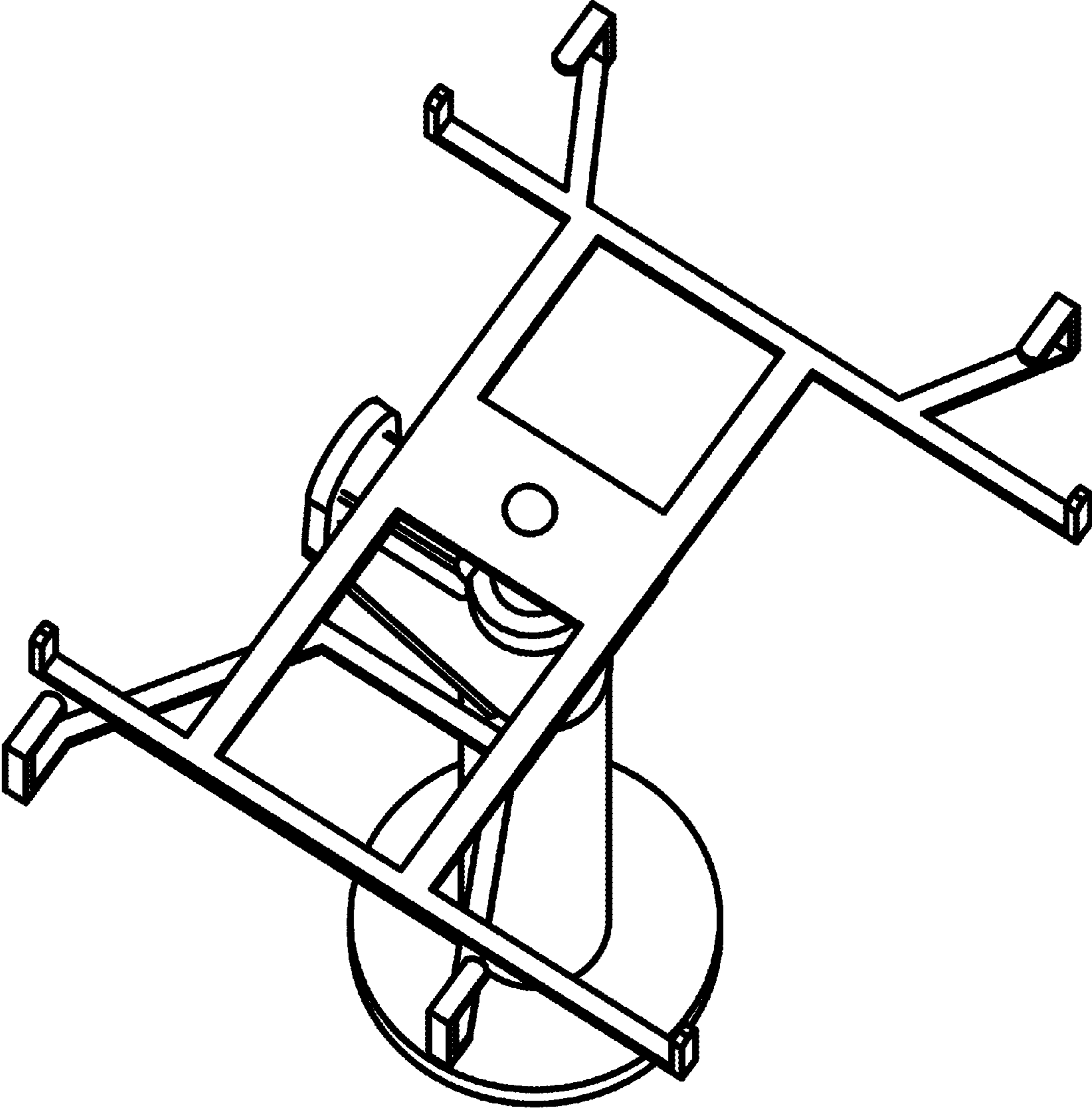


FIG. 1

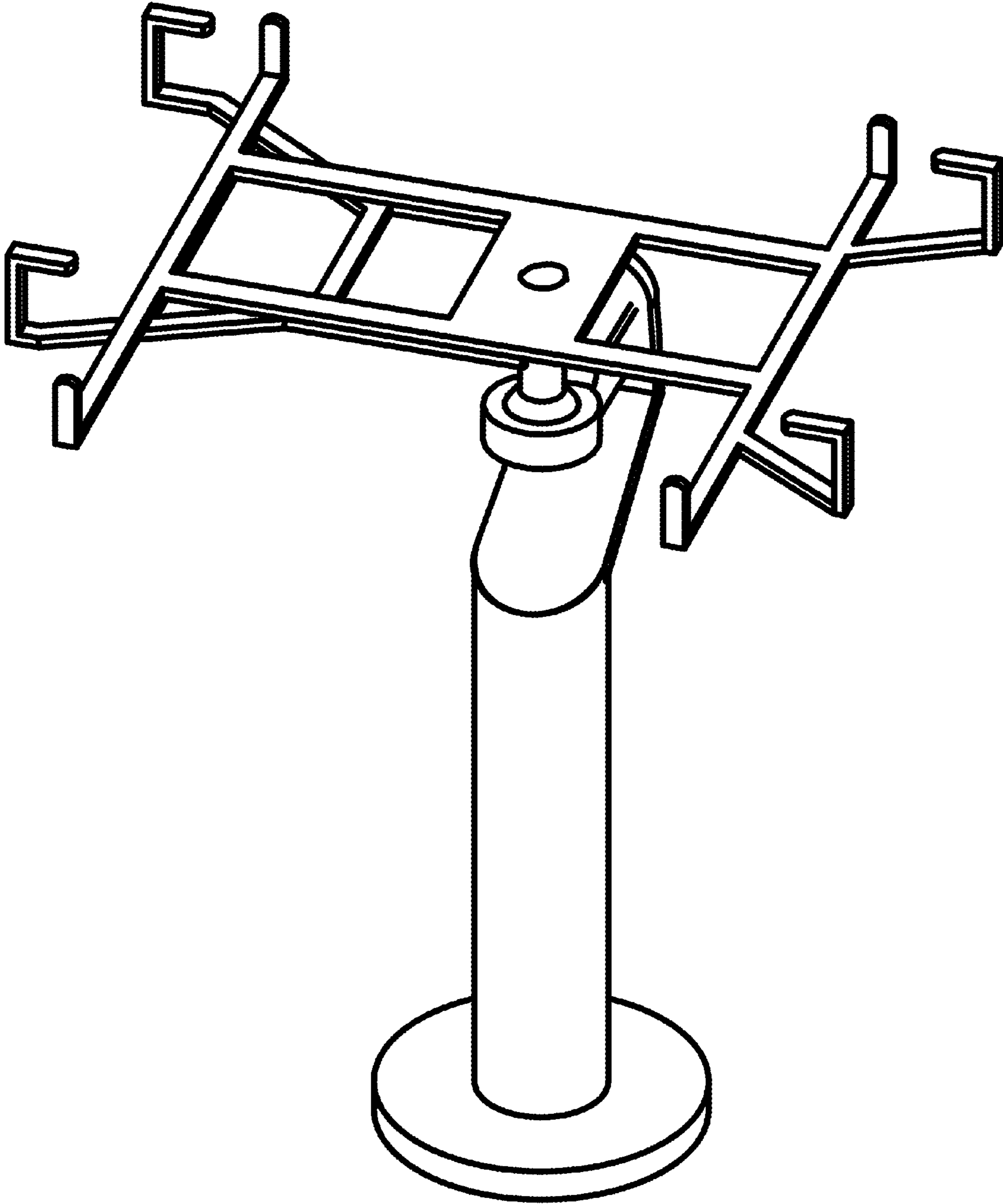


FIG. 2

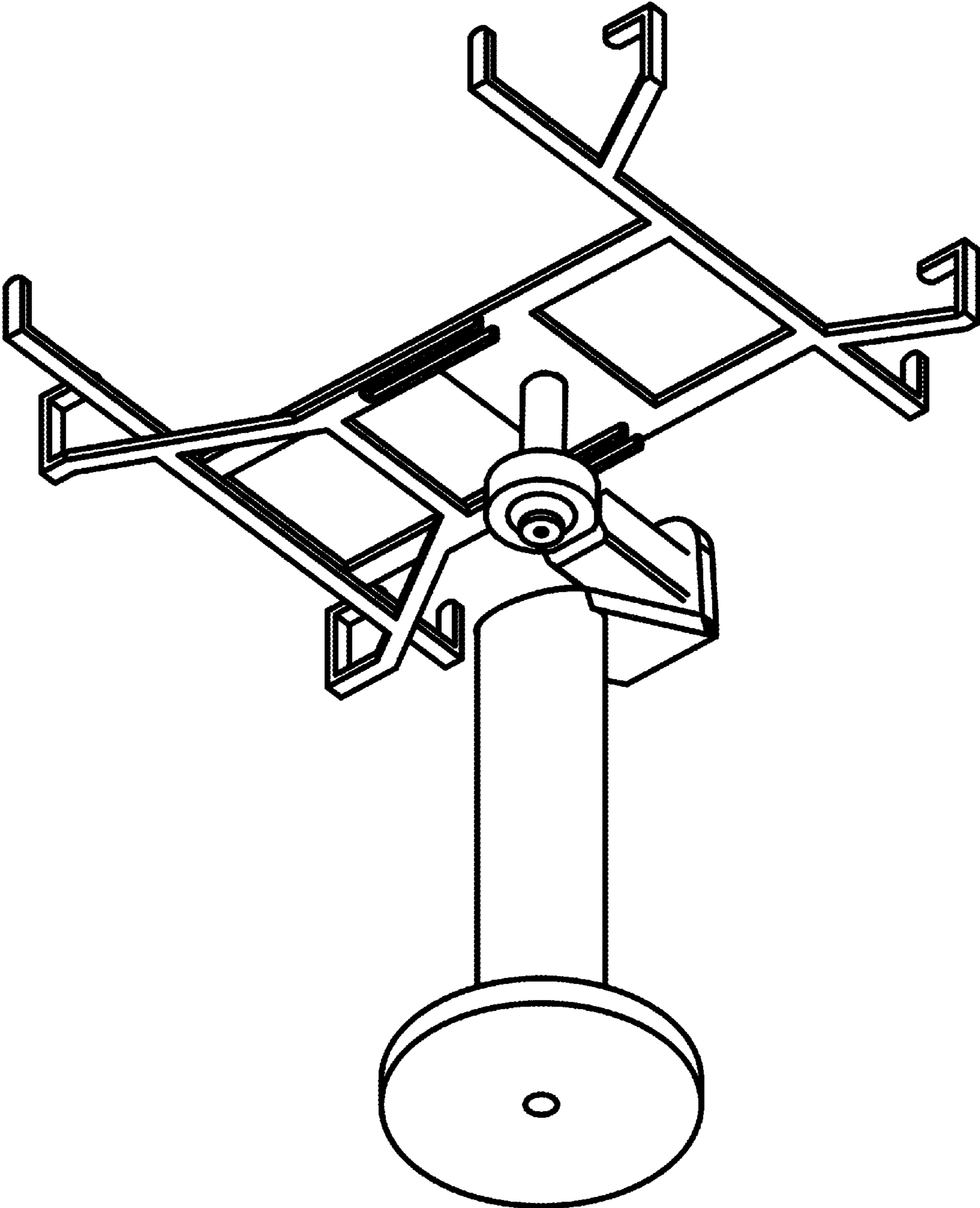


FIG. 3

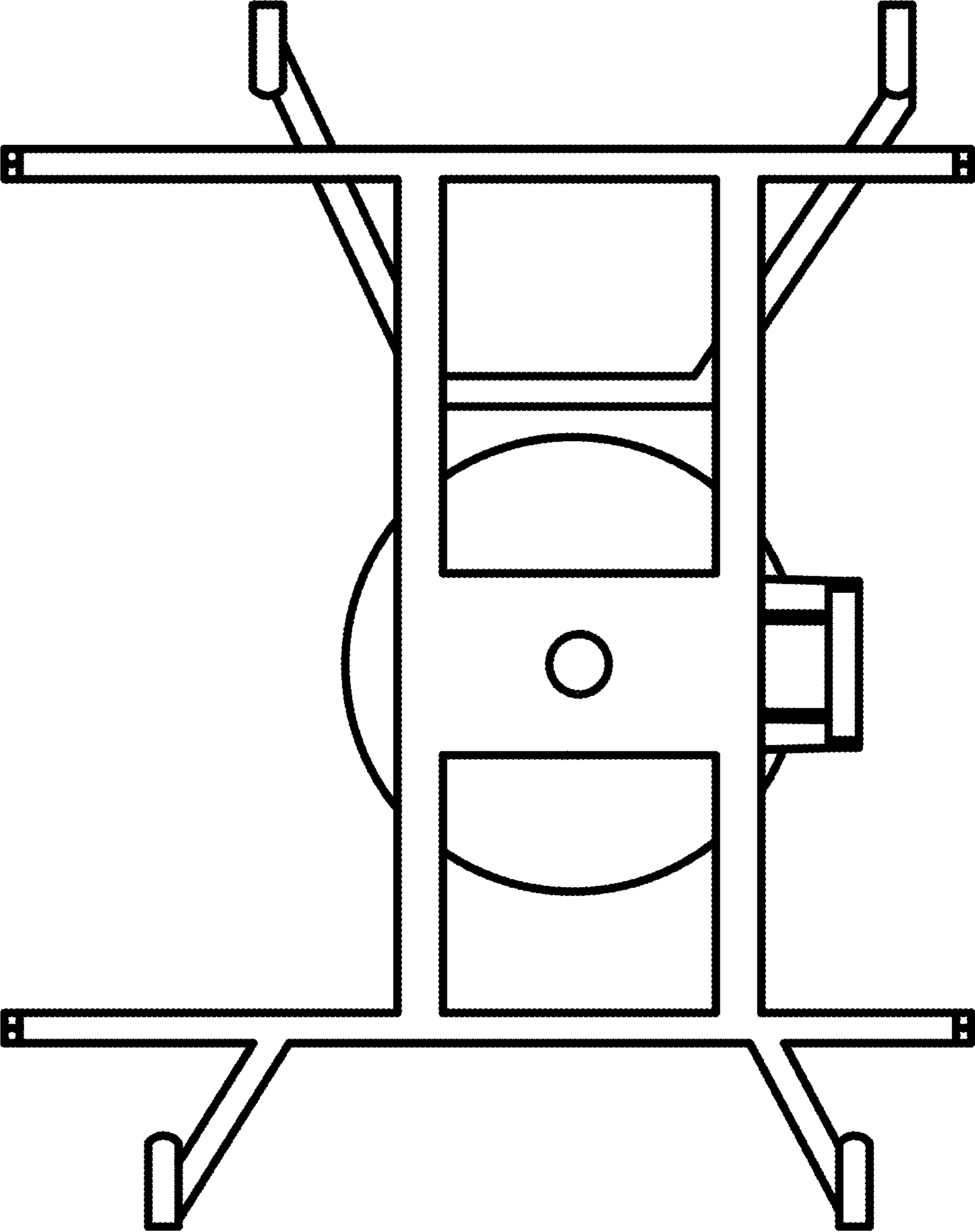


FIG. 4

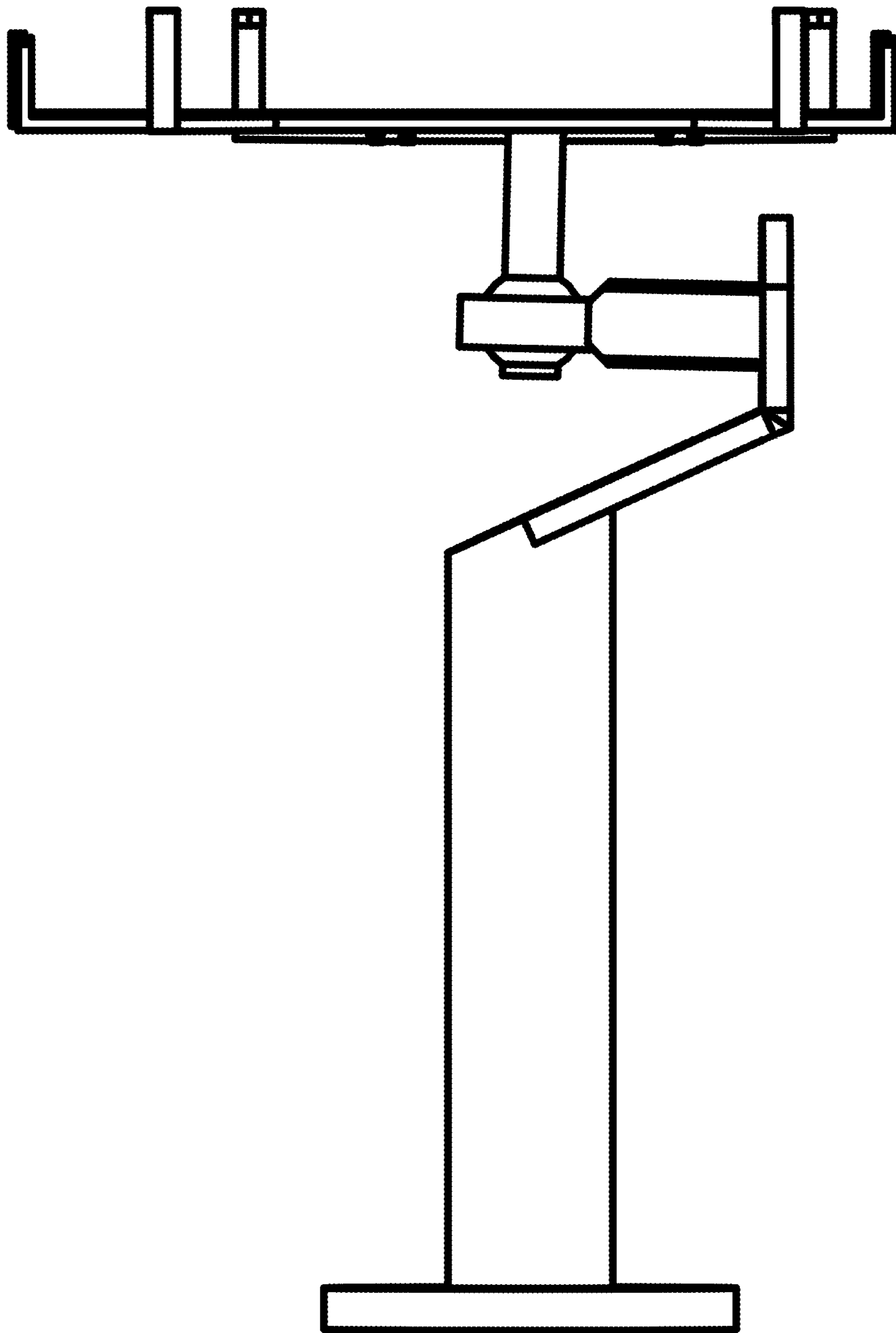


FIG. 5

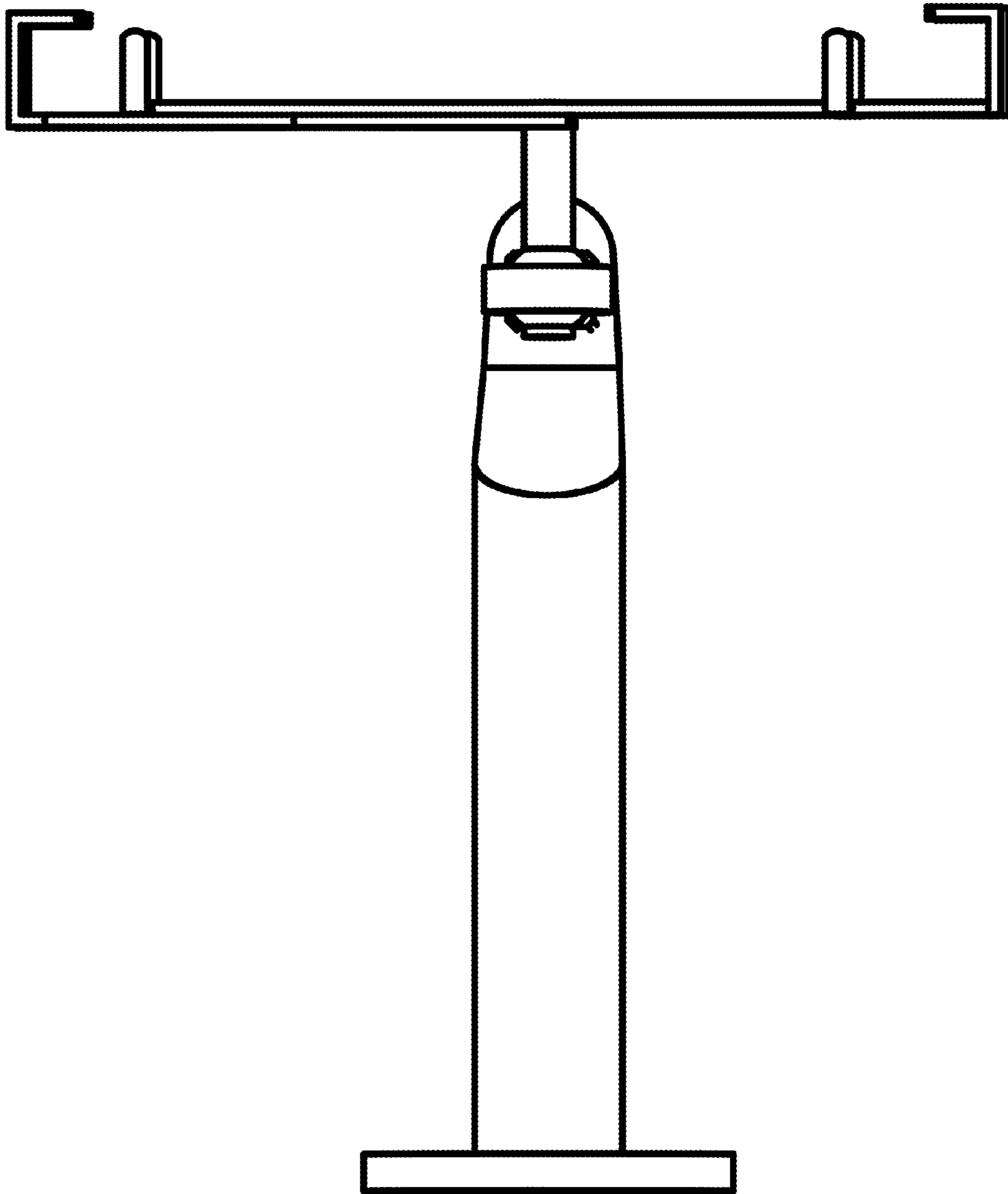


FIG. 6